

One Year Check



Check Name : Power harrows

Date : 01.02.2019

Machine ID : _____

Hectares worked : _____

Delivery date : _____

E-mail inspector : _____

For more detailed information regarding the checkpoints below, please check the operation manual or service manual.

1) Frame & Shielding's

1.1) Visual inspection of the main frame (wearing/damages)

OK

N/A

Remarks :

1.2) Inspection condition/efficiency of all safety guards/device

OK

N/A

Remarks :

1.3) Lubricate all pivot points at the machine

OK

N/A

Remarks :

2) B) PTO Drive Shaft

2.1) Inspection of PTO shaft and protection guard (wearing/damages)

OK

N/A

Remarks :

2.2) Inspection of tolerances at the cardan joints

OK

N/A

Remarks :

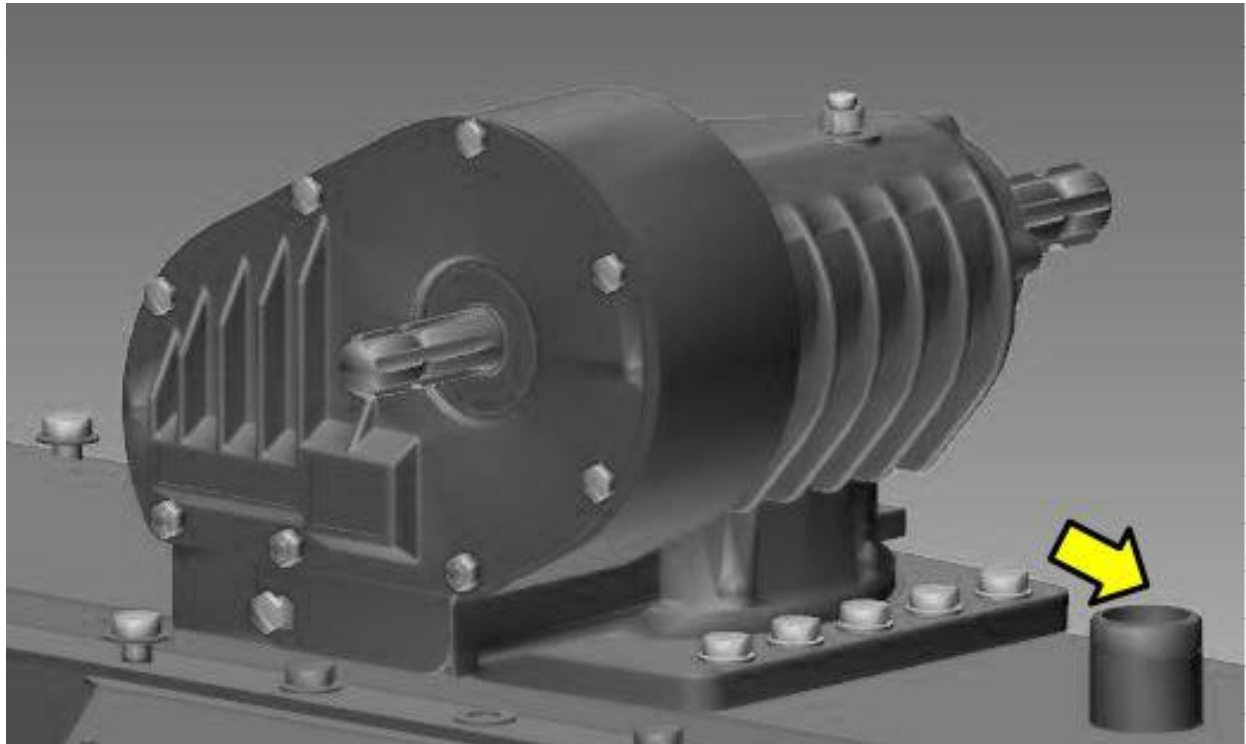
3) C) Gearbox

3.1) Inspection of the oil level in the gearbox(-es)

OK

N/A

Remarks : _____



3.2) Random sample of bolt torques - operation manual

OK

N/A

Remarks : _____

4) D) Transmission

4.1) Inspection of the transmission grease level in the trough and leakages

OK

N/A

Remarks : _____

5) Electric system

5.1) Make sure that all cables are fixed and not touching rotating components

OK

N/A

Remarks : _____

6) F) Hydraulic system

6.1) Inspection of hydraulic hoses and cylinders for leakages

OK

N/A

Remarks : _____

7) G) Suspension and Brakes

7.1) -- Please change description text --

OK

N/A

Remarks : _____

8) H) Optional Equipment

8.1) -- Please change description text -- OK N/A

Remarks : _____

9) I) Lighting system

9.1) Inspect the lightning equipment OK N/A

Remarks : _____

10) J) Machine / Product

10.1) Visual inspection of tines (wearing/damages) OK N/A

Remarks : _____

10.2) Inspection of roller (Roller bearings and scraper blades) OK N/A

Remarks : _____

11) K) Technical Documentation & Equipment

11.1) Check if all documets and tools are still at the machine OK N/A

Remarks : _____

12) K) Miscellaneous

12.1) Has a service/maintenance been carried out on the product? OK N/A

Remarks : _____

Other remarks

Minimum 2 pictures are required for the check to be approved.