

140
1879
2019

The Future of Farming

ASI – Enduro / CU3001

Enduro MR – Enduro Pro MR / CU3001 – CU3001P

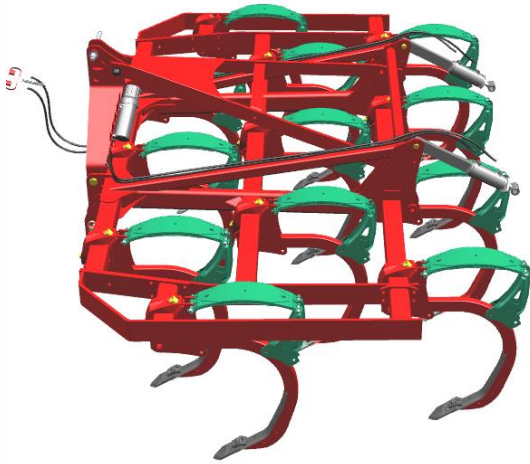
July 2020

Table of contents

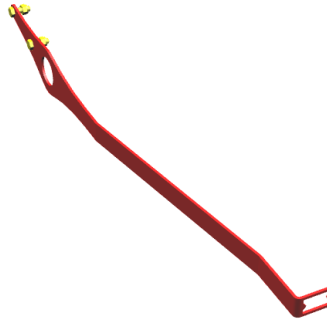
1)	<u>Enduro Pro / CU 3001 P</u>	
a)	Before assembly	3
b)	Unpacking	4-6
c)	Assembly rear accessories	7-8
d)	Assembly hydraulic extension	9
e)	Assembly lighting	10
2)	<u>Enduro /CU 3001</u>	
a)	Before assembly	11
b)	Unpacking	12-14
c)	Assembly rear accessories	15
d)	Assembly hydraulic extension	16
e)	Assembly lighting	17
3)	Tightening torques table	18

1) Enduro Pro – CU 3001 P

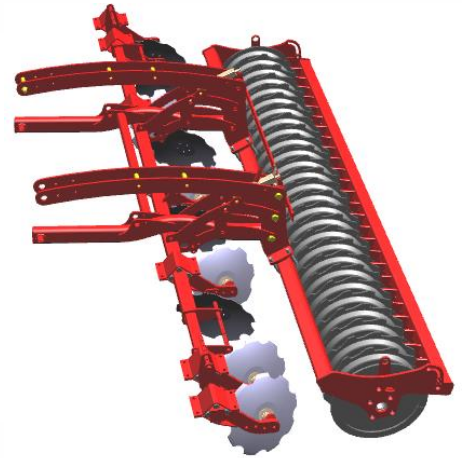
a) Before assembly



Frame assembly



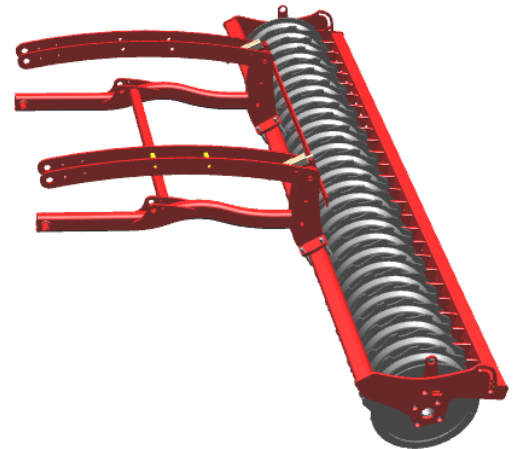
Lever



**Rear accessory (with
levelling equipment)**



Support lever

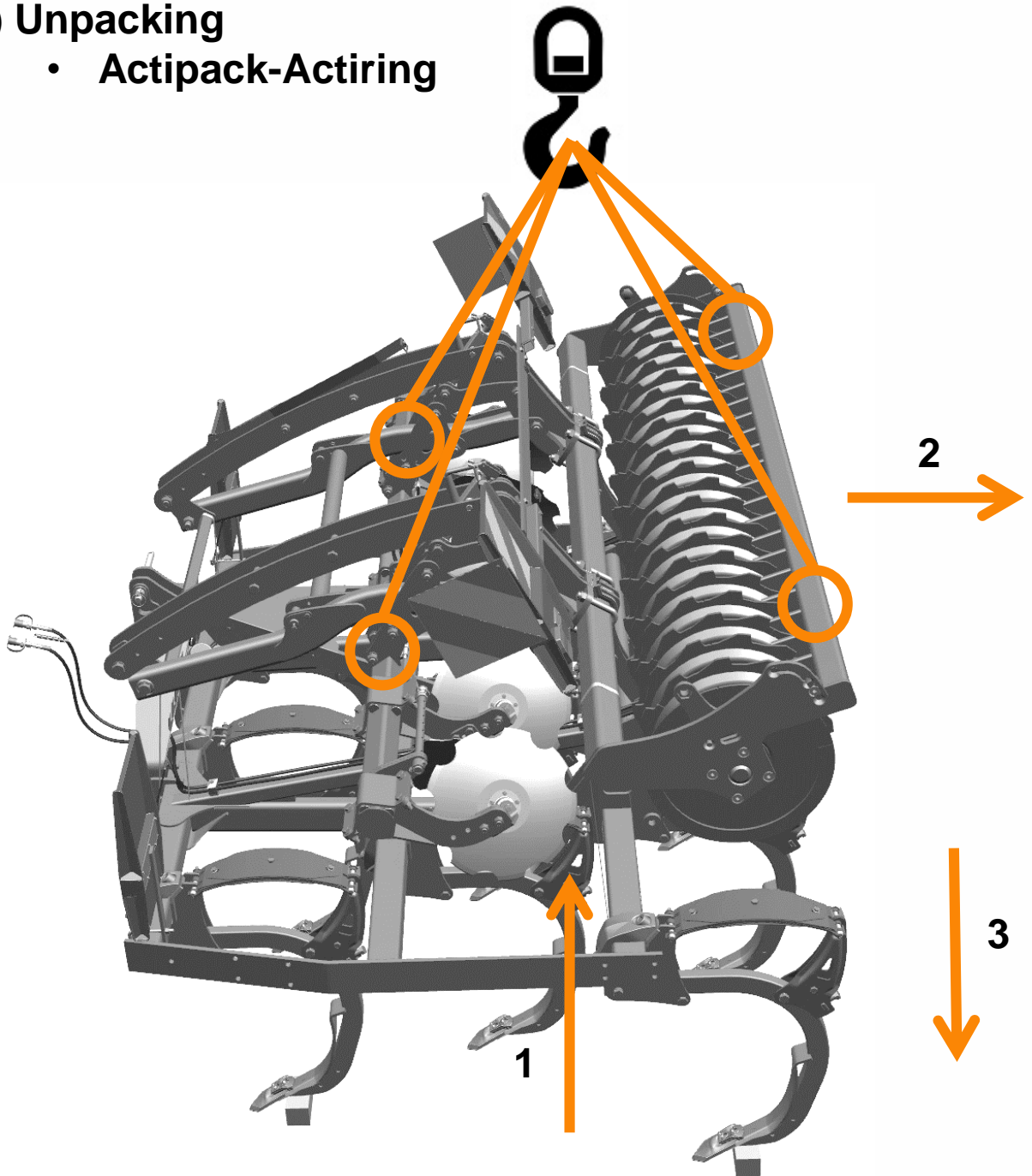


**Rear accessory (without
levelling equipment)**

1) Enduro Pro – CU 3001 P

b) Unpacking

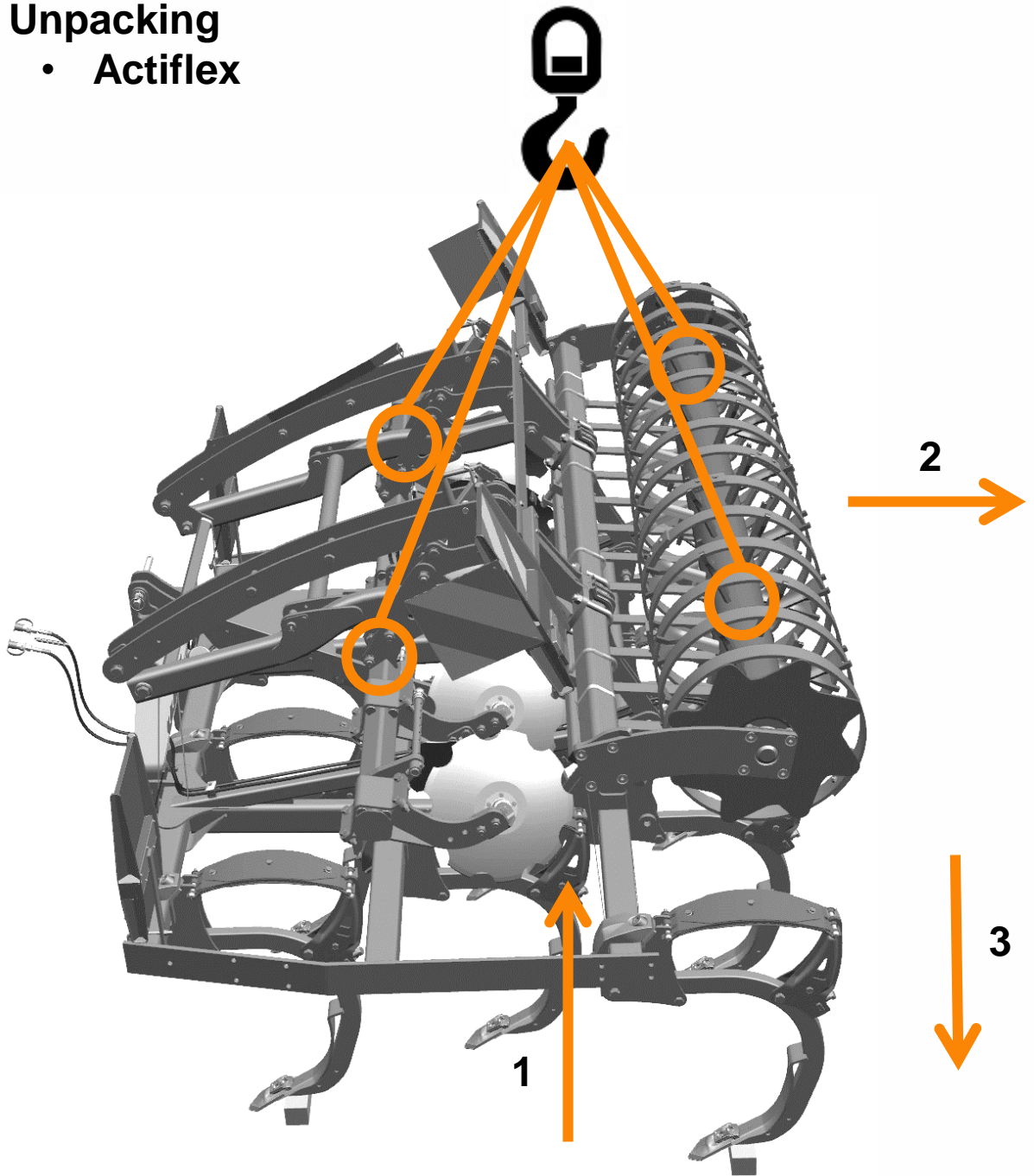
- Actipack-Actiring



1) Enduro Pro – CU 3001 P

b) Unpacking

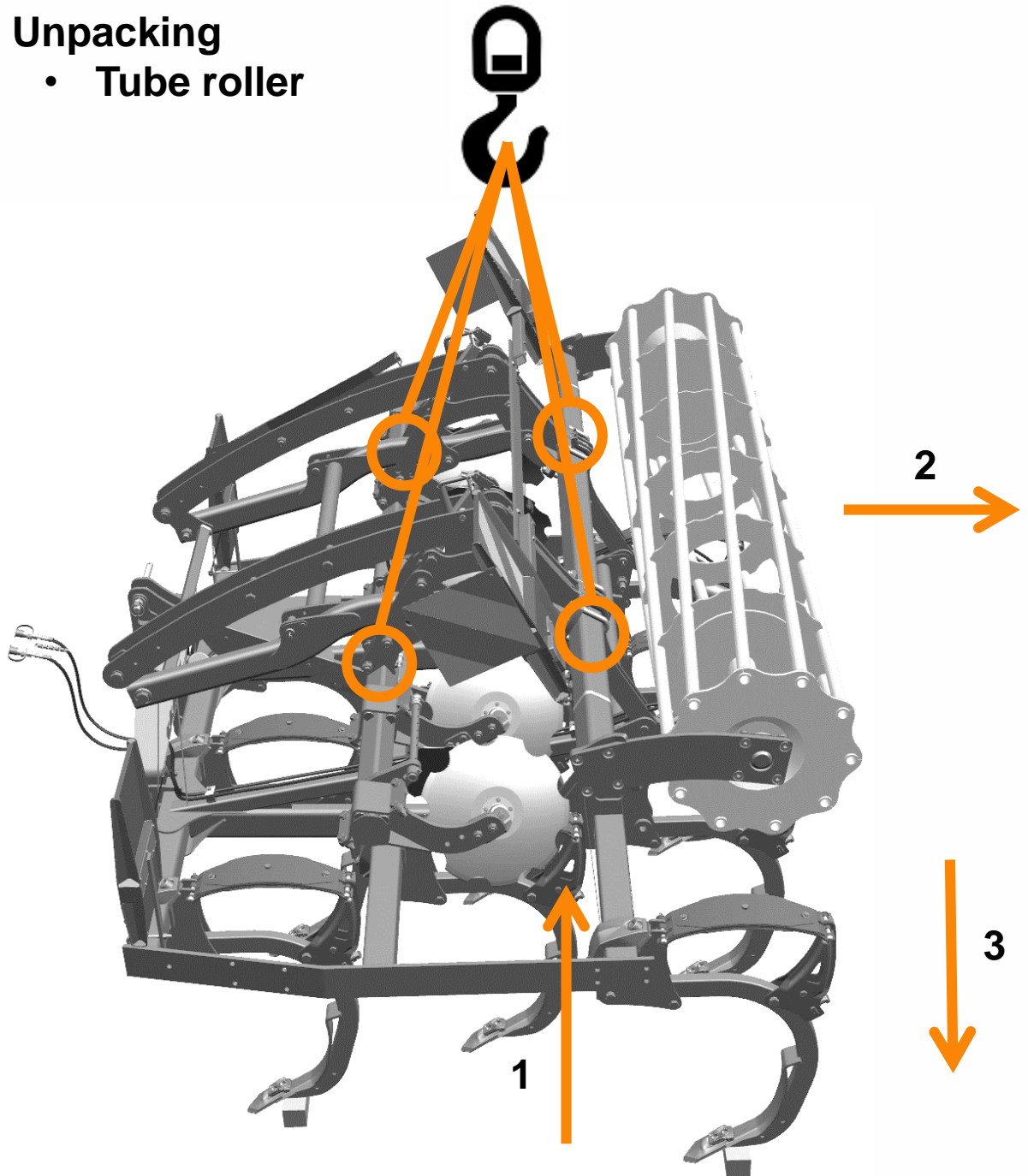
- Actiflex



1) Enduro Pro – CU 3001 P

b) Unpacking

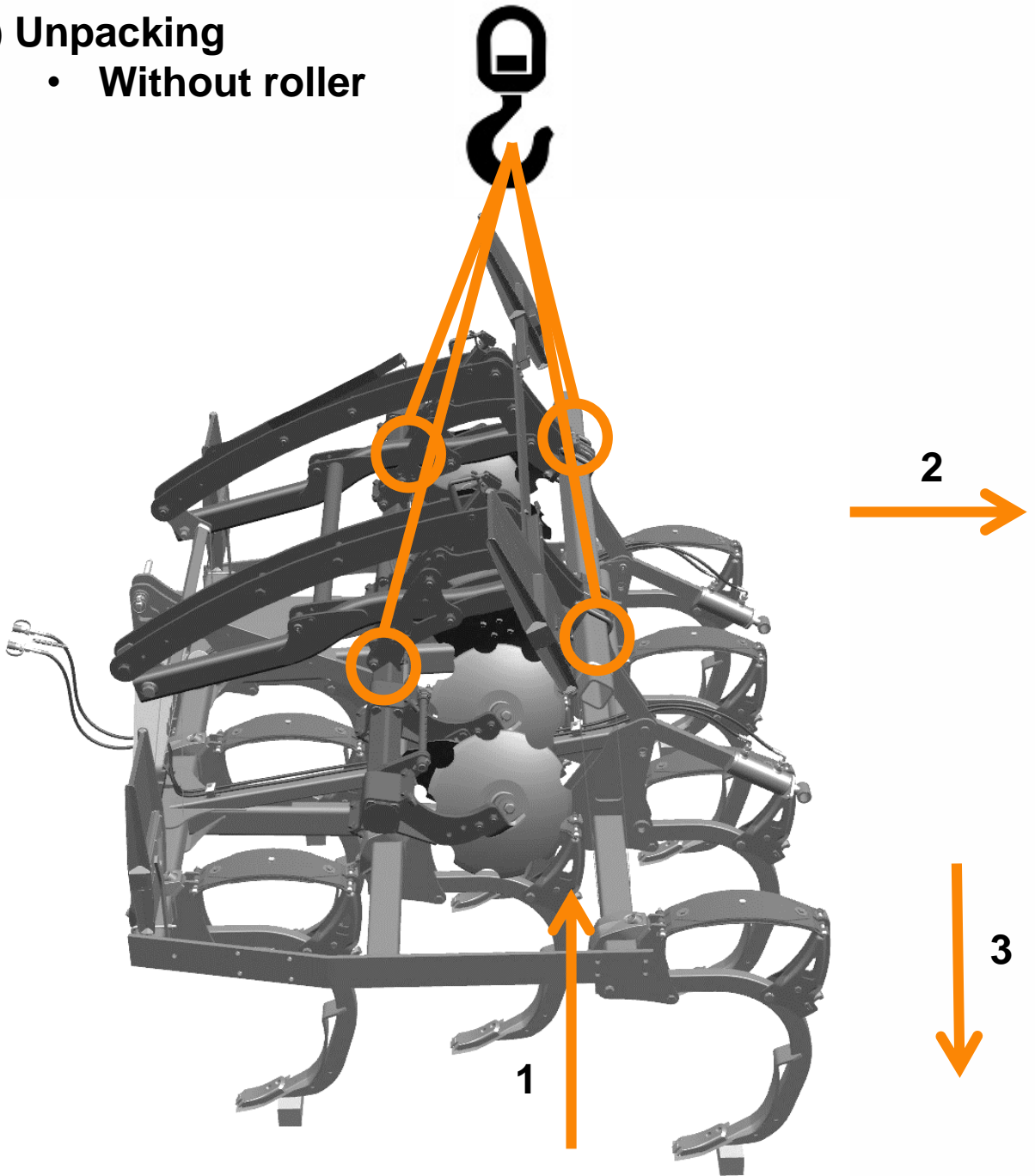
- Tube roller



1) Enduro Pro – CU 3001 P

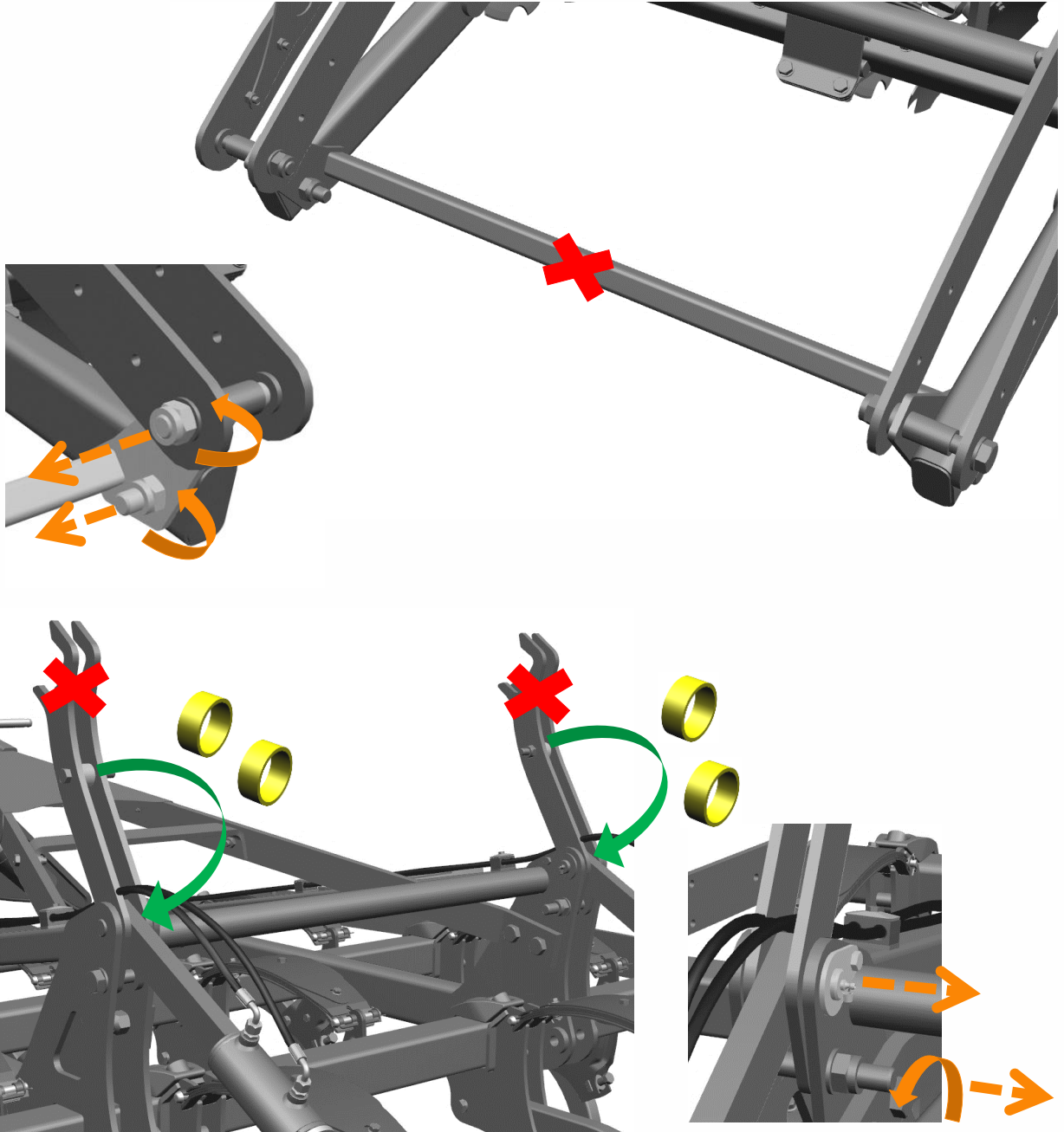
b) Unpacking

- Without roller



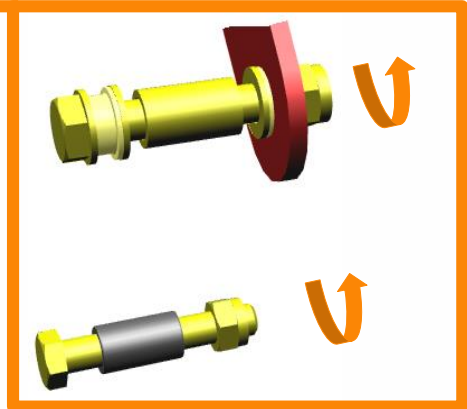
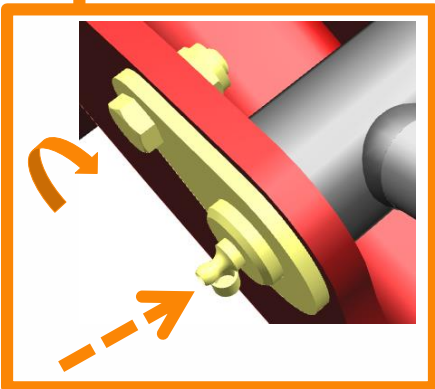
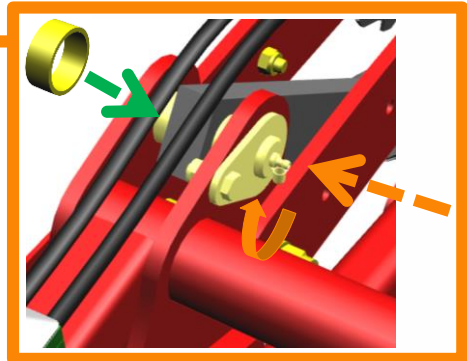
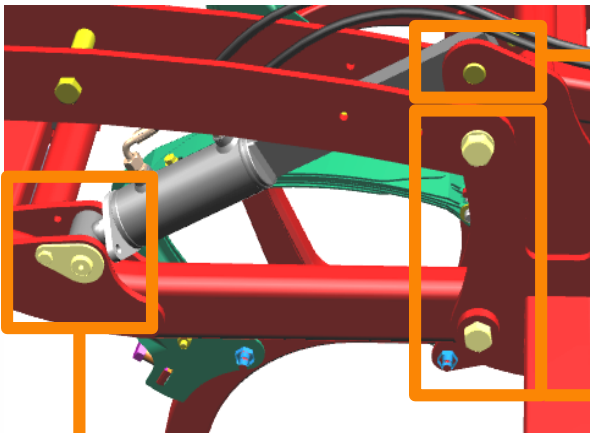
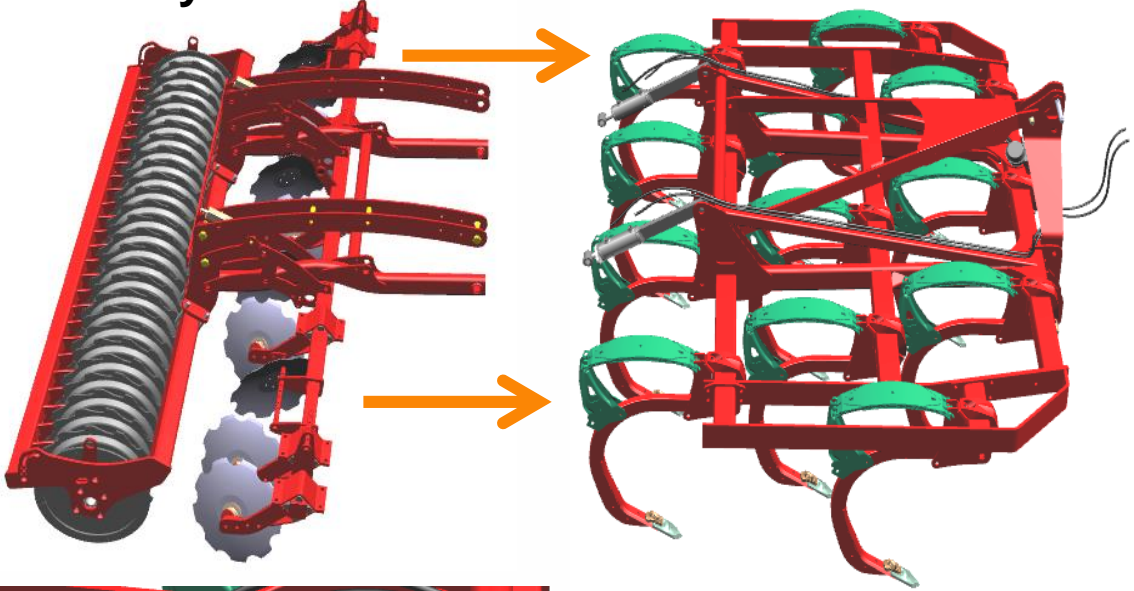
1) Enduro Pro – CU 3001 P

b) Unpacking



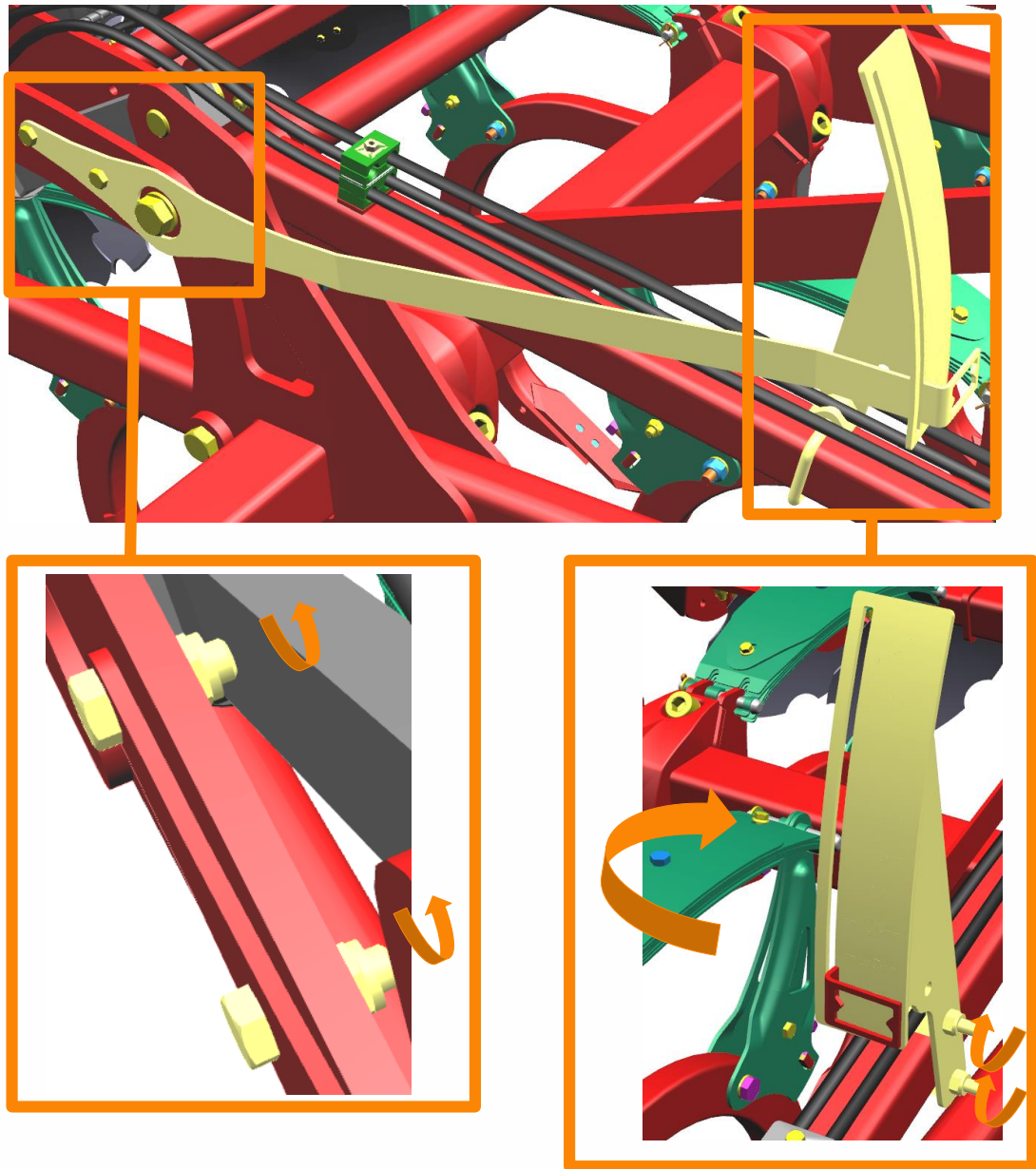
1) Enduro Pro – CU 3001 P

c) Assembly rear accessories



1) Enduro Pro – CU 3001 P

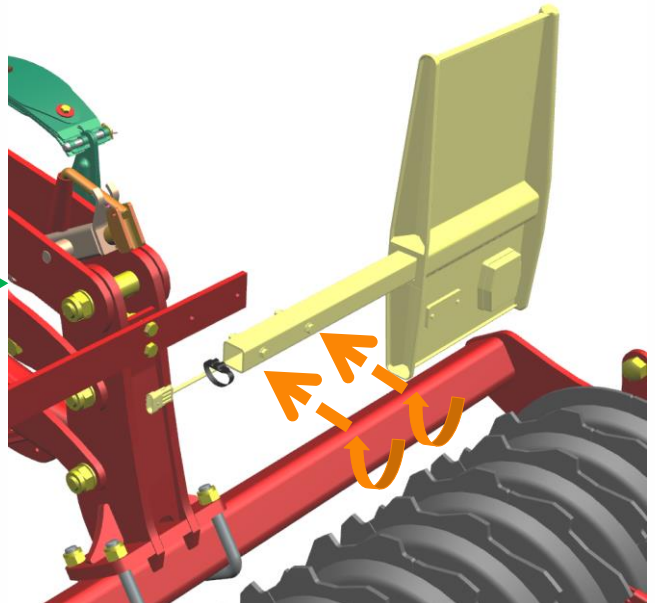
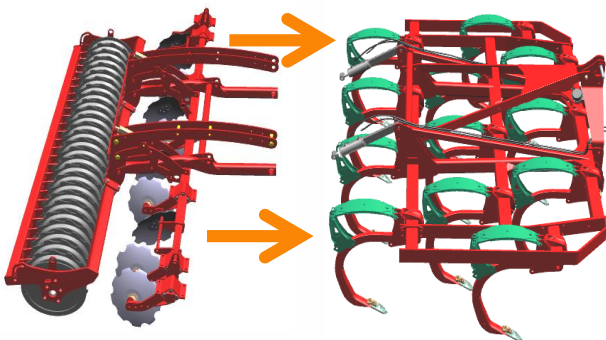
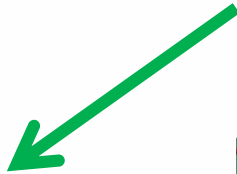
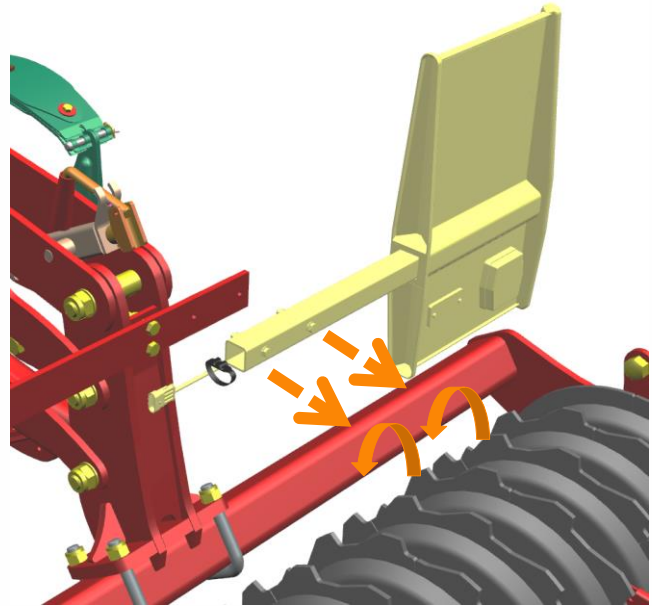
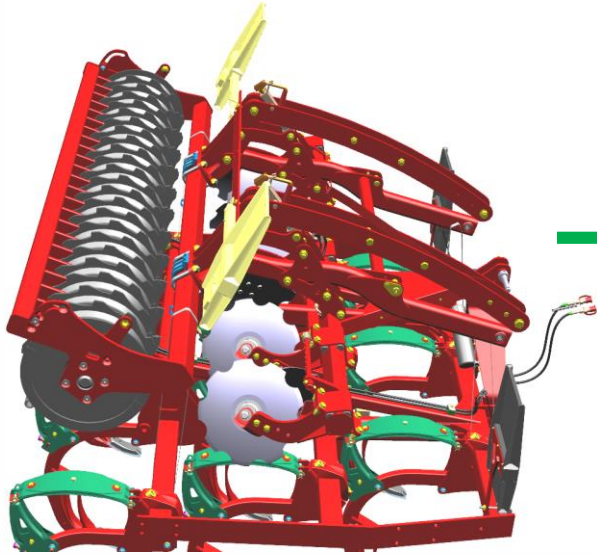
c) Assembly rear accessories



1) Enduro Pro – CU 3001 P

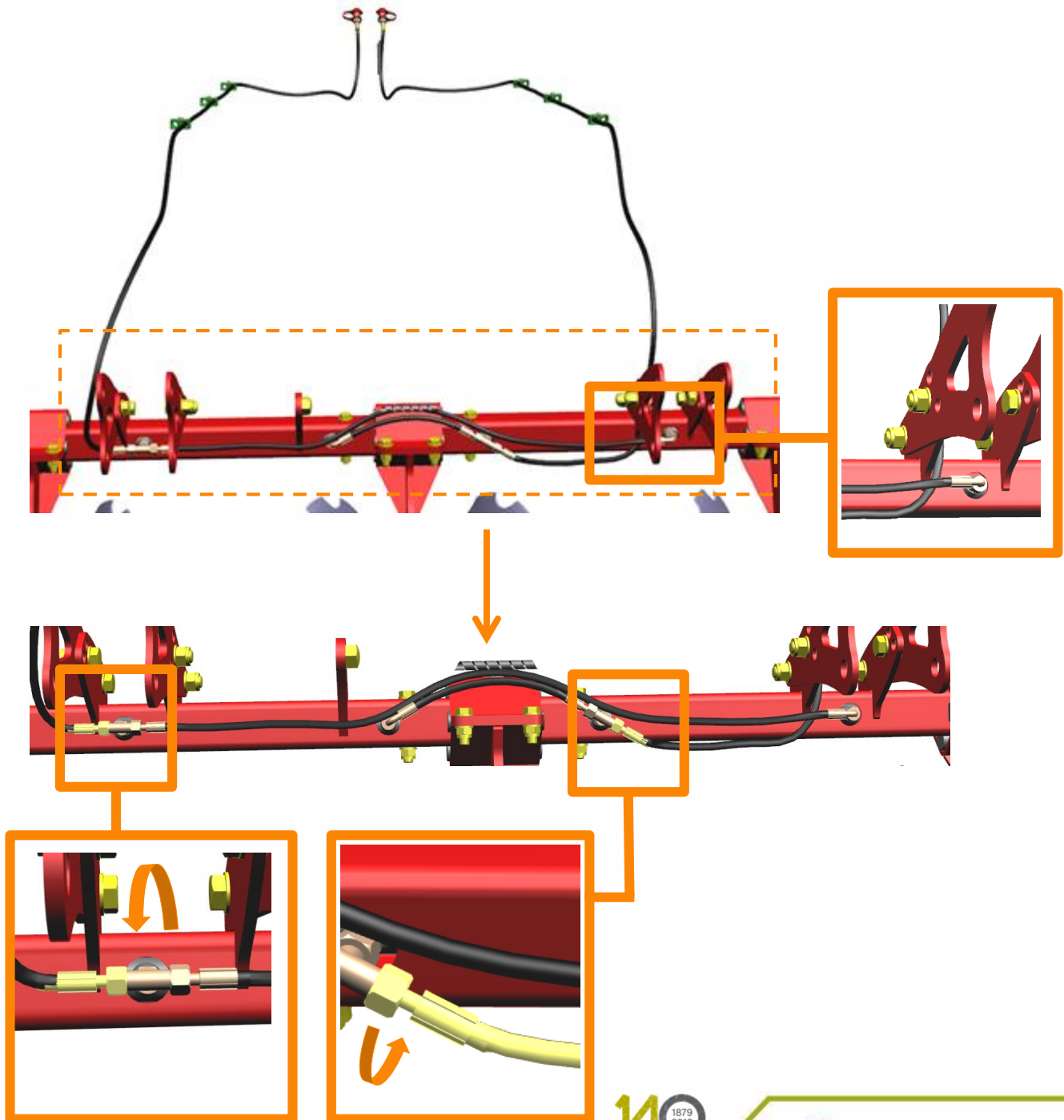
c) Assembly rear accessories

- Signalisation



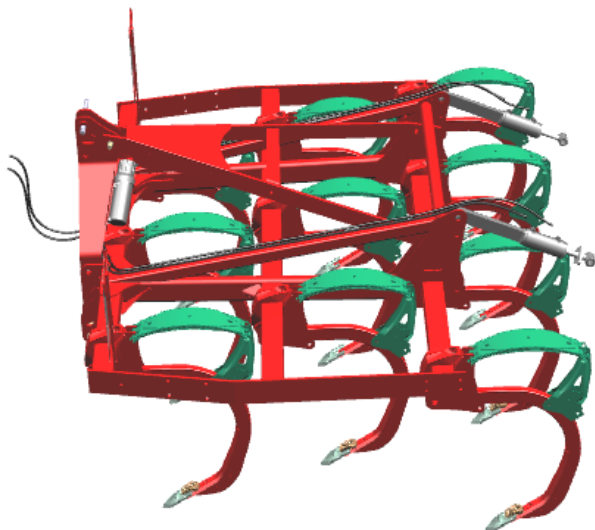
1) Enduro Pro – CU 3001 P

d) Assembly hydraulic extension

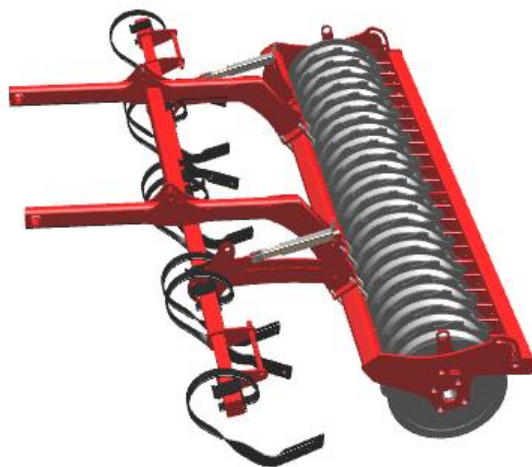


2) Enduro – CU 3001

a) Before assembly



Frame assembly



**Rear accessory (with
levelling equipment)**

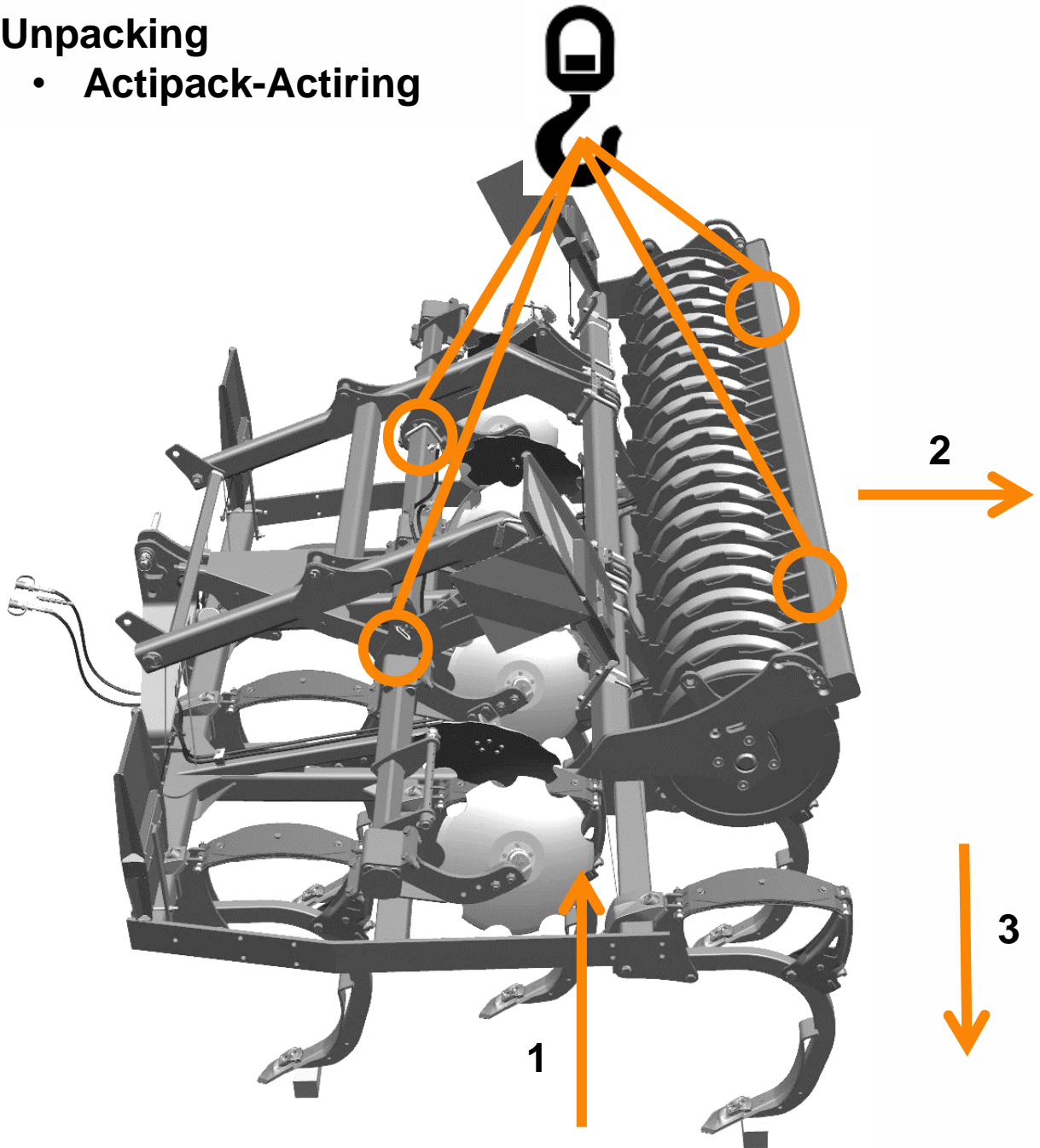


**Rear accessory (without
levelling equipment)**

2) Enduro – CU 3001

b) Unpacking

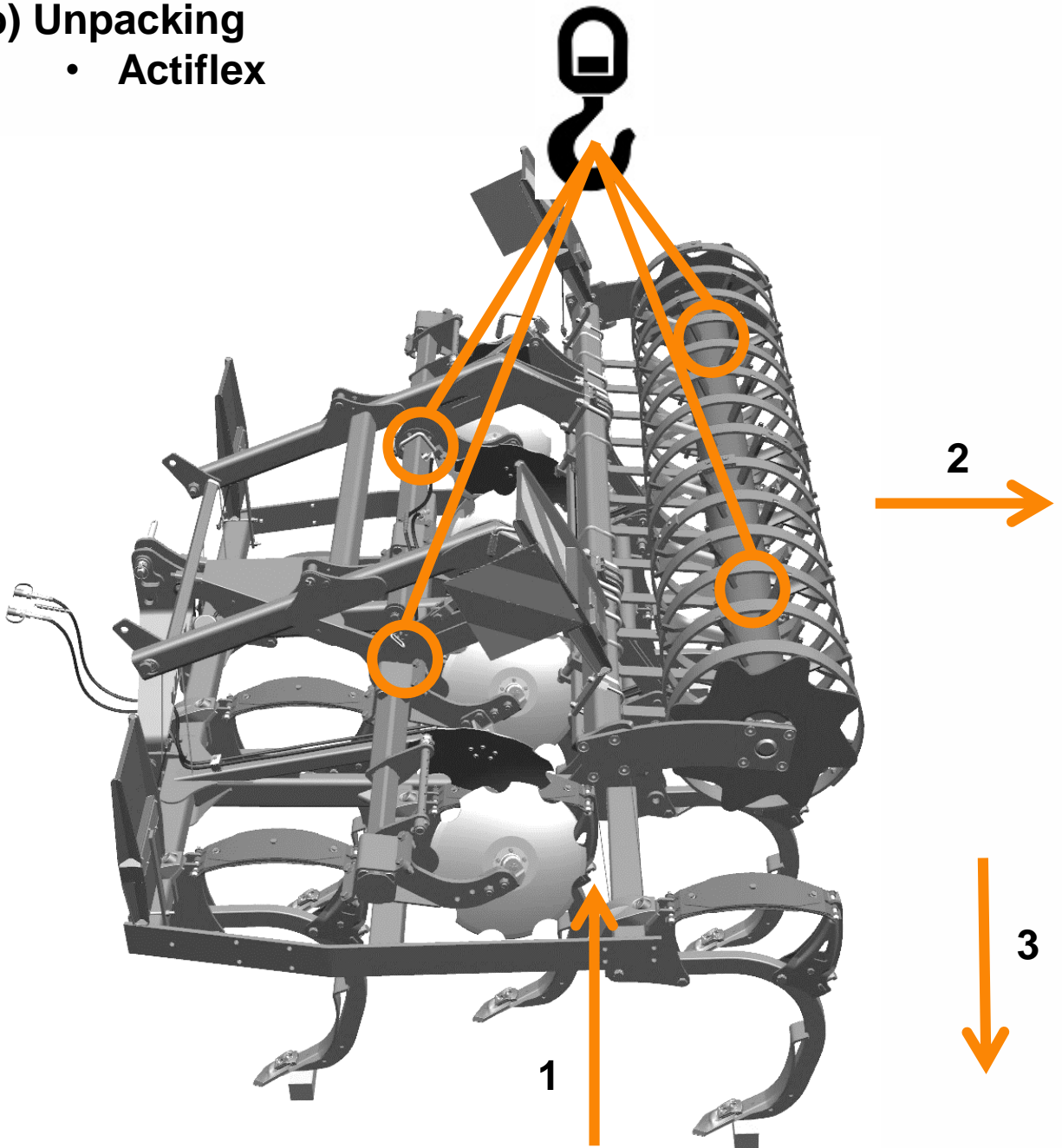
- Actipack-Actiring



2) Enduro – CU 3001

b) Unpacking

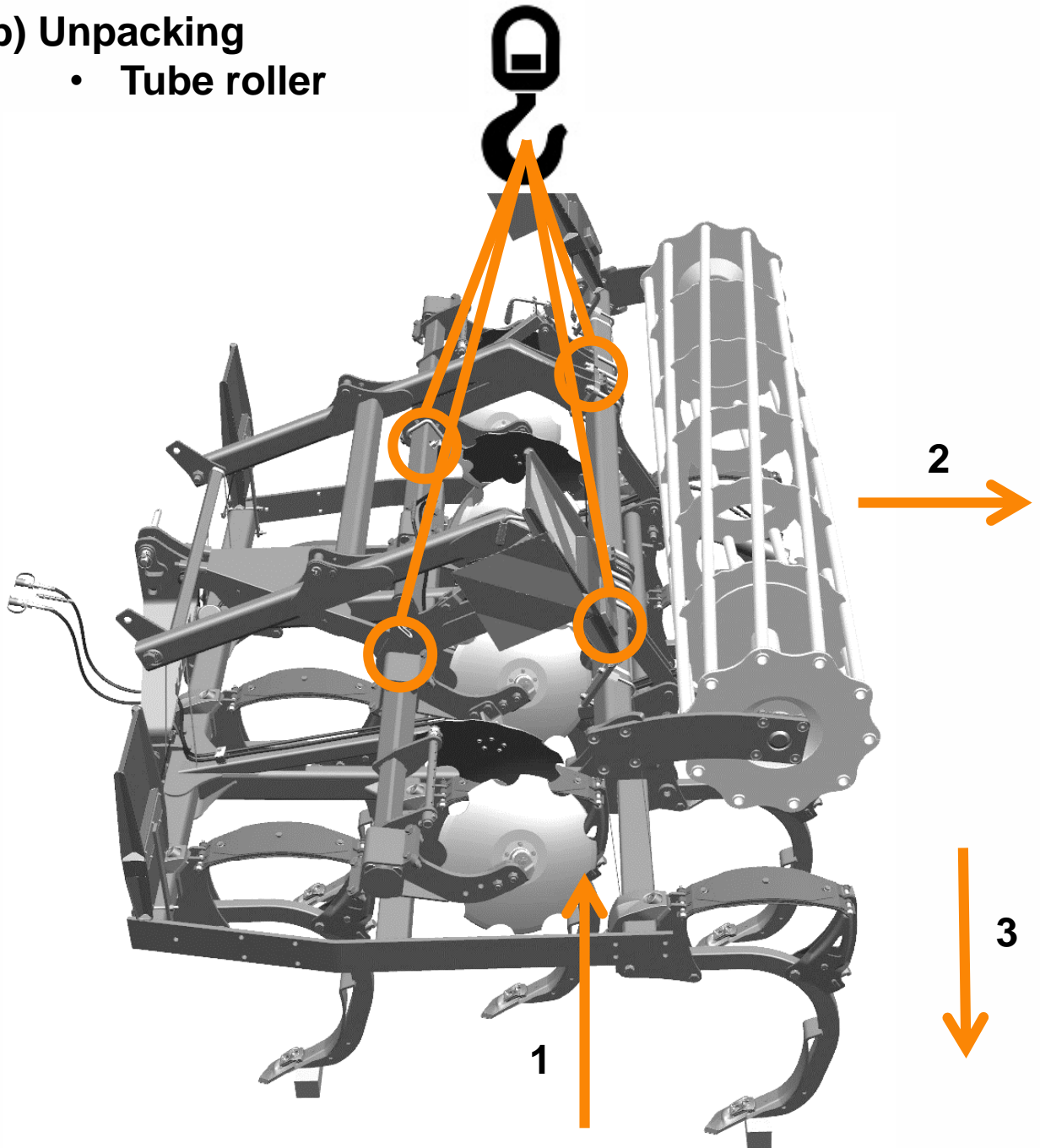
- Actiflex



2) Enduro – CU 3001

b) Unpacking

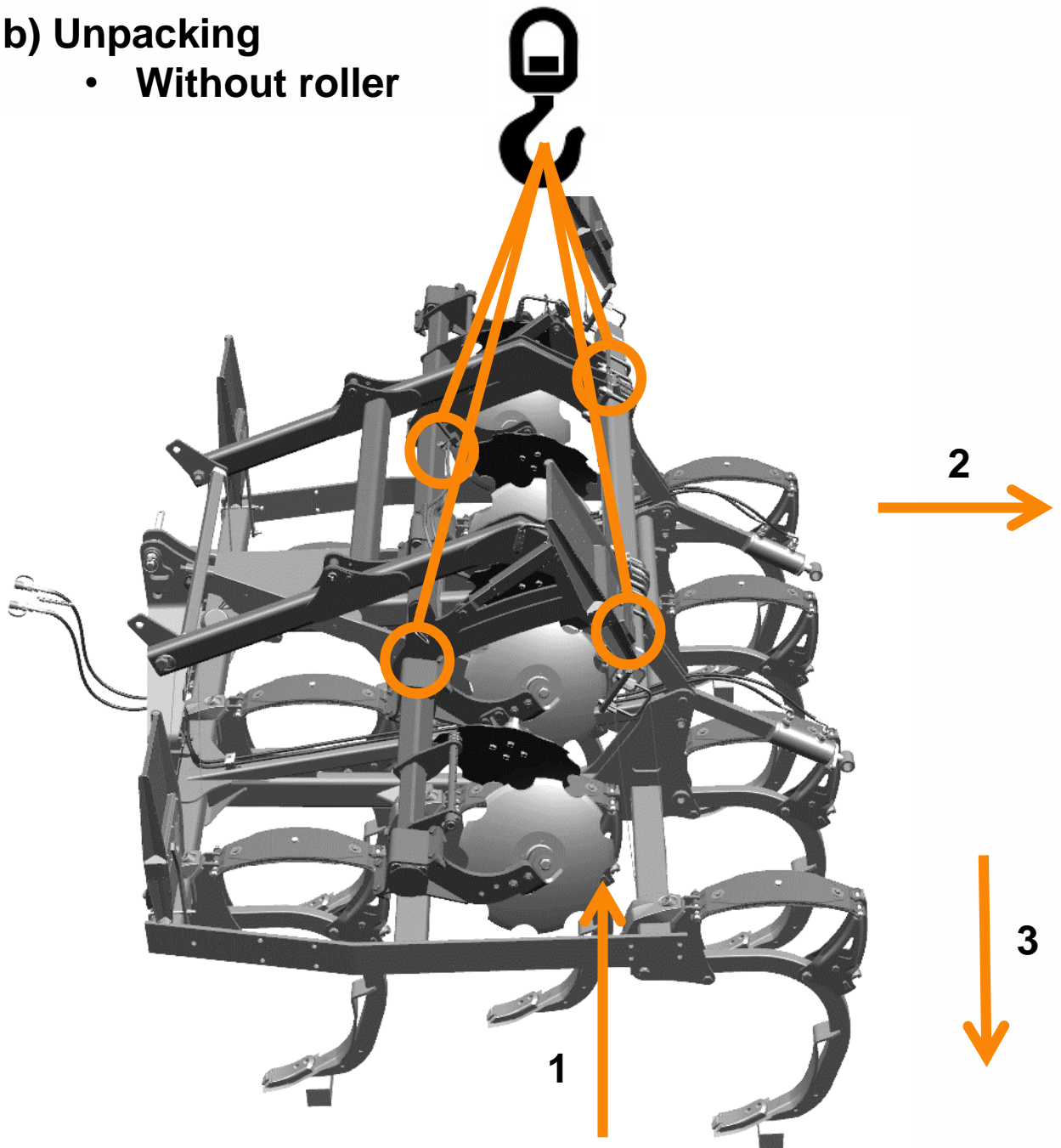
- Tube roller



2) Enduro – CU 3001

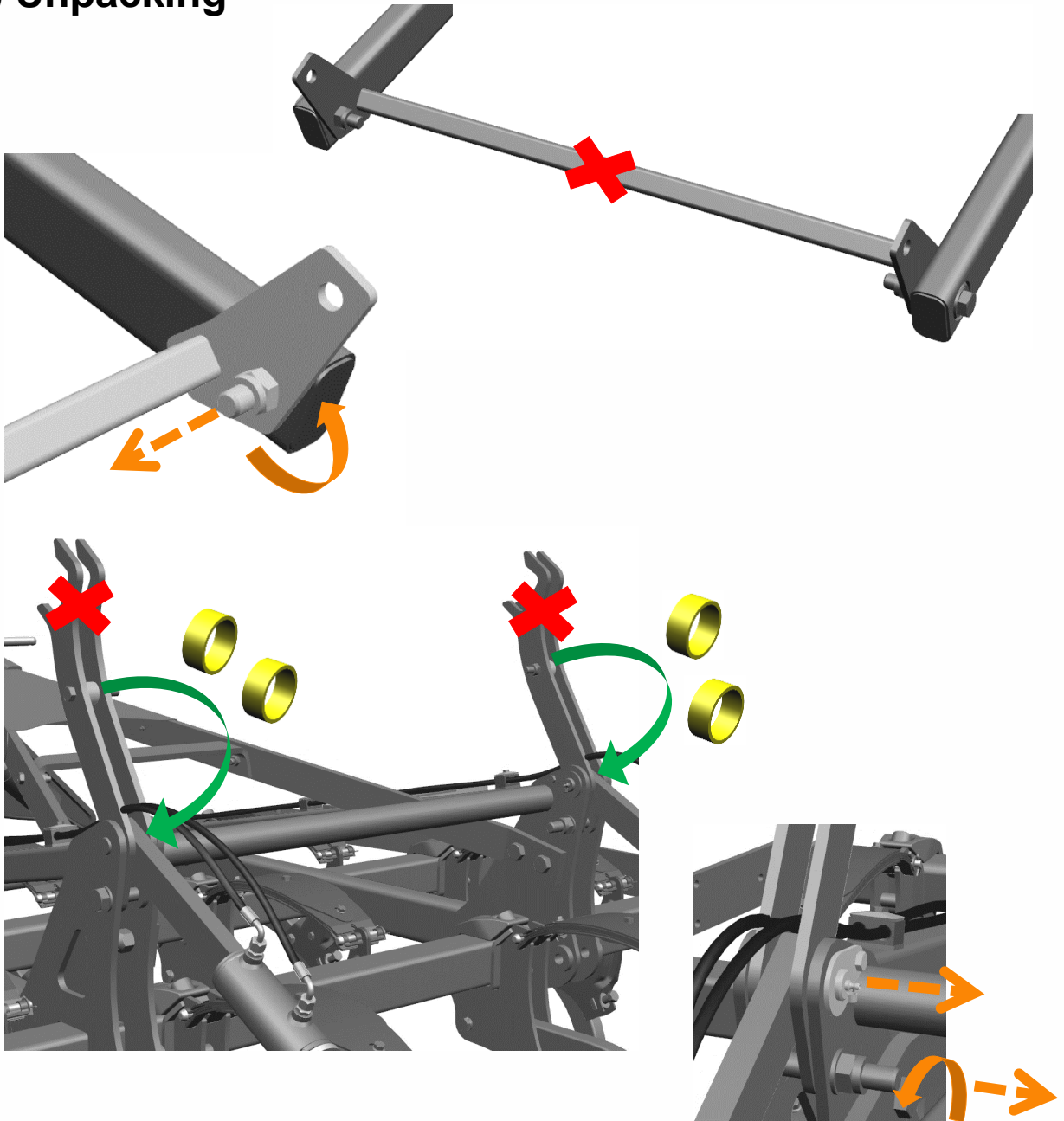
b) Unpacking

- Without roller



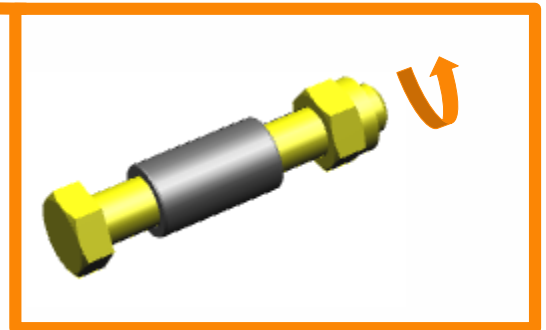
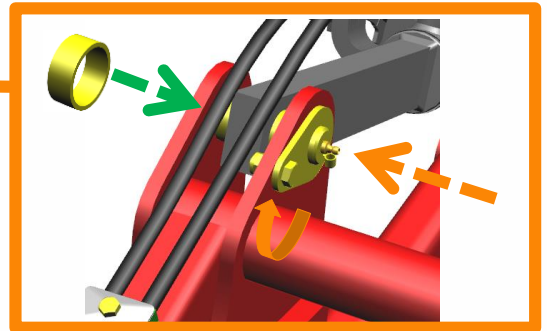
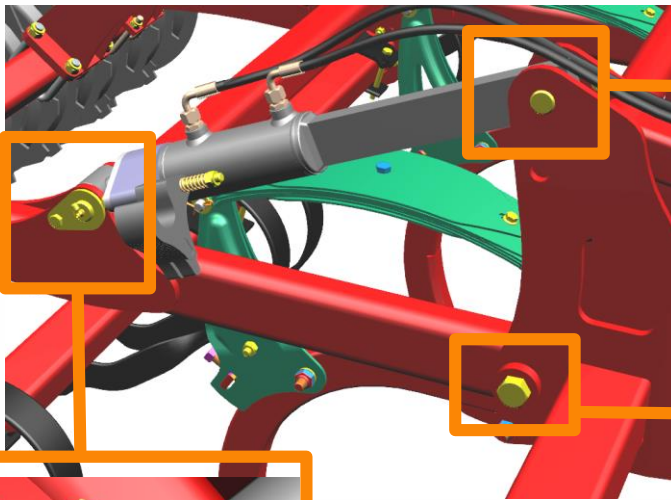
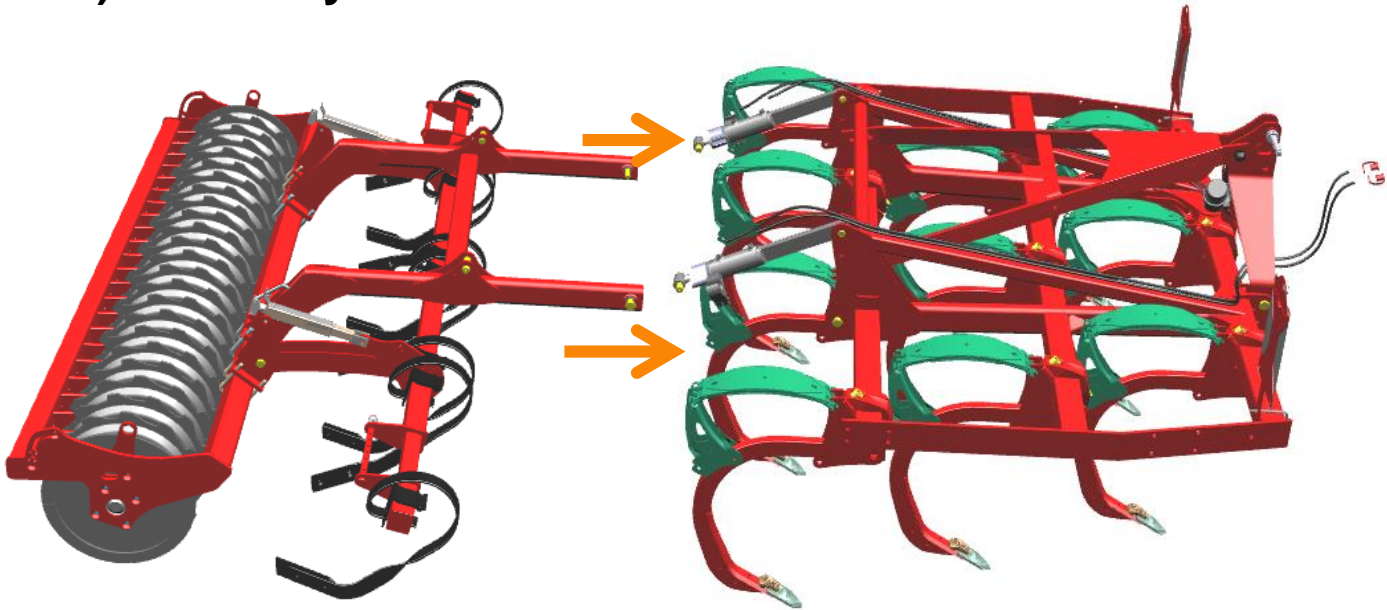
2) Enduro – CU 3001

b) Unpacking



2) Enduro – CU 3001

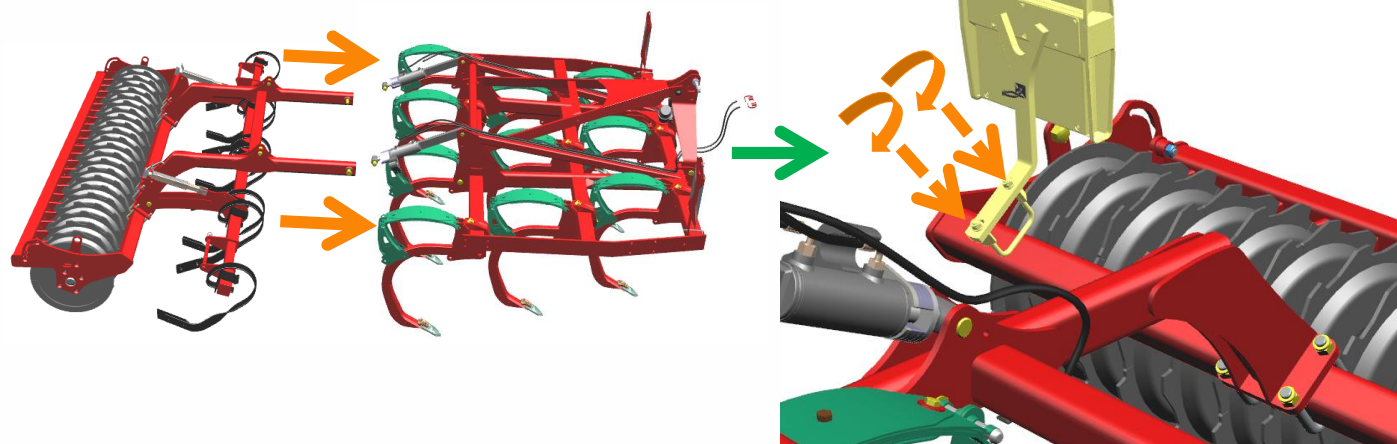
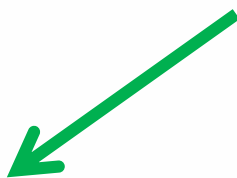
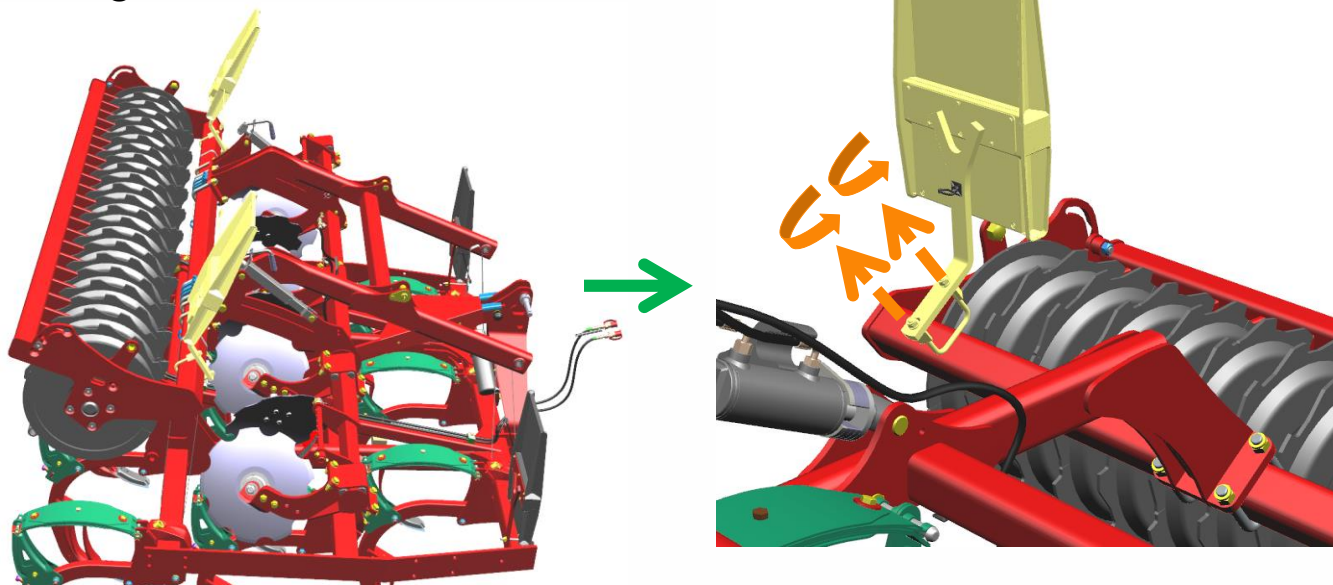
c) Assembly rear accessories



2) Enduro – CU 3001

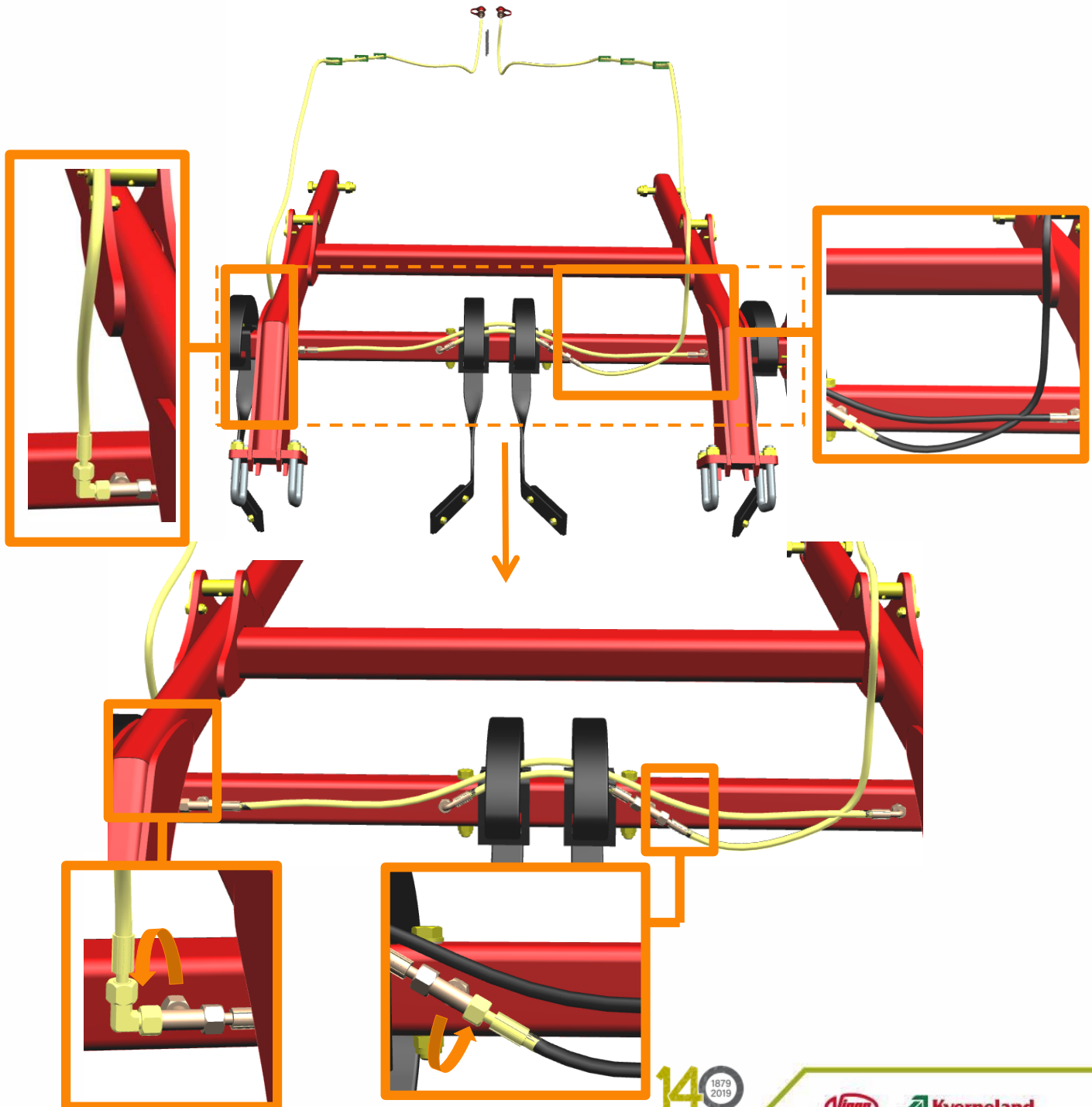
c) Assembly rear accessories

- Signalisation



2) Enduro – CU 3001

d) Assembly hydraulic extension



3) Tightening torques table

Diameter of screw (mm)	Quality 8.8	Quality 10.9	Quality 12.9
	N.m	N.m	N.m
3	1.41	2.07	2.43
4	3.22	4.74	5.5
5	6.4	9.4	11
6	11.1	16.3	19.1
8	27	39	46
10	53	78	92
12	92	136	159
14	148	218	255
16	232	341	399
18	330	469	549
20	471	667	781
22	648	920	1077
24	809	1148	1343
27	1201	1706	1997
30	1628	2311	2704
33	2216	3148	3684
36	2840	4036	4723
39	3697	5255	6150