

# McHale 994BS



QUALITY

I.S. EN ISO 9001:2008

**NSAI Certified**



## 994BS Spare Parts Book

McHale,  
Ballinrobe,  
Co. Mayo, Ireland.

Tel: +353 94 9520300

Fax: +353 94 9520356

Email: [sales@mchale.net](mailto:sales@mchale.net)

Website: [www.mchale.net](http://www.mchale.net)

---

This page is intentionally left blank

---

## Introduction

---

The **McHale 994BS** which you have purchased has been developed through years of constant research and development. Given proper care and attention the **994BS** will give years of reliable and dependable performance. However it is important that the operators manual is read and fully understood to achieve this, **before** the machine is operated. As part of this philosophy it is vital to use only **genuine McHale** replacement parts, as these are manufactured to the same high standard as the original machine. These may be obtained through your **McHale** dealer.

If any part of this manual is not fully understood, please contact your **McHale** dealer who will be able to answer any questions or queries that you might have. It is important to quote the machine serial number when requiring spare parts or technical assistance. Space is provided below to record the machine details:

<b>Serial number:</b>	
<b>Year of manufacture:</b>	
<b>Date of delivery:</b>	

If you require further copies of this spare parts manual please  
quote part number CLT00565

**Note:** Parts described as left and right are done so according to the direction that the machine normally travels in.

**Note:** Due to a policy of continuous product development and improvement *McHale Engineering* reserve the right to alter machine specifications without prior notice.

---

# Contents

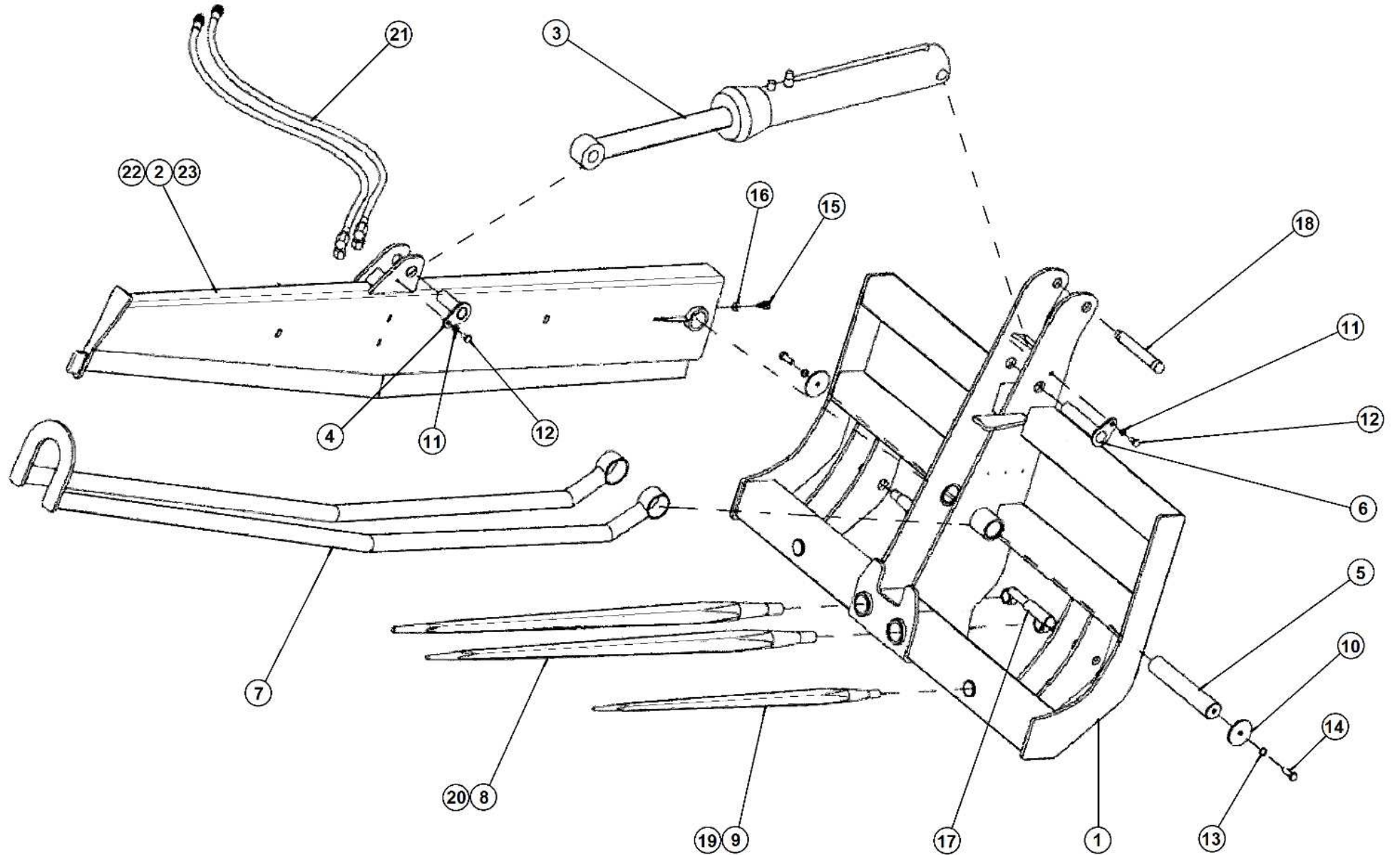
---

Section	Page No	Document No	Section	Page No	Document No
<b>994BS</b>					
BALE SPLITTER (027)	6	SPD00027			
DECALS (28)	8	SPD00028			

---

This page is intentionally left blank

# **BALE SPLITTER (027)**



No.	Part No	Description	Qty
1	ABS00001	BALE SPLITTER FRAME	1
2	ABS00002	BALE SPLITTER KNIFE 4	1
2	ABS00008	BALE SPLITTER KNIFE 5	1
3	CRA00060	BALE SPLITTER RAM	1
3	CSE00015	RAM SEALING KIT	1
3	CRA10060	RAM PISTON	1
4	ABS00007	PIN 30 X 90 WELD LUG	1
5	CMH00144	PIN 45 X 248 2 X M12 THREADS	1
6	ABS00010	BALE SPLITTER PIN RAM TO FRAME	1
7	ABS00003	BALE SPLITTER GUARD 4	1
<i>FOR 4FT (1220MM) KNIFE</i>			
7	ABS00009	BALE SPLITTER GUARD 5	1
<i>FOR 5FT (1520MM) KNIFE</i>			
8	CTN00001	TINE 48 STONE FORK KVERNELAND	2
9	CTN00003	TINE 32 STRAIGHT SPLITTER	1
10	CZE00115	BALE SPLITTER WASHER	2
11	CFA00137	WASHER SPRING 10MM HD Z/P	2
12	CFA00023	SETSCREW M10 X 20 Z/P	2
13	CFA00207	WASHER SPRING 12MM Z/P	2
14	CFA00033	SETSCREW M12 X 35 Z/P	2
15	CMH00065	BOLT M12 X 25 M6 CENTRE HOLE	1
16	CFA00125	NUT M12 Z/P	1
17	CMH00160	PIN 28 X 197 STEPPED	2
18	CMH00159	PIN 28X 180 STEPPED	1
19	CFA00238	NUT TINE M22 STONE FORK	1
20	CFA00225	NUT TINE HEAVY DUTY KEV	2
21	CHY00019	HYDRAULIC HOSE KIT	1
<i>INCLUDES 2 HOSES WITH QUICK-RELEASES</i>			
22	CKN00008	REPLACEMENT BLADE 4	1
<i>FOR 4FT (1220MM) KNIFE</i>			
23	CKN00009	REPLACEMENT BLADE 5	1
<i>FOR 5FT (1520MM) KNIFE</i>			
24	CST00003	DECAL KIT	1

No.	Part No	Description	Qty
-----	---------	-------------	-----

**DECALS (28)**

**McHale**

1



2

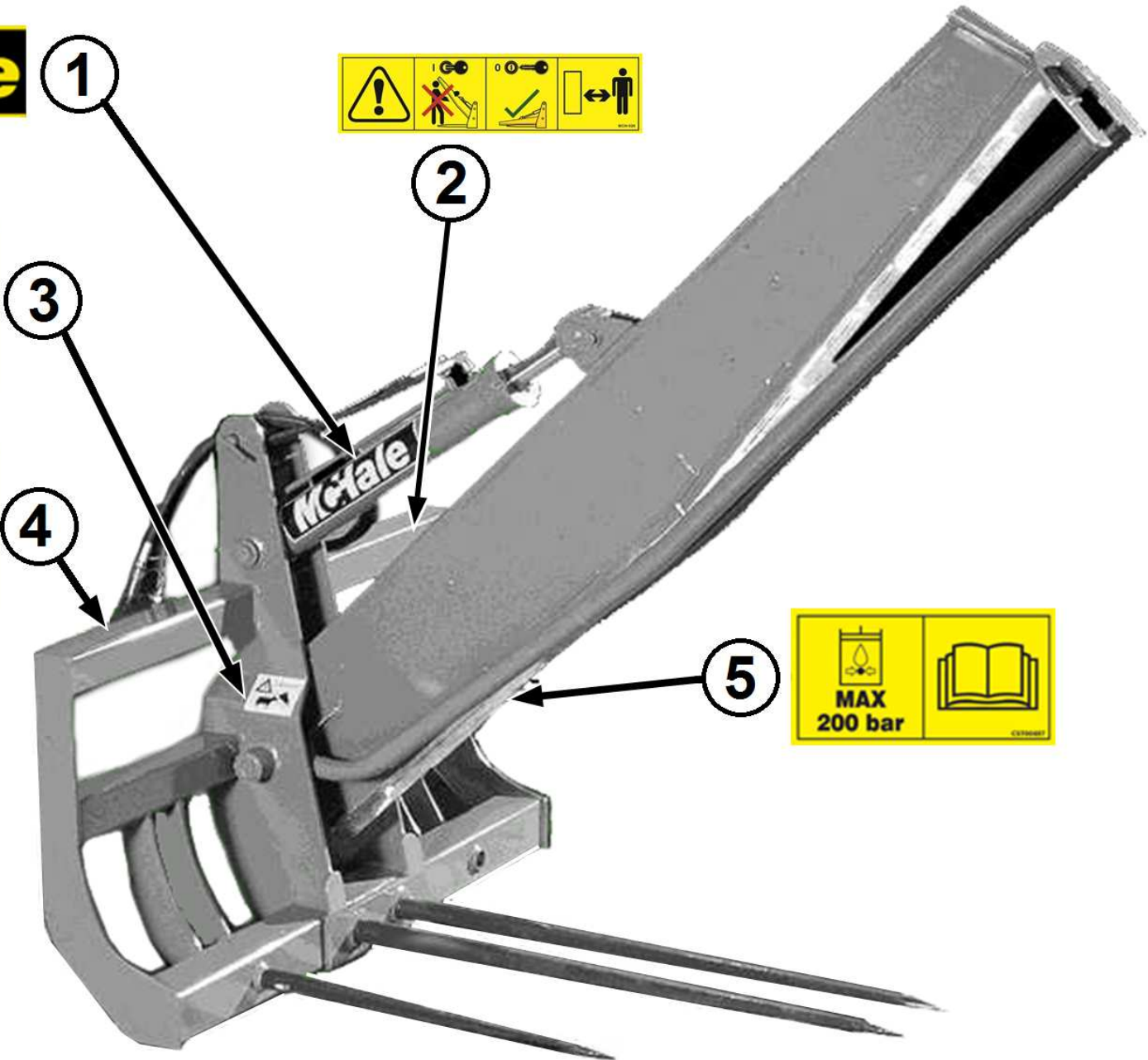


3

**Important**  
**KEEP BLADE**  
**SHARP**

4

5



No.	Part No	Description	Qty
1	CST00079	DECAL MCHALE HEIGHT 90MM	0
2	CST00047	DECAL KNIFE DANGER BS MCH026	0
3	CST00097	BS BLADE WARNING ANIMALS	0
4	CST00098	KEEP BLADE SHARP	0
5	CST00657	DECAL MAX OIL PRESSURE	0

No.	Part No	Description	Qty
-----	---------	-------------	-----