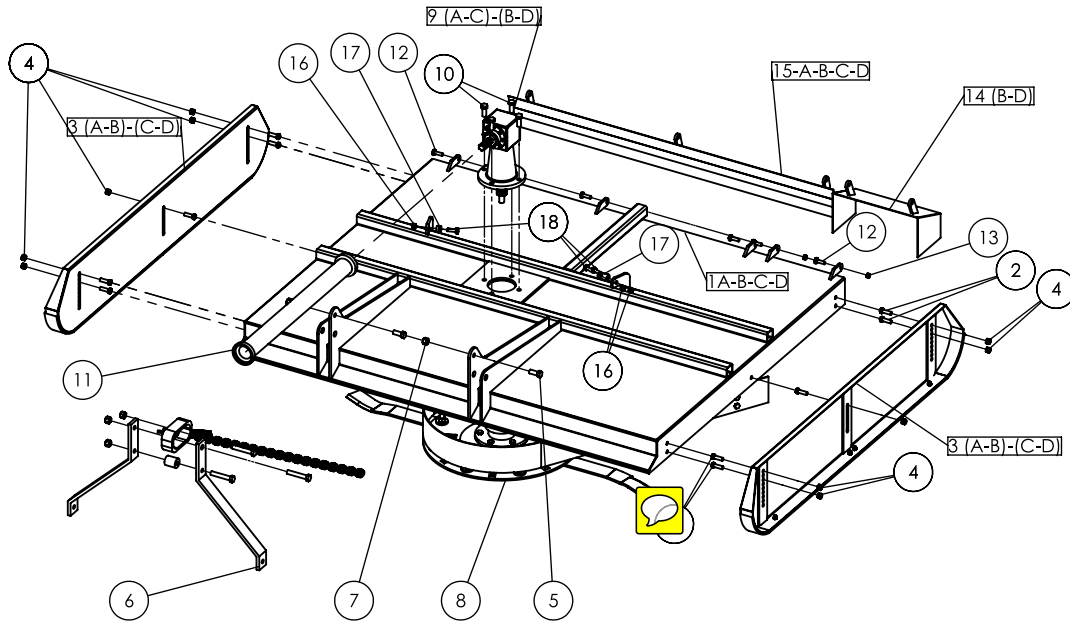


# ALMEKS

## SLASHER & LABRADOR SPARE PARTS CATALOGUE



FOR SLASHER (1.5m JXS & 1.8m JXS) & LABRADOR (1.5m JXH & 1.8m JXH) MODELS



### LIGHT TYPE SPRING

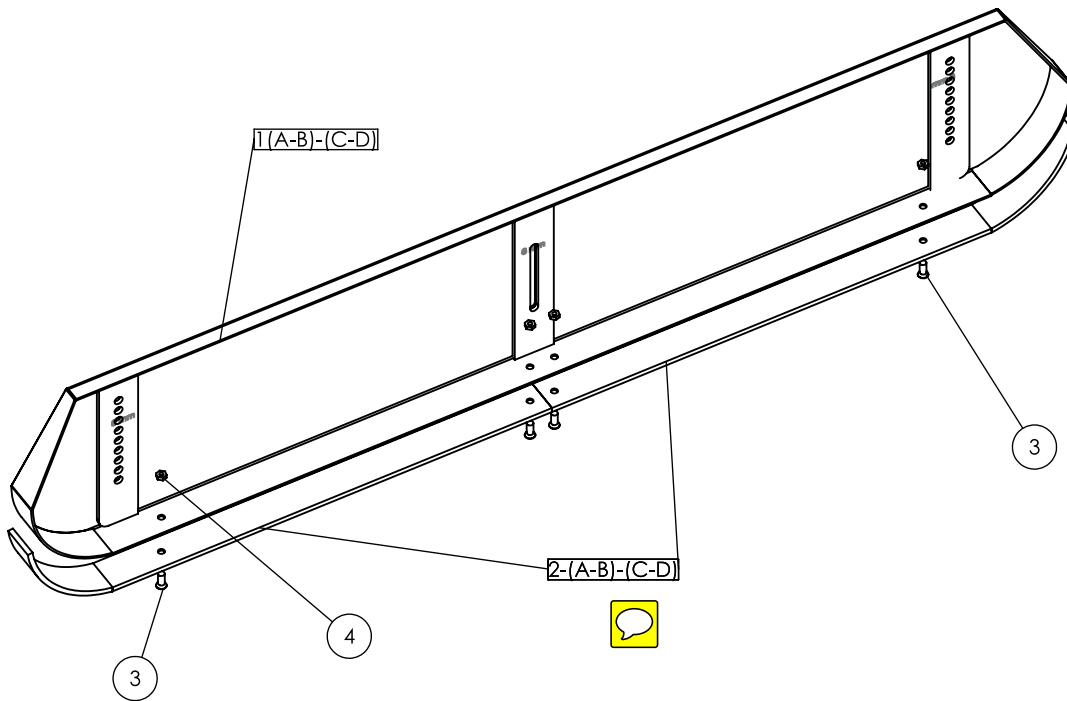
Line No: SAP1500T / SAP1500C / SAP1800T / SAP1800C

Name of Mountage: COMPLETE MOUNTAGE

Position No	Reference Number	Part Name
1 A	151 41 001 010	SAP 1500T Main Chassis
1 B	151 41 002 010	SAP 1500C Main Chassis
1 C	151 41 003 010	SAP1800T Main Chassis
1 D	151 41 004 010	SAP1800C Main Chassis
2	150 01 22 01603	M16x50 Bolt A.B.
3 (A-B)	151 41 001 020	SAP 1500T & SAP1500C Side Door
3 (C-D)	151 41 003 020	SAP 1800T & SAP1800C Side Door
4	150 01 23 1600	M16 Nut (fiber)
5	151 39 2031	M20x65 Bolt A.B.
6	151 41 100 010	SAP Support Arm
7	150 01 23 2000	M20 Nut (fiber)
8	151 41 100 020	SAP Montage of Undercarriage
9 (A-C)	150 01 38 1001	Gear Box (60kw)
9 (B-D)	150 01 38 1002	Gear Box (80kw)
10	151 39 2031	M20x65 Bolt A.B.
11	150 01 38 005	SAP PTO shaft
12	150 01 22 01204	M12x45 Bolt A.B.
13	150 01 23 1201	M12 Nut (fiber)
14 (B-D)	151 41 002 030	SAP 1800C & SAP1500C Window
15 A	151 41 001 050	SAP1800T Rear Door
15 B	151 41 002 050	SAP1800C Rear Door
15 C	151 41 003 050	SAP 1500T Rear Door
15 D	151 41 004 050	SAP 1500C Rear Door
16	150 01 23 1600	M16 Nut (fiber)
16a	150 01 23 1201	M12 Nut (fiber)
17	151 41 100 050	Main Chassis & Chain Link Plate
18	150 01 22 01603	M16x50 Bolt A.B.
18a	150 01 22 01204	M12x45 Bolt A.B.

# LIGHT TYPE SPRING CULTIVATOR

SIDE DOOR 3 (A-B), SIDE DOOR 3 (C-D)

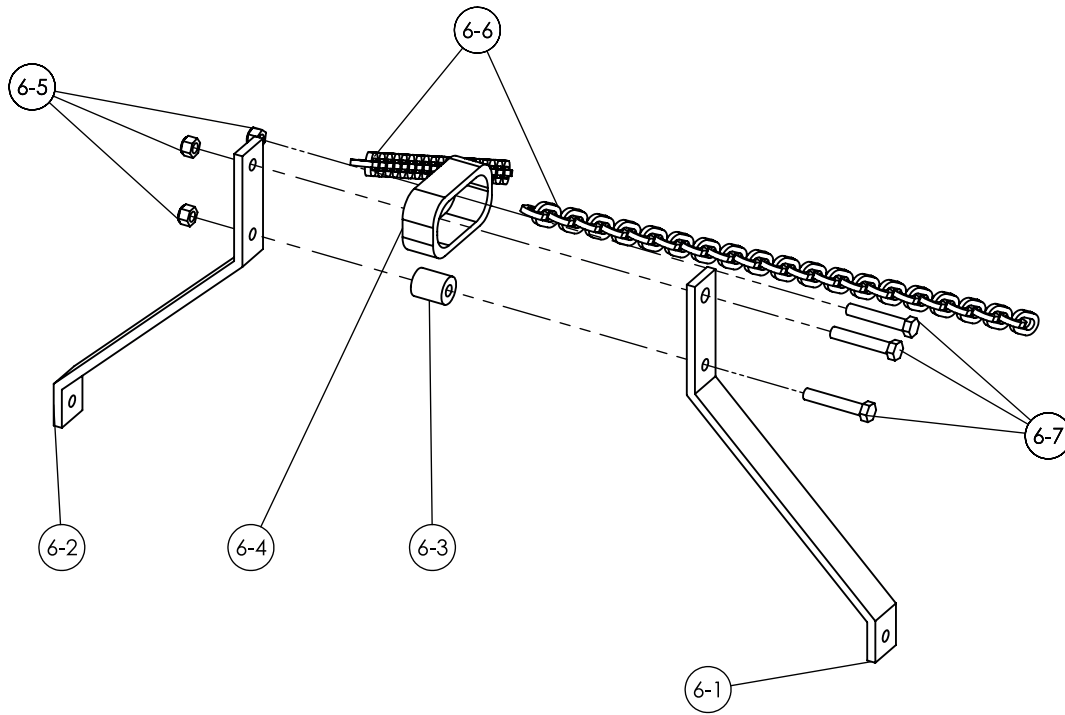


LIGHT TYPE SPRING CULTIVATOR		Line No: SAP 1500T & SAP 1500C	Name of Mountage: SIDE DOOR 3 (A-B)
Position No	Referance Number	Part Name	
1(A-B)	151 41 001 021	SAP 1500T& SAP 1500C- Side Door Sheet	
2(A-B)	151 41 001 022	SAP 1500T & SAP 1500C- Slide	
3	150 01 22 01206	M12x30 Bolt HB.	
4	150 01 23 1201	M12 Nut	

LIGHT TYPE SPRING CULTIVATOR		Line No: SAP 1800T & SAP 1800C	Name of Mountage: SIDE DOOR 3 (C-D)
Position No	Referance Number	Part Name	
1(C-D)	151 41 003 021	SAP 1800T & SAP 1800C-Side Door Sheet	
2(C-D)	151 41 003 022	SAP 1800T & SAP 1800C-Slide	
3	150 01 22 01206	M12x30 Bolt HB.	
4	150 01 23 1201	M12 Nut	

# LIGHT TYPE SPRING CULTIVATOR

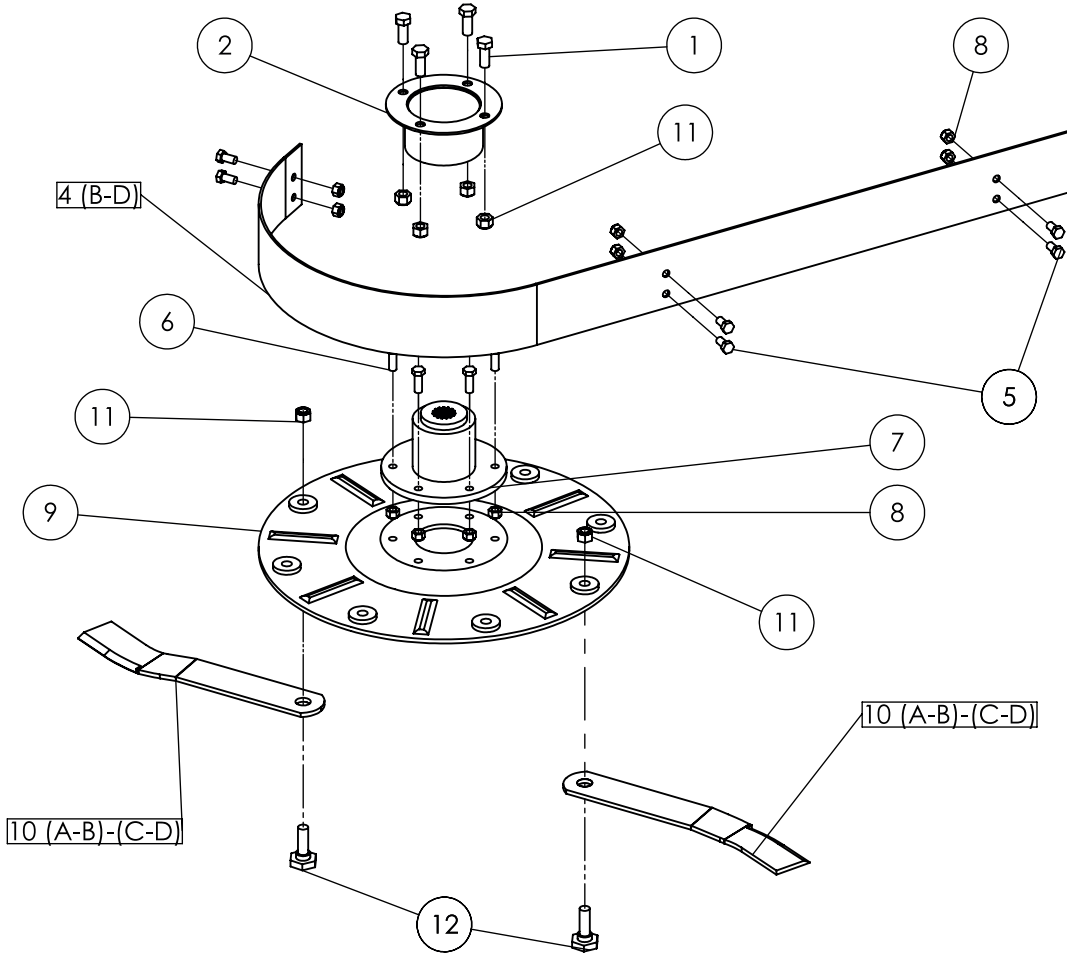
## ASSAMBLAGE OF SUPPORT ARM



LIGHT TYPE SPRING CULTIVATOR		Line No:	Name of Mountage: ASSAMBLAGE OF SUPPORT ARM
Position No	Referance Number	Part Name	
6-1	151 41 100 011	SAP- Support Arm (right)	
6-2	151 41 100 012	SAP- Support Arm (left)	
6-3	151 28 01 006	Support Arm piece 50x19,5- 60mm	
6-4	151 41 100 013	Connection piece	
6-5	150 01 23 2000	M20 Nut (fiber)	
6-6	151 41 100 014	Chain	
6-7	151 39 2009	M20x125 Bolt A.B.	

# LIGHT TYPE SPRING CULTIVATOR

## ASSAMBLAGE OF UNDERCARRIAGE



LIGHT TYPE SPRING CULTIVATOR		Line No:	Name of Mountage: ASSAMBLAGE OF UNDERCARRIAGE
Position No	Referance Number	Part Name	
8-1	151 39 2031	M20x65 A.B. Bolt	
8-2	151 41 100 021	SAP Protection Sheet	
8-4(B)	151 41 100 022	SAP 1800C- Direction Sheet	
8-4(D)	151 41 100 023	SAP 1500C- Direction Sheet	
8-5	150 01 22 01602	M16x45 Bolt A.B.	
8-6	150 01 22 01609	M16x60 Bolt A.B.	
8-7	151 41 100 024	Gear - Disc Connector Flange	
8-8	150 01 23 1600	M16 Nut (fiber)	
8-9	151 41 100 025	Tambor	
8-10(A-B)	151 41 100 026	SAP 1800C & SAP1800T Blade	
8-10(C-D)	151 41 100 027	SAP 1500C & SAP1500T Blade	
11	150 01 23 2400	M24 Nut (fiber)	
12	150 01 22 02403	M24 Bolt for Tambor Blade	

# Exports to 70 Countries on 5 Continents



**ALMEKS**

ALMEKS IMPORT & EXPORT CO.

Kıbrıs Şehitleri Caddesi No: 98/11 Alsancak - İZMİR / TÜRKİYE

Tel: +90 (232) 463 70 44 Fax: +90 (232) 463 94 33

Web: [www.almeks.com.tr](http://www.almeks.com.tr) E-mail: [info@almeks.com.tr](mailto:info@almeks.com.tr)