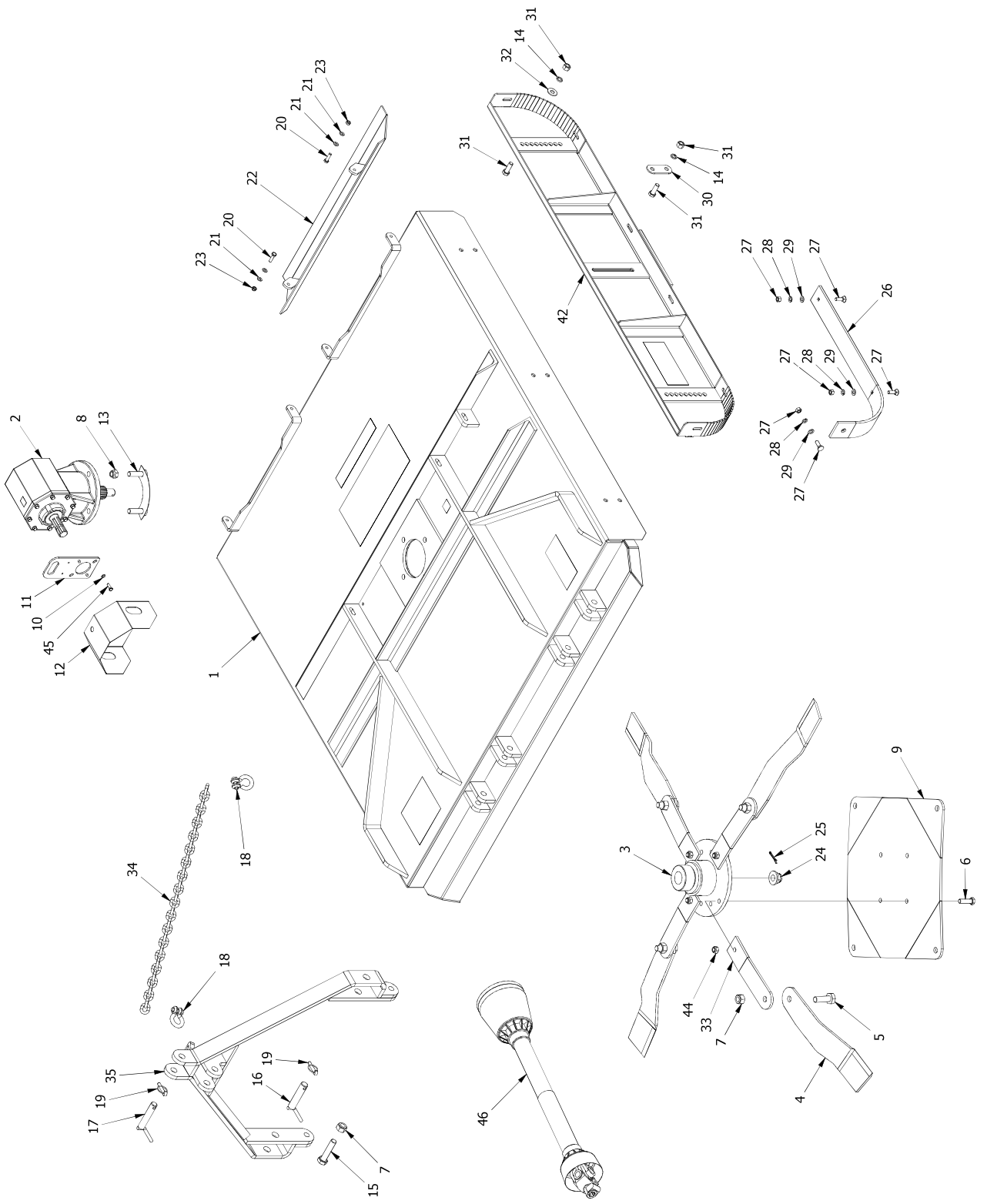


JXS 1800 Slasher
J0105



**JXS 1800 Slasher
J0105**

Item	Part No.	Description	Qty	Item	Part No.	Description	Qty
1	H2940	Hull JXS 1800 Slasher	1	41	M2929	Decal Jupindex All White	2
2	M9346	Gearbox RC61 1:1.46	1	42	H2950	Side Panel JXS 1800 Slasher	2
3	H2762	Hub adapter	1	43	M2948	Decal JXS 1800	1
4	H41618NF	Blade 10x100x560 22.5 CF	4	44	M61616	Nut Nyloc M16 Galv	4
5	M52270	Bolt M22x70-12.9	4	45	M40825	Bolt M8x25HT Galv	4
6	M41655	Bolt M16x55 HT Galv	4	46	FB6125FF	PTO shaft B6-1.2m F2	1
7	M62222	Nut Nyloc M22 Galv	6				
8	M61919	Nut Nyloc 3/4UNF	4				
9	M2721	Disk; Profile 10.0 MS PLB4	1				
10	M80803	Washer Flat M8 Galv	4				
11	M2732	Lift Lug RC61	1				
12	M2729	PTO Cover	1				
13	H1206	Ganged bolts 3/4UNFx2-1/2 Galv	2				
14	M91604	Washer Spring M16 Galv	12				
15	M422100	Bolt M22x100 HT Galv	2				
16	H7115	Pin Btm link Cat2 125mm	2				
17	H0634	Pin Top link Cat 2-125mm	1				
18	M0621	Shackle 12.0mm	4				
19	FLP11	Lynchpin 11mm	3				
20	M41035	Bolt M10x35HT Galv	4				
21	M81002	Washer Flat M10 Galv	8				
22	H2753	Back flap GH180	2				
23	M61007	Nut Nyloc M10 Galv	4				
24	M9342	Hub nut RC61 Special	1				
25	M1416	Split pin B5x60	1				
26	H0454	Skid Runner 8x90x74.0	4				
27	M21240	Plough bolt M12x40 CSK Galv	24				
28	M91213	Washer Spring M12 Galv	12				
29	M81202	Washer Flat M12 Galv	12				
30	M2748	Plate 2 x M16 Galv	2				
31	M11645	Bolt M16x45 + Nut Galv	24				
32	M81603	Washer M16x40x3 Galv	8				
33	M2722	Blade Strap	4				
34	R0611-0001	Chain Gr5 10mm 2T	2				
35	H2920	Top mast Generic 1.5m/1.8m	1				
36	M2928	Decal Jupindex Black+Green	1				
37	M3172	Decal DANGER STAY AWAY - ROTATING.....	1				
38	M3373	Decal VERY IMPORTANT BEFORE USING...Generic	1				
39	M3178	Decal Blade/Lem	1				
40	M3173	Decal Lifting hook	1				