



SINGLE ROW MAIZE CHOPPER

KE 120 SINGLE ROW MAIZE CHOPPER
Spare Parts' Catalog



Diagram 1. Spare Parts of Body

Nr	Code	Part Name	Quantity
1	711200101001	Side Pulling Box	1
2	711200101002	Complete Lifting Jack with Tyre	1
3	711200101003	Square Transmission	1
4	711200101004	Oil Tank	1
5	711200101005	AHSIA 101K Hydraulic Pump	1
6	711200101006	Gear Coupling	1
7	711200101007	Flexible Coupling	1
8	711200101008	1/2 Copper Rove	2
9	711200101009	1/2 Adaptor	1
10	711200101010	1/2 Adaptor	1
11	711200101011	M12 Nut	1
12	711200101012	M8 Rove	6
13	711200101013	M8x30 Bolt	4
14	711200101014	M16 Rove	4
15	711200101015	M16x35 Bolt	5
16	711200101016	Plastic Cover	4
17	711200101017	M8x20 Bolt	2
18	711200101018	M8 Nut with Fibre	2
19	711200101019	3/8 Copper Rove	1
20	711200101020	8L-3/8 Rek	1
21	711200101021	Transmission Cover	1
22	711200101022	M10 Rove	3
23	711200101023	M10x25 Bolt	3
24	711200101024	8L 3/8 Rek	6
25	711200101025	3/8 Copper Rove	6
26	711200101026	Direction Arm	1
27	711200101027	Direction Arm Holder	1
28	711200101028	Hydraulic Hose (1 Set)	1
29	711200101029	P.T.O Shaft	1

2. CHUTE

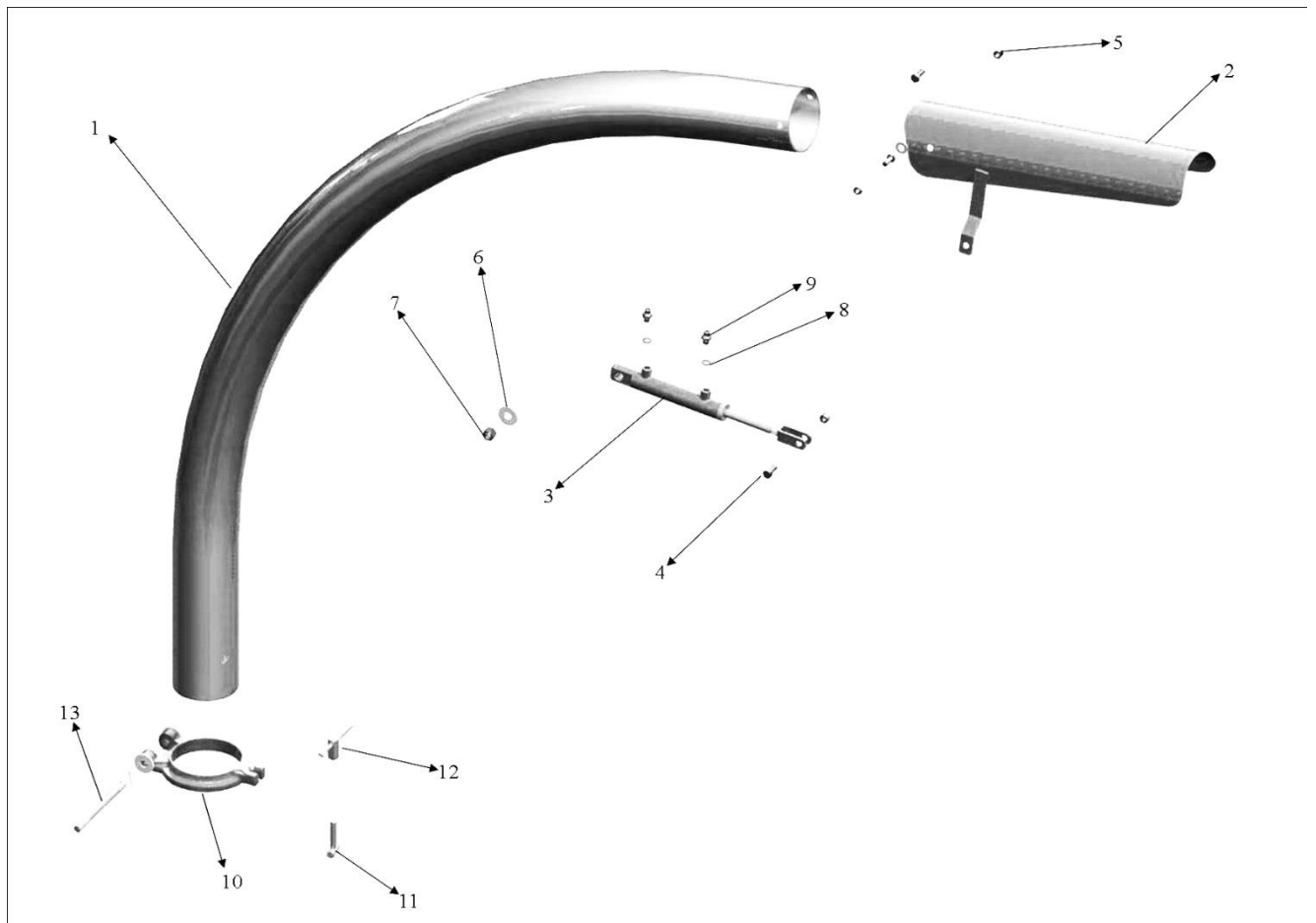


Diagram 23. Spare Parts of Chute

Nr	Code	Part Name	Quantity
1	711200201001	Chimney Body	1
2	711200201003	Chimney Hat	1
3	711200201004	Short Piston	1
4	711200201005	M12x30 Bolt	3
5	711200201006	M12 Nut with Fibre	3
6	711200201007	M16 Rove	1
7	711200201008	M16 Nut with Fibre	1
8	711200201009	1/4" Copper Rove	2
9	711200201010	8L-1/4" Rek	2
10	711200201011	Chimney Clamp	1
11	711200201012	Clamp Tightening Bolt	1
12	711200201013	Clamp Tightening Nut	1
13	711200201014	Clamp Pin	1

3. FRAME ASSEMBLY

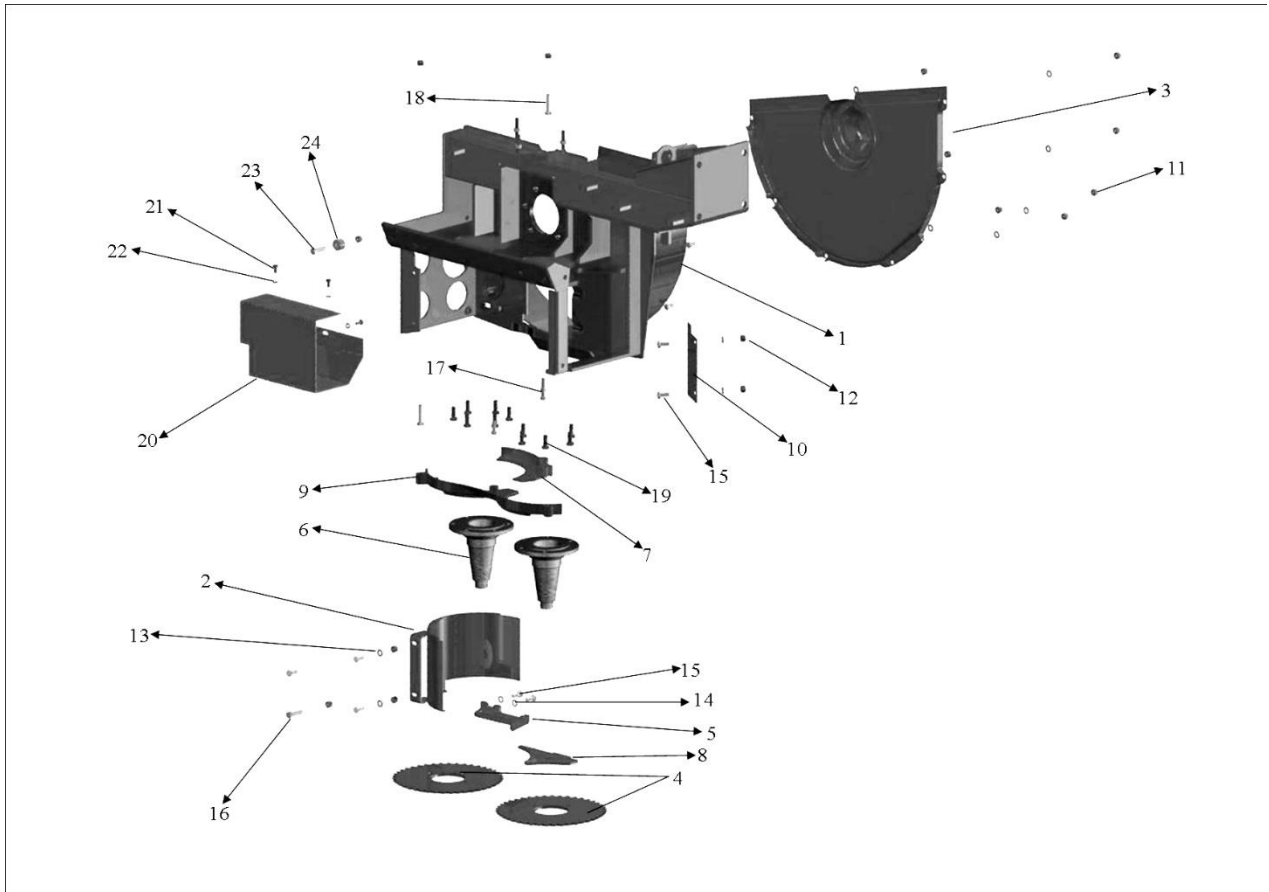


Diagram 24. Spare Parts of Frame Assembly

Nr	Code	Part Name	Quantity
1	711200202001	Main Body	1
2	711200202002	Protection Metal Sheet	1
3	711200202003	Rear Cover	1
4	711200202004	Tray Blade	2
5	711200202005	Curved Scraper	1
6	711200202006	Conic Tower	2
7	711200202007	Small Gear Protection (Foundry)	1
8	711200202008	Sıyırıcı Sac/Scraper Metal Sheet	1
9	711200202009	Large Gear Protection (Foundry)	1
10	711200202010	Düz Tambur Sıyırıcı Sacı	1
11	711200202011	M10 Nut with Fibre	8
12	711200202012	M10 Nut with Fibre	7
13	711200202013	M10 Rove	10
14	711200202014	M10 Rove	4
15	711200202015	M10x25 Bolt	7
16	711200202016	M10x45 Bolt	1
17	711200202017	M10x40 Impus Bolt	3
18	711200202018	M10x50 Bolt	2
19	711200202019	M12x30 Bolt	12
20	711200202020	Protection Cover	1
21	711200202021	M8x15 Bolt	3
22	711200202022	M8 Rove	3
23	711200202023	Top Reservoir O-Ring	1
24	711200202024	M10x40 Bolt	1

4. CHUTE

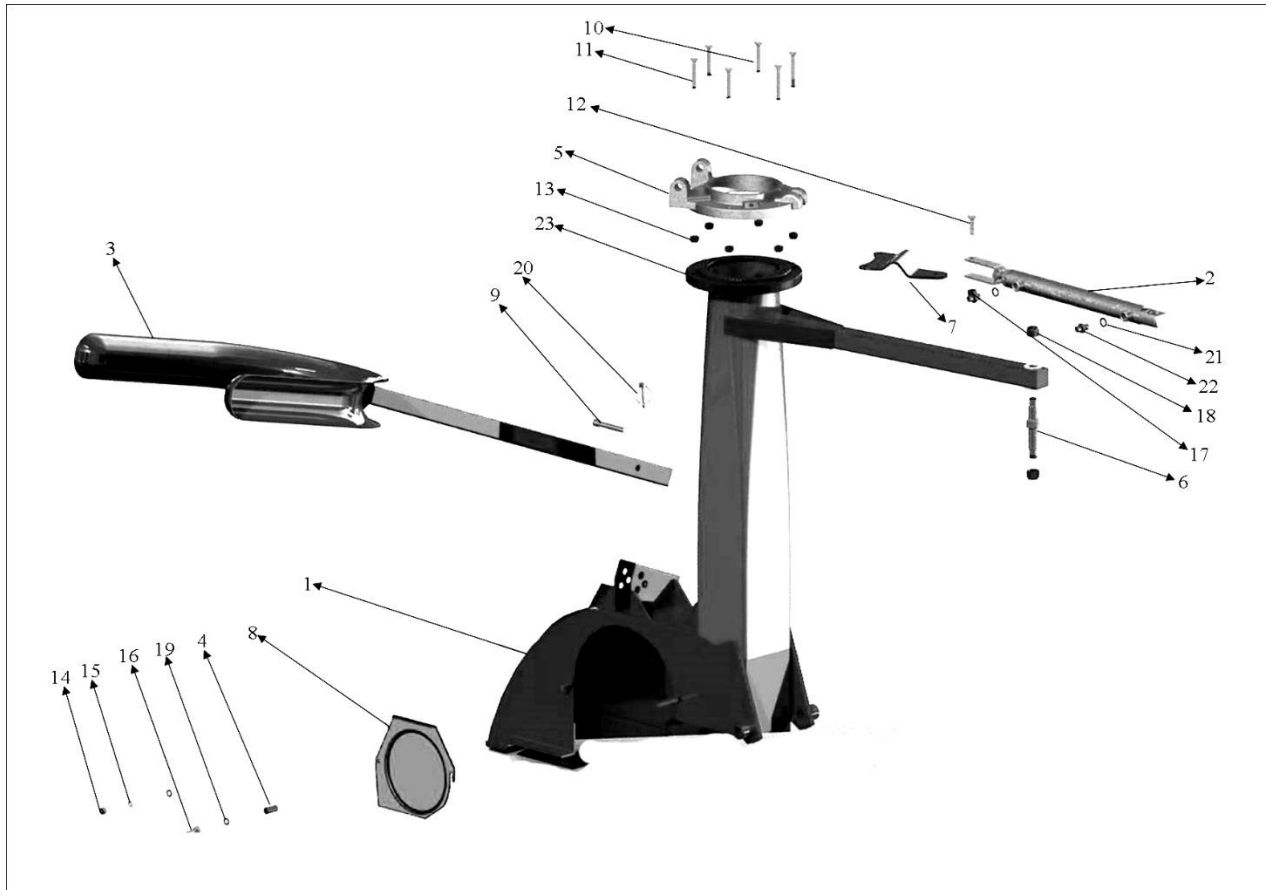


Diagram 35. Spare Parts of Chute

Nr	Code	Part Name	Quantity
1	711200203001	Top Reservoir	1
2	711200203002	Long Piston	1
3	711200203003	Winnow	1
4	711200203004	Grindstone Gijon Pipe	1
5	711200203005	Chimney Clamp(Large)	1
6	711200203006	Piston Connection Pin	1
7	711200203007	Piston Connection Metal Sheet	1
8	711200203008	Grinding Unit Cover	1
9	711200203009	Winnow Pin	1
10	711200203010	M10x70 Bolt	2
11	711200203011	M10x60 Bolt	4
12	711200203012	M12x35 Bolt	1
13	711200203013	M10 Nut with Fibre	6
14	711200203014	M8 Nut with Fibre	1
15	711200203015	M8 Nut	1
16	711200203016	M8 Thumb Nut	1
17	711200203017	M12 Nut with Fibre	1
18	711200203018	M16 Nut with Fibre	2
19	711200203019	M8 Rove	2
20	711200203020	6mm Clenched Pin	1
21	711200203021	¼" Copper Rove	2
22	711200203022	8L-1/4" Rek	2
23	711200203023	Smelting Chimney Round	1

5. FLYWHEEL

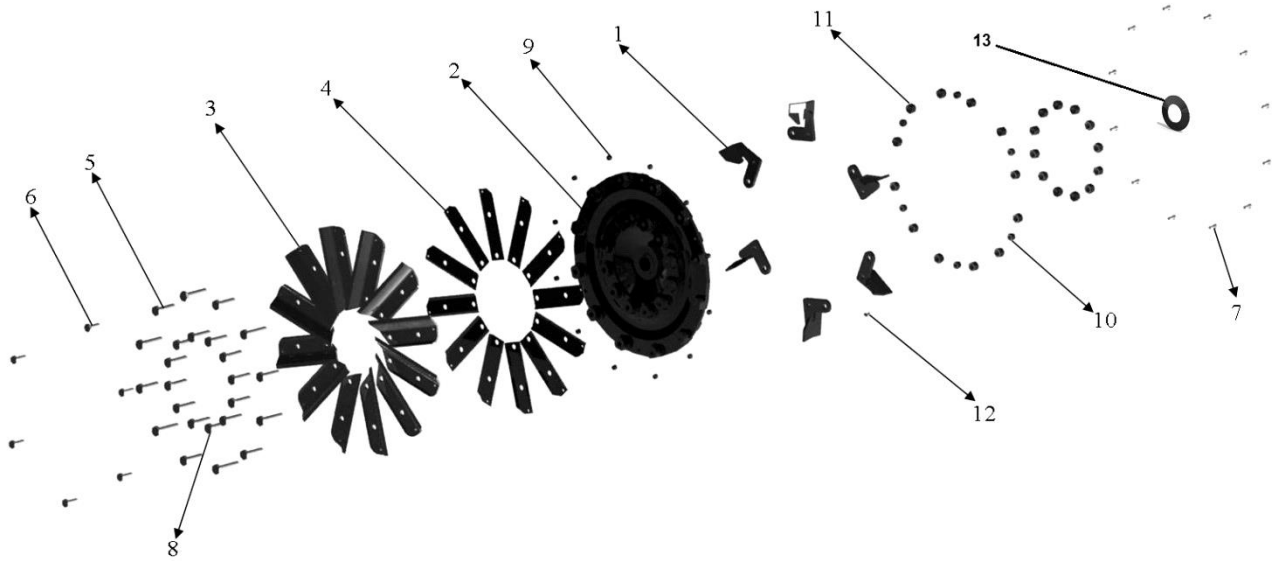


Diagram 46. Spare Parts of Flywheel

Nr	Code	Part Name	Quantity
1	711200301001	Throwing Palette	6
2	711200301002	Flywheel Smelting	1
3	711200301003	Cutting Blade	12
4	711200301004	Comb Plate	12
5	711200301005	M16x80 Bolt	6
6	711200301006	M12x40 Bolt	6
7	711200301007	M8x20 Bolt	12
8	711200301008	M16x65 Bolt	18
9	711200301009	M8 Nut with Fibre	12
10	711200301010	M12 Nut with Fibre	6
11	711200301011	M16 Nut with Fibre	24
12	711200301012	M8 Curved Lubricator	1
13	711200301013	Flywheel Rove	4
14	711200301014	Complete Flywheel (Mounted)	1

6. GEARBOX

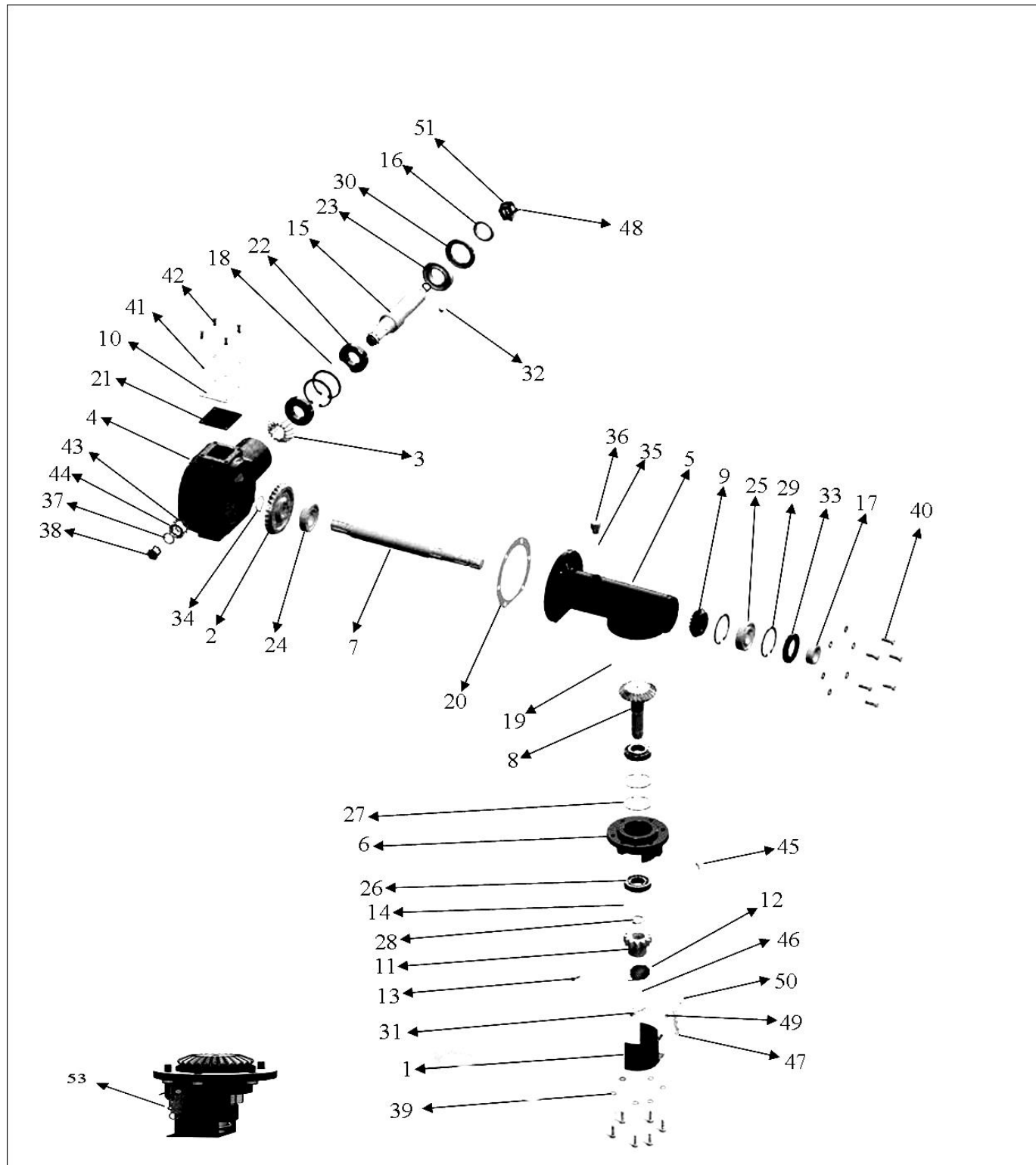


Diagram 57. Spare Parts of Gearbox

Nr	Code	Part Name	Quantity
1	711200302001	Fuse Gear Protection Cover	1
2	711200302002	M=3,8 Z=33 Gear	1
3	711200302003	M=3,8 Z=16 Conic Gear	1
4	711200302004	Ladle Foundry	1
5	711200302005	Barrel Faundry	1
6	711200302006	Long Barrel Cover Faundry	1
7	711200302007	Transmission Spindle	1
8	711200302008	M=3, Z=25 Tailed Gear	1
9	711200302009	M=3, Z=18 Conic Gear	1
10	711200302010	Ladle Smelting Top Cover	1
11	711200302011	Fuse Gear	1
12	711200302012	Fuse Pin Cover	1
13	711200302013	Fuse Pin	2
14	711200302014	Metal Sheet Cover	1
15	711200302015	Flywheel Spindle	1
16	711200302016	Flywheel Spindle Felt Ring	1
17	711200302017	Transmission Spindle Felt Ring	1
18	711200302018	Flywheel Spindle O-Ring	1
19	711200302019	Barrel Cover	1
20	711200302020	Ladle Smelting Leakproof Gasket	1
21	711200302021	Ladle Smelting Cover Leakproof Gasket	1
22	711200302022	30208 Bearing	2
23	711200302023	6209 Bearing	1
24	711200302024	32208 Bearing	1
25	711200302025	6307 Bearing	1
26	711200302026	30207 Bearing	2
27	711200302027	472-72x2,5 Piston Ring	2
28	711200302028	471-35x2,5 Piston Ring	1
29	711200302029	Piston Ring	4
30	711200302030	60x85x10 Felt	1
31	711200302031	Clenched Pin	1
32	711200302032	14x9x65 Cotter	1
33	711200302033	50x80x10 Felt	1
34	711200302034	471-40x2,5 Piston Ring	1
35	711200302035	¾" Copper Rove	1
36	711200302036	3/4" Plug (Narrow Cog-With Hole)	1
37	711200302037	M24 Rove	1
38	711200302038	M24 Plug	1
39	711200302039	M10 Rove	12
40	711200302040	M10x40 Impus Bolt	12
41	711200302041	M8 Rove	4
42	711200302042	M8x20 Bolt	4
43	711200302043	M30 Rove	1
44	711200302044	M30 Nut(Round Slotted)	1
45	711200302045	M8 Curved Lubricator	1
46	711200302046	471-32x2 Piston Ring	1
47	711200302047	Cover Spring	1
48	711200302048	4x40Split Pin	1
49	711200302049	M6 Nut	1
50	711200302050	M6x30 Nut	1
51	711200302051	Flywheel Nut	1
52	711200302052	Complete Transmission	1
53	711200302053	Complete Transmission Cover	1

7. DRUM



Diagram 68. Spare Parts of Drum

Nr	Code	Part Name	Quantity
1	711200401001	Flat Drum(Foundry)	1
2	711200401002	M=5, Z=50 Flat Drum Gear	1
3	711200401003	M10x30 Impus Bolt	6
4	711200401004	62207 Bearing	1
5	711200401005	6016 2RS Bearing	1
6	711200401006	472-125x4 Piston Ring	1
7	711200401007	472-72x2,5 Piston Ring	1
8	711200401008	Flat Drum(Complete)	1

8. DRUM

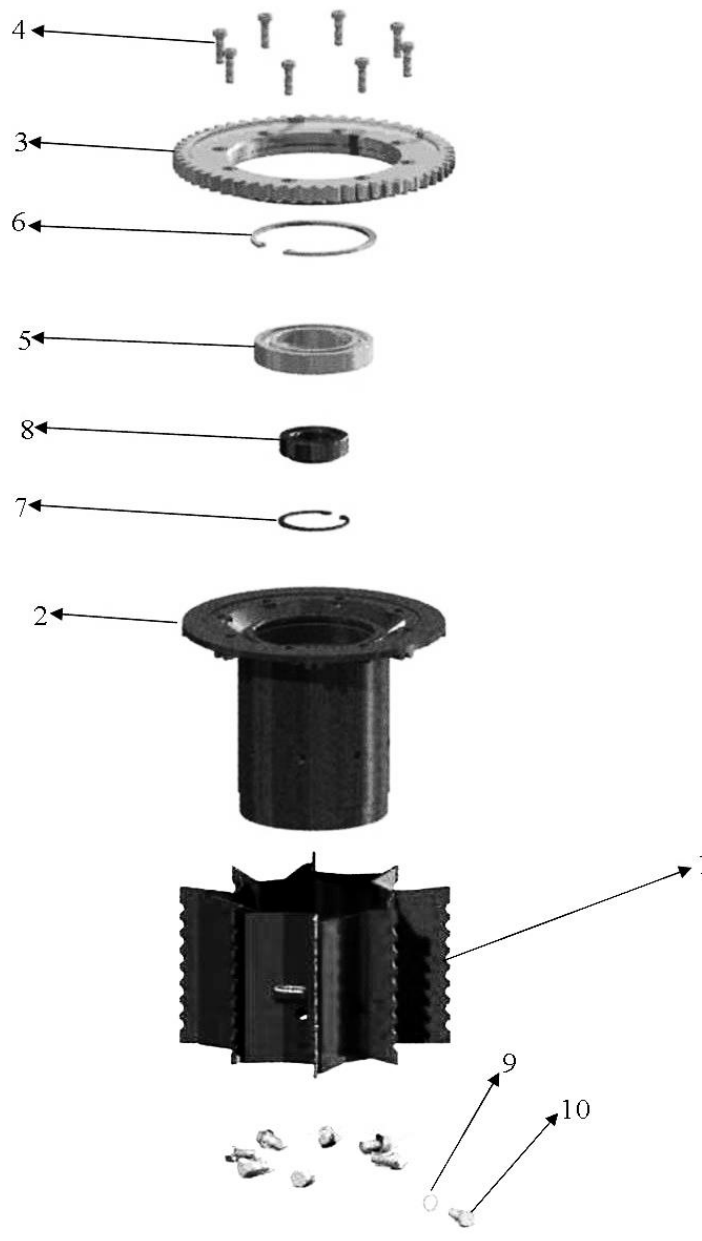


Diagram 79. Spare Parts of Drum

Nr	Code	Part Name	Quantity
1	711200402001	Steel Palette	1
2	711200402002	Foundry Drum with Hat	1
3	711200402003	M=5, Z=57 Drum Gear	1
4	711200402004	M10x30 Impus Bolt	8
5	711200402005	6016 2RS Bearing	1
6	711200402006	472-125x4 Piston Ring	1
7	711200402007	472-72x2,5 Piston Ring	1
8	711200402008	62207 Bearing	1
9	711200402009	M12 Nut(Thooted)	8
10	711200402010	M12x25 Bolt	8
11	711200402011	Drum with Palette(Complete)	1

9. KNIFE SHARPENING

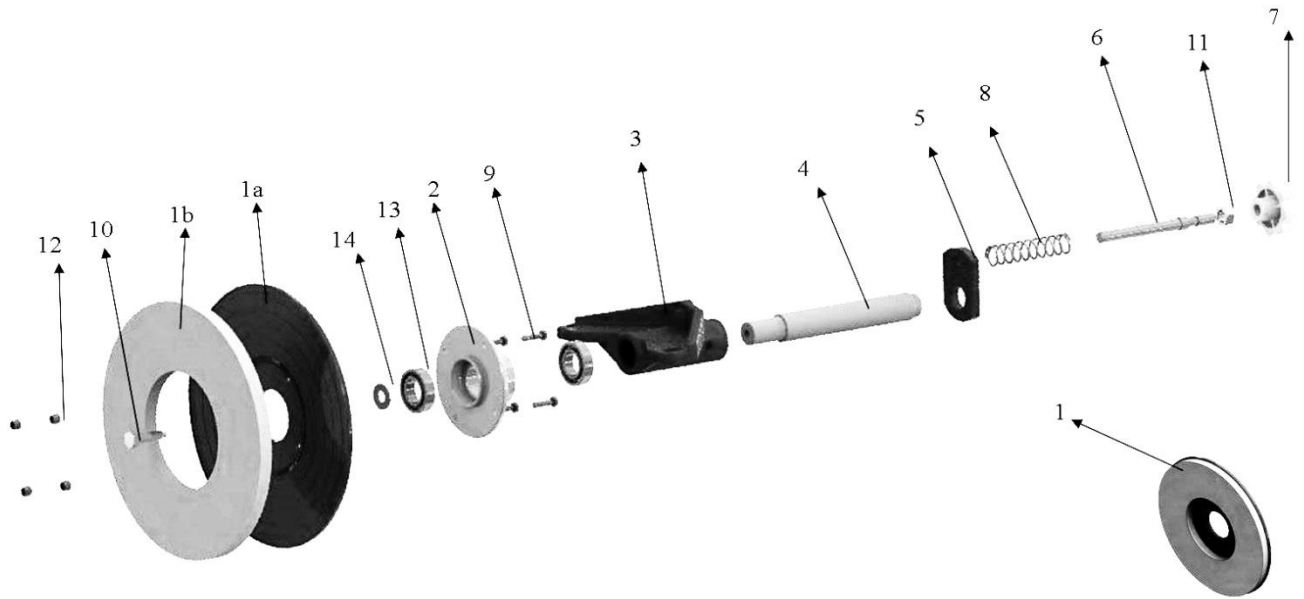


Diagram 30. Spare Parts of Knife Sharpening

Nr	Code	Part Name	Quantity
1	711200403001	Grindstone(With Flange)	1
1b	711200403016	Grindstone(Without Flange)	1
1a	711200403015	Grindstone Flange	1
2	711200403002	Grindstone Hub	1
3	711200403003	Throttle	1
4	711200403004	Grindstone Spindle	1
5	711200403005	Grinstone Spindle Adjustment Plate	1
6	711200403006	Adjustment Screw	1
7	711200403007	Adjustment Thumbscrew	1
8	711200403008	Pressure Spring	1
9	711200403009	M6x20 Bolt	4
10	711200403010	M10x40 Bolt	1
11	711200403011	M12 Nut	1
12	711200403012	M6 Nut with Fibre	4
13	711200403013	6005 Bearing	2
14	711200403014	M12 Rove	1
15	711200403017	Grindstone(Complete)	1

10. LEDGER KNIFE

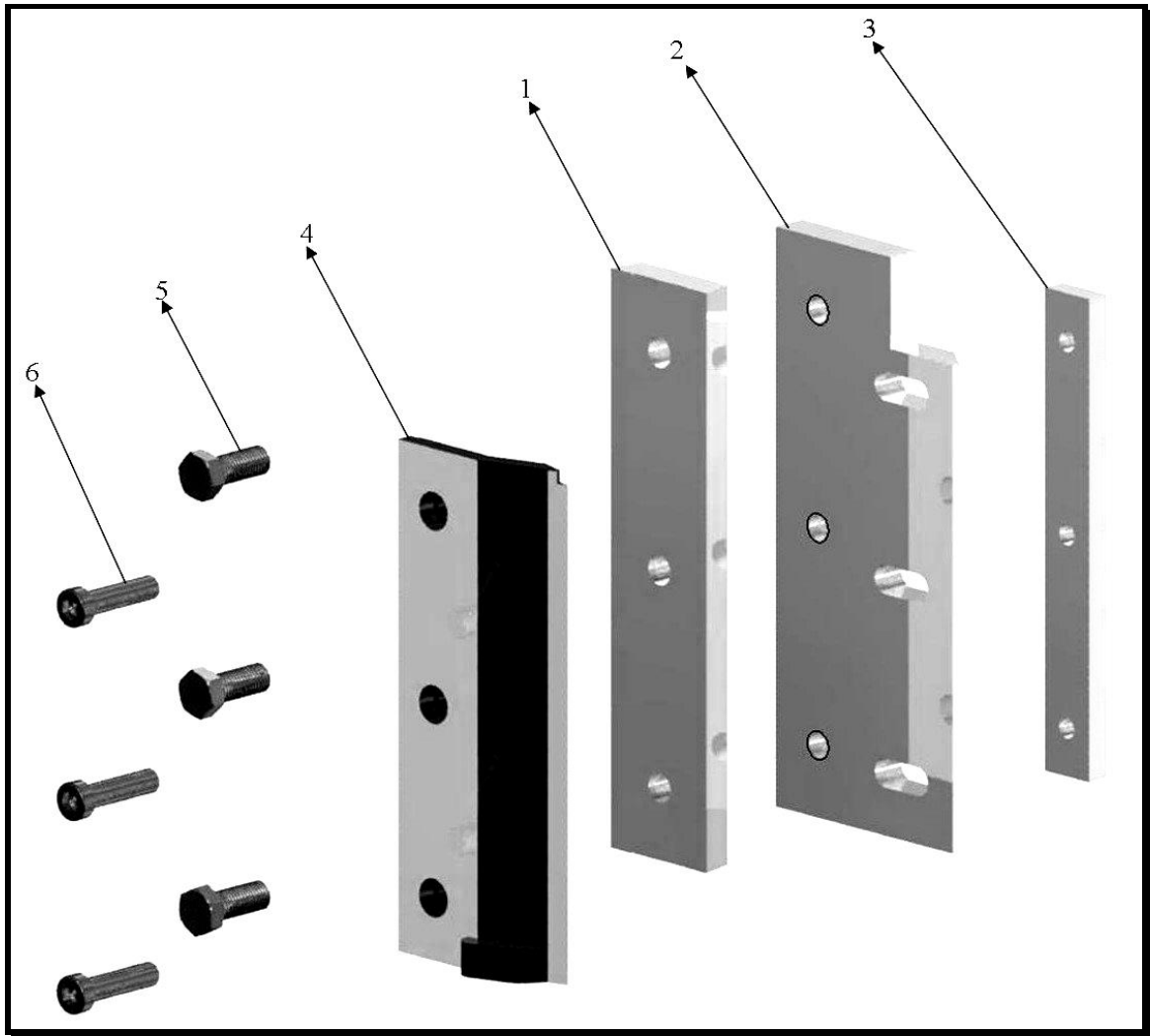


Diagram 31. Spare Parts of Ledger Knife

Nr	Code	Part Name	Quantity
1	711200501001	Fixed Blade	1
2	711200501002	Fixed Blade (Carbide Covering)	1
3	711200501003	Fixed Blade Connection Plate	1
4	711200501004	Tightening Plate	1
5	711200501005	Flat Blade	1
6	711200501006	M12x30 Bolt	3
7	711200501007	M10x40 Impus Bolt	3
8	711200501008	Fixed Blade(Complete)	1

11. CROP ROUTEING

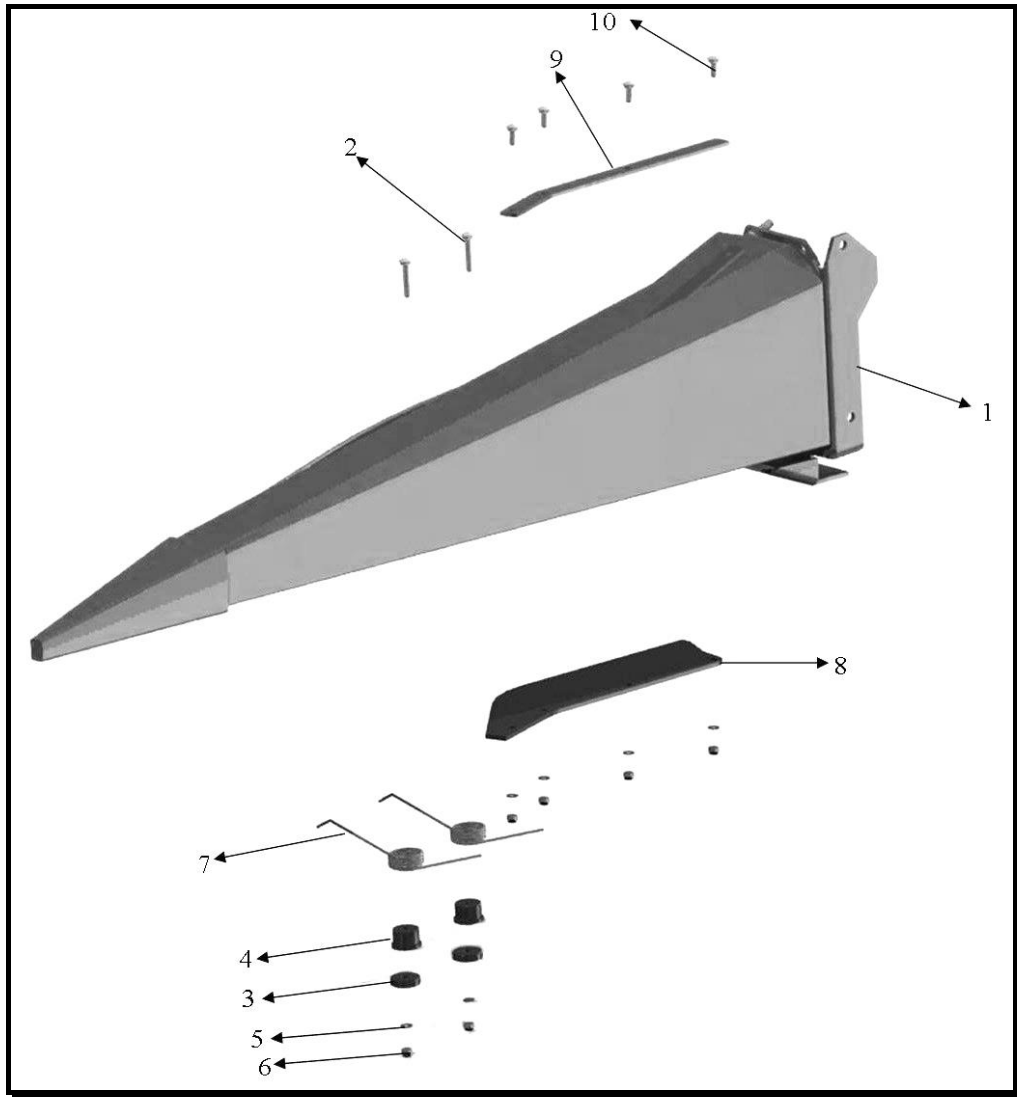


Diagram 82. Spare Parts of Crop Routeing

Nr	Code	Part Name	Quantity
1	711200601001	Inner Furrow	1
2	711200601002	M8x50 Bolt(With square hat head)	2
3	711200601003	Plastic Spring Chock	2
4	711200601004	Spring Adjustment Plastic Part	2
5	711200601005	M8 Rove	6
6	711200601006	M8 Nut with Fibre	6
7	711200601007	Inner Furrow Spring	2
8	711200601008	Furrow Rubber	1
9	711200601009	Furrow Rubber Plate	1
10	711200601010	M8x25Bolt(With square hat head)	4
11	711200601011	Inner Furrow (Complete)	1

12. CROP ROUTEING

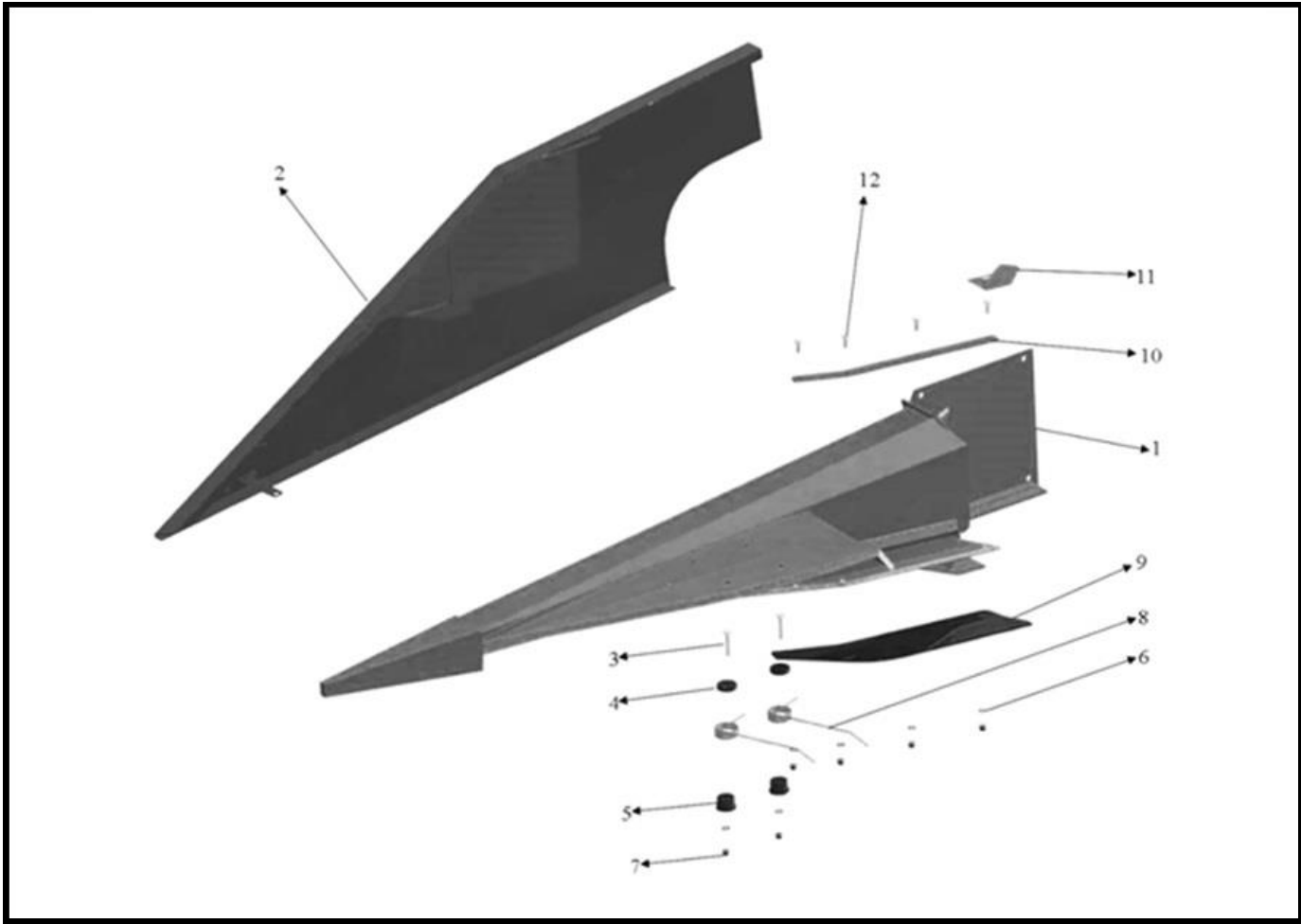


Diagram 93. Spare Parts of Crop Routeing

Nr	Code	Part Name	Quantity
1	711200602001	Outer Furrow	1
2	711200602002	Furrow Protection Metal Sheet	1
3	711200602003	M8x50 Bolt(With square hat head)	2
4	711200602004	Plastic Spring Chock	2
5	711200602005	Spring Adjustment Plastic Part	2
6	711200602006	M8 Rove	6
7	711200602007	M8 Nut with Fibre	6
8	711200602008	Outer Furrow Spring	2
9	711200602009	Furrow Rubber	1
10	711200602010	Furrow Rubber Plate	1
11	711200602011	Outer Furrow Connection Plate	1
12	711200602012	M8x25Bolt(With square hat head)	4
13	711200602013	Outer Furrow (Complete)	1

13. FRAME ASSEMBLY

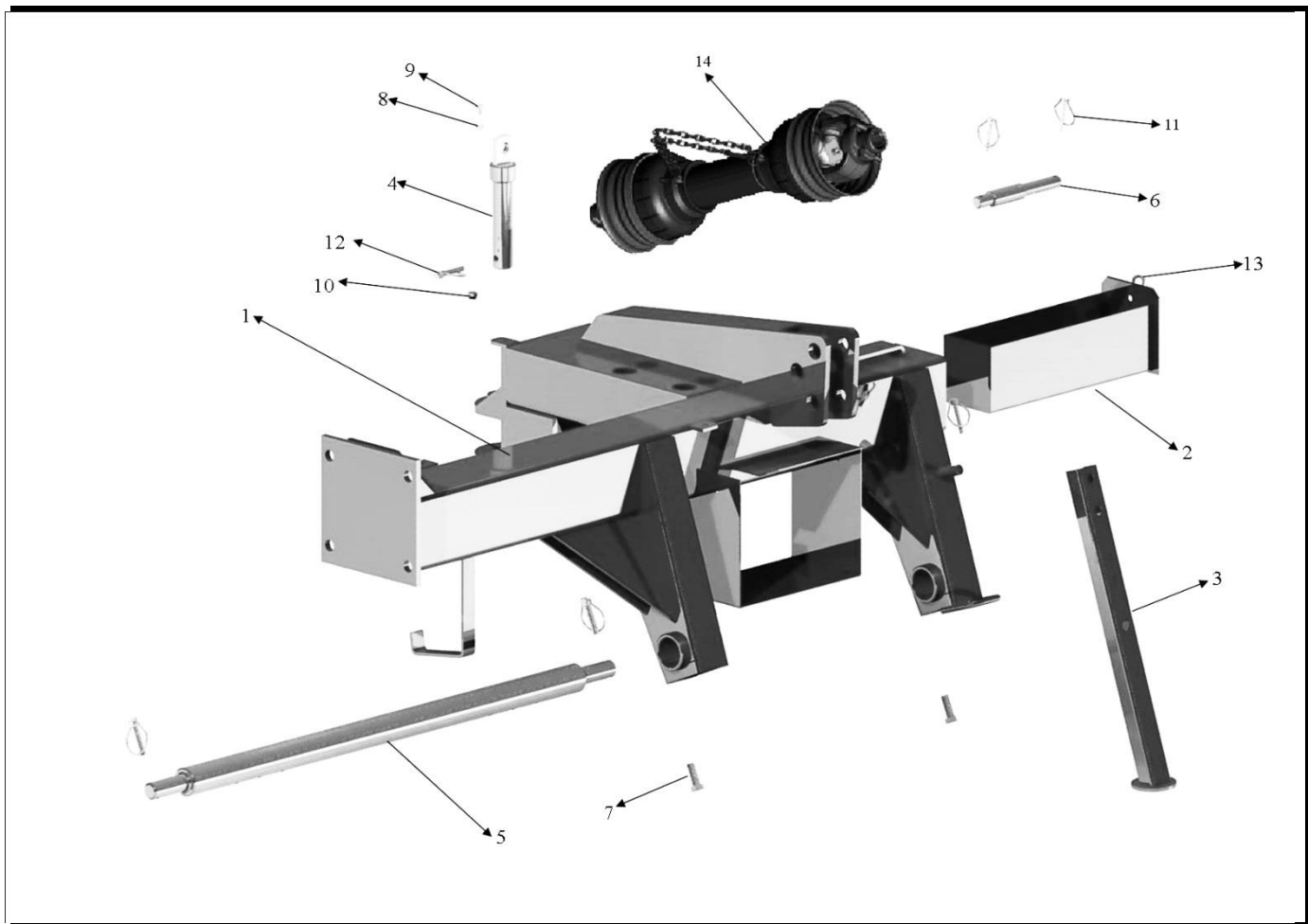


Diagram 104. Spare Parts of Frame Assembly

Nr	Code	Part Name	Quantity
1	711200701001	Side Pulling Box Main Body	1
2	711200701002	Drawer	1
3	711200701003	Support Stand	1
4	711200701004	Pulling Connection Pin	1
5	711200701005	Tractor Connection Arm	1
6	711200701006	Pulling Pin	1
7	711200701007	M12x35 Bolt	2
8	711200701008	M8 Rove	1
9	711200701009	M8x20 Bolt	1
10	711200701010	M8 Nut with Fibre	1
11	711200701011	M6 Clenched Pin	3
12	711200701012	M10 Clenched Pin	3
13	711200701013	Pin	1
14	711200701014	Horizontal Shaft	1

14. JACK STAND

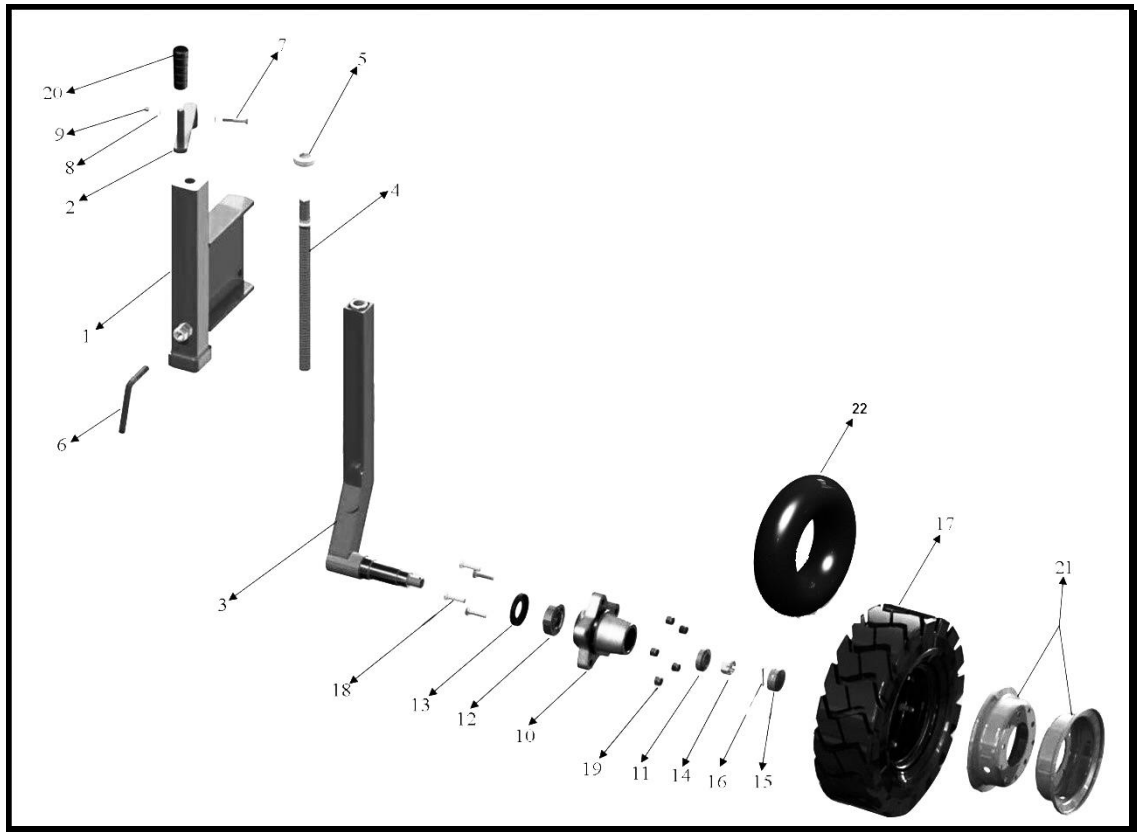


Diagram 115. Spare Parts of Jack Stand

Nr	Code	Part Name	Quantity
1	711200702001	Jack Body	1
2	711200702002	Turn Over Handle	1
3	711200702003	Jack Inner Body	1
4	711200702004	Jack Spindle	1
5	711200702005	T-101 Bearing	1
6	711200702006	Squeezing Crank	1
7	711200702007	M8x45 Bolt	1
8	711200702008	M8 Rove	2
9	711200702009	M8 Nut with Fibre	1
10	711200702010	Wheel Hub(Foundry)	1
11	711200702011	30205 Bearing	1
12	711200702012	32207 Bearing	1
13	711200702013	40x72x10 Felt	1
14	711200702014	7/8" Nut with 14 Thread	1
15	711200702015	Hub Cover	1
16	711200702016	5x50 Split Pin	1
17	711200702017	18X7/8 Tyre	1
18	711200702018	M12x40 Bolt	5
19	711200702019	M12 Nut with Fibre	5
20	711200702020	Potholder Plastic	1
21	711200702021	Tyre Rim (Set)	2
22	711200702022	Inner Tube	1
23	711200702023	Jack(Complete)	1

15. GEARBOX

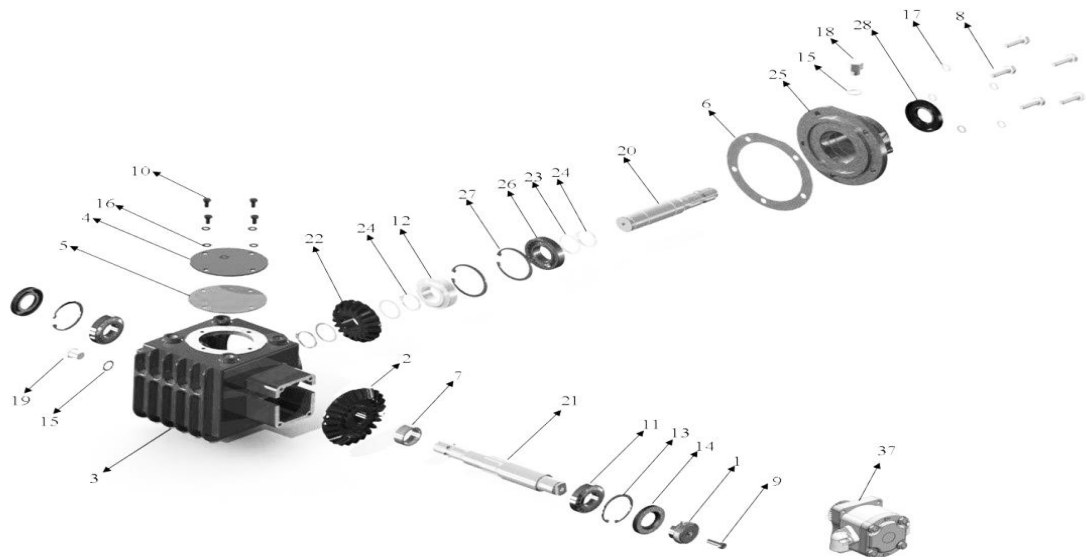


Diagram 36. Spare Parts of Gearbox

Nr	Code	Part Name	Quantity
1	711200703001	Coupling Gear	1
2	711200703002	M=6, Z=25 Gear	1
3	711200703003	Transmission Body	1
4	711200703004	Transmission Cover(Metal Sheet)	1
5	711200703005	Cover Gasket	1
6	711200703006	Adjustment Gasket	1
7	711200703007	Adjustment O-Ring	1
8	711200703008	M12x40 Bolt	5
9	711200703009	M10x30 Bolt (Impus)	1
10	711200703010	M8x15 Bolt	4
11	711200703011	30207 Bearing	2
12	711200703012	32208 Bearing	1
13	711200703013	472-72x2,5 Piston Ring	2
14	711200703014	35x72x10 Felt	2
15	711200703015	3/4" Rove(Copper)	2
16	711200703016	M8 Rove	4
17	711200703017	M12 Rove(Thooted)	5
18	711200703018	3/4 Plug (Narrow Cog-With Hole)	1
19	711200703019	3/4" Plug	1
20	711200703020	Transmission Cover Spindle	1
21	711200703021	Square Transmission Long Spindle	1
22	711200703022	M=6, Z=18 Conic Gear	1
23	711200703023	Ø40x1 Rove	3
24	711200703024	471-40x3 Piston Ring	3
25	711200703025	Square Transmission Foundry Cover	1
26	711200703026	30208 Bearing	1
27	711200703027	472-80x2,5 Piston Ring	2
28	711200703028	40x80x10 Felt	1
29	711200703029	Square Transmission(Complete)	1
30	711200703030	Pomp	1