

**2624**

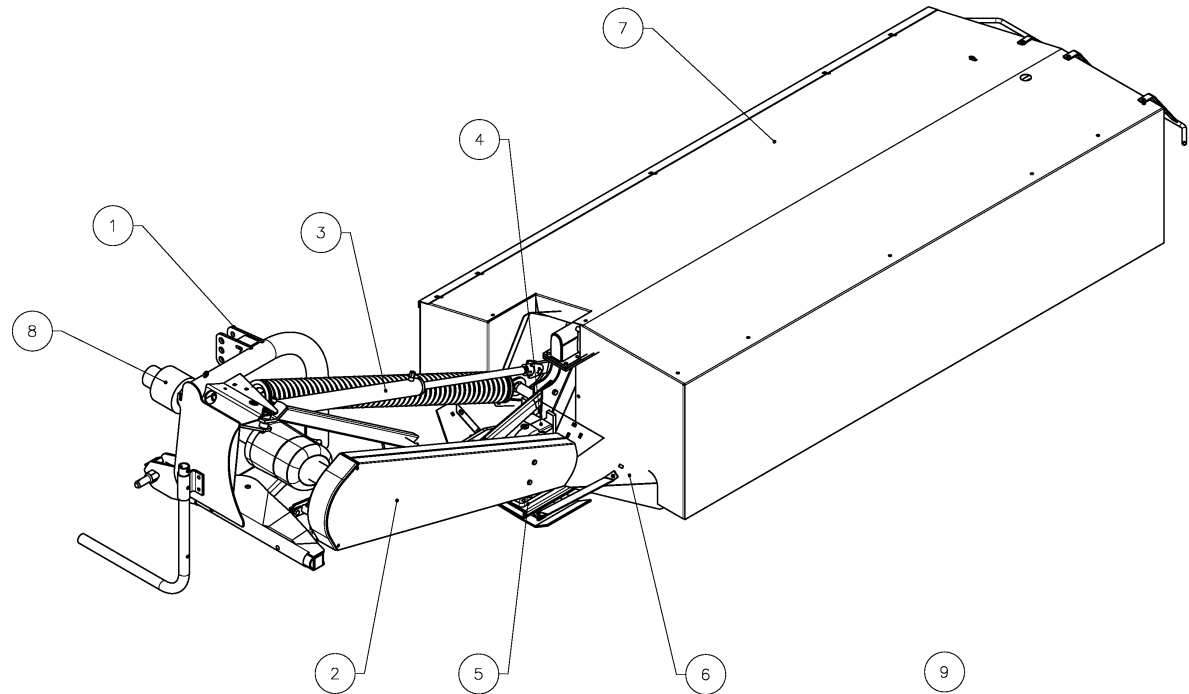
## **Spare Parts Manual**

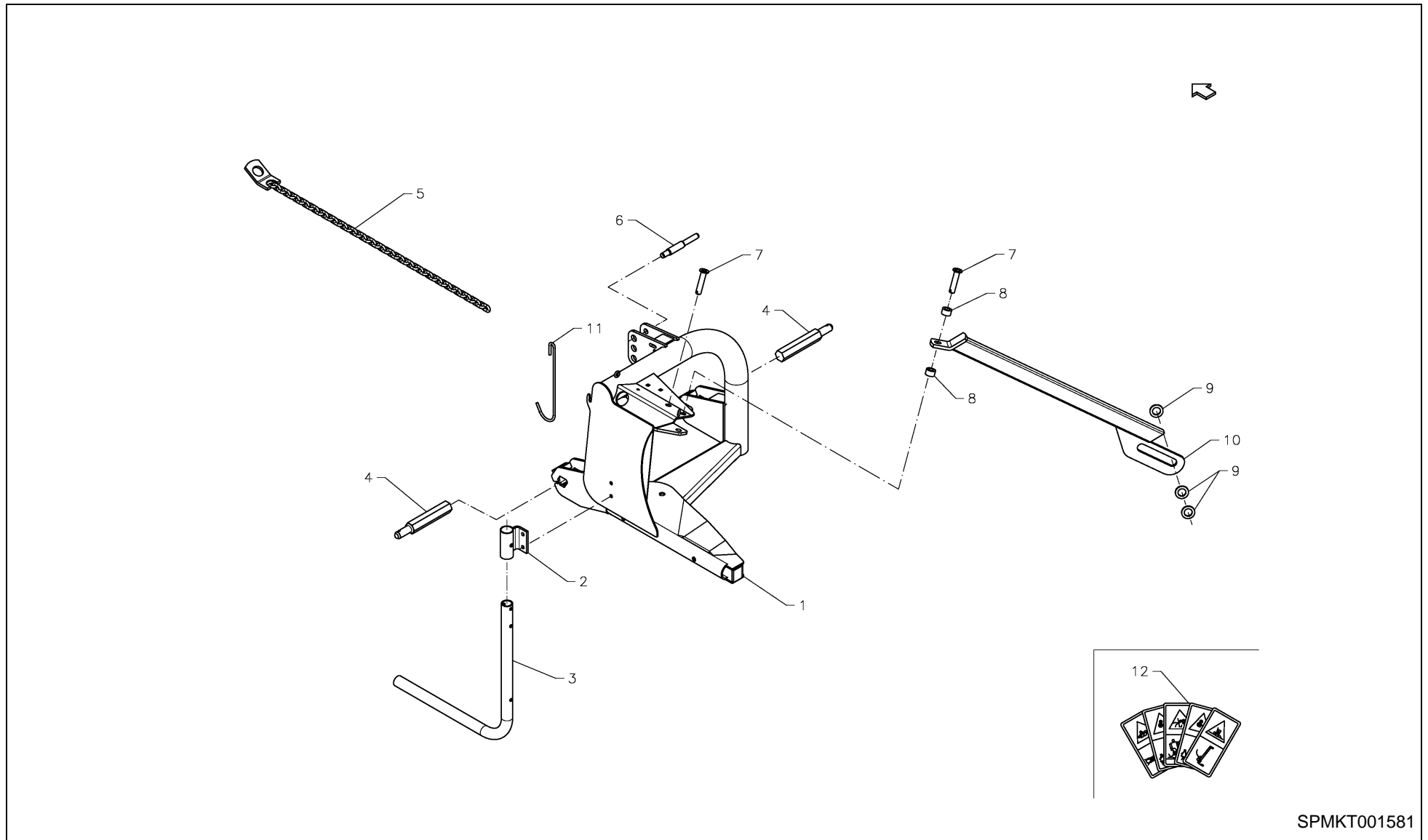
Article number:	24011101 Index 2011-06
Language:	EN
Production year (from):	2010
Serial No. (from):	KT 411.022< Mach. ID <=



## 2624 / Table of Contents

PosNo.	Assembly group	Page
1	LINKAGE	1
2	TRANSMISSION	2
3	SPRING, HYDRAULIC CYLINDER	3
4	TRANSMISSION	4
5	CUTTERBAR, COMPLETE	5
5	CUTTERBAR, SPARE PARTS SET	6
5	CUTTERBAR	7
6	SWATH BOARDS	8
7	TARPAULIN	9
8	PTO SHAFT	10
9	OPTIONAL EQUIPMENT	11
9	OPTIONAL EQUIPMENT	12
9	OPTIONAL EQUIPMENT	13
9	OPTIONAL EQUIPMENT	14
9	OPTIONAL EQUIPMENT	15
9	OPTIONAL EQUIPMENT	16

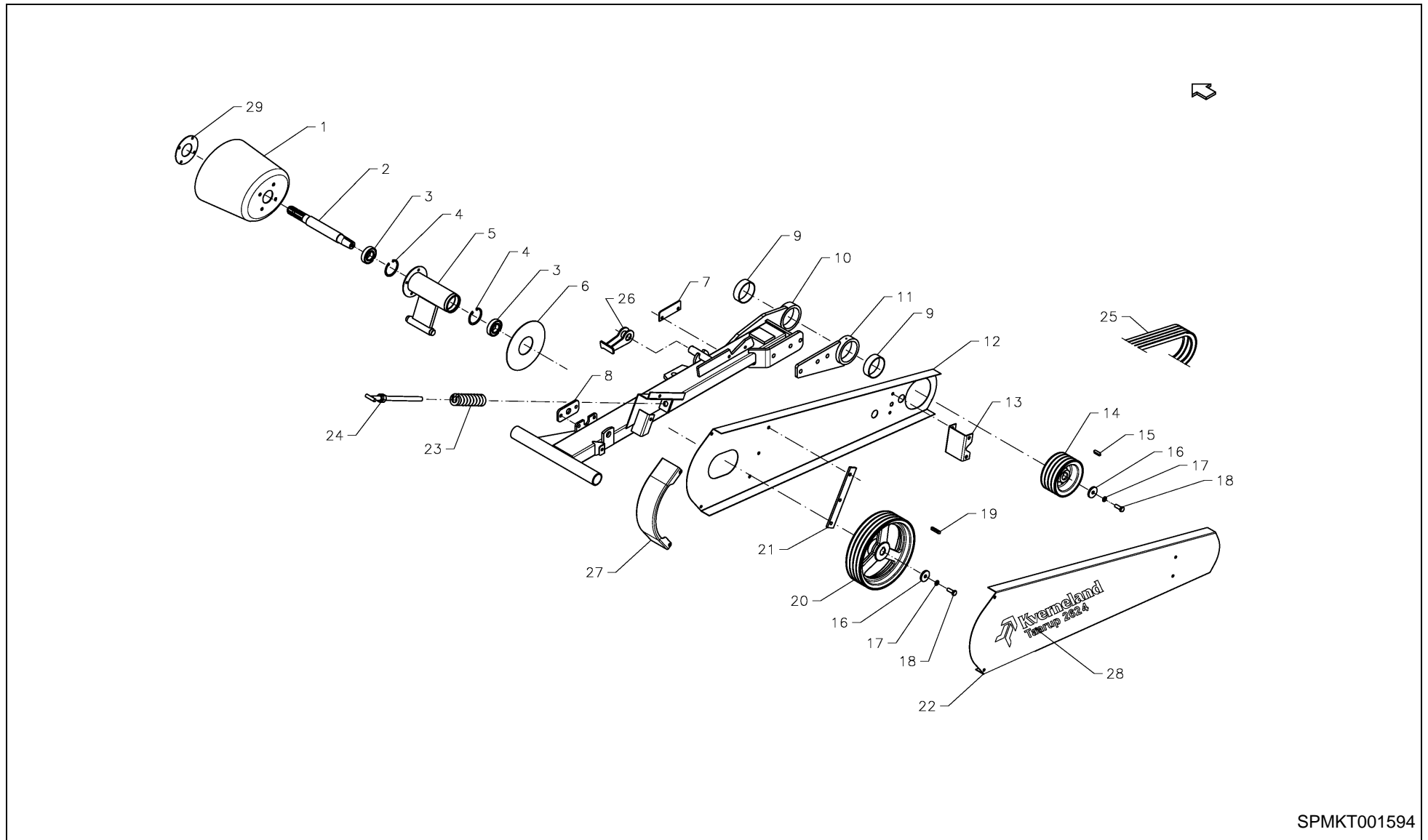




## 2624 / Linkage



PosNo.	Part No.	Qty.	Description	Remark
1	KT2417610094	1	3-POINT LINKAGE	
2	KT2424300061	1	BRACKET FOR SUPPORT LEG	
3	KT2418200061	1	SUPPORT LEG	
4	KT1940800061	2	HITCH PIN	
5	KT2420700061	1	CHAIN	
6	KT4736400061	1	BOLT FOR TOP LINK	
7	KT2417900061	2	PIN BOLT	
8	KT2418000061	2	SPACER	
9	KT6715400061	3	WASHER	
10	KT2420000086	1	SUPPORT	
11	VNB1326493	1	HOOK	
12	KT24304000	1	DECAL KVERNELAND TAARUP 26XX	

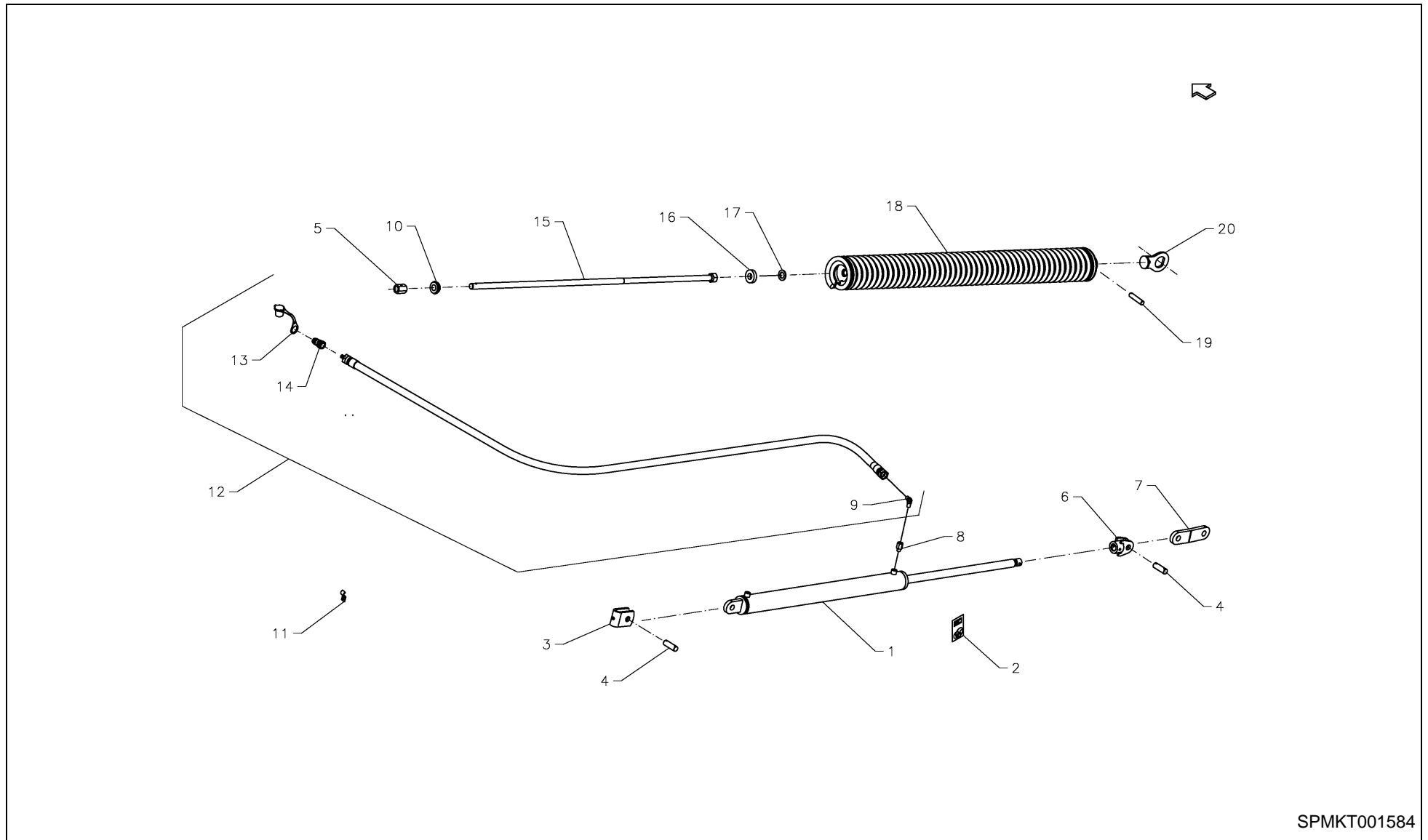


SPMKT001594

## 2624 / Transmission



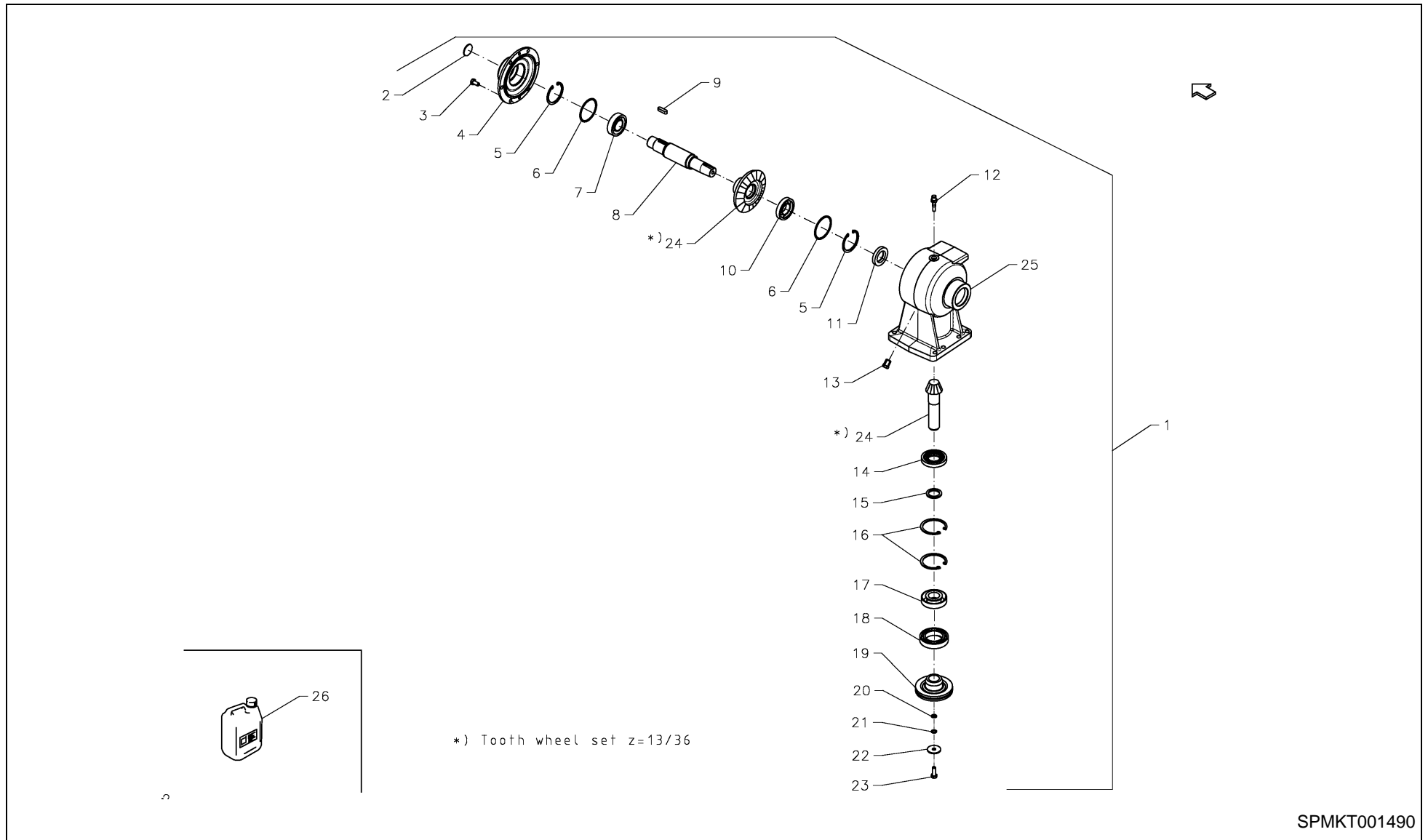
PosNo.	Part No.	Qty.	Description	Remark
1	KT99244506	1	GUARD	
2	KT2422500001	1	SHAFT	
3	KG01381100	2	BALL BEARING 6207-2RS	
4	KG01130500	2	CIRCLIP-B 72 X 2.5	
5	KT2418300086	1	BEARING BRACKET	
6	KT2419600061	1	PLATE	
7	KT2421200061	1	STOP	
8	KT2419300061	1	PATCH	
9	KT99158058	2	BUSHING	
10	KT2417810094	1	SWINGING BAR	
11	KT2419400094	1	EYE BRACKET	
12	KT2419900094	1	GUARD	
13	KT2419800061	1	BRACKET FOR GUARD	
14	KT1913900001	1	V-BELT PULLEY 4 SPB Ø160MM	
15	KT99354026	1	PARALLEL KEY	
16	KT56454000	2	DISC	
17	KG01281861	2	SPRING WASHER M12	
18	KG00476661	2	HEX. SCREW M12X35 8.8	
19	KG01309100	1	KEY 10X8X50	
20	KT1914010001	1	V-BELT PULLEY 4 SPB Ø315MM	
21	KT2424100061	1	BRACKET	
22	KT2419700094	1	GUARD, OUTER	
23	KT5619200086	1	SPRING	
24	KT56191200	1	T-BOLT	
25	KT99202431	1	V-BELT SET ( SET = 4 EA)	
26	KT2420100061	1	LATCH	
27	KT1915900094	1	GUARD	
28	KT24287000	1	DECAL KVERNELAND TAARUP 2624	
29	KT9062900061	1	DISC	



## 2624 / Spring, hydraulic cylinder



PosNo.	Part No.	Qty.	Description	Remark
1	KT9079400097	1	HYDRAULIC CYLINDER Ø60 X Ø30	
2	KT99413201	1	GASKET SET F. CYLINDER	
3	KT2422300061	1	HOOP	
4	KT2422400061	2	COTTER BOLT	
5	KT2422220061	1	NUT M22	
6	KT2420300061	1	THREADED SPACER	
7	KT2420200061	1	LATCH	
8	KT24242100	1	NOZZLE Ø 2,0 MM	
9	KT99402929	1	ANGEL SCREW-JOINT 90	
10	KT5649800061	1	PRESSURE RING	
11	KT5618600061	1	TUBE HOLDER	
12	KT24260000	1	HYDRAULIC HOSE L=2740MM	
13	KT60245000	1	PROTECTION CAP	
14	KT60149000	1	QUICK COUPLING 1/2"	
15	KT2421610061	1	THREADED ROD	
16	KT24214000	1	PLASTIC WASHER	
17	KG01268061	1	WASHER M22	
18	KT2414910063	1	SPRING N=48 - Ø17MM	
19	KT52147000	1	COTTER BOLT	
20	KT2421800061	1	HINGE	

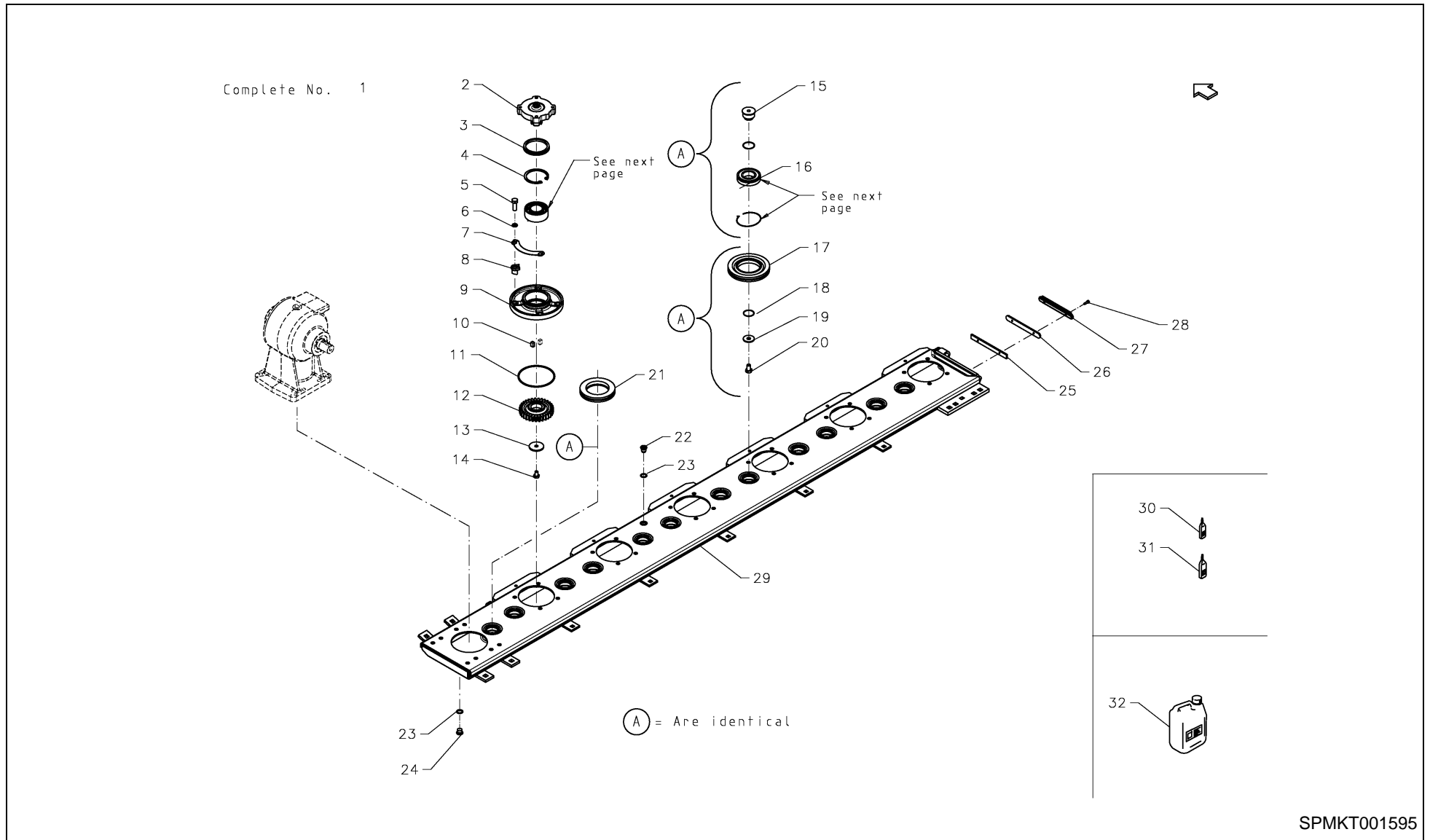


## 2624 / Transmission



PosNo.	Part No.	Qty.	Description	Remark
1	KT24924000	1	BEVEL GEAR, COMPLETE	
2	KT99250592	1	COVER	
3	KG00474061	6	HEX. SCREW M10X20 8.8	
4	KT99251238	1	COVER	
5	KG01130500	2	CIRCLIP-B 72 X 2.5	
6	KT99250910	2	WASHER	
7	KT99106105	1	ROLLER BEARING 32207	
8	KT99251239	1	AXLE	
9	KT99354026	1	PARALLEL KEY	
10	KG01799100	1	TAPER ROLLER BEARING 30207	
11	KT99250987	1	SEAL RING	
12	KT99251148	1	AIRPLUG 3/8"	
13	KT99250982	2	OIL PLUG 3/8"	
14	KT99106225	1	ROLLER BEARING 30307	
15	KT99250946	1	WASHER Ø35,3-Ø48	
16	KG01130900	2	CIRCLIP-B 80 X 2.5	
17	KT99424074	1	OIL SEAL 35/80-10	
18	KG01360700	1	BALL BEARING 6011-2RS	
19	KT99251168	1	TOOTH WHEEL Z=31	
20	KT99251172	1	SHIM 10,2 X 17,8	
21	KT99251171	1	SHIM 10,2 X 17,8	
22	KT99251170	1	WASHER	
23	KG00474361	1	HEX. SCREW M10X30 8.8	
24	KT55677300	1	GEAR WHEEL SET Z=13/36	
25	KT99251237	1	GEAR BOX CASING	
26	KT10105000	1	OIL CAN 5 LTR.	

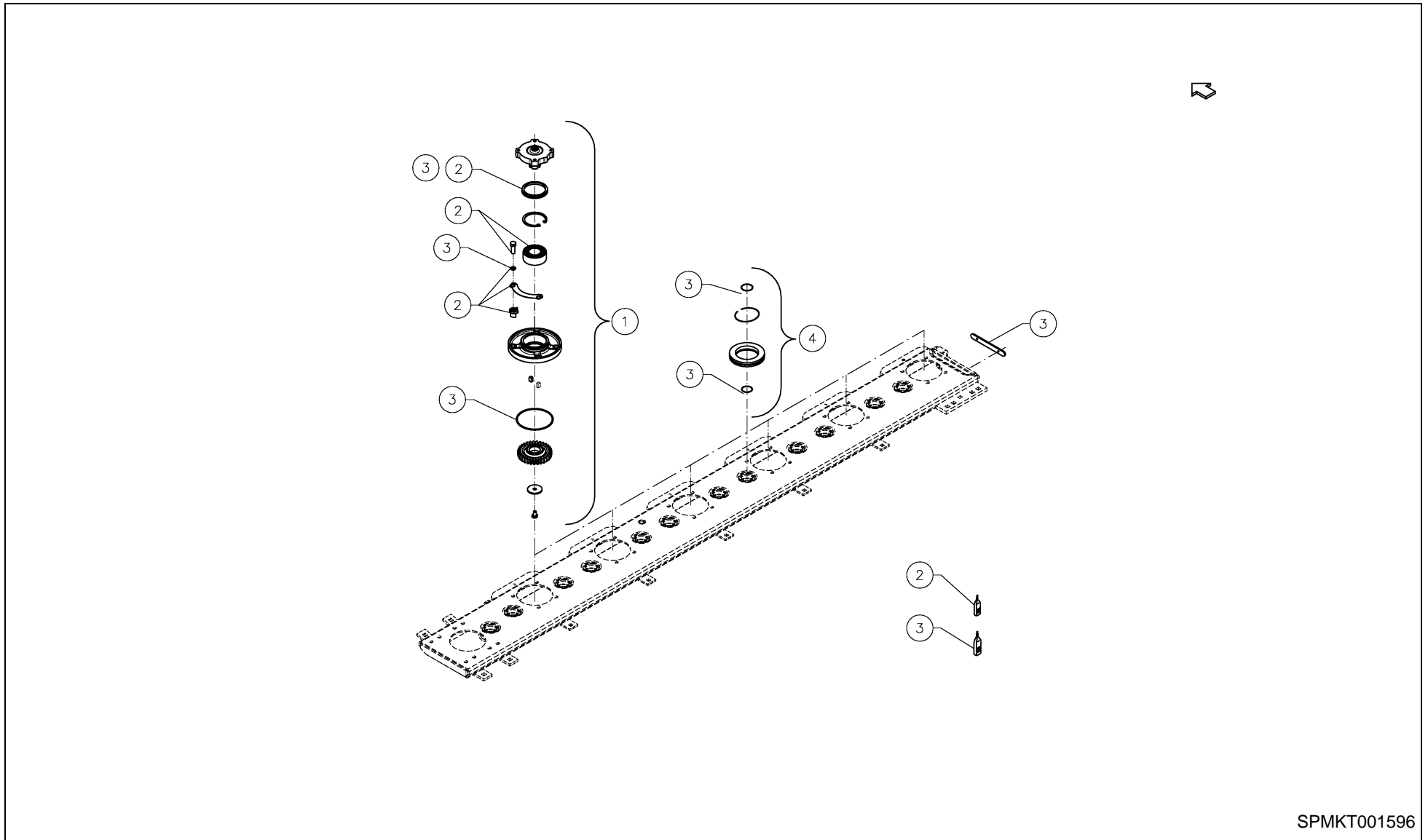
# 2624 / Cutterbar, complete



## 2624 / Cutterbar, complete



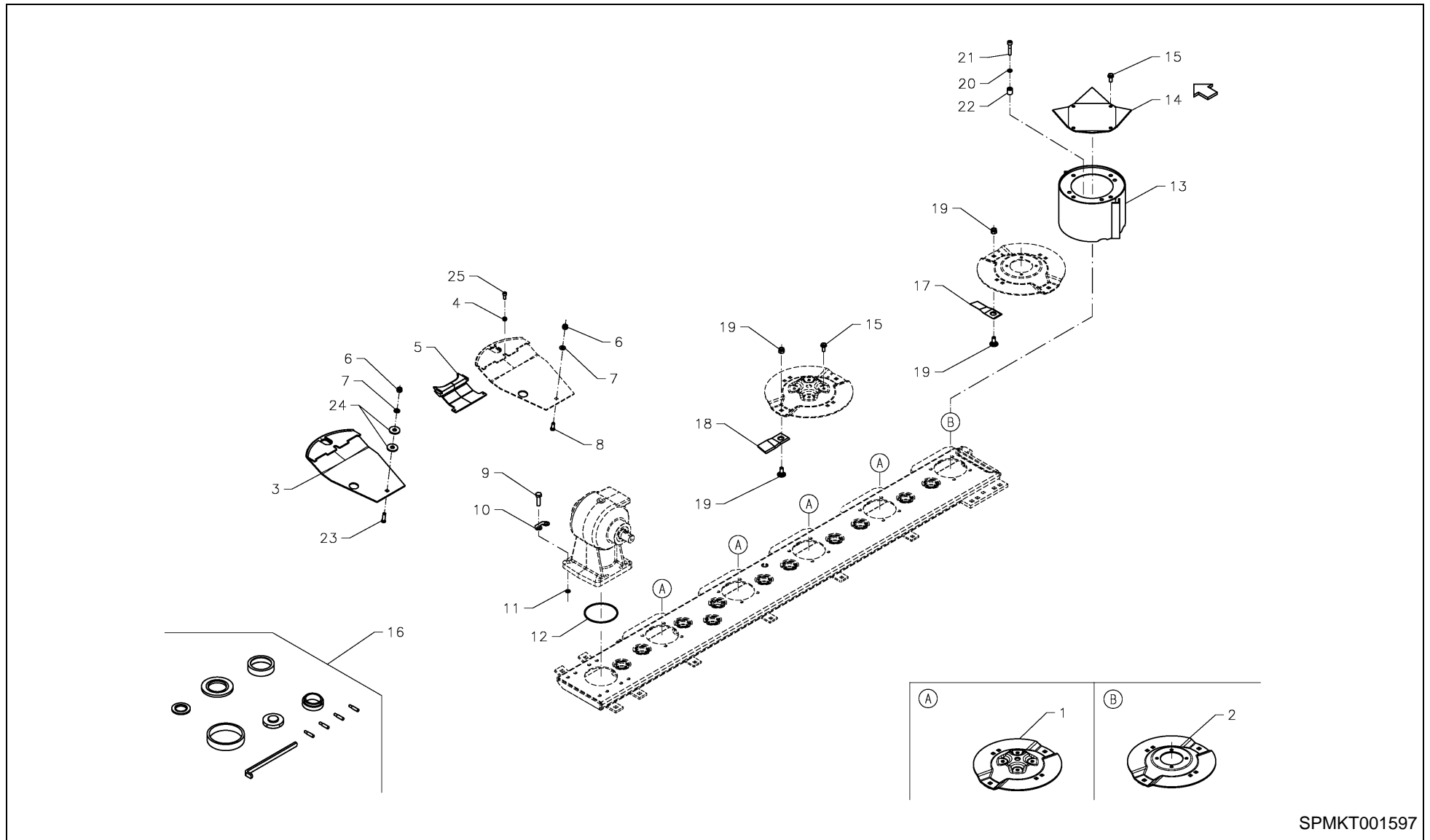
PosNo.	Part No.	Qty.	Description	Remark
1	KT5532010086	1	6-DISC CUTTERBAR, COMPLETE	
2	KT5512310001	6	HUB	
3	KT99421068	6	SEALING RING 75A	
4	KG01130900	6	CIRCLIP-B 80 X 2.5	
5	KG01840800	24	HEX. SCREW M12X35 10.9 4017	
6	KT99420109	24	OIL SEAL Ø10,69X3,53	
7	KT5572910061	12	LOCK PLATE	
8	KT5564610001	24	NUT	
9	KT5512200001	6	CASING	
10	KT99354123	12	KEY B10-8-16	
11	KT99420286	6	OIL SEAL Ø120,24X3,53	
12	KT5574920001	6	GEAR WHEEL Z=31	
13	KT5515400001	6	WASHER 11/50-4	
14	KG00473961	6	HEX. SCREW M10X16 8.8	
15	KT5564400001	12	AXLE JOURNAL	
16	KT99420238	12	OIL SEAL Ø37,1 X 1,6	
17	KT5564110001	11	GEAR WHEEL Z=39	
18	KT99420125	12	OIL SEAL Ø34,2X3	
19	KT5567000001	12	WASHER	
20	KG00476261	12	HEX. SCREW M12X20 8.8	
21	KT5564210001	1	GEAR WHEEL Z=32	
22	KT99462633	1	PLUG M16X1,5	
23	KT99462718	2	DISC Ø16-Ø22X1	
24	KT99458109	1	TUBE PLUG M16X1,5	
25	KT5565000001	1	PATCH	
26	KT55651000	1	GASKET	
27	KT5564900061	1	COVER	
28	KG00542161	2	CHEESE HEAD SCREW M5X16 8.8	
29	KT5515900086	1	6-DISC CUTTERBAR	
30	KT99457134	1	LOCTITE TUBE 3 G	
31	KT99457135	1	LOCTITE TUBE 10 G	
32	KT10105000	1	OIL CAN 5 LTR.	



## 2624 / Cutterbar, spare parts set



PosNo.	Part No.	Qty.	Description	Remark
1	KT55244200	1	CASING WITH 2 KEYS, COMPLETE	
2	KT55705300	1	SPARE PARTS SET	
3	KT55710300	1	GASKET KIT	
4	KT55706100	1	SET OF BEARING	

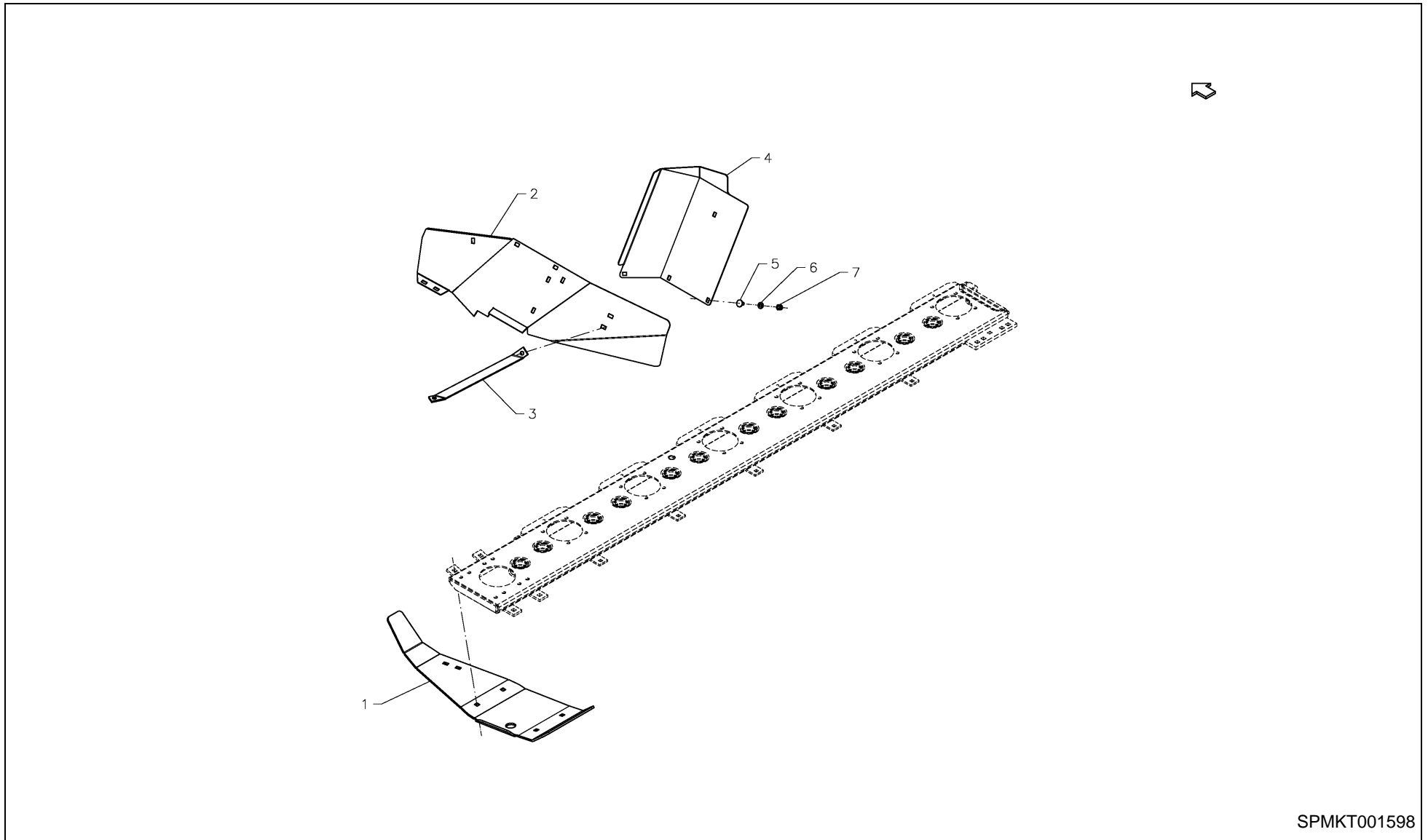


SPMKT001597

## 2624 / Cutterbar



PosNo.	Part No.	Qty.	Description	Remark
1	KT5513400094	5	CUTTING DISC	
2	KT5513300094	1	CUTTING DISC	
3	KT5512510086	6	WEARING SOLE	
4	KG01067561	6	LOCK NUT M8 8	
5	KT5513910086	5	COUNTER KNIFE	
6	KG01064161	6	LOCK NUT M10 8	
7	KG01267461	6	WASHER M10	
8	KT45429000	5	PLOUGH BOLT M10-30	
9	KT99328825	8	STEEL BOLT	
10	KT5568820061	4	LOCK PLATE	
11	KT99420109	8	OIL SEAL Ø10,69X3,53	
12	KT99420286	1	OIL SEAL Ø120,24X3,53	
13	KT5515700094	1	HIGH CONE, AGGRESIVE	
14	KT5698900094	1	TOP PLATE	
15	KT99308826	24	STEEL BOLT (VERBUS RIBB BOLT) M10X20	
16	KT55695100	1	TOOL KIT FOR CUTTERBAR	
17	KT5611040001	6	KNIFE RH (126 MM)	
18	KT5611090001	5	KNIFE, LH (126 MM)	
19	KT56785000	1	KNIFE BOLT KIT CPL. (25 PCS.)	
20	KT99333832	4	LOCK WASHER 10,3 X 16,6 NORDLOCK	
21	KG01904300	4	CHEESE HEAD SCREW M10X50 12.9	
22	KT5539800061	4	BUSHING	
23	KT56149000	1	PLOUGH BOLT M10-40	
24	KT5627100061	2	WASHER Ø13-Ø40X4	
25	KG00545061	6	CHEESE HEAD SCREW M8X20 8.8	

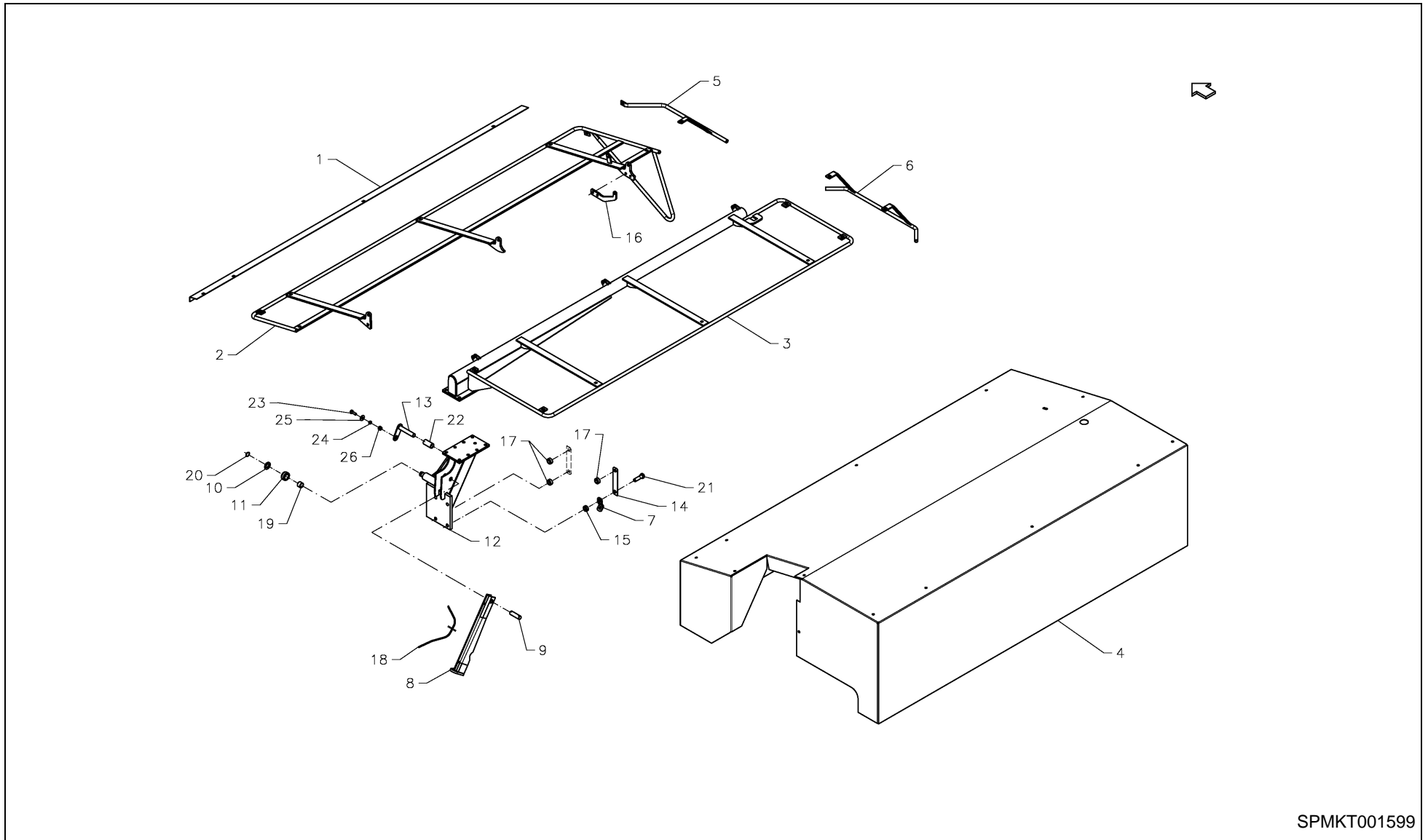


SPMKT001598

## 2624 / Swath boards



PosNo.	Part No.	Qty.	Description	Remark
1	KT2434800086	1	SKID	
2	KT5687430086	1	GUARD	
3	KT5689300086	1	SUPPORT	
4	KT2423510086	1	GUARD	
5	KT45432000	3	CARRIAGE BOLT M10-20	
6	KG01267461	3	WASHER M10	
7	KG01064161	3	LOCK NUT M10 8	

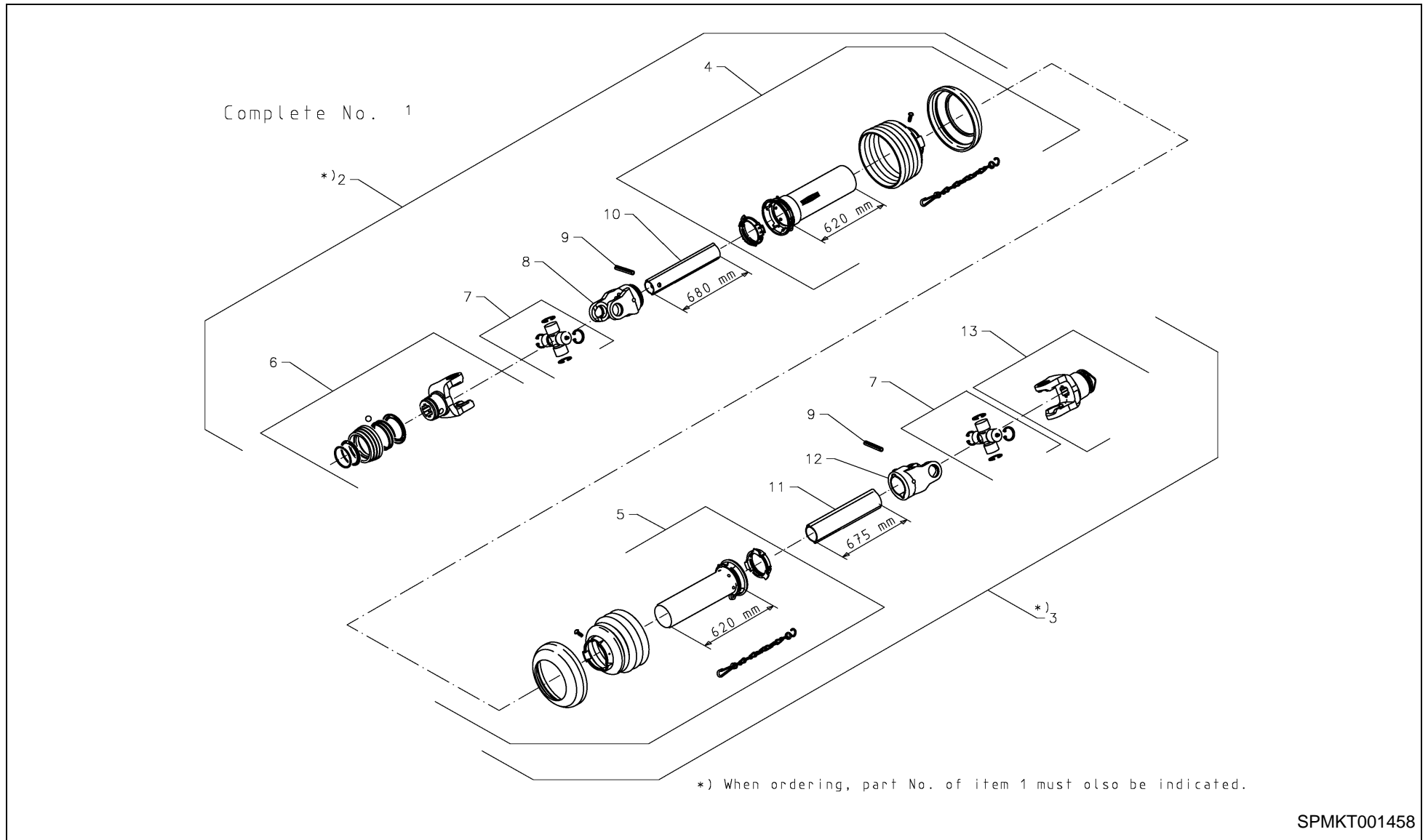


SPMKT001599

## 2624 / Tarpaulin



PosNo.	Part No.	Qty.	Description	Remark
1	KT2423100094	1	SKIRT ANGLE 2,4M	
2	KT2418510086	1	FRONT FRAME 2,4M	
3	KT2418910086	1	REAR FRAME 2,4M	
4	KT24288000	1	TARPAULIN 2,4M	
5	KT2420610094	1	PIPE STRAP	
6	KT2425100094	1	PIPE STRAP	
7	KT2421000061	1	BRACKET	
8	KT2419500086	1	BAR	
9	KT8536800061	1	PIN	
10	KT69676000	1	WASHER	
11	KT6244500061	1	BEARING	
12	KT2419210086	1	SHANK	
13	KT2452600061	1	EYE BOLT	
14	KT2422000061	2	LOCK PLATE	
15	KT2420800061	1	BUSHING	
16	KT2425000061	1	LOCK FITTING	
17	KT2420900061	3	BUSHING	
18	KT48953000	1	LINE	
19	KT99158065	1	GLACIER BUSHING PM 2520 DX	
20	KT99350215	1	SEEGERING RW 24-2	
21	KG00362061	4	HEX. BOLT M16X55 8.8	
22	KT2452700061	1	BUSHING	
23	KG00474361	1	HEX. SCREW M10X30 8.8	
24	KT3130700061	1	RING	
25	KG01260361	1	WASHER M10X30 ST	
26	KG01064161	1	LOCK NUT M10 8	

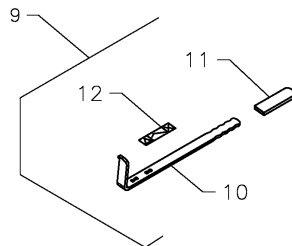
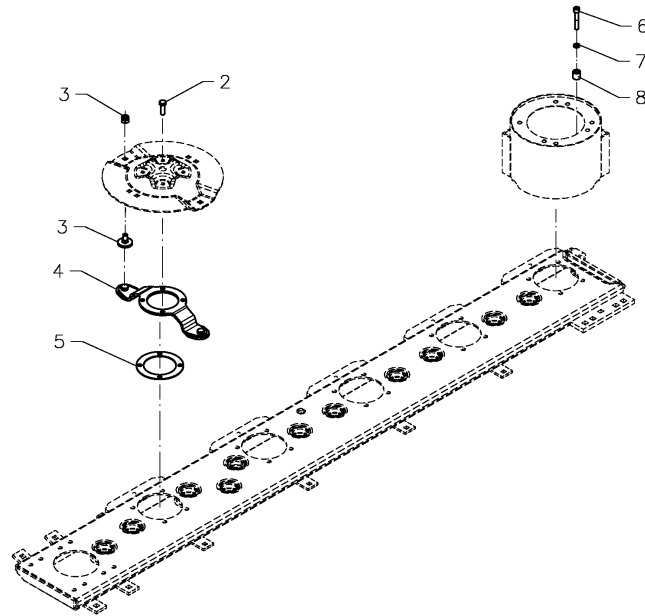


## 2624 / PTO shaft

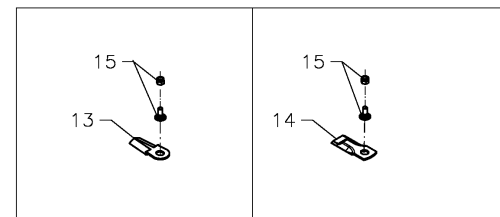


PosNo.	Part No.	Qty.	Description	Remark
1	KT99244330	1	PTO SHAFT W2300 SD15SW 810 F5/1R	Walterscheid No. 149884
2	KT99244582	1	PTO SHAFT INNER HALF, COMPLETE	
3	KT99244583	1	PTO SHAFT OUTER HALF, COMPLETE	
4	KT99244584	1	OUTER PROTECTION TUBE, COMPLETE	Walterscheid No. 116169
5	KT99244585	1	INNER PROTECTION TUBE, COMPLETE	Walterscheid No. 116170
6	KT99244586	1	YOKE, COMPLETE	Walterscheid No. 133834
7	KT99244588	2	CROSS, COMPLETE	Walterscheid No. 116403
8	KT99235524	1	YOKE	Walterscheid No. 041315
9	KT99330583	2	PIPE PIN	Walterscheid No. 020614
10	KT99244589	1	INNER PROFILE TUBE	Walterscheid No. 135936
11	KT99244591	1	OUTER PROFILE TUBE	Walterscheid No. 136155
12	KT99244592	1	YOKE	Walterscheid No. 041318
13	KT99244587	1	OVERRUN CLUTCH	Walterscheid No. 172630

Optional equipment 1



Optional equipment

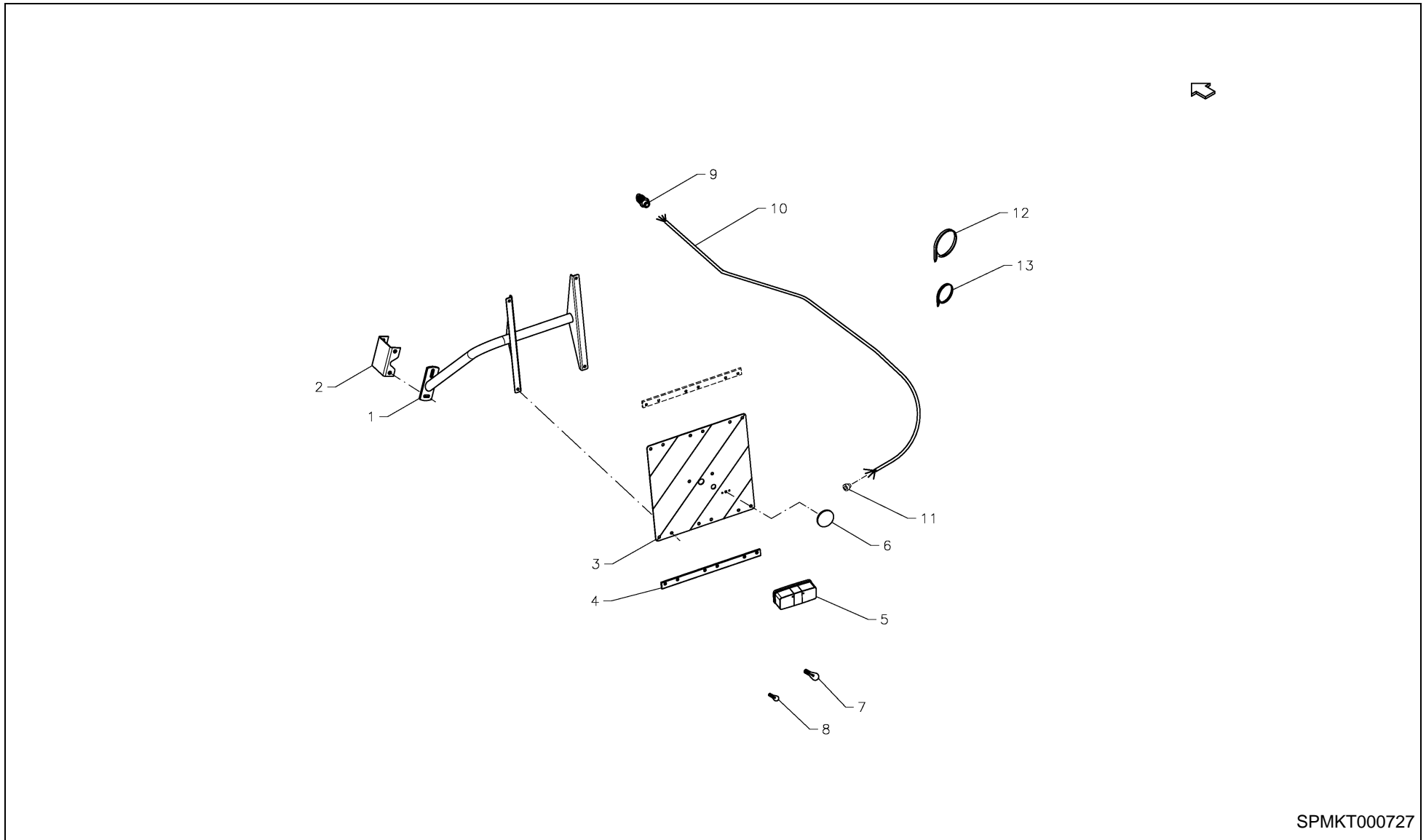


SPMKT001600

## 2624 / Optional equipment



PosNo.	Part No.	Qty.	Description	Remark
1	ACCESSOIRE	1	PLEASE CONTACT YOUR DEALER	
2	KT99308832	24	STEEL BOLT M10X35 10.9(VERBUS RIBB BOLT)	
3	KT56998000	1	KIT OF KNIFE BOLT (25 PCS.)	
4	KT5518800086	6	SPRING, COMPLETE	
5	KT5518600061	6	WASHER	
6	KG01904500	8	CHEESE HEAD SCREW M10X60 12.9	
7	KT99333832	8	LOCK WASHER 10,3 X 16,6 NORDLOCK	
8	KT5539800061	8	BUSHING	
9	KT55177000	1	TOOL COMPLETE	
10	KT5517400061	1	TOOL	
11	KT38218000	1	PLASTIC HANDLE	
12	KT55769000	1	DECAL	
13	KT5611030001	25	KNIFE (128 MM)	
14	KT5611050001	25	KNIFE (131 MM)	
15	KT56785000	1	KNIFE BOLT KIT CPL. (25 PCS.)	

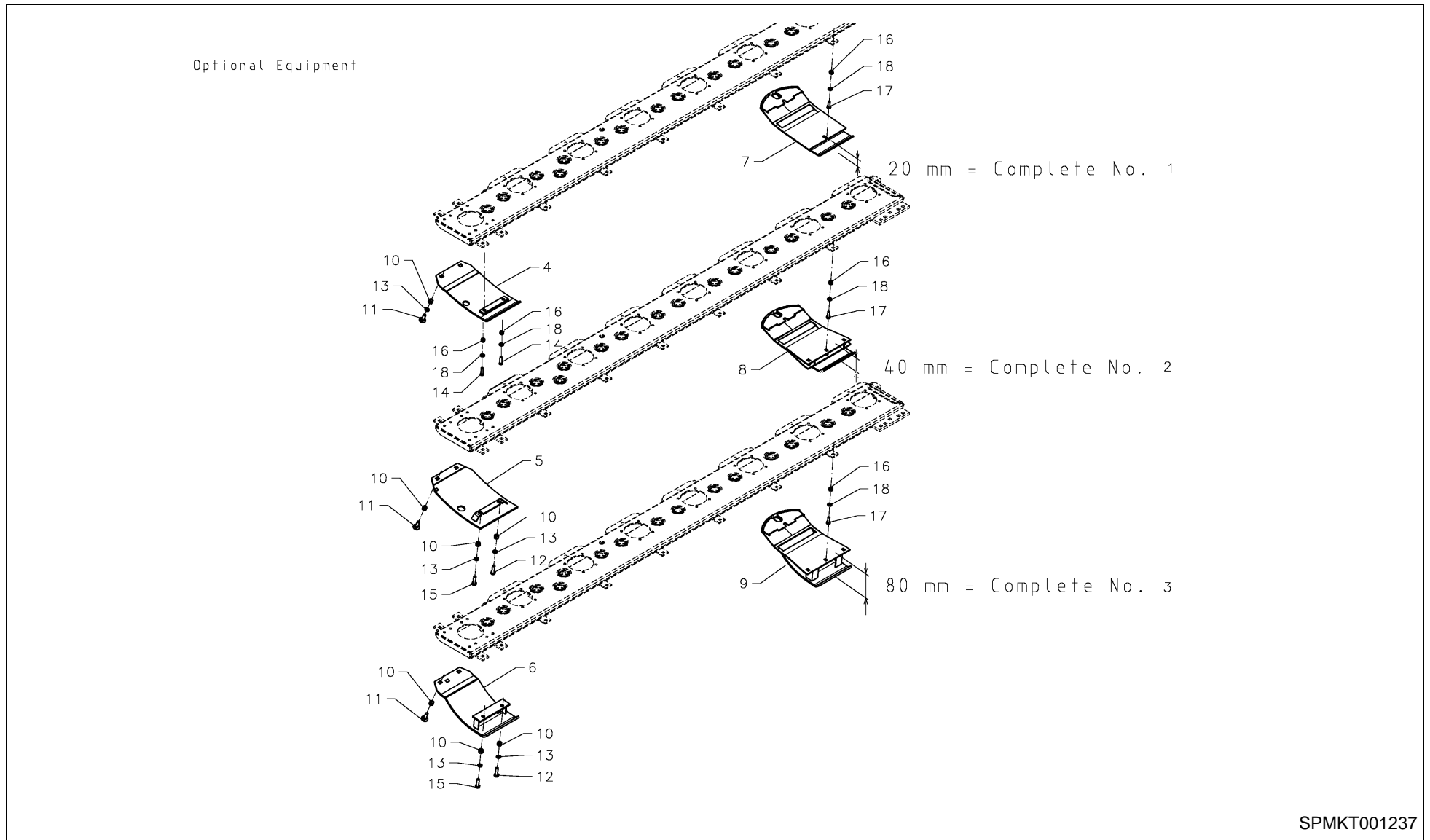


SPMKT000727

## 2624 / Optional equipment



PosNo.	Part No.	Qty.	Description	Remark
1	KT2427300086	1	HOOP	
2	KT2419810061	1	BRACKET	
3	KT67420000	1	WARNING SIGN	
4	KT6742100061	2	RAIL	
5	KT99474335	1	REAR LIGHT	
6	KT99458346	1	REFLEX	
7	KT99477138	2	LIGHTING BULB 12V 21W	
8	KT99477137	1	LIGHTING BULB 12 10W	
9	KT99478196	1	7 PIN PLUG	
10	KT56678000	1	CABLE L=7000MM	
11	KT99478237	1	LEAD IN	
12	KT99478390	3	LE GRAND CABLE TIE 31916	
13	KT99478389	5	CABLE TIE	

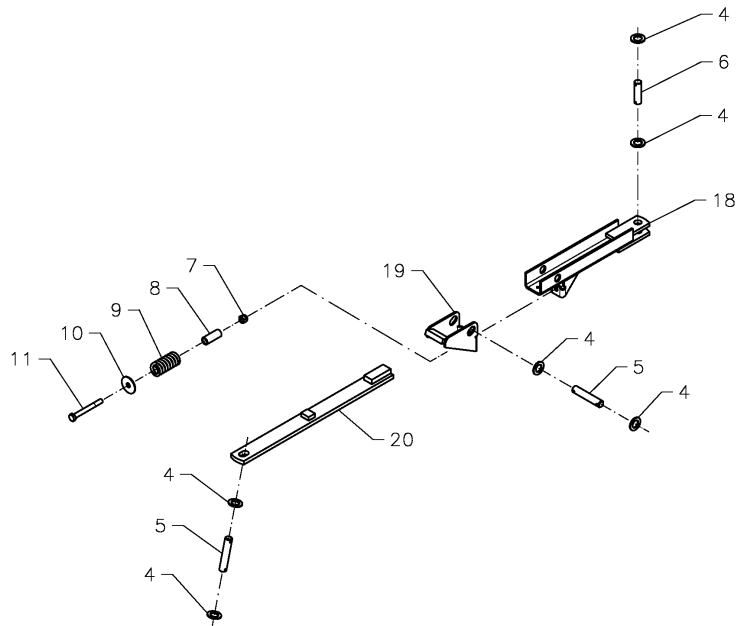


## 2624 / Optional equipment

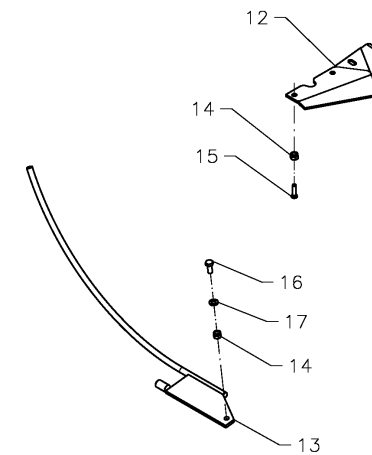


PosNo.	Part No.	Qty.	Description	Remark
1	ACCESSOIRE	1	PLEASE CONTACT YOUR DEALER	
2	ACCESSOIRE	1	PLEASE CONTACT YOUR DEALER	
3	ACCESSOIRE	1	PLEASE CONTACT YOUR DEALER	
4	KT2434200086	1	HIGH STONE GUARD 20MM	
5	KT5657630086	1	WEARING PLATE	
6	KT2428400086	1	WEARING PLATE	
7	KT5535000086	1	HIGH STONE GUARD 20MM	
8	KT5524000086	1	HIGH STONE GUARD 40 MM	
9	KT5515300086	1	HIGH STONE GUARD 80 MM	
10	KG01064261	2	LOCK NUT M12 8	
11	KG00645061	2	CARRIAGE BOLT M12X40 8.8	
12	KG00476761	1	HEX. SCREW M12X40 8.8	
13	KG01267561	2	WASHER M12	
14	KT33501000	2	PLOUGHBOLT	
15	KG00476861	1	HEX. SCREW M12X45 8.8	
16	KG01064161	3	LOCK NUT M10 8	
17	KG00474361	3	HEX. SCREW M10X30 8.8	
18	KG01267461	3	WASHER M10	

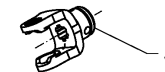
Complete No. 1



Complete No. 2



8 spline



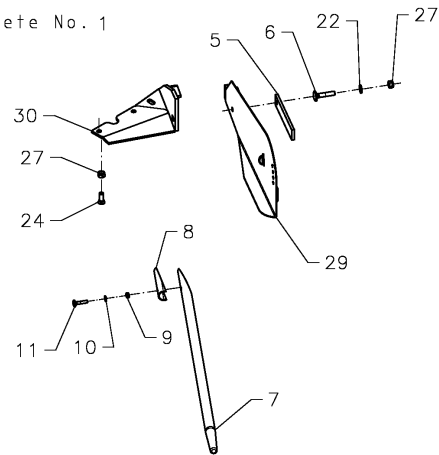
SPMKT001240

## 2624 / Optional equipment

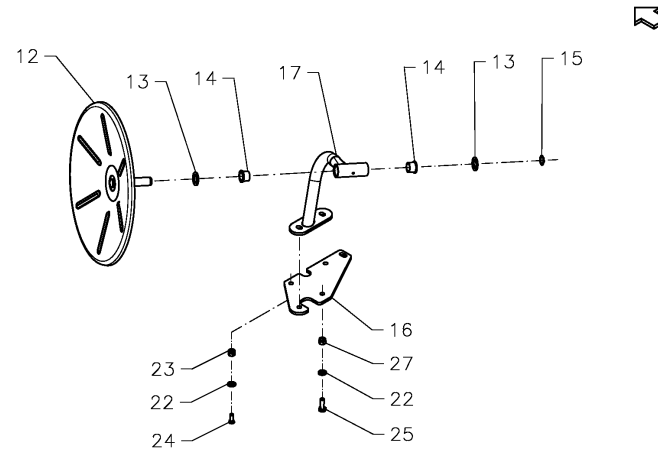


PosNo.	Part No.	Qty.	Description	Remark
1	ACCESSOIRE	1	PLEASE CONTACT YOUR DEALER	
2	ACCESSOIRE	1	PLEASE CONTACT YOUR DEALER	
3	KT99244503	1	PTO YOKE 8 SPLINE SW. HITCH	
4	KG01267961	6	WASHER M20	
5	KT1922100061	2	COTTER BOLT	
6	KT8536800061	1	PIN	
7	KG01064261	1	LOCK NUT M12 8	
8	KT1922200061	1	BUSHING	
9	KT4837700061	1	SPRING	
10	KT6616300061	1	WASHER	
11	KG00358461	1	HEX. BOLT M12X110 8.8	
12	KT2428200086	1	BRACKET, RH	
13	KT5685610086	1	STRAW DIVIDER	
14	KG01064261	3	LOCK NUT M12 8	
15	KT4543100061	2	PLOUGH BOLT M12X35	
16	KG00476561	1	HEX. SCREW M12X30 8.8	
17	KT99333015	1	WASHER (DISC)	
18	KT1921800086	1	GUIDE	
19	KT1921900086	1	LATCH	
20	KT1922000086	1	DRAWBAR	

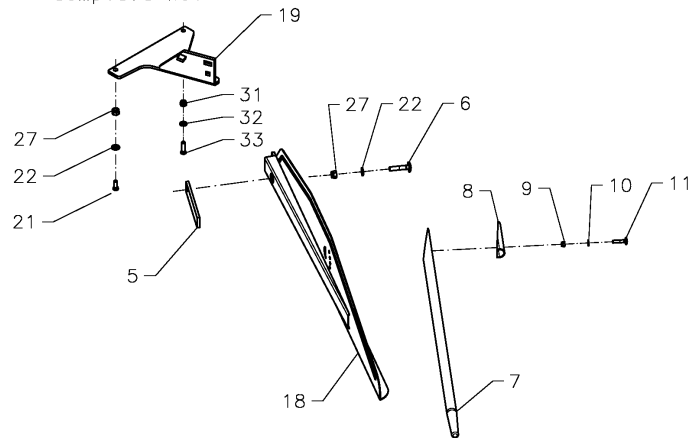
Complete No. 1



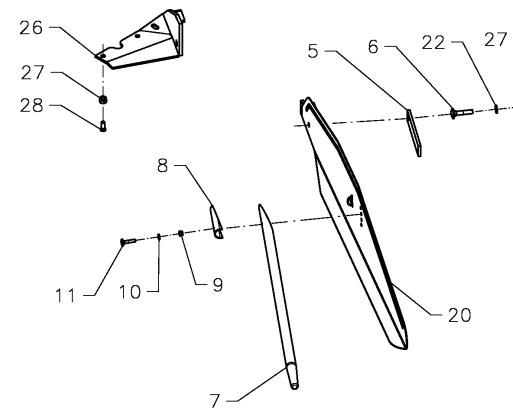
Complete No. 2



Complete No. 3



Complete No. 4

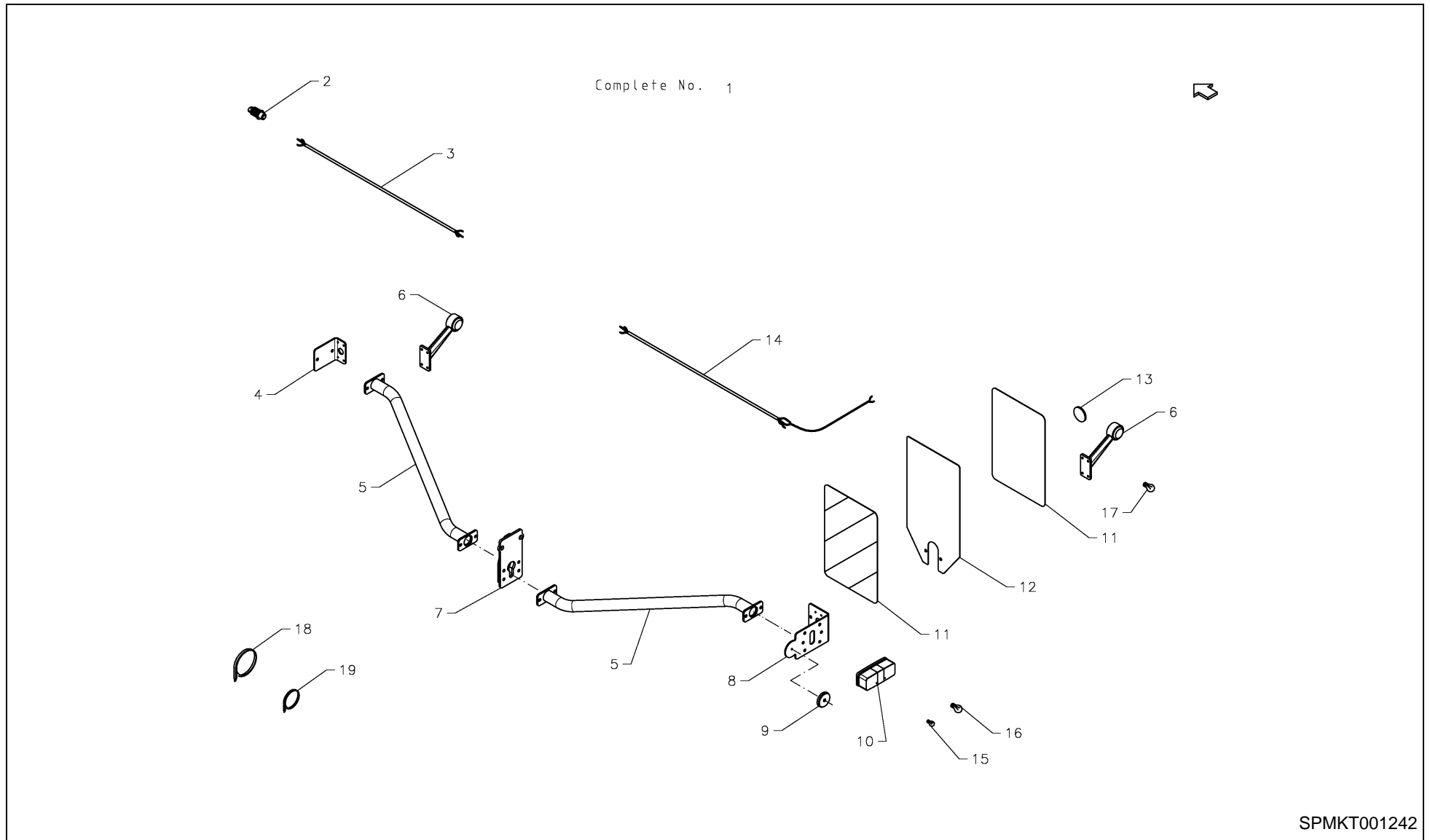


SPMKT001593

## 2624 / Optional equipment



PosNo.	Part No.	Qty.	Description	Remark
1	ACCESSOIRE	1	PLEASE CONTACT YOUR DEALER	
2	ACCESSOIRE	1	PLEASE CONTACT YOUR DEALER	
3	ACCESSOIRE	1	PLEASE CONTACT YOUR DEALER	
4	ACCESSOIRE	1	PLEASE CONTACT YOUR DEALER	
5	KT5644200061	1	LEAF SPRING	
6	KG00668761	1	CARRIAGE BOLT M12X60 4.6	
7	KT56188000	1	GRASS STICK	
8	KT5618710061	1	BRACKET	
9	KG01064061	1	LOCK NUT M8 8	
10	KG01267361	1	WASHER M8	
11	KG00667661	1	CARRIAGE BOLT M8X40 4.6	
12	KT1946000086	1	SWATH ROLLER Ø500MM	
13	KT4540500061	2	WASHER	
14	KT99155025	2	NYLON BUSHING	
15	KG01108300	1	OUTER RETAINING RING-A 25 X 1.2	
16	KT2433400086	1	PLATE	
17	KT5684010086	1	BRACKET FOR SWATH DISC	
18	KT5650110086	1	SWATH BOARD, LH	
19	KT2428300086	1	BRACKET, LH	
20	KT5618530086	1	SWATH BOARD, RH	
21	KT4539500061	1	PLOUGH BOLT M12-45	
22	KG01267561	2	WASHER M12	
23	KG01073361	2	LOCK NUT M12 10	
24	KT4543100061	2	PLOUGH BOLT M12X35	
25	KG00476661	2	HEX. SCREW M12X35 8.8	
26	KT2428200086	1	BRACKET, RH	
27	KG01064261	1	LOCK NUT M12 8	
28	KT4543100061	2	PLOUGH BOLT M12X35	
29	KT5650410086	1	SWATH BOARD	
30	KT2428200086	1	BRACKET, RH	
31	KG01064161	1	LOCK NUT M10 8	
32	KG01267461	1	WASHER M10	
33	KT56149000	1	PLOUGH BOLT M10-40	



SPMKT001242

## 2624 / Optional equipment



PosNo.	Part No.	Qty.	Description	Remark
1	ACCESSOIRE	1	PLEASE CONTACT YOUR DEALER	
2	KT99478196	1	7 PIN PLUG	
3	KT91168100	1	CABLE L=4500MM	
4	KT2435200086	1	BRACKET FOR SIDELIGHT	
5	KT2435500086	2	BOOM FOR LIGHT	
6	KT99474348	2	SIDE LIGHT RED/WHITE	
7	KT2435800086	1	BRACKET FOR BOOM	
8	KT2435100086	1	BRACKET FOR REAR LIGHT	
9	VF16623510	1	REAR REFLECTOR	
10	KT99474335	1	REAR LIGHT	
11	KT99458383	2	RED/WHITE FOIL 423X282 RIGHT HAND	
12	KT2435400086	1	PLATE FOR WARNING FOIL	
13	VF06214037	1	REAR REFLECT. YELLOW	
14	KT91937000	1	CABLE L=4500MM	
15	KT99477137	1	LIGHTING BULB 12 10W	
16	KT99477138	2	LIGHTING BULB 12V 21W	
17	KT99477133	2	LIGHTING BULB 12V 5W	
18	KT99478390	8	LE GRAND CABLE TIE 31916	
19	KT99478389	4	CABLE TIE	

## 2624 / Part No Index



Part No.	Page	Pos No	Part No.	Page	Pos No	Part No.	Page	Pos No	Part No.	Page	Pos No
ACCESSOIRE	11	1	KG01064161	13	16	KT191390001	2	14	KT2420700061	1	5
ACCESSOIRE	13	1	KG01064161	15	31	KT191401001	2	20	KT2420800061	9	15
ACCESSOIRE	13	2	KG01064261	13	10	KT1915900094	2	27	KT2420900061	9	17
ACCESSOIRE	13	3	KG01064261	14	14	KT1921800086	14	18	KT2421000061	9	7
ACCESSOIRE	14	1	KG01064261	14	7	KT1921900086	14	19	KT2421200061	2	7
ACCESSOIRE	14	2	KG01064261	15	27	KT1922000086	14	20	KT24214000	3	16
ACCESSOIRE	15	1	KG01067561	7	4	KT1922100061	14	5	KT2421610061	3	15
ACCESSOIRE	15	2	KG01073361	15	23	KT1922200061	14	8	KT2421800061	3	20
ACCESSOIRE	15	3	KG01108300	15	15	KT1940800061	1	4	KT2422000061	9	14
ACCESSOIRE	15	4	KG01130500	2	4	KT1946000086	15	12	KT2422220061	3	5
ACCESSOIRE	16	1	KG01130500	4	5	KT2414910063	3	18	KT2422300061	3	3
KG00358461	14	11	KG01130900	4	16	KT2417610094	1	1	KT2422400061	3	4
KG00362061	9	21	KG01130900	5	4	KT2417810094	2	10	KT2422500001	2	2
KG00473961	5	14	KG01260361	9	25	KT2417900061	1	7	KT2423100094	9	1
KG00474061	4	3	KG01267361	15	10	KT2418000061	1	8	KT2423510086	8	4
KG00474361	4	23	KG01267461	7	7	KT2418200061	1	3	KT2424100061	2	21
KG00474361	9	23	KG01267461	8	6	KT2418300086	2	5	KT24242100	3	8
KG00474361	13	17	KG01267461	13	18	KT2418510086	9	2	KT2424300061	1	2
KG00476261	5	20	KG01267461	15	32	KT2418910086	9	3	KT2425000061	9	16
KG00476561	14	16	KG01267561	13	13	KT2419210086	9	12	KT2425100094	9	6
KG00476661	2	18	KG01267561	15	22	KT2419300061	2	8	KT24260000	3	12
KG00476661	15	25	KG01267961	14	4	KT2419400094	2	11	KT2427300086	12	1
KG00476761	13	12	KG01268061	3	17	KT2419500086	9	8	KT2428200086	14	12
KG00476861	13	15	KG01281861	2	17	KT2419600061	2	6	KT2428200086	15	26
KG00542161	5	28	KG01309100	2	19	KT2419700094	2	22	KT2428200086	15	30
KG00545061	7	25	KG01360700	4	18	KT2419800061	2	13	KT2428300086	15	19
KG00645061	13	11	KG01381100	2	3	KT2419810061	12	2	KT2428400086	13	6
KG00667661	15	11	KG01799100	4	10	KT2419900094	2	12	KT24287000	2	28
KG00668761	15	6	KG01840800	5	5	KT2420000086	1	10	KT24288000	9	4
KG01064061	15	9	KG01904300	7	21	KT2420100061	2	26	KT24304000	1	12
KG01064161	7	6	KG01904500	11	6	KT2420200061	3	7	KT2433400086	15	16
KG01064161	8	7	KT10105000	4	26	KT2420300061	3	6	KT2434200086	13	4
KG01064161	9	26	KT10105000	5	32	KT2420610094	9	5	KT2434800086	8	1

## 2624 / Part No Index



Part No.	Page	Pos No	Part No.	Page	Pos No	Part No.	Page	Pos No	Part No.	Page	Pos No
KT2435100086	16	8	KT55177000	11	9	KT5618600061	3	11	KT91168100	16	3
KT2435200086	16	4	KT5518600061	11	5	KT5618710061	15	8	KT91937000	16	14
KT2435400086	16	12	KT5518800086	11	4	KT56188000	15	7	KT99106105	4	7
KT2435500086	16	5	KT5524000086	13	8	KT56191200	2	24	KT99106225	4	14
KT2435800086	16	7	KT55244200	6	1	KT5619200086	2	23	KT99155025	15	14
KT2452600061	9	13	KT5532010086	5	1	KT5627100061	7	24	KT99158058	2	9
KT2452700061	9	22	KT5535000086	13	7	KT5644200061	15	5	KT99158065	9	19
KT24924000	4	1	KT5539800061	7	22	KT56454000	2	16	KT99202431	2	25
KT3130700061	9	24	KT5539800061	11	8	KT5649800061	3	10	KT99235524	10	8
KT33501000	13	14	KT5564110001	5	17	KT5650110086	15	18	KT99244330	10	1
KT38218000	11	11	KT5564210001	5	21	KT5650410086	15	29	KT99244503	14	3
KT4539500061	15	21	KT5564400001	5	15	KT5657630086	13	5	KT99244506	2	1
KT4540500061	15	13	KT5564610001	5	8	KT56678000	12	10	KT99244582	10	2
KT45429000	7	8	KT5564900061	5	27	KT56785000	7	19	KT99244583	10	3
KT4543100061	14	15	KT5565000001	5	25	KT56785000	11	15	KT99244584	10	4
KT4543100061	15	24	KT55651000	5	26	KT5684010086	15	17	KT99244585	10	5
KT4543100061	15	28	KT5567000001	5	19	KT5685610086	14	13	KT99244586	10	6
KT45432000	8	5	KT55677300	4	24	KT5687430086	8	2	KT99244587	10	13
KT4736400061	1	6	KT5568820061	7	10	KT5689300086	8	3	KT99244588	10	7
KT4837700061	14	9	KT55695100	7	16	KT5698900094	7	14	KT99244589	10	10
KT48953000	9	18	KT55705300	6	2	KT56998000	11	3	KT99244591	10	11
KT52147000	3	19	KT55706100	6	4	KT60149000	3	14	KT99244592	10	12
KT5512200001	5	9	KT55710300	6	3	KT60245000	3	13	KT99250592	4	2
KT5512310001	5	2	KT5572910061	5	7	KT6244500061	9	11	KT99250910	4	6
KT5512510086	7	3	KT5574920001	5	12	KT6616300061	14	10	KT99250946	4	15
KT5513300094	7	2	KT55769000	11	12	KT6715400061	1	9	KT99250982	4	13
KT5513400094	7	1	KT5611030001	11	13	KT67420000	12	3	KT99250987	4	11
KT5513910086	7	5	KT5611040001	7	17	KT6742100061	12	4	KT99251148	4	12
KT5515300086	13	9	KT5611050001	11	14	KT69676000	9	10	KT99251168	4	19
KT5515400001	5	13	KT5611090001	7	18	KT8536800061	9	9	KT99251170	4	22
KT5515700094	7	13	KT56149000	7	23	KT8536800061	14	6	KT99251171	4	21
KT5515900086	5	29	KT56149000	15	33	KT9062900061	2	29	KT99251172	4	20
KT5517400061	11	10	KT5618530086	15	20	KT9079400097	3	1	KT99251237	4	25

## 2624 / Part No Index



Part No.	Page	Pos No	Part No.	Page	Pos No
KT99251238	4	4	KT99477133	16	17
KT99251239	4	8	KT99477137	12	8
KT99308826	7	15	KT99477137	16	15
KT99308832	11	2	KT99477138	12	7
KT99328825	7	9	KT99477138	16	16
KT99330583	10	9	KT99478196	12	9
KT99333015	14	17	KT99478196	16	2
KT99333832	7	20	KT99478237	12	11
KT99333832	11	7	KT99478389	12	13
KT99350215	9	20	KT99478389	16	19
KT99354026	2	15	KT99478390	12	12
KT99354026	4	9	KT99478390	16	18
KT99354123	5	10	VF06214037	16	13
KT99402929	3	9	VF16623510	16	9
KT99413201	3	2	VNB1326493	1	11
KT99420109	5	6			
KT99420109	7	11			
KT99420125	5	18			
KT99420238	5	16			
KT99420286	5	11			
KT99420286	7	12			
KT99421068	5	3			
KT99424074	4	17			
KT99457134	5	30			
KT99457135	5	31			
KT99458109	5	24			
KT99458346	12	6			
KT99458383	16	11			
KT99462633	5	22			
KT99462718	5	23			
KT99474335	12	5			
KT99474335	16	10			
KT99474348	16	6			



**2624**

KT 411.022 < Mach. ID <=

Kverneland Group Kerteminde AS  
Taarupstrandvej 25  
DK-5300 Kerteminde  
Denmark  
+45 65 19 19 00  
+45 65 19 19 99

© Kverneland Group

All rights reserved. No parts of this book may be reproduced, stored in a database or retrieval system, or published in any form or in any way, electronically, mechanically, optically, by print, photo print, microfilm (including micro and macro fiche), or any other means, including all video and CD systems, without prior written permission from the publisher.

Print date: 2011-06-27

