

4336LR

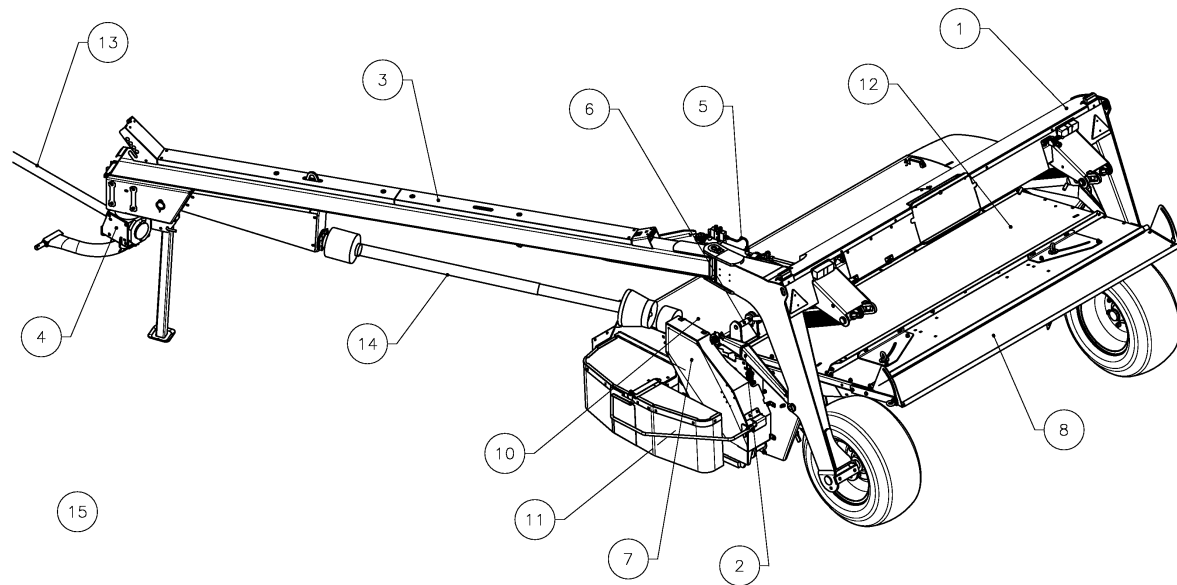
Spare Parts Manual

Article number: 90015175 Index 2011-12
Language: EN
Production year (from): 2011
Prod. Series nr (from):
KT 420.713 < Mach. ID <=

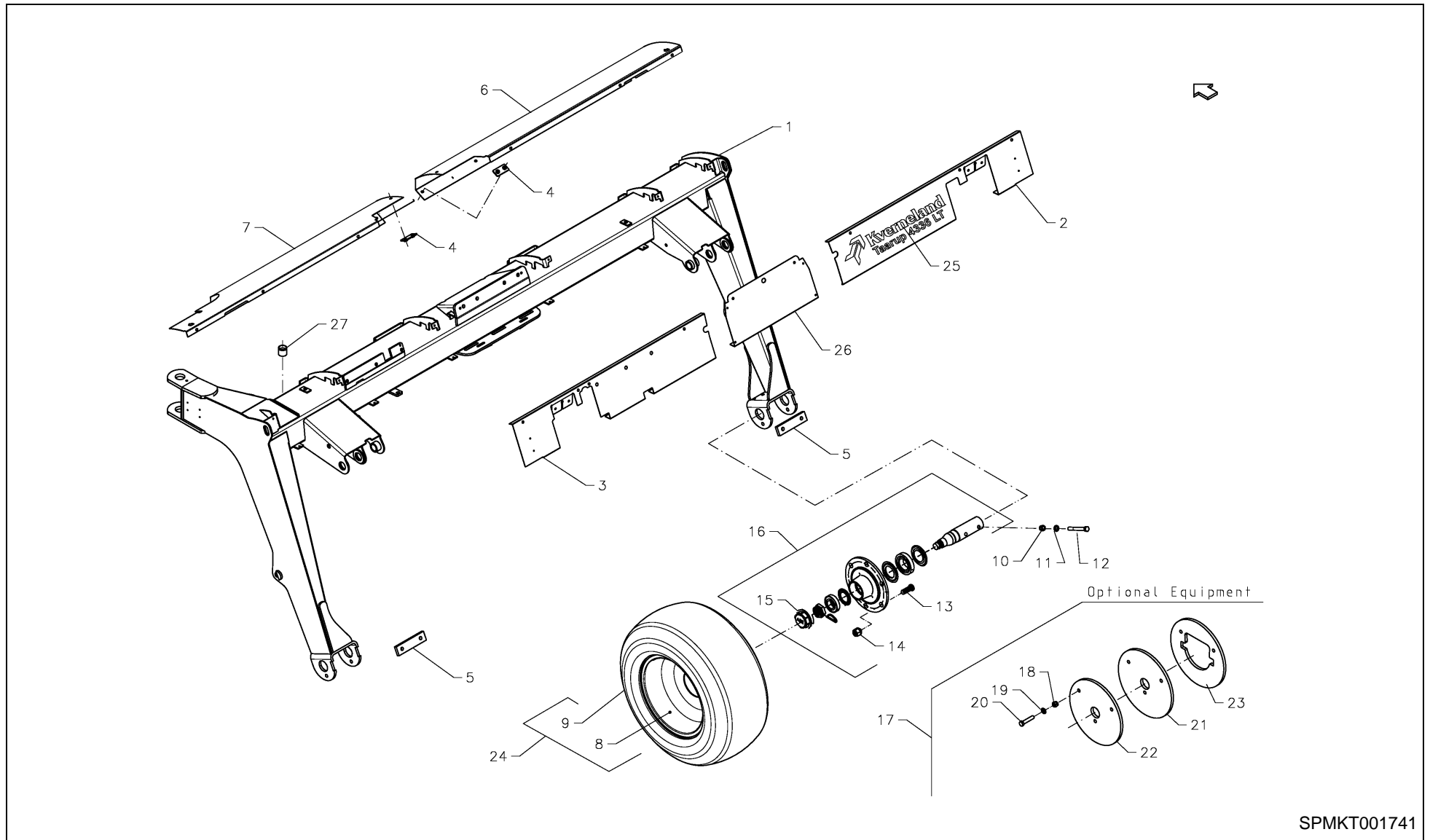
4336LR / Table of Contents



| PosNo. | Assembly group | Page |
|--------|----------------------------------|------|
| 1 | PRIMARY FRAME, WHEEL | 1 |
| 1 | LIGHTING KIT | 25 |
| 2 | CONNECTING ARM | 2 |
| 3 | DRAWBAR | 4 |
| 4 | SWIVEL GEAR | 5 |
| 4 | SWIVEL GEAR, COMPLETE | 6 |
| 5 | HYDRAULIC | 7 |
| 5 | HYDRAULIC, DRAWBAR | 8 |
| 6 | SPRING, HYDRAULIC CYLINDER | 3 |
| 6 | SECONDARY FRAME | 9 |
| 7 | TRANSMISSION | 10 |
| 8 | REAR END & DEFLECTOR PLATE | 21 |
| 9 | TRANSMISSION, ROLLER | 11 |
| 9 | TRANSMISSION, ROLLER | 12 |
| 9 | ROLLER | 13 |
| 10 | MAIN GEAR BOX | 14 |
| 11 | CUTTERBAR, COMPLETE | 15 |
| 11 | CUTTERBAR, SPARE PARTS SET | 16 |
| 11 | TRANSMISSION, CUTTERBAR | 17 |
| 11 | TRANSMISSION, CUTTERBAR + PROFIT | 18 |
| 12 | GUARD | 19 |
| 12 | GUARD | 20 |
| 13 | PTO SHAFT | 22 |
| 14 | PTO SHAFT | 23 |
| 14 | FRICTION CLUTCH | 24 |
| 15 | OPTIONAL EQUIPMENT | 26 |
| 15 | OPTIONAL EQUIPMENT | 27 |
| 15 | OPTIONAL EQUIPMENT | 28 |



4336LR / Primary frame, wheel

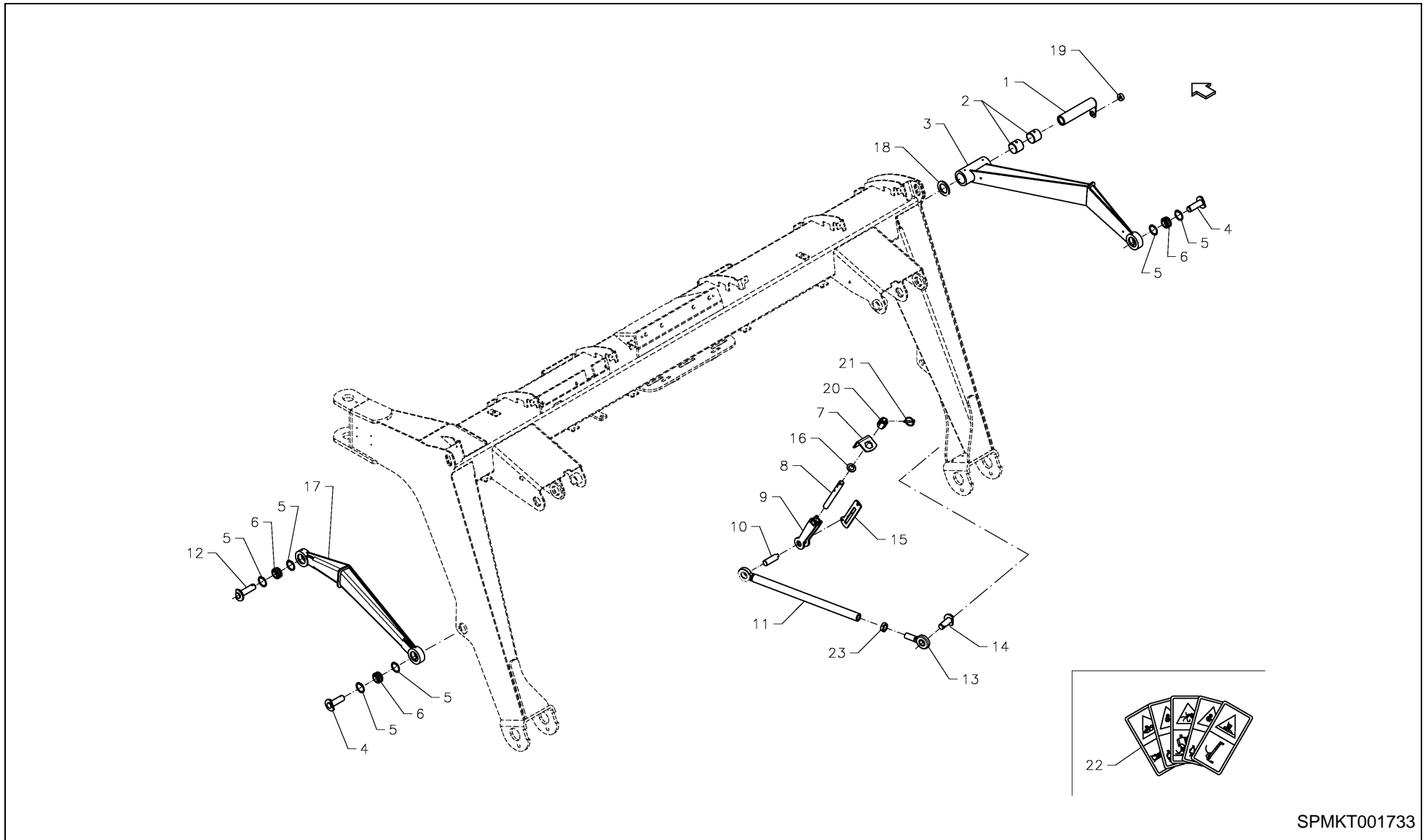


SPMKT001741

4336LR / Primary frame, wheel



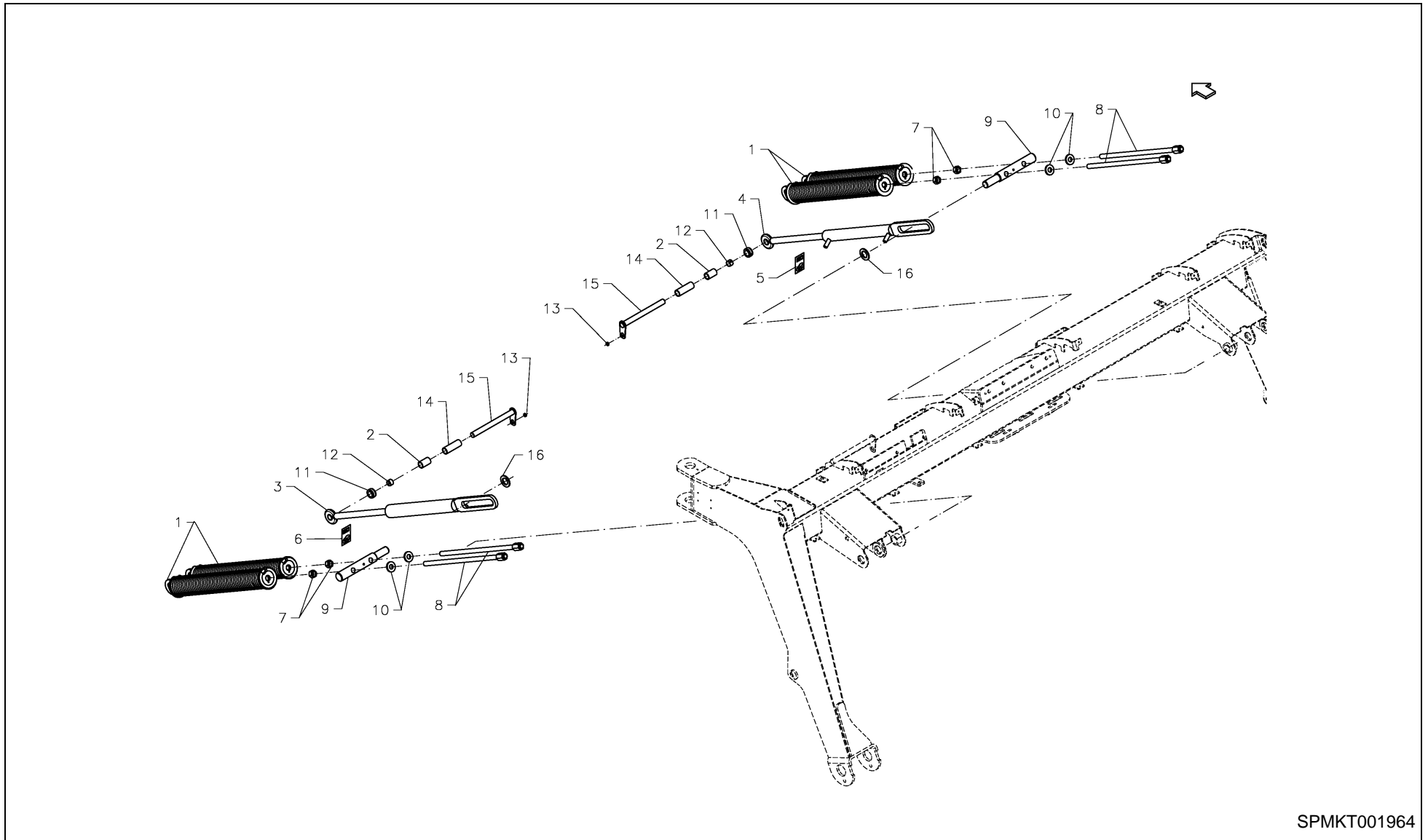
| PosNo. | Part No. | Qty. | Description | Remark |
|--------|--------------|------|----------------------------|--------|
| 1 | KT9231000094 | 1 | PRIMARY FRAME | |
| 2 | KT9184900094 | 1 | REAR GUARD, RH | |
| 3 | KT9185000094 | 1 | REAR GUARD, LH | |
| 4 | KT9182000061 | 2 | BRACKET | |
| 5 | KT9040200061 | 2 | BRACKET | |
| 6 | KT9184800094 | 1 | TOP PLATE, RH | |
| 7 | KT9184700094 | 1 | TOP PLATE, LH | |
| 8 | KT99432066 | 2 | RIM 15.00-17 | |
| 9 | KT99432375 | 2 | TYRE 15.00-17 | |
| 10 | KG01064461 | 4 | LOCK NUT M16 8 | |
| 11 | KG01267761 | 4 | WASHER M16 | |
| 12 | KG00363161 | 4 | HEX. BOLT M16X140 8.8 | |
| 13 | KT99434601 | 1 | STUD KIT (12 PCS.) | |
| 14 | KT99434602 | 12 | NUT | |
| 15 | KT99434603 | 2 | COVER | |
| 16 | KT99434056 | 2 | HUB, COMPLETE | |
| 17 | ACCESSOIRE | 1 | PLEASE CONTACT YOUR DEALER | |
| 18 | KG01064461 | 3 | LOCK NUT M16 8 | |
| 19 | KG01267761 | 3 | WASHER M16 | |
| 20 | KG00362561 | 3 | HEX. BOLT M16X80 8.8 | |
| 21 | KT9093800086 | 1 | COUNTER BALANCE BLOCK | |
| 22 | KT9093900086 | 1 | COUNTER BALANCE BLOCK | |
| 23 | KT9093700086 | 1 | COUNTER BALANCE BLOCK | |
| 24 | KT26422000 | 2 | WHEEL COMPLETE 380/55-17 | |
| 25 | KT91812000 | 1 | DECAL 4336LT | |
| 26 | KT9052900094 | 1 | GUARD, CENTER | |
| 27 | KT9161700001 | 1 | BUSHING | |



4336LR / Connecting arm



| PosNo. | Part No. | Qty. | Description | Remark |
|--------|--------------|------|-------------------------------|--------|
| 1 | KT9046530061 | 1 | COTTER PIN | |
| 2 | KT99158088 | 2 | GLACIER BUSHING PM 4545 DX | |
| 3 | KT9047900094 | 1 | ARM, RH | |
| 4 | KT9036100061 | 2 | PIN BOLT | |
| 5 | KG01128700 | 6 | CIRCLIP-B 47 X 1.75 | |
| 6 | KT99160045 | 3 | BEARING Ø 25 GE25FO 2RS | |
| 7 | KT9087800061 | 1 | BRACKET | |
| 8 | KT9047300061 | 1 | SPINDLE | |
| 9 | KT9048200061 | 1 | BRACKET | |
| 10 | KT9057700061 | 1 | BOLT | |
| 11 | KT9048300094 | 1 | ARM | |
| 12 | KT9047200061 | 1 | PIN BOLT | |
| 13 | KT99160047 | 1 | BEARING Ø 25 GAR25UK | |
| 14 | KT9036200061 | 1 | PIN BOLT | |
| 15 | KT9057800061 | 1 | PLATE | |
| 16 | KT9129700061 | 1 | WASHER | |
| 17 | KT9048000094 | 1 | ARM, LH | |
| 18 | KT9094100061 | 1 | WASHER Ø45,5/Ø75 - 5 | |
| 19 | KT9143600061 | 1 | WASHER | |
| 20 | KT9089700061 | 1 | NUT | |
| 21 | KT99331901 | 1 | LINCH PIN Ø 6 | |
| 22 | KT90792000 | 1 | DECAL SET INCL. SAFETY DECALS | |
| 23 | KT99307773 | 1 | COUNTER NUT M24 2,0 FZB | |

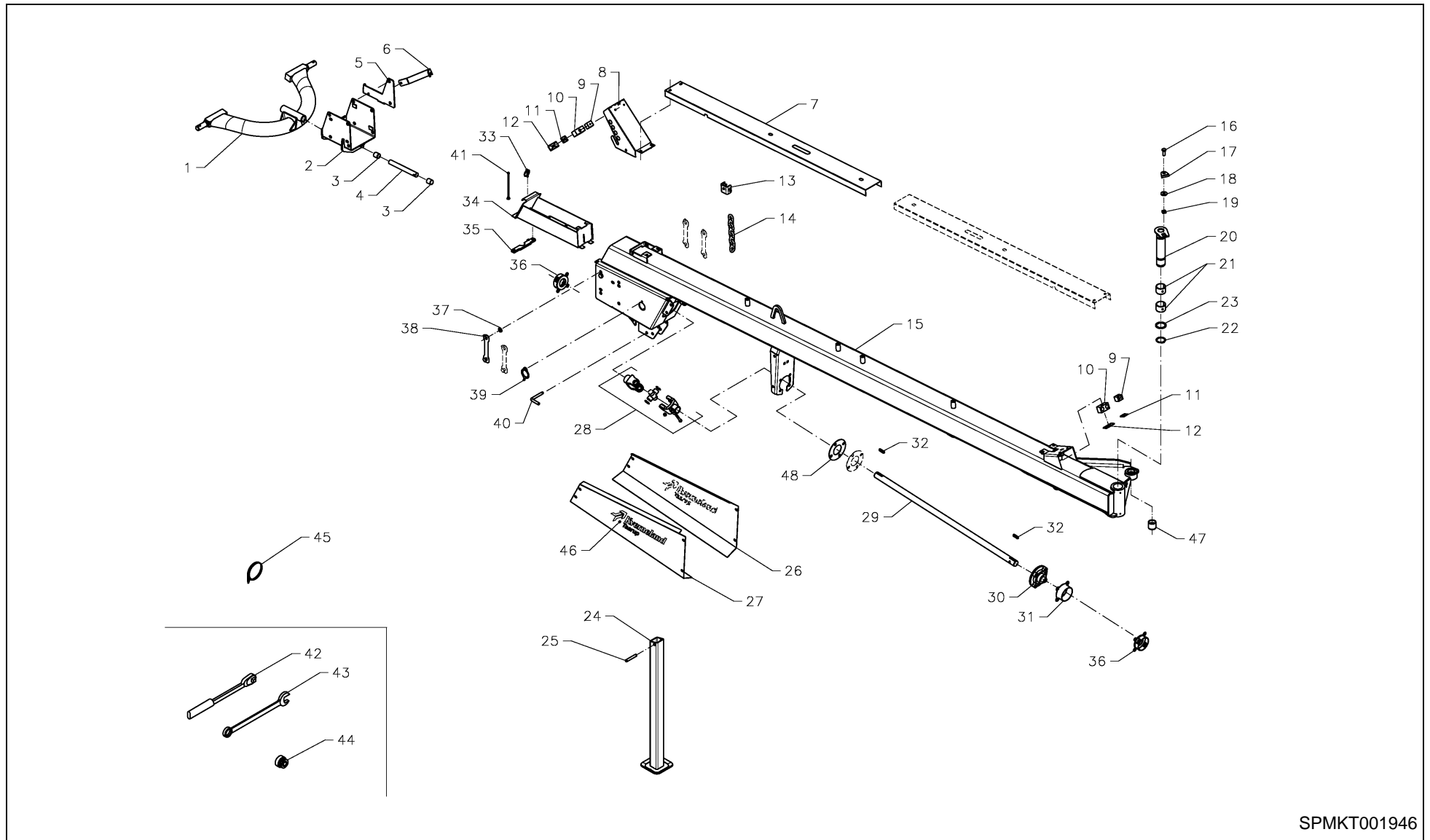


SPMKT001964

4336LR / Spring, hydraulic cylinder



| PosNo. | Part No. | Qty. | Description | Remark |
|--------|--------------|------|-------------------------------|--------|
| 1 | KT9221500063 | 4 | SPRING, COMPLETE N=53 - Ø14MM | |
| 2 | KT9211200061 | 2 | SPACER | |
| 3 | KT9050020097 | 1 | HYDRAULIC CYLINDER | |
| 4 | KT9049920097 | 1 | HYDRAULIC CYLINDER | |
| 5 | KT99413147 | 1 | GASKET KIT | |
| 6 | KT99413148 | 1 | GASKET KIT | |
| 7 | KG01052661 | 4 | HEX. NUT M22 8 | |
| 8 | KT9051410061 | 2 | SPINDLE | |
| 9 | KT9211000061 | 2 | COTTER BOLT | |
| 10 | KT68312000 | 2 | WASHER (DISC) | |
| 11 | KT6244500061 | 2 | BEARING | |
| 12 | KT99158065 | 2 | GLACIER BUSHING PM 2520 DX | |
| 13 | KT3130700061 | 2 | RING | |
| 14 | KT9211100061 | 2 | SPACER | |
| 15 | KT9210800061 | 2 | PIVOT PIN | |
| 16 | KT9220200061 | 2 | WASHER | |

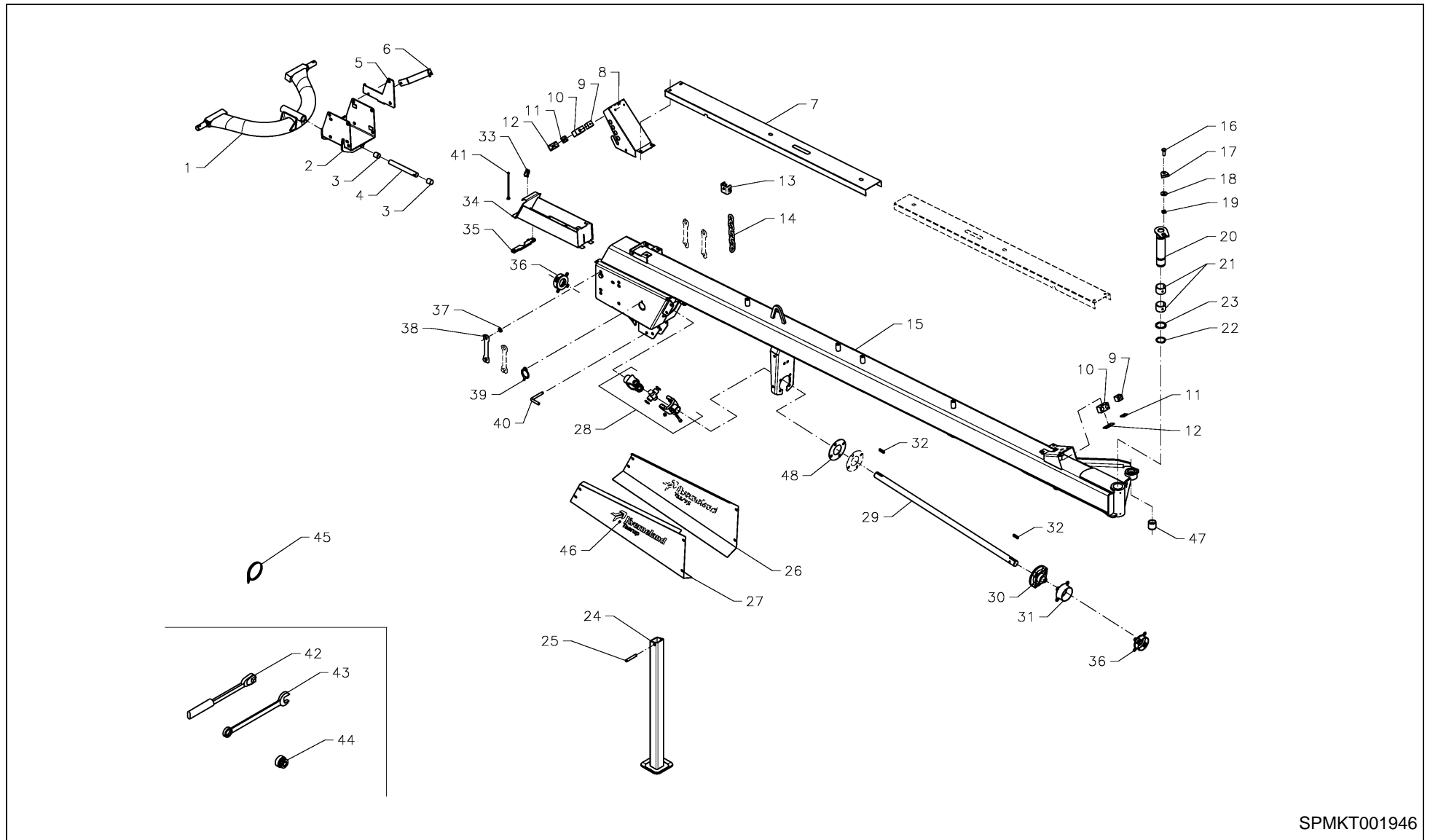


SPMKT001946

4336LR / DRAWBAR



| PosNo. | Part No. | Qty. | Description | Remark |
|--------|--------------|------|--|--------|
| 1 | KT3877520094 | 1 | THREAD ROD | |
| 2 | KT9166700094 | 1 | BRACKET FOR SWIVEL GEAR BOX | |
| 3 | KT99158066 | 2 | GLACIER BUSHING PM 2530 DX | |
| 4 | KT3877610061 | 1 | SHAFT | |
| 5 | KT9165100061 | 1 | BRACKET | |
| 6 | KT9165200061 | 1 | ARM | |
| 7 | KT9164800094 | 2 | COVER | |
| 8 | KT9161800094 | 1 | BRACKET | |
| 9 | KT99408930 | 2 | PIPE CLIP, DOUBLE Ø12-Ø12 | |
| 10 | KT99408939 | 2 | DOUBLE CLAMP 20-20 | |
| 11 | KT99408944 | 2 | TOP PLATE F. DOBB. PIPE CLIP (30 X 66) | |
| 12 | KT99408949 | 2 | TOP PLATE FOR DOUBLE PIPE CLIP | |
| 13 | KT9088100061 | 1 | BRACKET | |
| 14 | KT9089900061 | 1 | CHAIN FOR GUARD (750 MM.) | |
| 15 | KT9033110094 | 1 | DRAWBAR | |
| 16 | KG00476661 | 1 | HEX. SCREW M12X35 8.8 | |
| 17 | KT9150000061 | 1 | LOCK PLATE | |
| 18 | KT59447000 | 1 | WASHER | |
| 19 | KT9150100061 | 1 | CHIP | |
| 20 | KT9150200061 | 1 | SHAFT | |
| 21 | KT99158090 | 2 | GLACIER BUSHING PM 5040 DX | |
| 22 | KG01110400 | 1 | CIRCLIP-A 50 X 2 | |
| 23 | VF01133287 | 1 | WASHER | |
| 24 | KT3877810094 | 1 | SUPPORT LEG | |
| 25 | KT6056800061 | 1 | COTTER BOLT | |
| 26 | KT9033300094 | 1 | GUARD, RH | |
| 27 | KT9033400094 | 1 | GUARD, LH | |
| 28 | KT99244485 | 1 | UNIVERSAL JOINT, COMPLETE | |
| 29 | KT9033210001 | 1 | SHAFT, LH | |
| 30 | KT99125012 | 1 | FLANGE BEARING Ø35 | |
| 31 | KT9057600061 | 1 | BRACKET | |
| 32 | KG01309000 | 2 | KEY 10X8X45 | |
| 33 | KT99331901 | 1 | LINCH PIN Ø 6 | |
| 34 | KT9074720094 | 1 | TOOLBOX | |
| 35 | KT9164700061 | 1 | PLATE | |
| 36 | KT9164900061 | 2 | ADAPTOR | |
| 37 | KT99333835 | 8 | LOCK WASHER 17-30,7 ST NORDLOCK | |
| 38 | KT9162600061 | 4 | LOCK PLATE | |
| 39 | KT2844700061 | 1 | COVER | |
| 40 | KT3626300061 | 1 | PIN BOLT | |

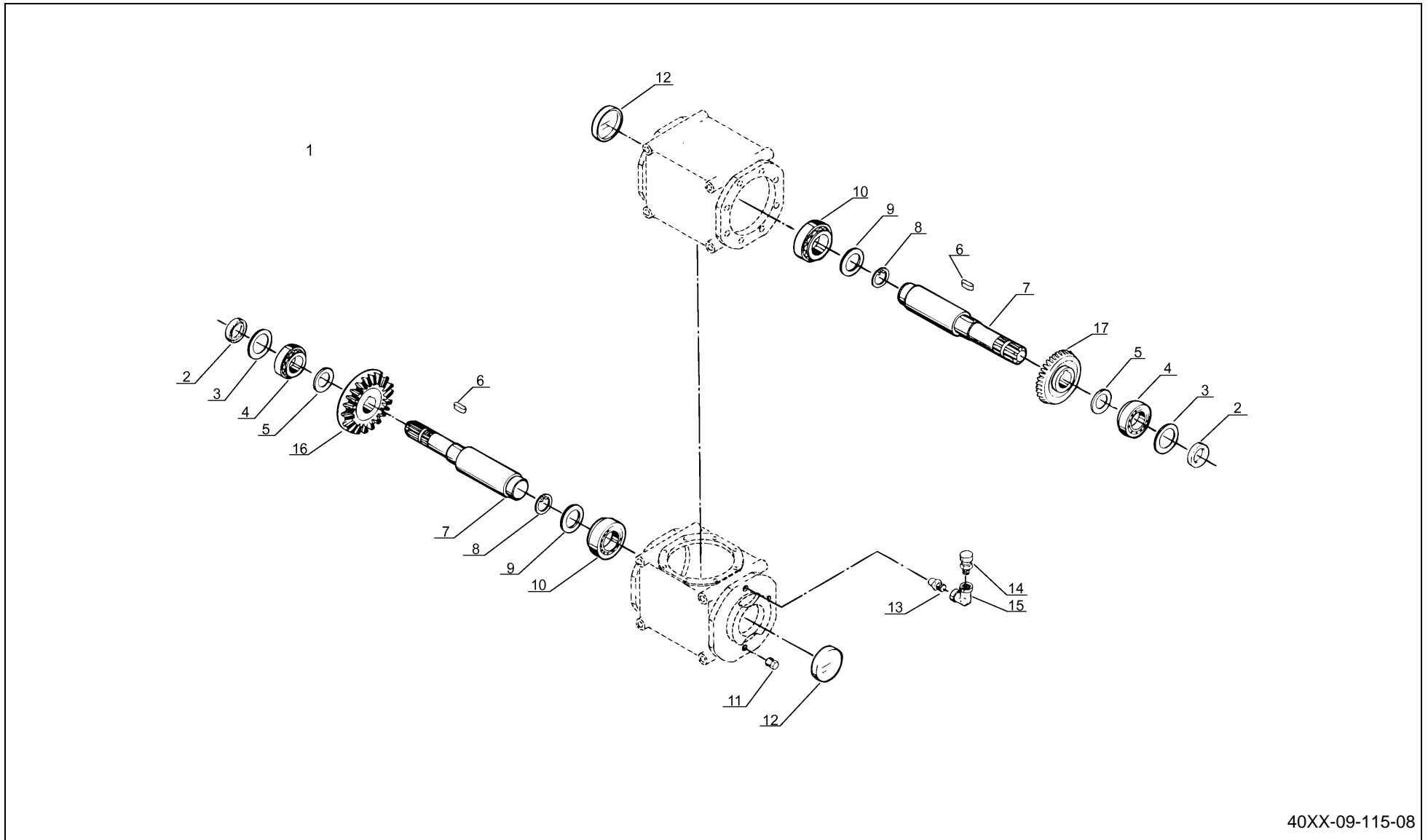


SPMKT001946

4336LR / DRAWBAR



| PosNo. | Part No. | Qty. | Description | Remark |
|--------|--------------|------|---------------------------|--------|
| 41 | VF06564448 | 1 | CORD | |
| 42 | KT99458248 | 1 | COMBINATION WRENCH 32MM | |
| 43 | KT99458246 | 1 | SOCKET WRENCH 1/2" | |
| 44 | KT99458247 | 1 | SOCKET 1/2" 32MM | |
| 45 | VF16604765 | 2 | CABLE CONNECTOR | |
| 46 | KT91385000 | 2 | DECAL "KVERNELAND TAARUP" | |
| 47 | KT9161700001 | 1 | BUSHING | |
| 48 | KT9096700061 | 2 | PLATE | |



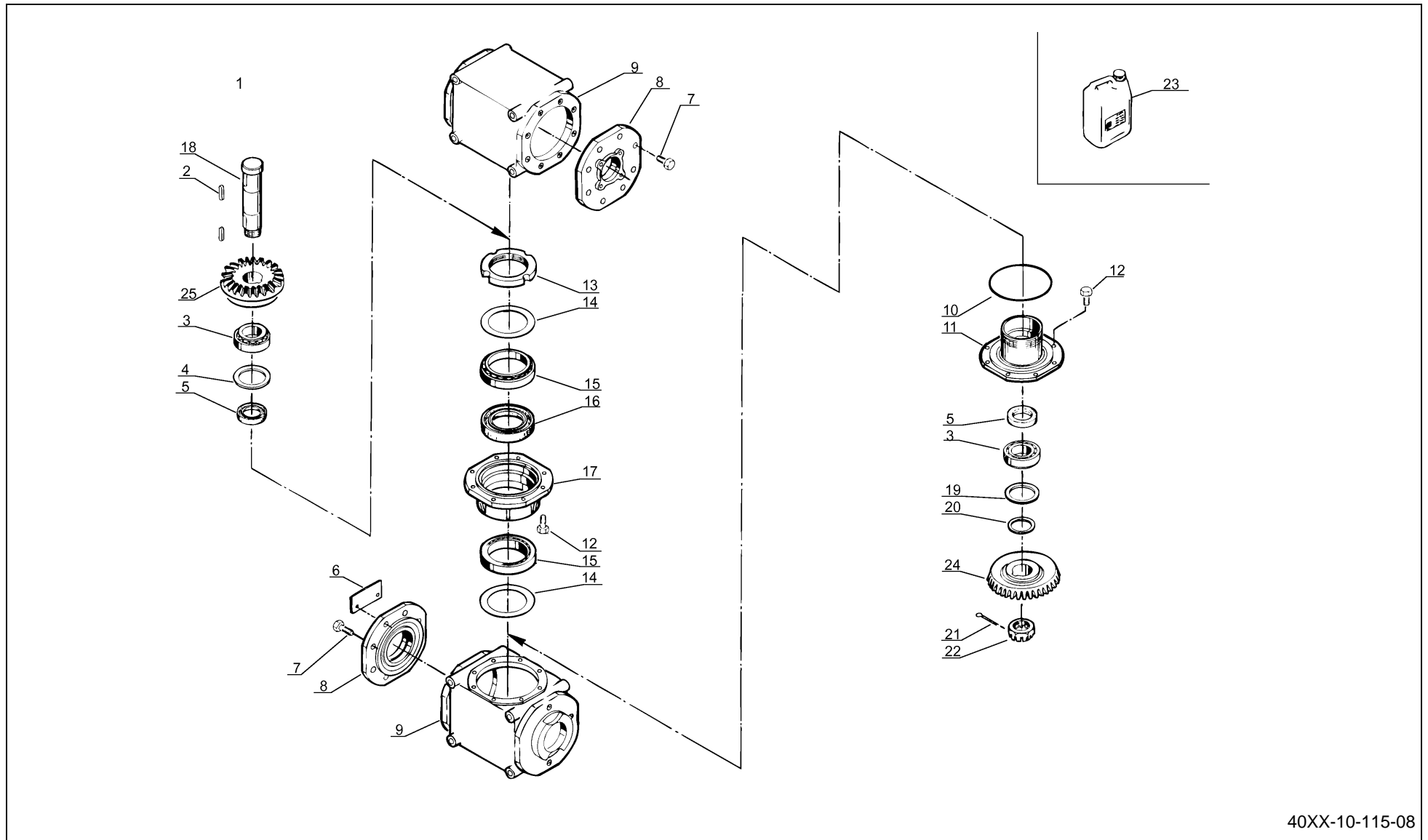
40XX-09-115-08

4336LR / Swivel gear



| PosNo. | Part No. | Qty. | Description | Remark |
|--------|------------|------|----------------------------|--------|
| 1 | KT38798000 | 1 | SWIVEL GEAR, 540/1000 RPM | |
| 2 | KT99250596 | 2 | OIL SEAL 3/8" | |
| 3 | KT99250910 | 2 | WASHER | |
| 4 | KG01799200 | 2 | TAPER ROLLER BEARING 32207 | |
| 5 | KT99250553 | 2 | WASHER Ø35,3-1,3 | |
| 6 | KT99354142 | 2 | KEY B12-8-35 | |
| 7 | KT99250562 | 2 | SHAFT | |
| 8 | KG01110100 | 2 | CIRCLIP-A 45 X 1.75 | |
| 9 | KT99250932 | 2 | SPACER Ø45,3 / Ø65,3 | |
| 10 | KG01800500 | 2 | TAPER ROLLER BEARING 30209 | |
| 11 | KT99458104 | 6 | PIPE PLUG 3/8" | |
| 12 | KT99250592 | 2 | COVER | |
| 13 | KT99250595 | 2 | ADAPTOR 3/8" | |
| 14 | KT99250998 | 2 | PLUG 3/8" | |
| 15 | KT99250582 | 2 | ANGLE NIPPLE 3/8" | |
| 16 | KT38754000 | 1 | GEAR WHEEL SET Z=21/21 | |
| 17 | KT38755000 | 1 | GEAR WHEEL SET Z=20/27 | |

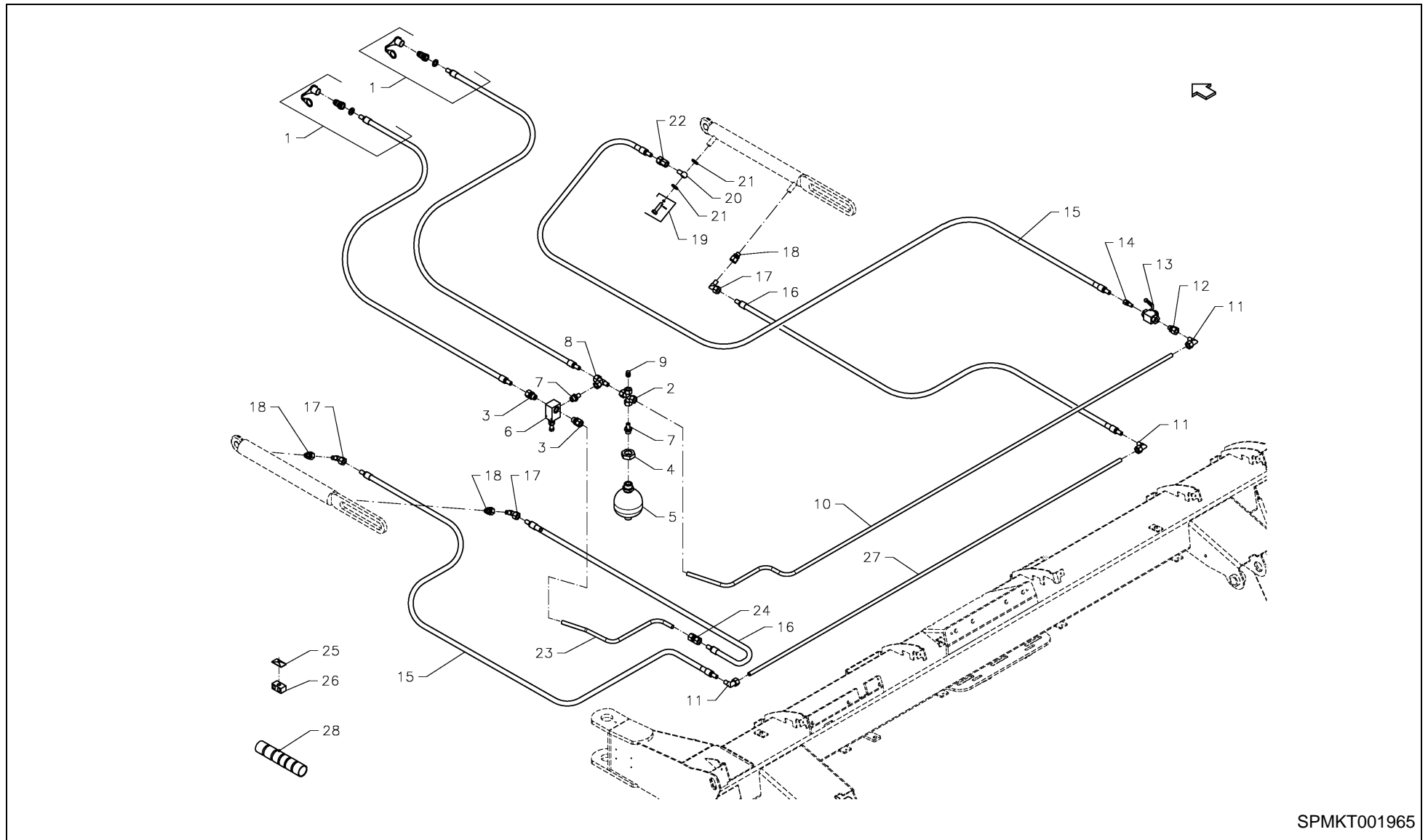
4336LR / Swivel gear, complete



40XX-10-115-08

4336LR / Swivel gear, complete

| PosNo. | Part No. | Qty. | Description | Remark |
|--------|------------|------|---------------------------------|--------|
| 1 | KT38798000 | 1 | SWIVEL GEAR, 540/1000 RPM | |
| 2 | KT99354142 | 2 | KEY B12-8-35 | |
| 3 | KG01799900 | 2 | TAPER ROLLER BEARING 32208 | |
| 4 | KT99250556 | 1 | WASHER (DISC) Ø79,9 | |
| 5 | KG00046200 | 2 | RADIAL SHAFT SEAL - A 40X72X10 | |
| 6 | KT38797000 | 1 | PLATE | |
| 7 | KG00474161 | 16 | HEX. SCREW M10X22 8.8 | |
| 8 | KT99250561 | 2 | BEARING COVER | |
| 9 | KT99250564 | 2 | GEAR BOX CASING | |
| 10 | KT99250597 | 1 | O-RING 3525 | |
| 11 | KT99250558 | 1 | BEARING COLLAR | |
| 12 | KG00595700 | 16 | CHEESE HEAD SCREW M10X22 12.9 | |
| 13 | KT99250598 | 1 | LOCK NUT M95X2 | |
| 14 | KT99250552 | 2 | DISC | |
| 15 | KT99250599 | 2 | ROLLER BEARING L 319349/310 | |
| 16 | KG00029200 | 1 | RADIAL SHAFT SEAL - A 95X120X12 | |
| 17 | KT99250557 | 1 | BEARING COLLAR | |
| 18 | KT99250563 | 1 | SHAFT | |
| 19 | KT99250417 | 1 | SHIM 40,3X1,0 | |
| 20 | KT99250520 | 1 | WASHER Ø40,3 - 1 | |
| 21 | KT99331340 | 1 | SPLIT PIN 4-60 | |
| 22 | KT99307967 | 1 | CASTLE NUT M40X1,5 | |
| 23 | KT10101000 | 1 | OIL CAN 1 LTR. | |
| 24 | KT38754000 | 1 | GEAR WHEEL SET Z=21/21 | |
| 25 | KT38755000 | 1 | GEAR WHEEL SET Z=20/27 | |

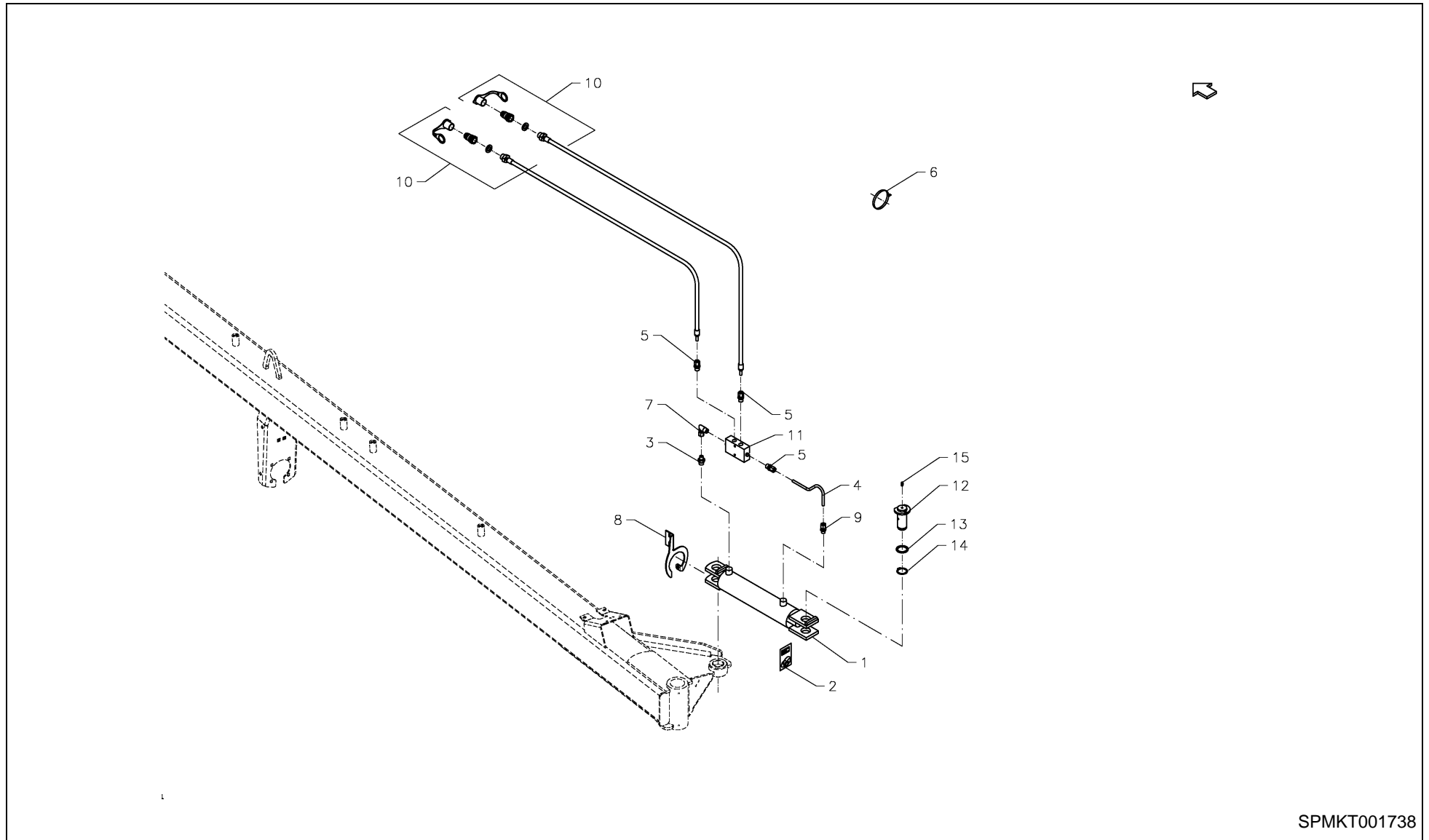


SPMKT001965

4336LR / Hydraulic



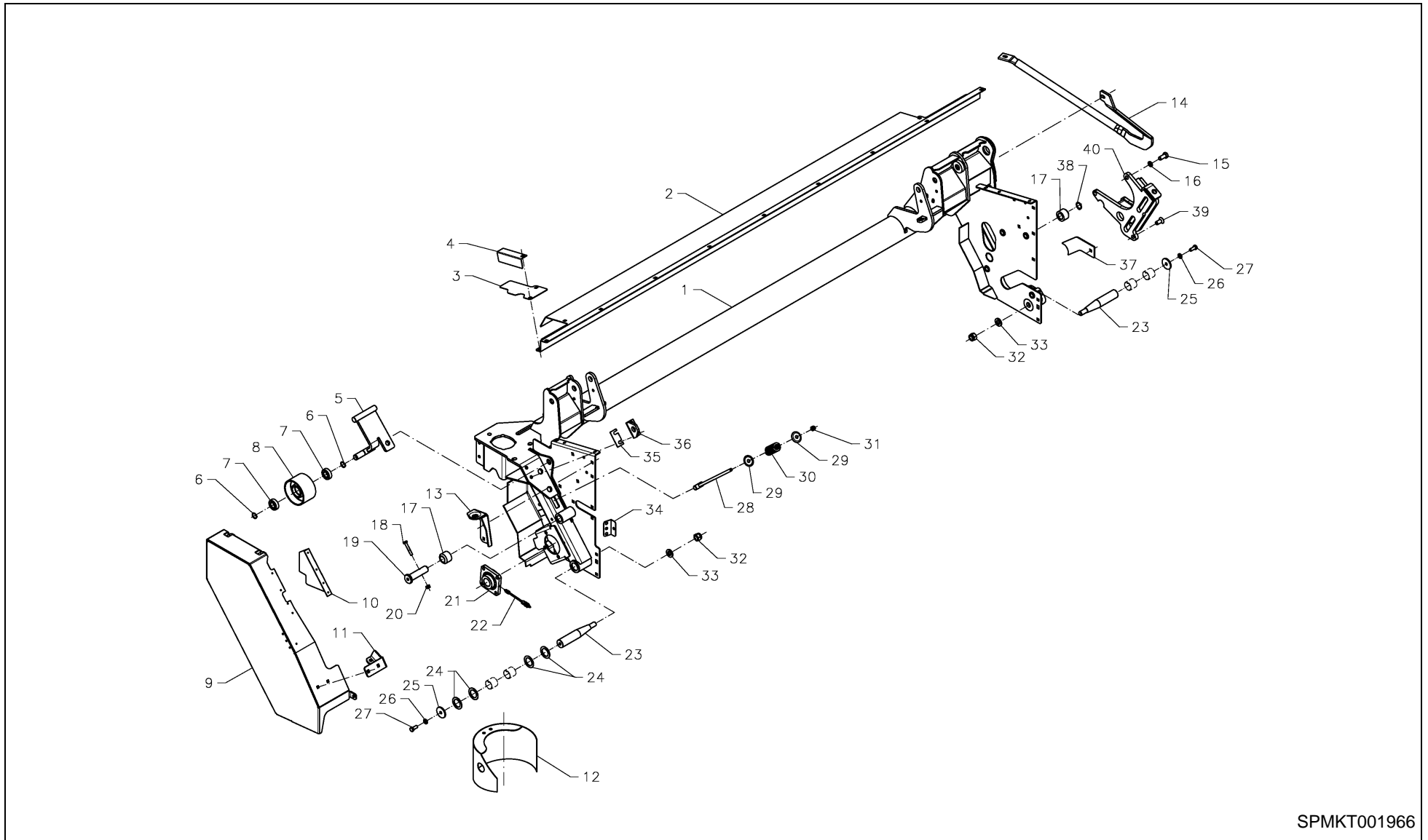
| PosNo. | Part No. | Qty. | Description | Remark |
|--------|------------|------|---|--------|
| 1 | KT90667000 | 2 | HYDRAULIC HOSE L= 6370 MM | |
| 2 | KT99405122 | 1 | CROSS CONNECTION 15MM | |
| 3 | KT99402113 | 2 | SCREWED CONNECTION Ø15-1/2" | |
| 4 | KT99307775 | 1 | COUNTER NUT M33 X 1,5 | |
| 5 | KT99408914 | 1 | ACCUMULATOR 0,75 LTR. | |
| 6 | KT99407540 | 1 | PRESSURE COMPENSATOR VALVE DINOIL VPDB1 | |
| 7 | KT99402914 | 2 | PIPE SOCKET | |
| 8 | KT99404018 | 1 | L-SCREW JOINT Ø 15 | |
| 9 | KT99402952 | 1 | DUMMY PLUG INCL. O-RING 15MM | |
| 10 | KT90687100 | 1 | HYDRAULIC PIPE L=2848MM | |
| 11 | KT99403015 | 3 | ANGLE SCREW CAP Ø 15 | |
| 12 | KT99402114 | 4 | SCREWED CONNECTION Ø15-3/8" | |
| 13 | KT99407410 | 1 | BLOCK BALL VALVE 3/8 | |
| 14 | KT99402922 | 1 | TUBE CONNECTION Ø15-3/8" | |
| 15 | KT92249000 | 2 | HYDRAULIC HOSE L=1370MM | |
| 16 | KT92250000 | 2 | HYDRAULIC HOSE L=890MM | |
| 17 | KT99403211 | 3 | ANGLE SCREW-JOINT Ø15-3/8" | |
| 18 | KT99402114 | 3 | SCREWED CONNECTION Ø15-3/8" | |
| 19 | KT67602000 | 1 | BANJO BOLT, COMPLETE | |
| 20 | KT99402941 | 1 | BANJO CONNECTION | |
| 21 | KT99428522 | 2 | COPPER DISC | |
| 22 | KT99402133 | 1 | STRAIGHT CONNECTION Ø15MM - 3/8" | |
| 23 | KT90688300 | 1 | HYDRAULIC PIPE L=682MM | |
| 24 | KT99402007 | 1 | STRAIGHT SCREW-JOINT | |
| 25 | KT99408943 | 7 | TOP PLATE FOR DOUBLE PIPE CLIP | |
| 26 | KT99408934 | 10 | DOUBLE PIPE HOLDER | |
| 27 | KT90662000 | 1 | HYDRAULIC TUBE L=2218MM | |
| 28 | KT79459000 | 2 | FLEXIBLE COVER L=750 MM. | |



4336LR / Hydraulic, drawbar



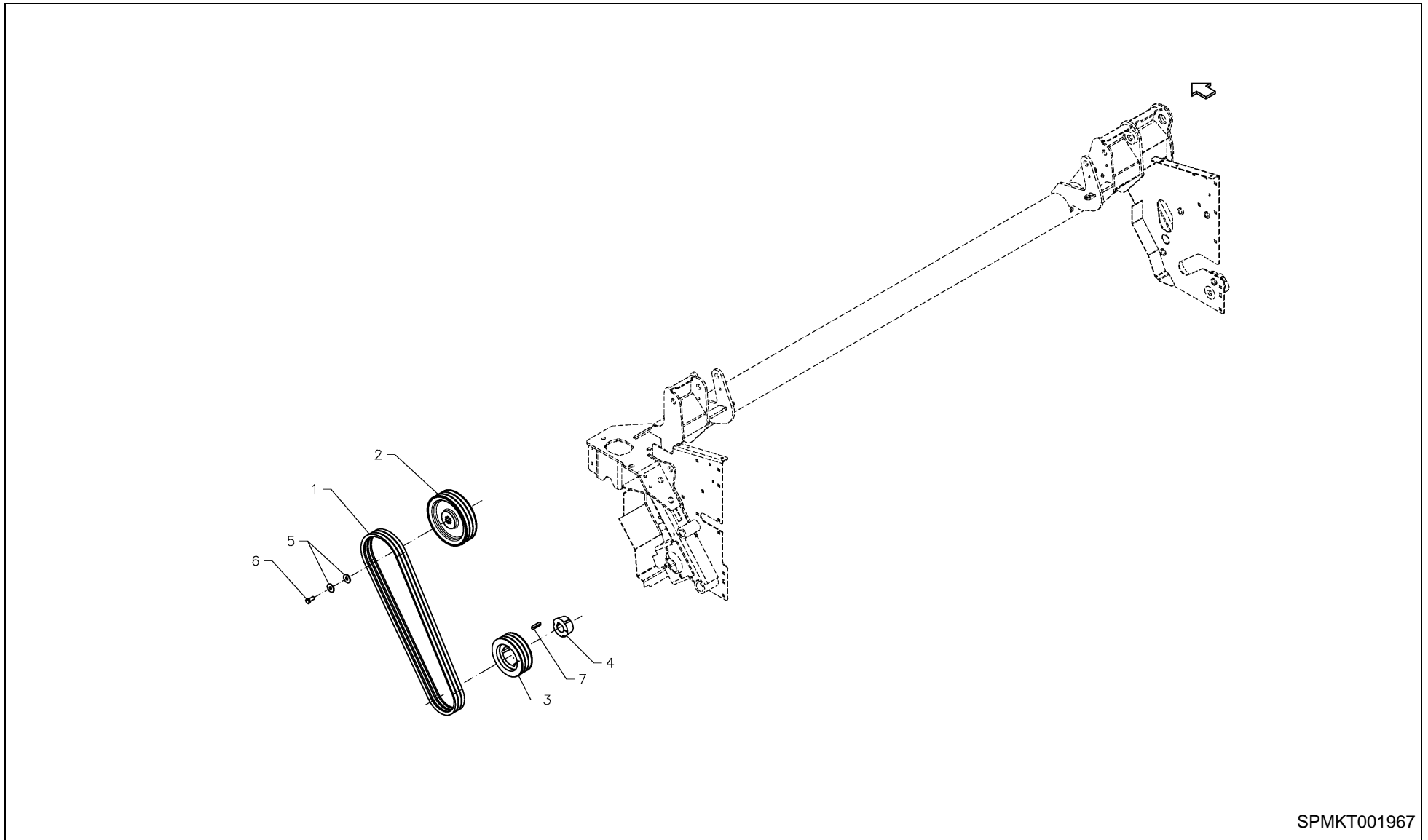
| PosNo. | Part No. | Qty. | Description | Remark |
|--------|--------------|------|--|--------|
| 1 | KT9040300097 | 1 | HYDRAULIC CYLINDER | |
| 2 | KT99413144 | 1 | GASKET KIT | |
| 3 | KT99402915 | 1 | STRAIGHT SCREWED CONNECTION Ø10-1/4 | |
| 4 | KT91503000 | 1 | HYDRAULIC PIPE L=242MM | |
| 5 | KT99402119 | 3 | SCREWED CONNECTION | |
| 6 | VF16604765 | 2 | CABLE CONNECTOR | |
| 7 | KT99403213 | 1 | ELBOW SCREWED CONNECTION BSPT Ø10-3/8" | |
| 8 | KT9149800061 | 1 | BRACKET FOR VALVE | |
| 9 | KT99402112 | 1 | STRAIGHT SCREWED CONNECTOR D8L-T76 | |
| 10 | KT90677000 | 2 | HYDRAULIC HOSE L= 6120 MM | |
| 11 | KT99407008 | 1 | DOUBLE PILOT-OPERATED CHECK VALVE | |
| 12 | KT9051220061 | 2 | PIN | |
| 13 | KT56227000 | 2 | SUPPORTING DISC | |
| 14 | KG01109300 | 2 | CIRCLIP-A 35 X 1.5 | |
| 15 | KT99417025 | 1 | GREASE NIPPLE M6 | |



SPMKT001966

4336LR / Secondary frame

| PosNo. | Part No. | Qty. | Description | Remark |
|--------|--------------|------|-----------------------------------|--------|
| 1 | KT9231210094 | 1 | SECONDARY FRAME | |
| 2 | KT9049000094 | 1 | PLATE 3,6M | |
| 3 | KT9047100094 | 1 | PLATE | |
| 4 | KT9124000061 | 1 | PROTECTING PLATE | |
| 5 | KT9053710086 | 1 | BRACKET | |
| 6 | KG01108300 | 2 | OUTER RETAINING RING-A 25 X 1.2 | |
| 7 | KG01378900 | 2 | BALL BEARING 6205-2RS | |
| 8 | KT6245600001 | 1 | JOCKEY ROLLER | |
| 9 | KT9050720094 | 1 | GUARD | |
| 10 | KT9118500061 | 1 | GUARD | |
| 11 | KT9178800061 | 1 | BRACKET | |
| 12 | KT9081510094 | 1 | GUARD LH | |
| 13 | KT9051600086 | 1 | BRACKET FOR SPRING | |
| 14 | KT9117810086 | 1 | STRAW DIVIDER | |
| 15 | KG00458861 | 2 | HEX. SCREW M16X35 10.9 | |
| 16 | KT99333835 | 2 | LOCK WASHER 17-30,7 ST NORDLOCK | |
| 17 | KT9035300061 | 2 | SPACER | |
| 18 | KG00355761 | 1 | HEX. BOLT M10X65 8.8 | |
| 19 | KT9035200061 | 1 | SHAFT | |
| 20 | KG01064161 | 1 | LOCK NUT M10 8 | |
| 21 | KT9085300097 | 1 | BEARING, COMPLETE | |
| 22 | KT91291000 | 1 | NYLON PIPE 6X3 MM, L=445 MM | |
| 23 | KT9046900061 | 2 | SHAFT | |
| 24 | KT9079000061 | 4 | SPACER | |
| 25 | KT5874000061 | 2 | WASHER | |
| 26 | KG01267561 | 2 | WASHER M12 | |
| 27 | KG00476561 | 2 | HEX. SCREW M12X30 8.8 | |
| 28 | KT9053800061 | 1 | SPINDLE | |
| 29 | KT9063000061 | 2 | WASHER | |
| 30 | KT4837700061 | 1 | SPRING | |
| 31 | KG01064261 | 1 | LOCK NUT M12 8 | |
| 32 | KG01064661 | 2 | LOCK NUT M20 8 | |
| 33 | KT5882400061 | 2 | WASHER | |
| 34 | KT9098610061 | 1 | BRACKET | |
| 35 | KT9078900061 | 4 | SHIM | |
| 36 | KT9053510061 | 1 | BRACKET | |
| 37 | KT9032000086 | 1 | COVER PLATE | |
| 38 | KG01108800 | 1 | CIRCLIP-A 30 X 1.5 | |
| 39 | KG00865161 | 1 | COUNTERSUNK HEAD SCREW M16X35 8.8 | |
| 40 | KT9032110094 | 1 | CONSOLE LOWER RH ARM | |



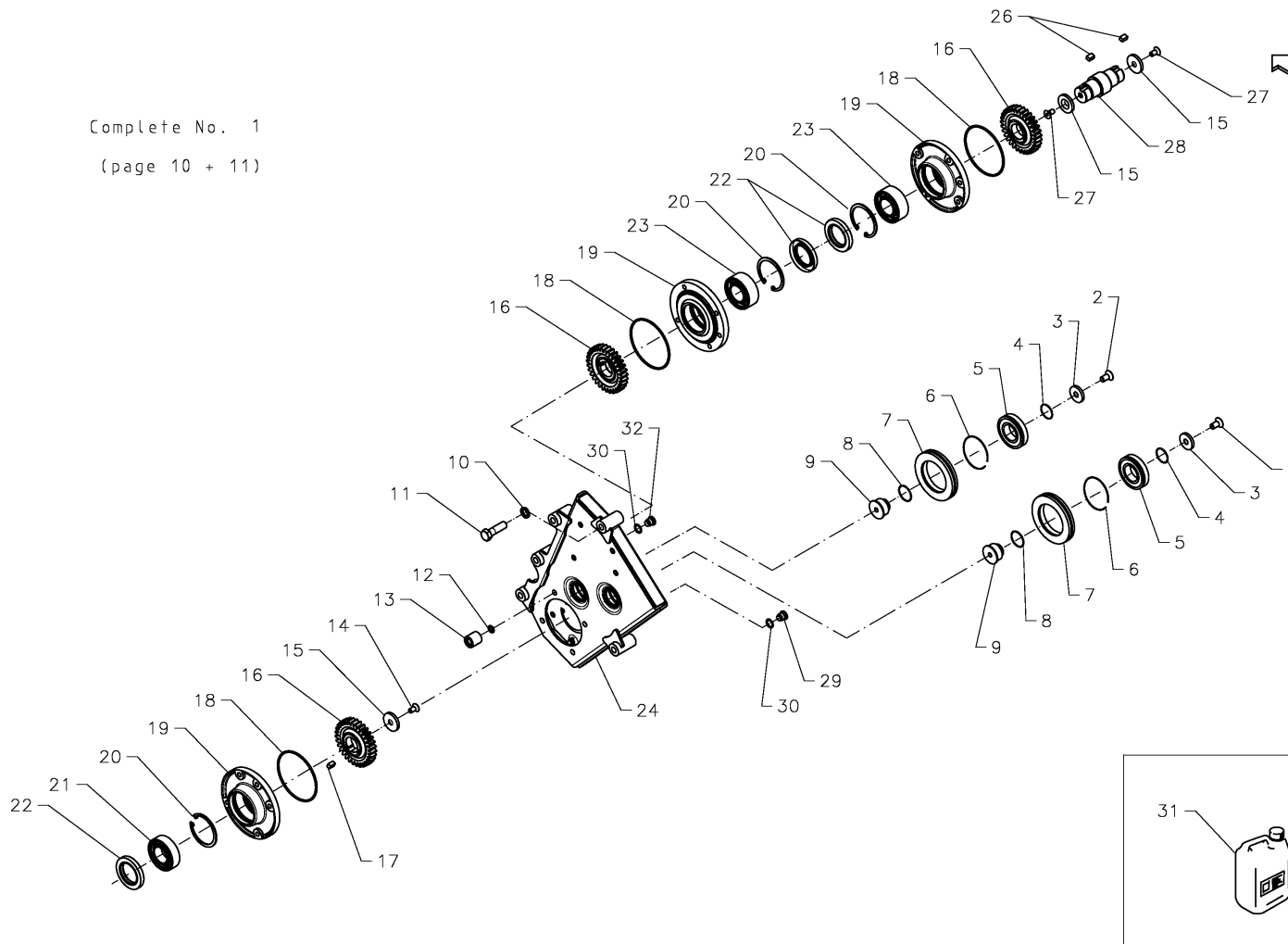
SPMKT001967

4336LR / Transmission



| PosNo. | Part No. | Qty. | Description | Remark |
|--------|--------------|------|-----------------------------|--------|
| 1 | KT99202436 | 1 | SET OF V-BELTS LW 1906 | |
| 2 | KT6828300001 | 1 | V-BELT PULLEY 3 SPB Ø225 MM | |
| 3 | KT99444101 | 1 | PULLEY SPB 170X3X2517 | |
| 4 | KT99444104 | 1 | BUSH | |
| 5 | KT5567000001 | 2 | WASHER | |
| 6 | KG00476561 | 1 | HEX. SCREW M12X30 8.8 | |
| 7 | KG01310700 | 1 | KEY 12X8X50 | |

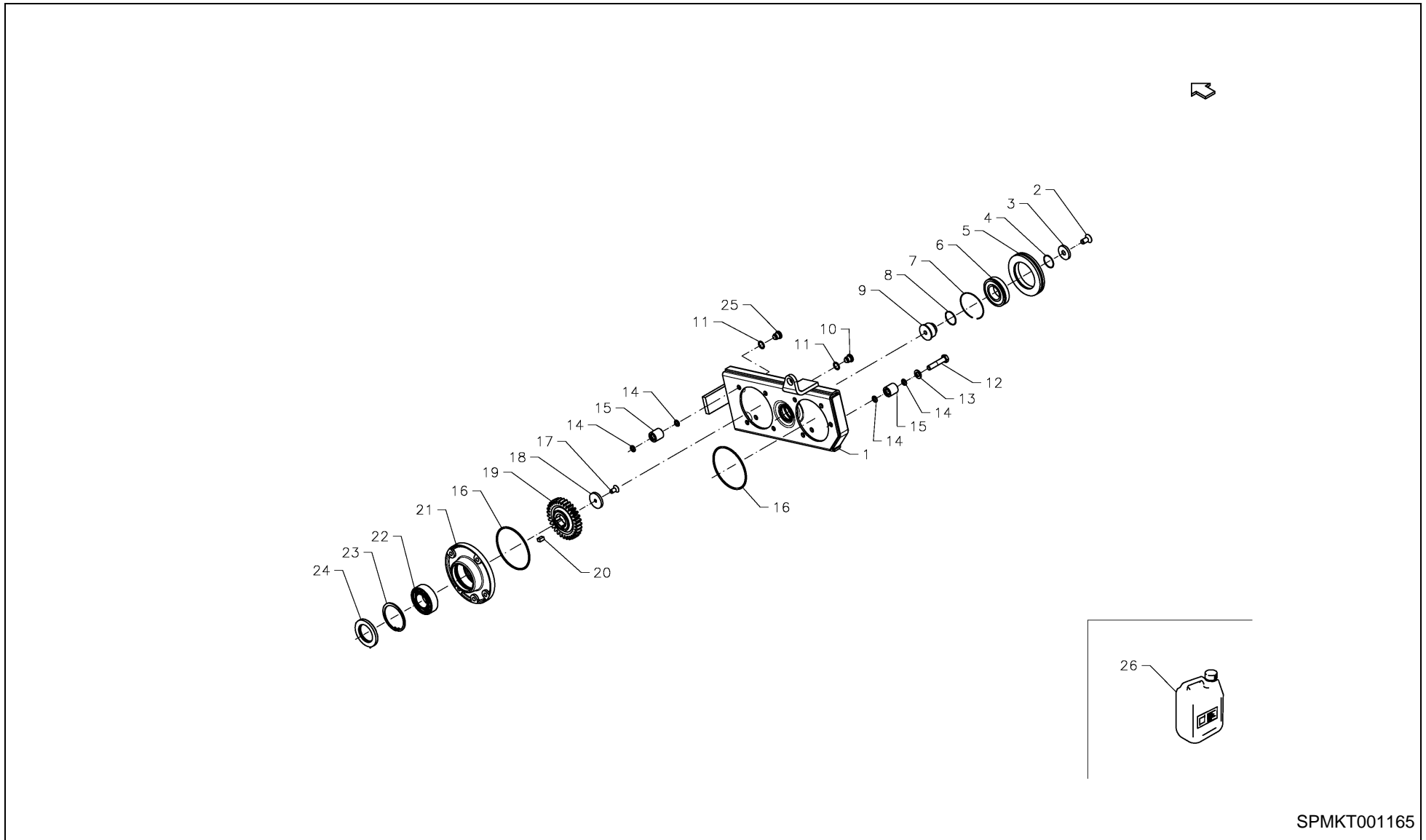
Complete No. 1
(page 10 + 11)



SPMKT001960

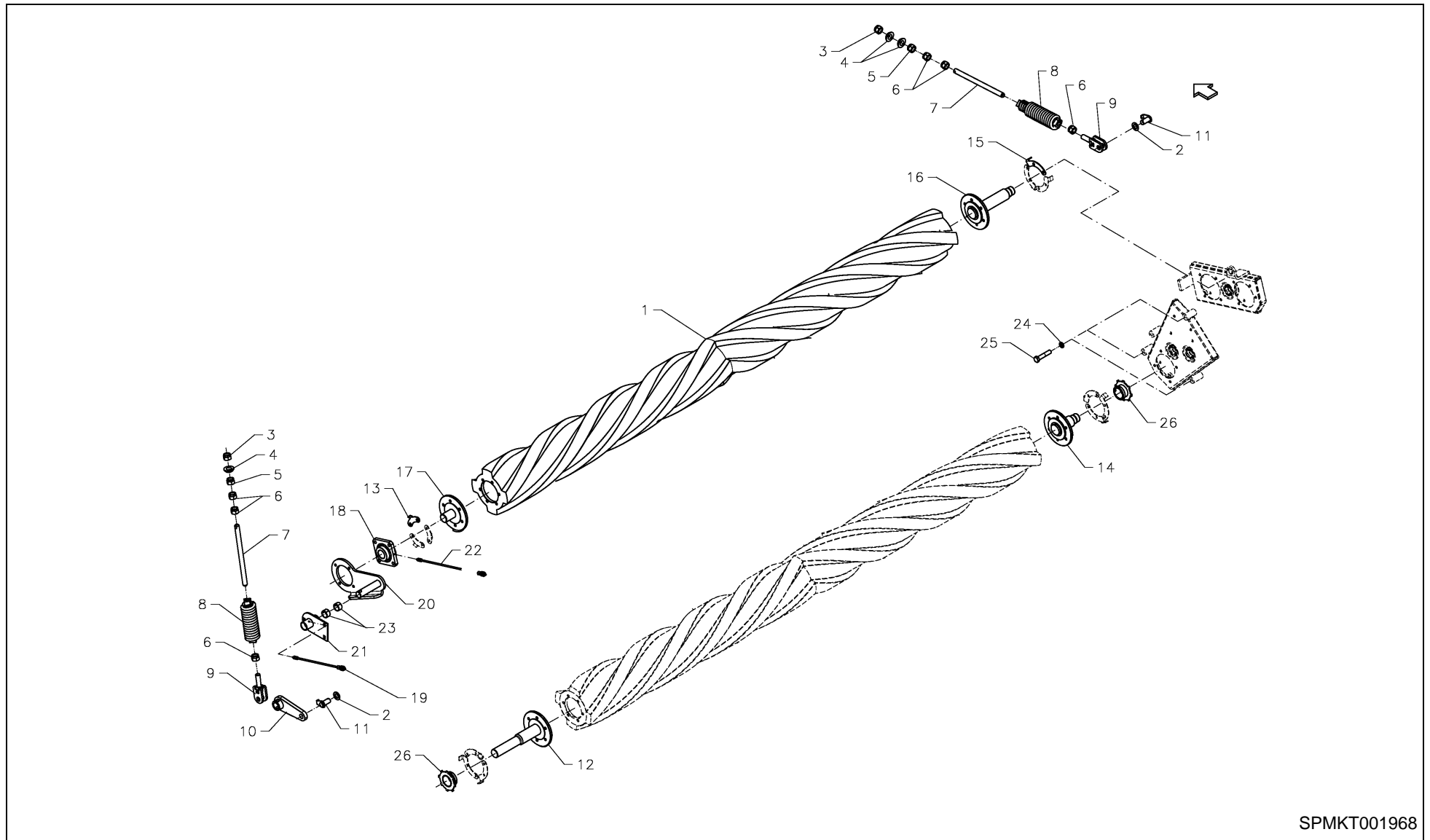
4336LR / Transmission, roller

| PosNo. | Part No. | Qty. | Description | Remark |
|--------|--------------|------|-----------------------------------|--------|
| 1 | KT90226000 | 1 | GEAR, COMPLETE | |
| 2 | KG00864061 | 2 | COUNTERSUNK HEAD SCREW M12X25 8.8 | |
| 3 | KT9054900061 | 2 | WASHER | |
| 4 | KT99420125 | 2 | OIL SEAL Ø34,2X3 | |
| 5 | KT99100380 | 2 | BALL BEARING 6208 | |
| 6 | KT55643000 | 2 | RES.SÆT.TIL ET MELLEMHJUL | |
| 7 | KT5564210001 | 2 | GEAR WHEEL Z=32 | |
| 8 | KT99420238 | 2 | OIL SEAL Ø37,1 X 1,6 | |
| 9 | KT5564400001 | 2 | AXLE JOURNAL | |
| 10 | KT99333835 | 8 | LOCK WASHER 17-30,7 ST NORDLOCK | |
| 11 | KG00362061 | 8 | HEX. BOLT M16X55 8.8 | |
| 12 | KT99420109 | 16 | OIL SEAL Ø10,69X3,53 | |
| 13 | KT5576600001 | 8 | SPACER | |
| 14 | KT99314529 | 1 | COUNTERSUNK SCREW M10X20 | |
| 15 | KT9055000061 | 3 | WASHER | |
| 16 | KT5574900001 | 3 | GEAR WHEEL Z=31 | |
| 17 | KG99354122 | 1 | WASHER 4MM (EXPRESS) | |
| 18 | KT99420286 | 3 | OIL SEAL Ø120,24X3,53 | |
| 19 | KT9054800001 | 3 | CASING | |
| 20 | KG01130900 | 3 | CIRCLIP-B 80 X 2.5 | |
| 21 | KT99103230 | 1 | BEARING 2208 | |
| 22 | KG00089600 | 3 | RADIAL SHAFT SEAL - A 50X80X10 | |
| 23 | KT99102032 | 2 | BALL BEARING 3208 2RS | |
| 24 | KT9054110086 | 1 | GEAR BOX CASING | |
| 26 | KT99354122 | 2 | KEY 10-8-16 | |
| 27 | KG00862861 | 2 | COUNTERSUNK HEAD SCREW M10X20 8.8 | |
| 28 | KT9054700001 | 1 | SHAFT | |
| 29 | KT99458109 | 2 | TUBE PLUG M16X1,5 | |
| 30 | KD0300863 | 5 | SEALING WASHER 3/8" BSP | |
| 31 | KT10105000 | 1 | OIL CAN 5 LTR. | |
| 32 | KT99462633 | 1 | PLUG M16X1,5 | |



4336LR / Transmission, roller

| PosNo. | Part No. | Qty. | Description | Remark |
|--------|--------------|------|---------------------------------------|--------|
| 1 | KT9054000086 | 1 | ARM | |
| 2 | KG00864061 | 1 | COUNTERSUNK HEAD SCREW M12X25 8.8 | |
| 3 | KT9054900061 | 1 | WASHER | |
| 4 | KT99420125 | 1 | OIL SEAL Ø34,2X3 | |
| 5 | KT5564210001 | 1 | GEAR WHEEL Z=32 | |
| 6 | KT99100380 | 1 | BALL BEARING 6208 | |
| 7 | KT5564300001 | 1 | CIRCLIP | |
| 8 | KT99420238 | 1 | OIL SEAL Ø37,1 X 1,6 | |
| 9 | KT5564400001 | 1 | AXLE JOURNAL | |
| 10 | KT99462633 | 1 | PLUG M16X1,5 | |
| 11 | KD0300863 | 2 | SEALING WASHER 3/8" BSP | |
| 12 | KG00357661 | 8 | HEX. BOLT M12X55 8.8 | |
| 13 | KT99333833 | 8 | LOCK WASHER 13,0-19,5 NORDLOCK (NL12) | |
| 14 | KT99420109 | 16 | OIL SEAL Ø10,69X3,53 | |
| 15 | KT5576600001 | 8 | SPACER | |
| 16 | KT99420286 | 2 | OIL SEAL Ø120,24X3,53 | |
| 17 | KG00862861 | 1 | COUNTERSUNK HEAD SCREW M10X20 8.8 | |
| 18 | KT9055000061 | 1 | WASHER | |
| 19 | KT5574920001 | 1 | GEAR WHEEL Z=31 | |
| 20 | KT99354122 | 1 | KEY 10-8-16 | |
| 21 | KT9054800001 | 1 | CASING | |
| 22 | KT99103230 | 1 | BEARING 2208 | |
| 23 | KG01130900 | 1 | CIRCLIP-B 80 X 2.5 | |
| 24 | KG00089600 | 1 | RADIAL SHAFT SEAL - A 50X80X10 | |
| 25 | KT99458109 | 1 | TUBE PLUG M16X1,5 | |
| 26 | KT10105000 | 1 | OIL CAN 5 LTR. | |



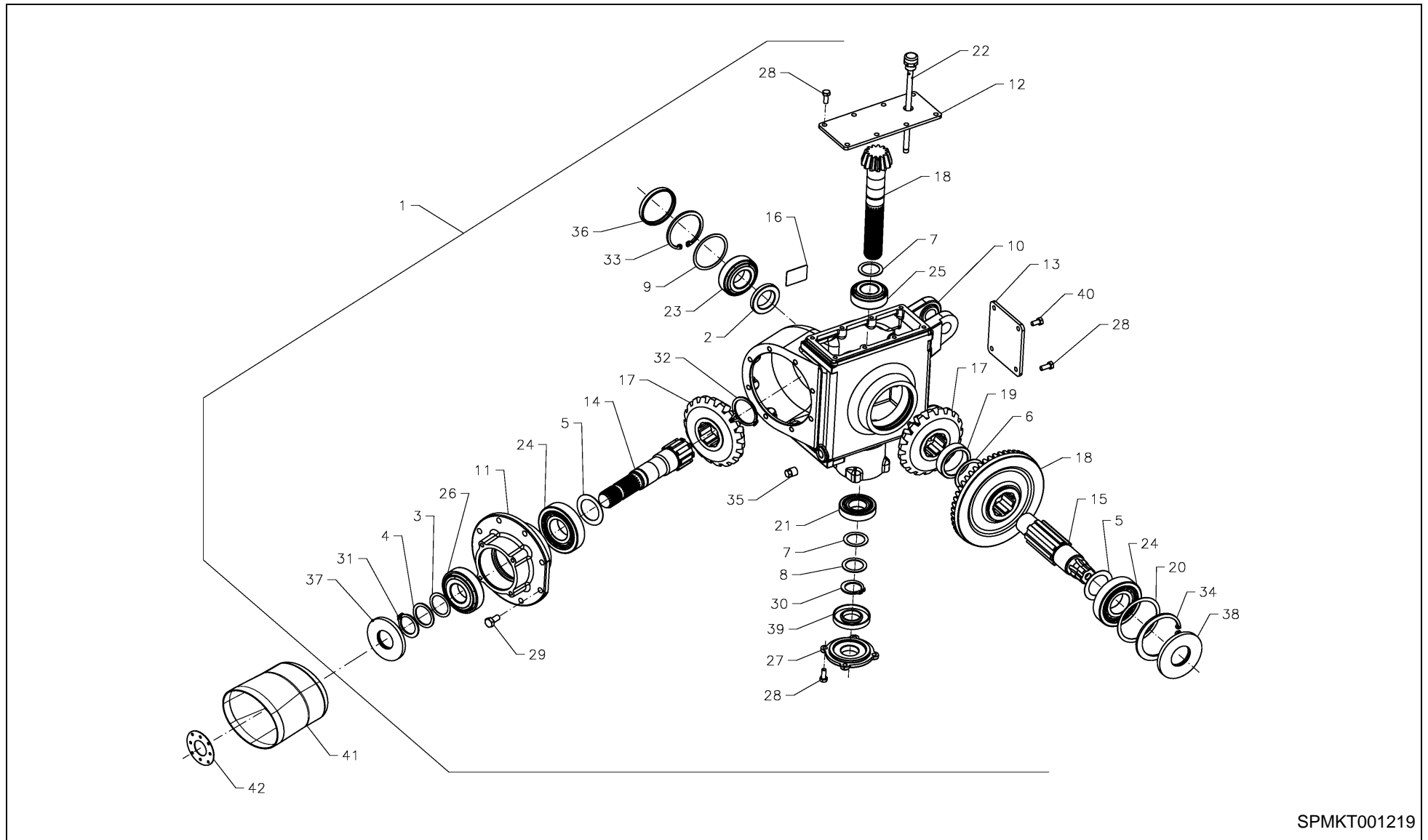
SPMKT001968

4336LR / Roller



| PosNo. | Part No. | Qty. | Description | Remark |
|--------|--------------|------|---------------------------------|--------|
| 1 | KT90435000 | 2 | ROLLER CHEVRON 3,5M / 3,6M | |
| 2 | KG01267961 | 2 | WASHER M20 | |
| 3 | KG01064661 | 2 | LOCK NUT M20 8 | |
| 4 | KT6936100061 | 3 | WASHER | |
| 5 | KG01052562 | 2 | HEX. NUT M20 8 | |
| 6 | KG01043761 | 6 | HEX. NUT THIN M20 8 | |
| 7 | KT9037700061 | 2 | BOLT | |
| 8 | VNB0722486 | 2 | SPRING, EXTENSION | |
| 9 | KT9037810061 | 2 | TIGHTENING BOLT M20 | |
| 10 | KT9038110086 | 1 | ARM | |
| 11 | KT9039810061 | 2 | COTTERBOLT | |
| 12 | KT9041320001 | 1 | SHAFT | |
| 13 | KT9124100061 | 3 | WING | |
| 14 | KT9041510001 | 1 | SHAFT | |
| 15 | KT9050100061 | 9 | SCRAPER | |
| 16 | KT9041410001 | 1 | SHAFT | |
| 17 | KT9041610001 | 1 | SHAFT | |
| 18 | KT9085300097 | 1 | BEARING, COMPLETE | |
| 19 | KT69540000 | 1 | NYLON PIPE 6X3 MM, L = 365 MM | |
| 20 | KT9037910086 | 1 | ARM FOR ROLLER | |
| 21 | KT9038010086 | 1 | BRACKET | |
| 22 | KT91291000 | 1 | NYLON PIPE 6X3 MM, L=445 MM | |
| 23 | KT99158062 | 2 | BUSHING | |
| 24 | KT99333835 | 4 | LOCK WASHER 17-30,7 ST NORDLOCK | |
| 25 | KG00339161 | 4 | HEX. BOLT M16X80 10.9 | |
| 26 | KT9187600061 | 2 | CLEANING WHEEL FOR SHAFT | |

4336LR / Main gear box



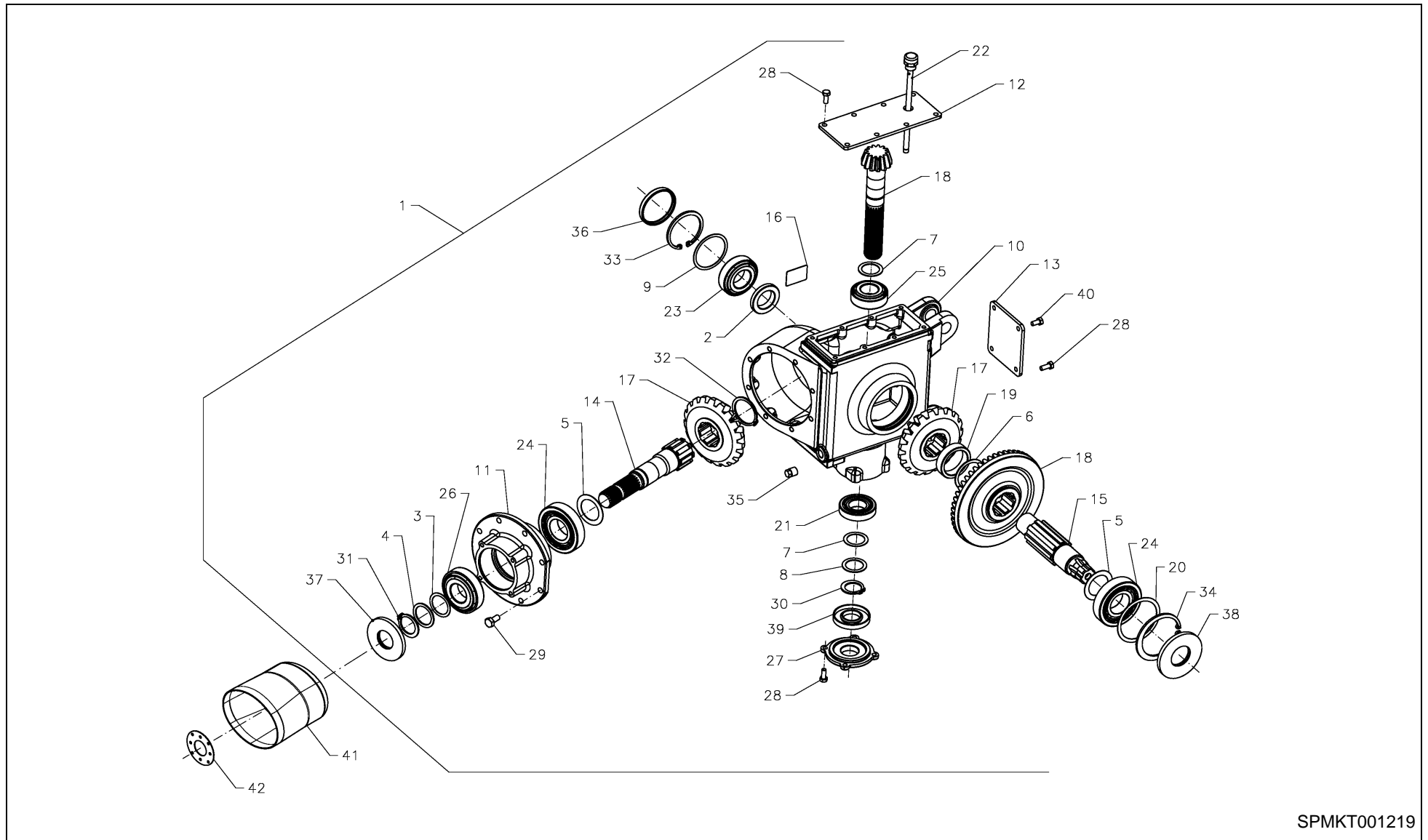
SPMKT001219

4336LR / Main gear box



| PosNo. | Part No. | Qty. | Description | Remark |
|--------|------------|------|--------------------------------|--------|
| 1 | KT99250803 | 1 | MAIN GEAR BOX, COMPLETE | |
| 2 | KT99251320 | 1 | SPACER | |
| 3 | KT99250906 | 1 | WASHER | |
| 4 | KT99250470 | 1 | SHIM 40,3 X 2,0 | |
| 5 | KT99250932 | 2 | SPACER Ø45,3 / Ø65,3 | |
| 6 | KT99250945 | 1 | WASHER | |
| 7 | KT99250946 | 2 | WASHER Ø35,3-Ø48 | |
| 8 | KT99250553 | 1 | WASHER Ø35,3-1,3 | |
| 9 | KT99250556 | 1 | WASHER (DISC) Ø79,9 | |
| 10 | KT99251306 | 1 | GEAR BOX CASING | |
| 11 | KT99251307 | 1 | FLANGE COLLAR | |
| 12 | KT99251308 | 1 | COVER | |
| 13 | KT99251309 | 1 | COVER | |
| 14 | KT99251310 | 1 | SHAFT | |
| 15 | KT99251311 | 1 | SHAFT | |
| 16 | KT99250404 | 1 | COVER | |
| 17 | KT91911000 | 2 | GEAR WHEEL SET Z=19/19 | |
| 18 | KT91910000 | 2 | GEAR WHEEL SET Z=13/53 | |
| 19 | KT99251315 | 1 | SPACER | |
| 20 | KT99250433 | 1 | SHIM X99,7 | |
| 21 | KG01799100 | 1 | TAPER ROLLER BEARING 30207 | |
| 22 | KT99251316 | 1 | DIPSTICK | |
| 23 | KG01799900 | 1 | TAPER ROLLER BEARING 32208 | |
| 24 | KT99106235 | 2 | ROLLER BEARING 30309 | |
| 25 | KG01799200 | 1 | TAPER ROLLER BEARING 32207 | |
| 26 | KG01800100 | 1 | TAPER ROLLER BEARING 30308 | |
| 27 | KT99251317 | 1 | COVER | |
| 28 | KG00471961 | 15 | HEX. SCREW M8X20 8.8 | |
| 29 | KG00474161 | 8 | HEX. SCREW M10X22 8.8 | |
| 30 | KG01099300 | 1 | CIRCLIP-A 35 X 2.5 | |
| 31 | KG01109800 | 1 | CIRCLIP-A 40 X 1.75 | |
| 32 | KG01129300 | 1 | CIRCLIP-B 55 X 2 | |
| 33 | KG01130900 | 1 | CIRCLIP-B 80 X 2.5 | |
| 34 | KG01131900 | 1 | CIRCLIP-B 100 X 3 | |
| 35 | KT99250982 | 1 | OIL PLUG 3/8" | |
| 36 | KT99251142 | 1 | COVER 80X10 | |
| 37 | KG00122900 | 1 | RADIAL SHAFT SEAL - AS 40X90X8 | |
| 38 | KT99251318 | 1 | DOUBLE LIP SEAL DSL45X100X8 | |
| 39 | KT99251319 | 1 | DOUBLE LIP SEAL VITON35X72X10 | |
| 40 | KG00471761 | 1 | HEX. SCREW M8X16 8.8 | |

4336LR / Main gear box



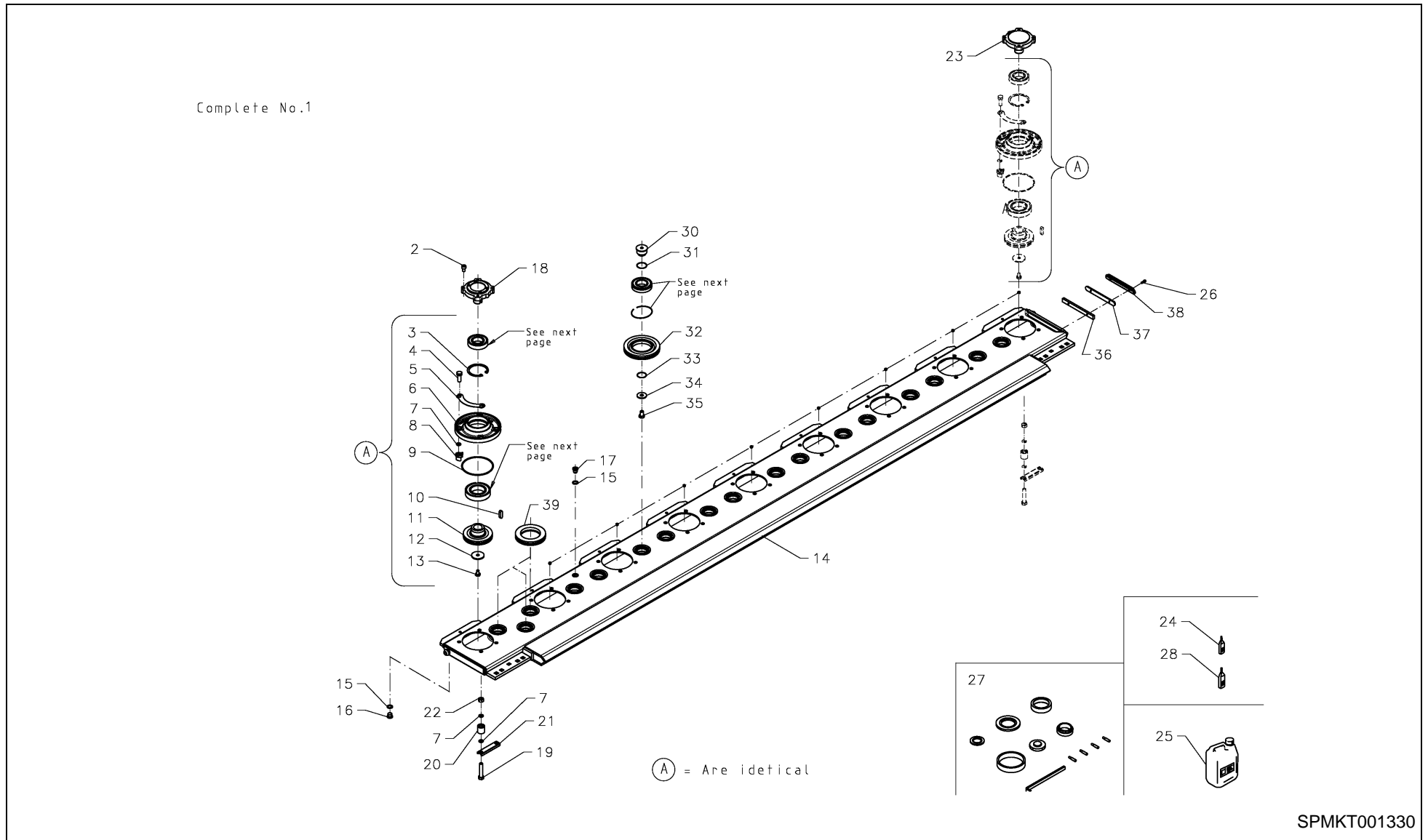
SPMKT001219

4336LR / Main gear box



| PosNo. | Part No. | Qty. | Description | Remark |
|--------|--------------|------|---------------------|--------|
| 41 | KT99244506 | 1 | GUARD | |
| 42 | KT9062910061 | 1 | PLATE FOR PTO GUARD | |

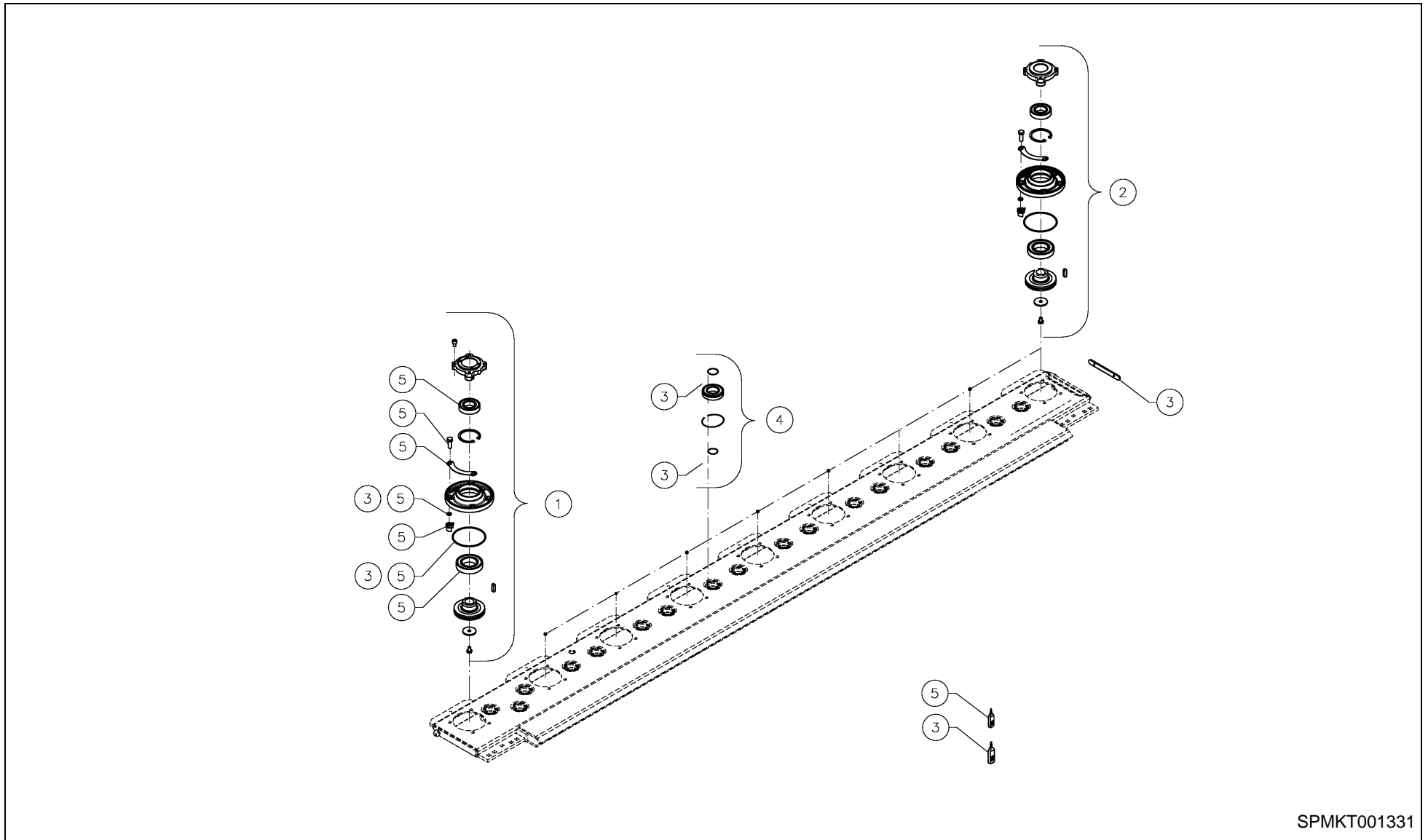
4336LR / Cutterbar, complete



SPMKT001330

4336LR / Cutterbar, complete

| PosNo. | Part No. | Qty. | Description | Remark |
|--------|--------------|------|-------------------------------|--------|
| 1 | KT5520920086 | 1 | 9-DISC CUTTERBAR, COMPLETE | |
| 2 | KG00595400 | 4 | CHEESE HEAD SCREW M10X16 12.9 | |
| 3 | KG01130900 | 9 | CIRCLIP-B 80 X 2.5 | |
| 4 | KG01840800 | 32 | HEX. SCREW M12X35 10.9 4017 | |
| 5 | KT5572910061 | 18 | LOCK PLATE | |
| 6 | KT5539900001 | 9 | CASING FOR 2 BEARINGS | |
| 7 | KT99420109 | 40 | OIL SEAL Ø10,69X3,53 | |
| 8 | KT5564610001 | 32 | NUT | |
| 9 | KT99420286 | 9 | OIL SEAL Ø120,24X3,53 | |
| 10 | KT99354026 | 9 | PARALLEL KEY | |
| 11 | KT5564010001 | 9 | GEAR WHEEL Z=31 | |
| 12 | KT5515400001 | 9 | WASHER 11/50-4 | |
| 13 | KG00473961 | 9 | HEX. SCREW M10X16 8.8 | |
| 14 | KT5513210086 | 1 | 9-DISC CUTTERBAR, REINFORCED | |
| 15 | KT99462718 | 2 | DISC Ø16-Ø22X1 | |
| 16 | KT99458109 | 1 | TUBE PLUG M16X1,5 | |
| 17 | KT99462633 | 1 | PLUG M16X1,5 | |
| 18 | KT5540200001 | 1 | HUB FOR CONE AND PTO | |
| 19 | KT99302819 | 4 | STEEL BOLT M12X65 | |
| 20 | KT5576600001 | 4 | SPACER | |
| 21 | KT5576700001 | 2 | LOCK PLATE | |
| 22 | KG01840900 | 4 | HEX. NUT M12 10 4032 | |
| 23 | KT5540300001 | 8 | HUB FOR CONE AND PTO | |
| 24 | KT99457134 | 1 | LOCTITE TUBE 3 G | |
| 25 | KT10105000 | 1 | OIL CAN 5 LTR. | |
| 26 | KG00542161 | 2 | CHEESE HEAD SCREW M5X16 8.8 | |
| 27 | KT55695100 | 1 | TOOL KIT FOR CUTTERBAR | |
| 28 | KT99457135 | 1 | LOCTITE TUBE 10 G | |
| 30 | KT5564400001 | 17 | AXLE JOURNAL | |
| 31 | KT99420238 | 17 | OIL SEAL Ø37,1 X 1,6 | |
| 32 | KT5564110001 | 17 | GEAR WHEEL Z=39 | |
| 33 | KT99420125 | 17 | OIL SEAL Ø34,2X3 | |
| 34 | KT5567000001 | 17 | WASHER | |
| 35 | KG00476261 | 17 | HEX. SCREW M12X20 8.8 | |
| 36 | KT55650000 | 1 | LUG | |
| 37 | KT55651000 | 1 | GASKET | |
| 38 | KT5564900061 | 1 | COVER | |
| 39 | KT5564210001 | 3 | GEAR WHEEL Z=32 | |

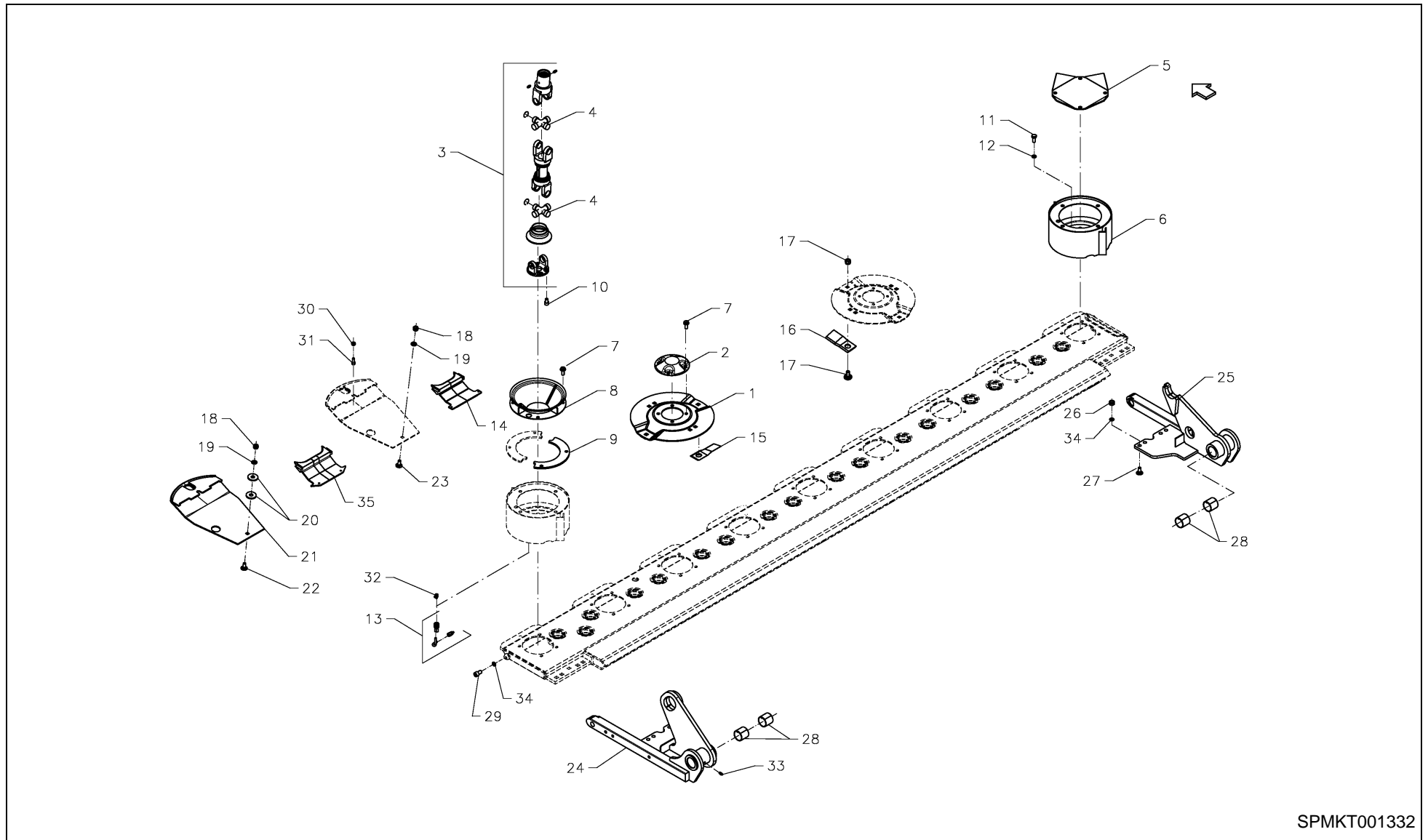


SPMKT001331

4336LR / Cutterbar, spare parts set



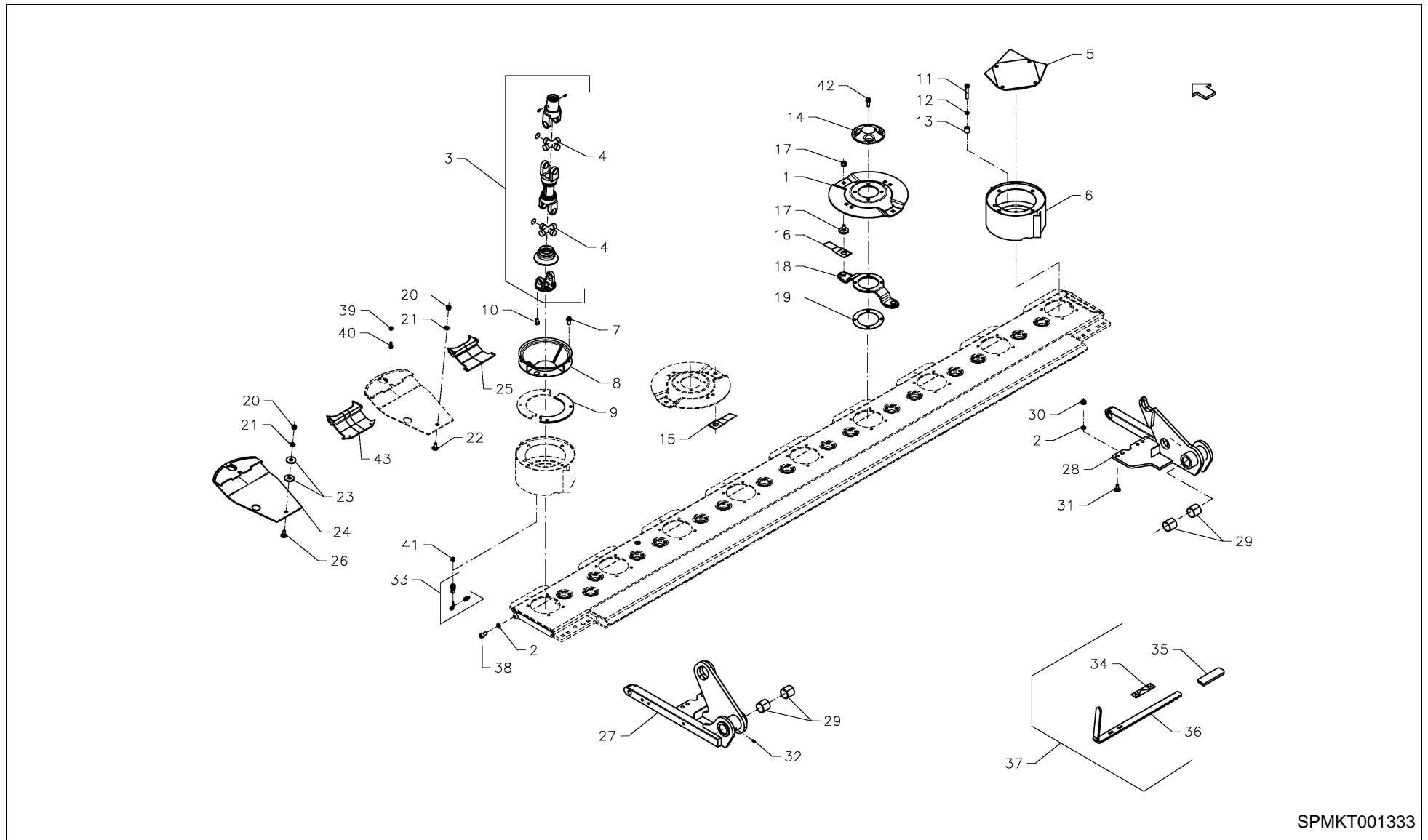
| PosNo. | Part No. | Qty. | Description | Remark |
|--------|------------|------|--|--------|
| 1 | KT55243300 | 1 | CASING WITH 2 BEARINGS, CPL FOR CONE AND | |
| 2 | KT55245300 | 1 | CASING WITH 2 BEARINGS, CPL. FOR CONE | |
| 3 | KT55710200 | 1 | GASKET SET T-BAR | |
| 4 | KT55706100 | 1 | SET OF BEARING | |
| 5 | KT55994000 | 1 | KIT OF 2 BEARINGS | |



SPMKT001332

4336LR / Transmission, cutterbar

| PosNo. | Part No. | Qty. | Description | Remark |
|--------|--------------|------|---------------------------------------|--------|
| 1 | KT5513300094 | 9 | CUTTING DISC | |
| 2 | KT5513700086 | 7 | COVER | |
| 3 | KT55246100 | 1 | UNIVERSAL JOINT, COMPLETE | |
| 4 | KT99244511 | 2 | CROSS, COMPLETE | |
| 5 | KT5516200094 | 1 | TOP PLATE | |
| 6 | KT5512820094 | 2 | CONE | |
| 7 | KT99308826 | 36 | STEEL BOLT (VERBUS RIBB BOLT) M10X20 | |
| 8 | KT6865820094 | 1 | TOP CONE | |
| 9 | KT5524700086 | 2 | RING | |
| 10 | KG00595400 | 4 | CHEESE HEAD SCREW M10X16 12.9 | |
| 11 | KT99322670 | 8 | STEELSET SCREW M10X25 12.9 | |
| 12 | KT99333832 | 8 | LOCK WASHER 10,3 X 16,6 NORDLOCK | |
| 13 | KT69708000 | 1 | LUBRICATION PIPE L= 115MM, COMPLETE | |
| 14 | KT5513910086 | 7 | COUNTER KNIFE | |
| 15 | KT5611090001 | 8 | KNIFE, LH (126 MM) | |
| 16 | KT5611040001 | 10 | KNIFE RH (126 MM) | |
| 17 | KT56785000 | 1 | KNIFE BOLT KIT CPL. (25 PCS.) | |
| 18 | KG01064161 | 9 | LOCK NUT M10 8 | |
| 19 | KG01267461 | 9 | WASHER M10 | |
| 20 | KT5627100061 | 4 | WASHER Ø13-Ø40X4 | |
| 21 | KT5512510086 | 9 | WEARING SOLE | |
| 22 | KT56149000 | 2 | PLOUGH BOLT M10-40 | |
| 23 | KT45429000 | 7 | PLOUGH BOLT M10-30 | |
| 24 | KT9030600086 | 1 | BRACKET, LH | |
| 25 | KT9030500086 | 1 | BRACKET, RH | |
| 26 | KG01052161 | 8 | HEX. NUT M12 8 | |
| 27 | KT4543100061 | 8 | PLOUGH BOLT M12X35 | |
| 28 | KT99158084 | 4 | BEARING BUSHING PM 40 | |
| 29 | KG00596200 | 2 | CHEESE HEAD SCREW M12X20 12.9 | |
| 30 | KG01067561 | 9 | LOCK NUT M8 8 | |
| 31 | KG00545061 | 9 | CHEESE HEAD SCREW M8X20 8.8 | |
| 32 | KT99417027 | 1 | GREASE NIPPLE M6 | |
| 33 | KT99417025 | 2 | GREASE NIPPLE M6 | |
| 34 | KT99333833 | 10 | LOCK WASHER 13,0-19,5 NORDLOCK (NL12) | |
| 35 | KT5514010086 | 1 | COUNTER KNIFE | |

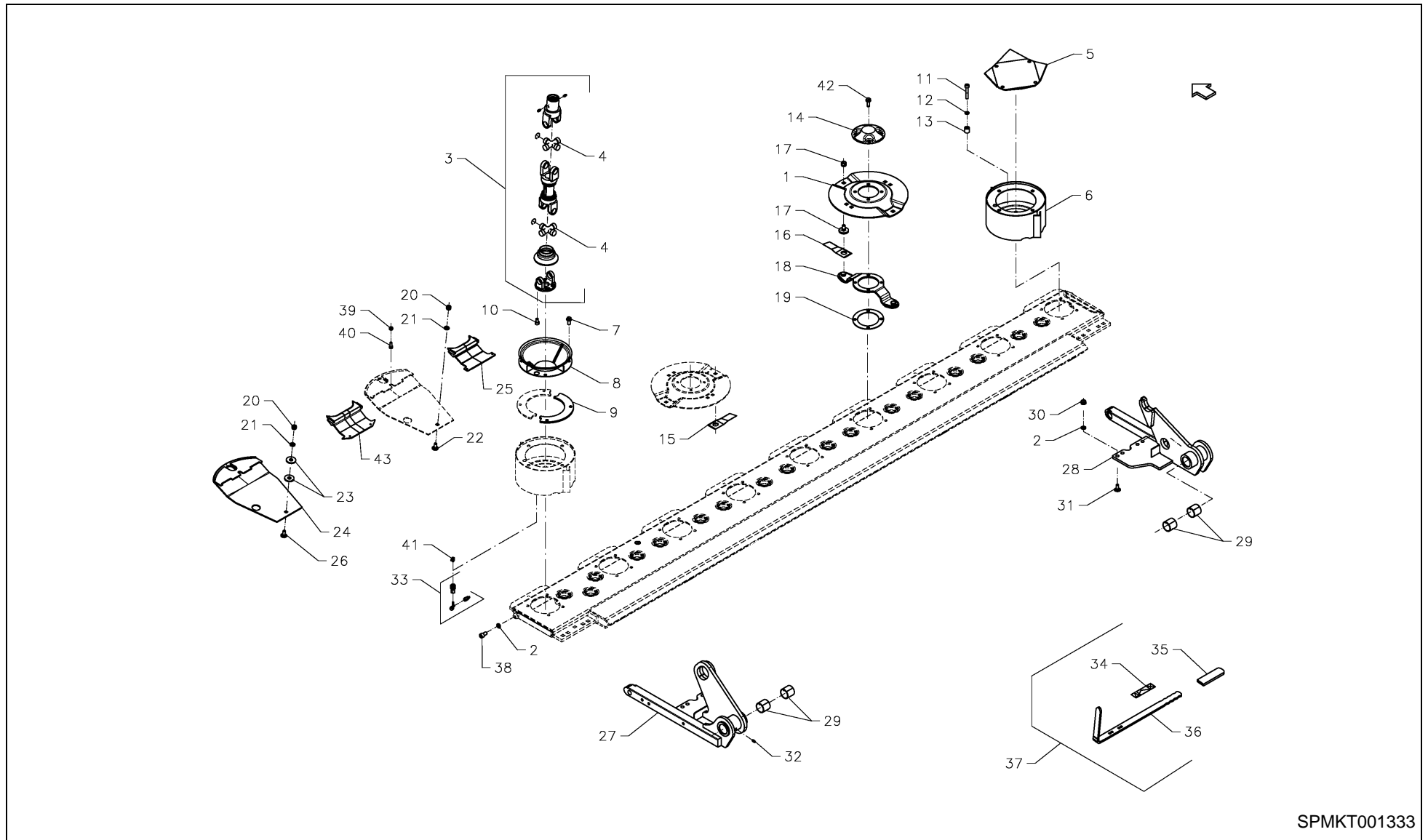


SPMKT001333

4336LR / Transmission, cutterbar + ProFit



| PosNo. | Part No. | Qty. | Description | Remark |
|--------|--------------|------|---------------------------------------|--------|
| 1 | KT5513300094 | 9 | CUTTING DISC | |
| 2 | KT99333833 | 10 | LOCK WASHER 13,0-19,5 NORDLOCK (NL12) | |
| 3 | KT55246100 | 1 | UNIVERSAL JOINT, COMPLETE | |
| 4 | KT99244511 | 2 | CROSS, COMPLETE | |
| 5 | KT5516200094 | 1 | TOP PLATE | |
| 6 | KT5512820094 | 2 | CONE | |
| 7 | KT99308826 | 8 | STEEL BOLT (VERBUS RIBB BOLT) M10X20 | |
| 8 | KT6865820094 | 1 | TOP CONE | |
| 9 | KT5524700086 | 2 | RING | |
| 10 | KG00595400 | 4 | CHEESE HEAD SCREW M10X16 12.9 | |
| 11 | KG01904500 | 8 | CHEESE HEAD SCREW M10X60 12.9 | |
| 12 | KT99333832 | 8 | LOCK WASHER 10,3 X 16,6 NORDLOCK | |
| 13 | KT5539800061 | 8 | BUSHING | |
| 14 | KT5513700086 | 7 | COVER | |
| 15 | KT5611090001 | 8 | KNIFE, LH (126 MM) | |
| 16 | KT5611040001 | 10 | KNIFE RH (126 MM) | |
| 17 | KT56998000 | 1 | KIT OF KNIFE BOLT (25 PCS.) | |
| 18 | KT5518800086 | 9 | SPRING, COMPLETE | |
| 19 | KT5518600061 | 9 | WASHER | |
| 20 | KG01064161 | 9 | LOCK NUT M10 8 | |
| 21 | KG01267461 | 9 | WASHER M10 | |
| 22 | KT45429000 | 7 | PLOUGH BOLT M10-30 | |
| 23 | KT5627100061 | 4 | WASHER Ø13-Ø40X4 | |
| 24 | KT5512510086 | 9 | WEARING SOLE | |
| 25 | KT5513910086 | 7 | COUNTER KNIFE | |
| 26 | KT56149000 | 2 | PLOUGH BOLT M10-40 | |
| 27 | KT9030600086 | 1 | BRACKET, LH | |
| 28 | KT9030500086 | 1 | BRACKET, RH | |
| 29 | KT99158084 | 4 | BEARING BUSHING PM 40 | |
| 30 | KG01052161 | 8 | HEX. NUT M12 8 | |
| 31 | KT4543100061 | 8 | PLOUGH BOLT M12X35 | |
| 32 | KT99417025 | 2 | GREASE NIPPLE M6 | |
| 33 | KT69708000 | 1 | LUBRICATION PIPE L= 115MM, COMPLETE | |
| 34 | KT55769000 | 1 | DECAL | |
| 35 | KT38218000 | 1 | PLASTIC HANDLE | |
| 36 | KT5517400061 | 1 | TOOL | |
| 37 | KT55177000 | 1 | TOOL COMPLETE | |
| 38 | KG00596200 | 2 | CHEESE HEAD SCREW M12X20 12.9 | |
| 39 | KG01067561 | 9 | LOCK NUT M8 8 | |
| 40 | KG00545061 | 9 | CHEESE HEAD SCREW M8X20 8.8 | |

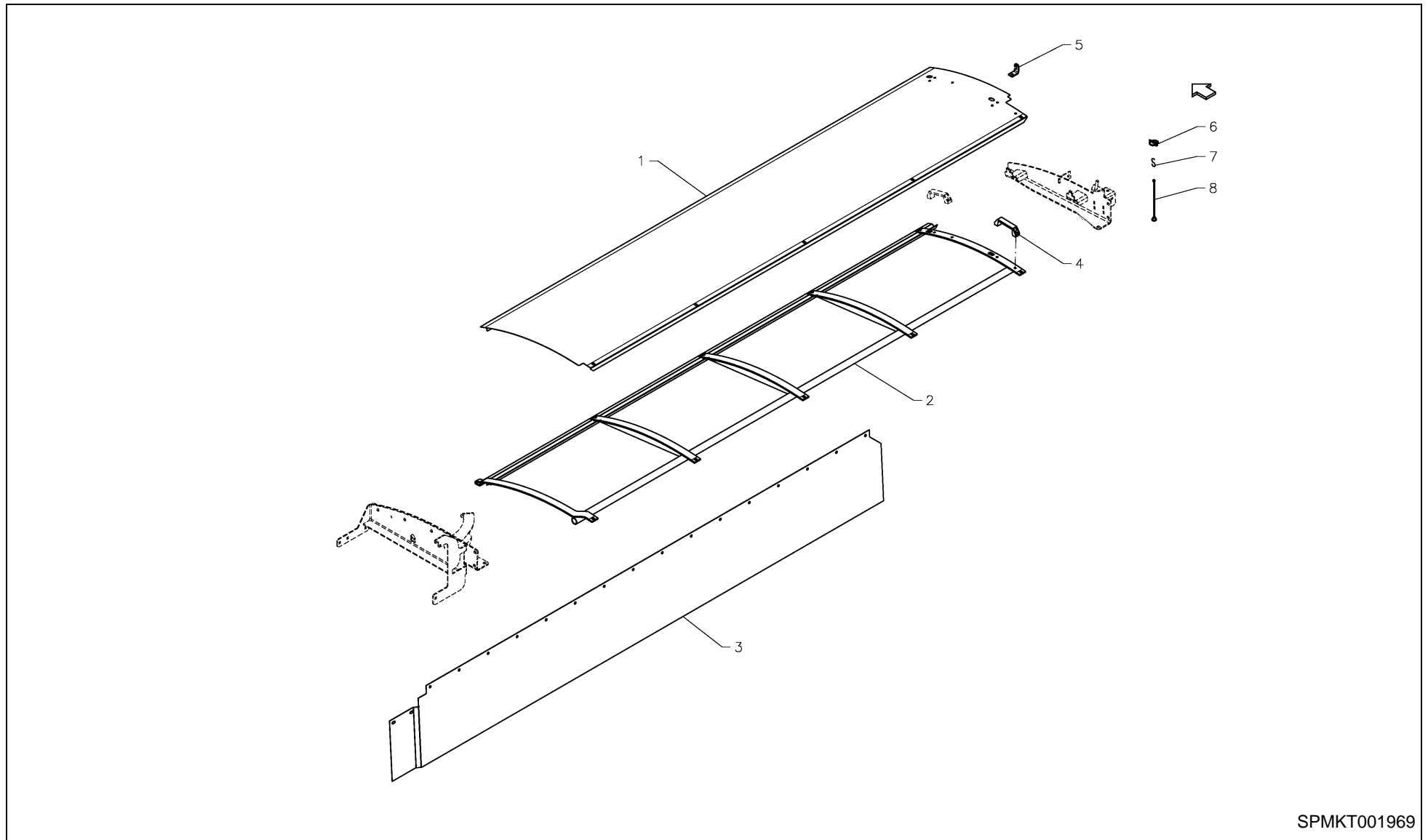


SPMKT001333

4336LR / Transmission, cutterbar + ProFit



| PosNo. | Part No. | Qty. | Description | Remark |
|--------|--------------|------|--|--------|
| 41 | KT99417027 | 1 | GREASE NIPPLE M6 | |
| 42 | KT99308832 | 32 | STEEL BOLT M10X35 10.9(VERBUS RIBB BOLT) | |
| 43 | KT5514010086 | 1 | COUNTER KNIFE | |

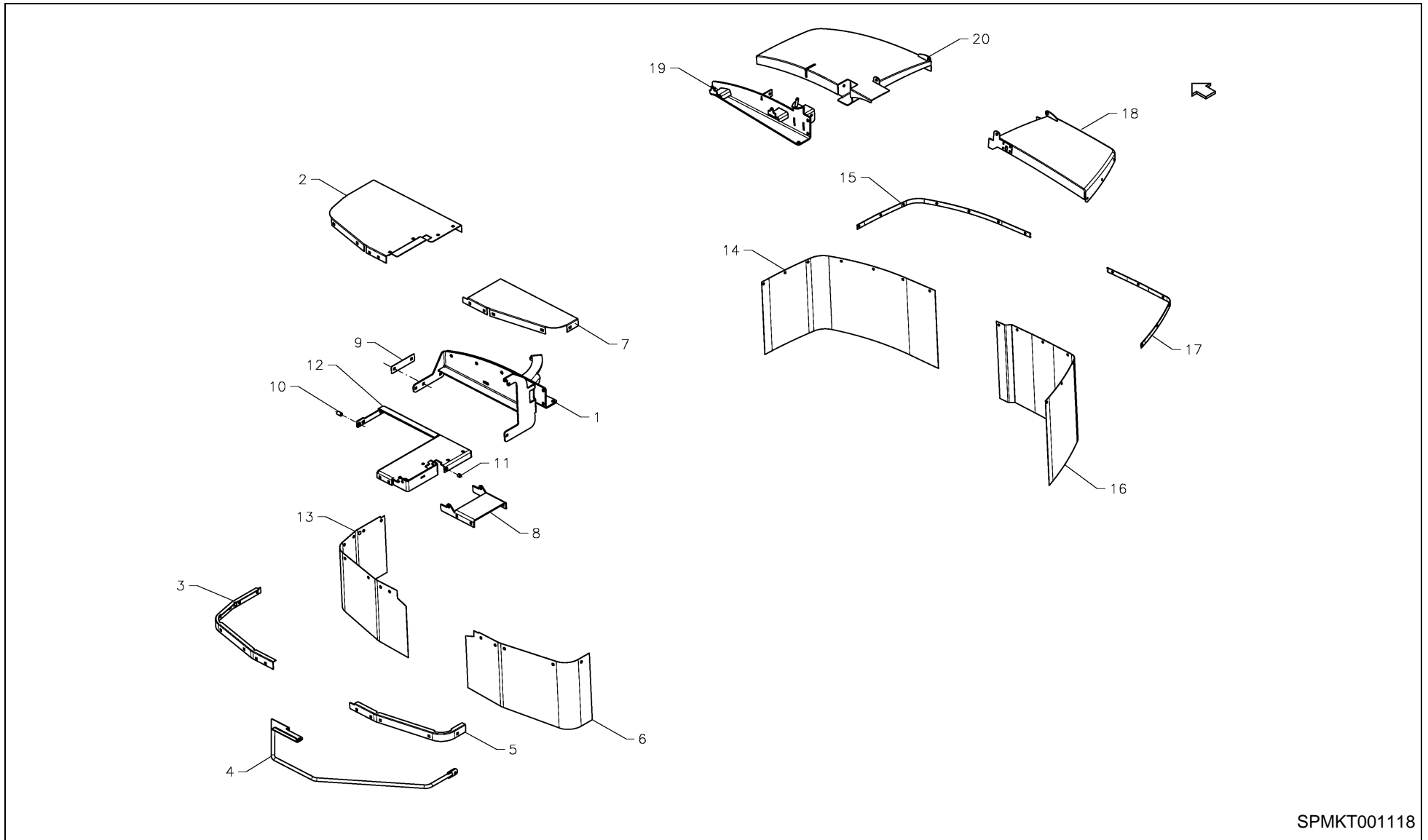


SPMKT001969

4336LR / Guard



| PosNo. | Part No. | Qty. | Description | Remark |
|--------|--------------|------|------------------------|--------|
| 1 | KT9064410094 | 1 | COVER PLATE FRONT 3,6M | |
| 2 | KT9064210094 | 1 | FRAME FRONT GUARD 3,6M | |
| 3 | KT91805000 | 1 | TARPAULIN, FRONT | |
| 4 | KT99458238 | 2 | PLASTIC HANDLE | |
| 5 | KT9088000061 | 2 | BRACKET | |
| 6 | KT99331901 | 5 | LINCH PIN Ø 6 | |
| 7 | KT99452096 | 5 | HOOK | |
| 8 | VF06564448 | 5 | CORD | |



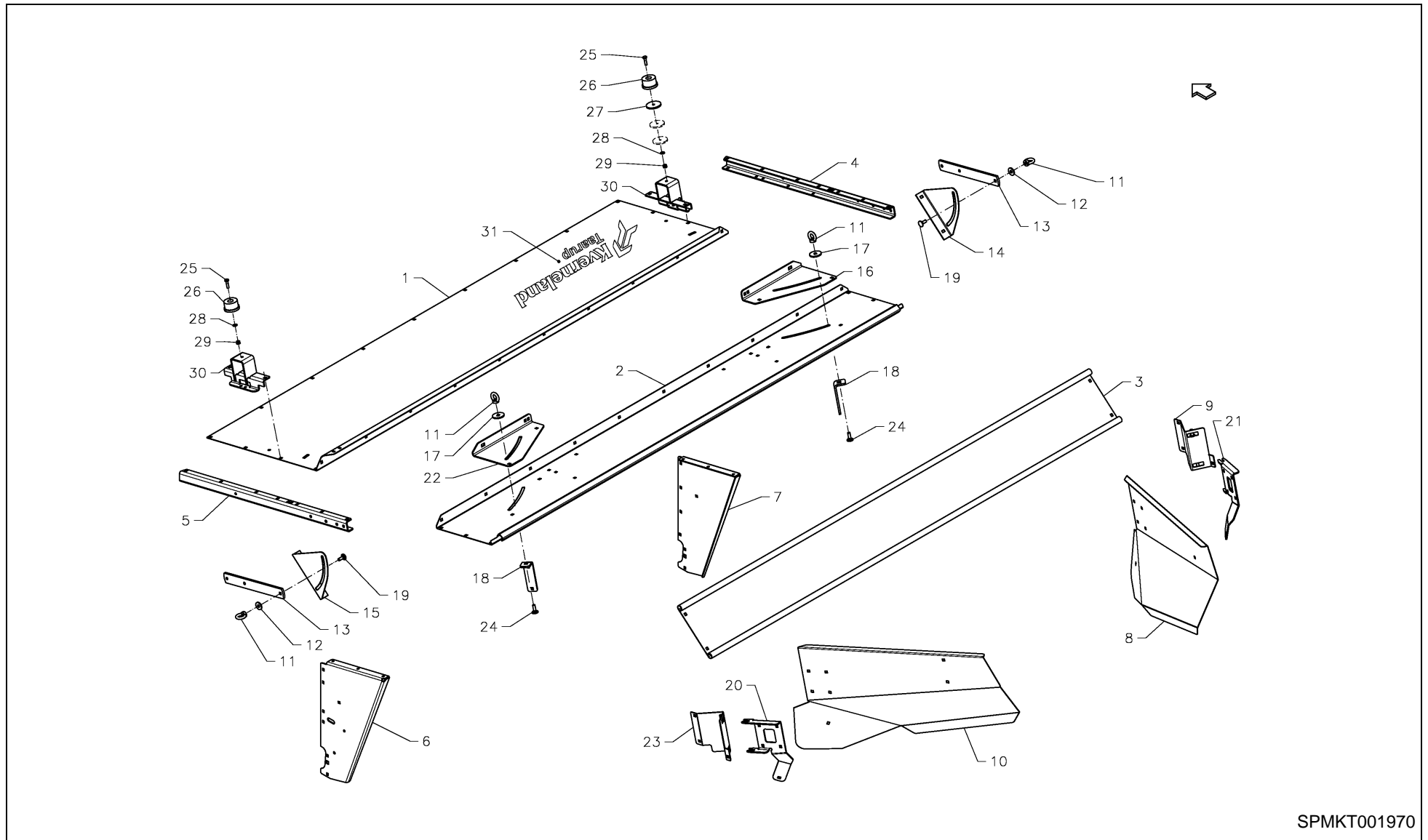
SPMKT001118

4336LR / Guard



| PosNo. | Part No. | Qty. | Description | Remark |
|--------|--------------|------|---------------------------|--------|
| 1 | KT9179000094 | 1 | ARM | |
| 2 | KT9179500094 | 1 | TOP PLATE, FRONT | |
| 3 | KT9179400094 | 1 | EDGING, FRONT | |
| 4 | KT9179100094 | 1 | PROTECTION HOOP | |
| 5 | KT9179300094 | 1 | EDGING, REAR | |
| 6 | KT91785000 | 1 | TARPAULIN LH GUARD, REAR | |
| 7 | KT9179700094 | 1 | TOP PLATE, REAR | |
| 8 | KT9179600094 | 1 | FRAME, REAR | |
| 9 | KT9179200061 | 1 | BRACKET | |
| 10 | KT9179900061 | 1 | BUSHING | |
| 11 | KT9179800061 | 1 | BUSHING | |
| 12 | KT9180000094 | 1 | FRAME, FRONT PROTECTION | |
| 13 | KT91783000 | 1 | TARPAULIN LH GUARD, FRONT | |
| 14 | KT90860000 | 1 | TARPAULIN | |
| 15 | KT9083200061 | 1 | RAIL, RH | |
| 16 | KT90826000 | 1 | TARPAULIN | |
| 17 | KT9083300061 | 1 | RAIL, RH | |
| 18 | KT9058720094 | 1 | STEEL GUARD REAR RH | |
| 19 | KT9063720094 | 1 | ARM FOR GUARD | |
| 20 | KT9058620094 | 1 | STEEL GUARD RH | |

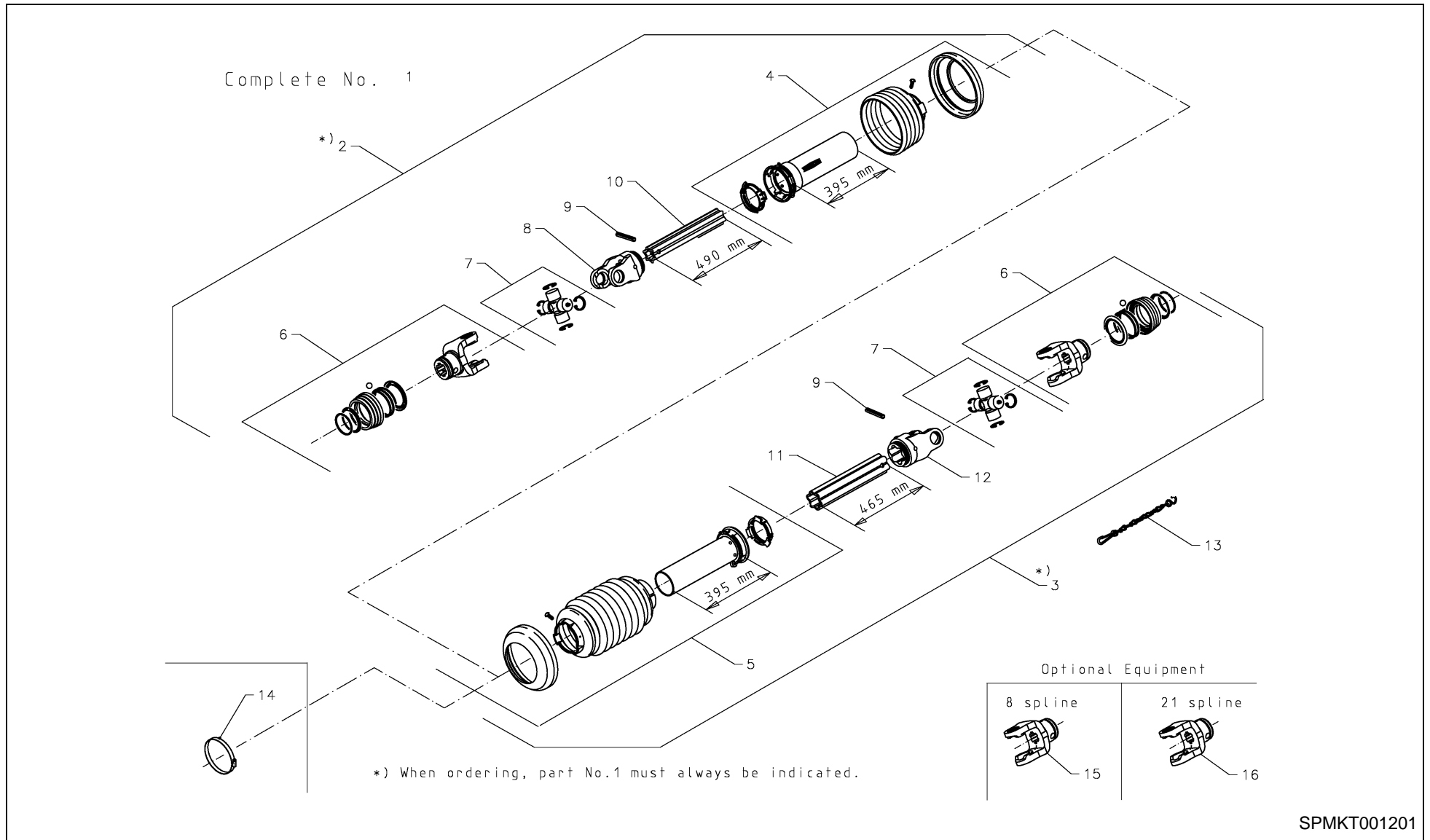
4336LR / Rear end & deflector plate



SPMKT001970

4336LR / Rear end & deflector plate

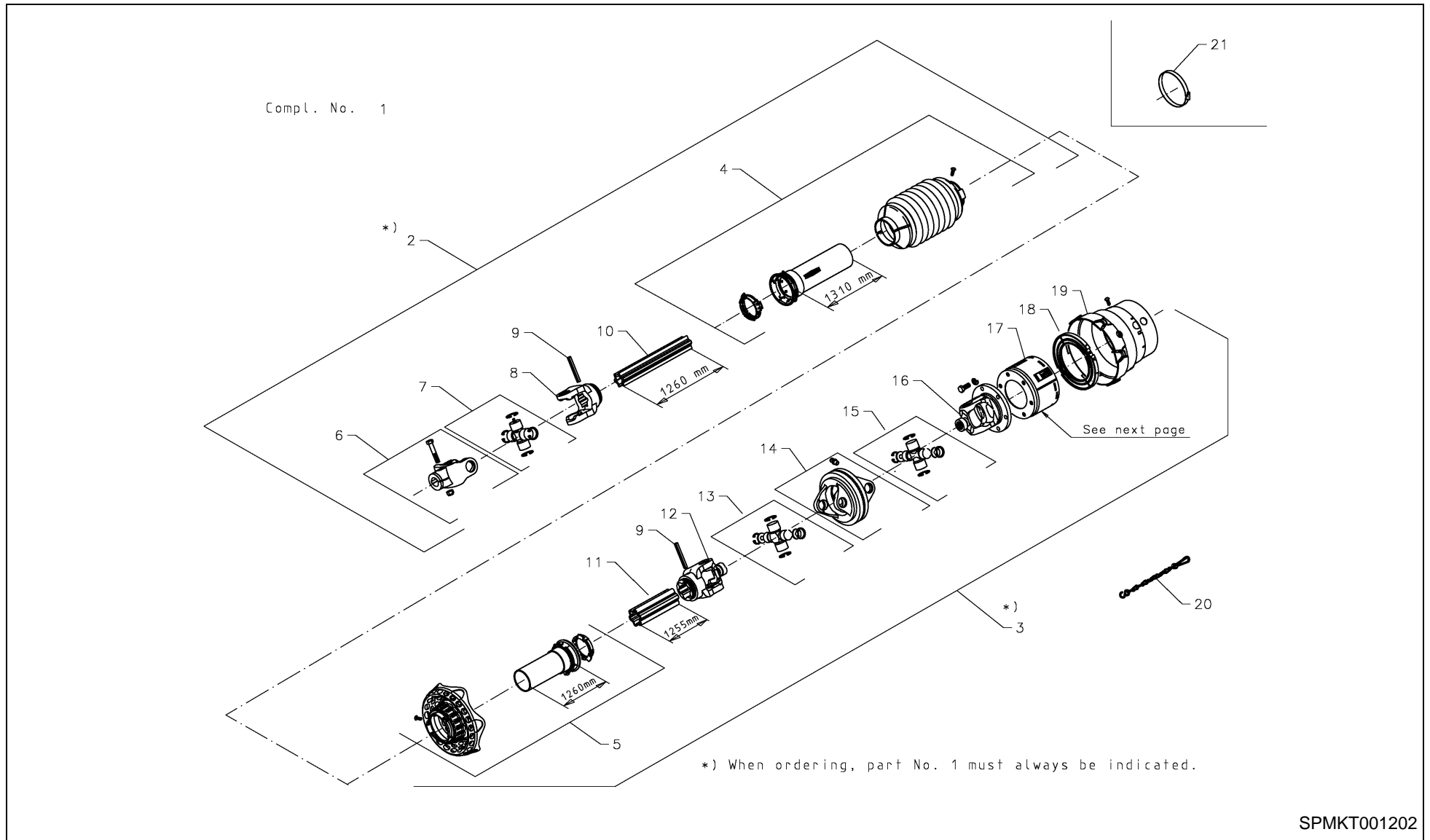
| PosNo. | Part No. | Qty. | Description | Remark |
|--------|--------------|------|---------------------------|--------|
| 1 | KT9044900094 | 1 | UPPER PLATE 3,5 / 3,6 M | |
| 2 | KT9045010094 | 1 | UPPER PLATE 3,5 / 3,6M | |
| 3 | KT9045200094 | 1 | PLATE 3,5 / 3,6 M | |
| 4 | KT9034100094 | 1 | PROFILE, RH | |
| 5 | KT9034000094 | 1 | PROFILE, LH | |
| 6 | KT9031610094 | 1 | SIDE PLATE LH | |
| 7 | KT9031710094 | 1 | SIDE PLATE RH | |
| 8 | KT9248400094 | 1 | DEFLECTOR PLATE, RH | |
| 9 | KT9248100061 | 1 | MAIN BRACKET. RH | |
| 10 | KT9248300094 | 1 | DEFLECTOR PLATE, LH | |
| 11 | KG01094161 | 4 | EYE NUT M12 C15 | |
| 12 | KT5627100061 | 2 | WASHER Ø13-Ø40X4 | |
| 13 | KT6977200094 | 2 | PROFILE | |
| 14 | KT6975420094 | 1 | BRACKET RH | |
| 15 | KT6975520094 | 1 | BRACKET LH | |
| 16 | KT9119500094 | 1 | REINFORCEMENT PLATE RH | |
| 17 | KT3917400061 | 2 | WASHER | |
| 18 | KT9044400061 | 2 | BRACKET | |
| 19 | KG00644961 | 2 | CARRIAGE BOLT M12X35 8.8 | |
| 20 | KT9248500061 | 1 | BRACKET, LH | |
| 21 | KT9248600061 | 1 | BRACKET, RH | |
| 22 | KT9119300094 | 1 | REINFORCEMENT PLATE LH | |
| 23 | KT9248200061 | 1 | MAIN BRACKET. LH | |
| 24 | KG00645061 | 2 | CARRIAGE BOLT M12X40 8.8 | |
| 25 | KG00355261 | 3 | HEX. BOLT M10X40 8.8 | |
| 26 | KT99450758 | 2 | RUBBER DAMPER | |
| 27 | KT70122000 | 3 | WASHER | |
| 28 | KG01267461 | 2 | WASHER M10 | |
| 29 | KG01064161 | 2 | LOCK NUT M10 8 | |
| 30 | KT9182700061 | 2 | BRACKET FOR RUBBER DAMPER | |
| 31 | KT91437000 | 1 | DECAL "KVERNELAND TAARUP" | |



4336LR / PTO shaft



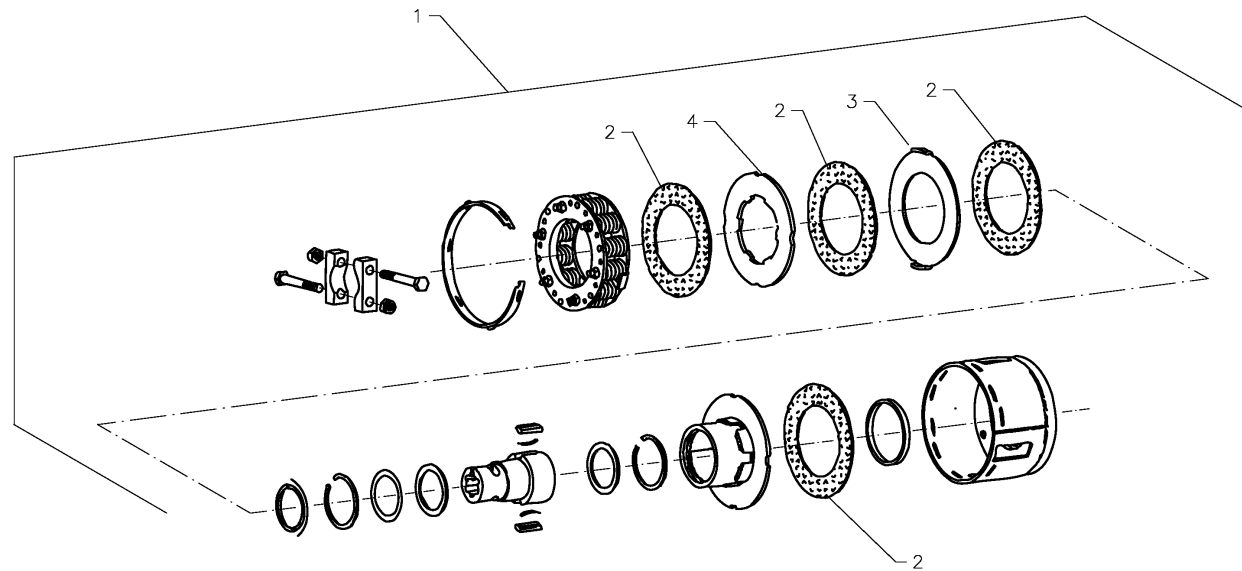
| PosNo. | Part No. | Qty. | Description | Remark |
|--------|------------|------|---------------------------------|-------------------------|
| 1 | KT99244475 | 1 | PTO SHAFT, COMPLETE | Walterscheid No. 137802 |
| 2 | KT99244476 | 1 | PTO SHAFT, INNER HALF, COMPLETE | |
| 3 | KT99244477 | 1 | PTO SHAFT, OUTER HALF, COMPLETE | |
| 4 | KT99244472 | 1 | OUTER PROTECTION TUBE, COMPLETE | Walterscheid No. 356905 |
| 5 | KT99244473 | 1 | INNER PROTECTION TUBE, COMPLETE | Walterscheid No. 116653 |
| 6 | KT99244569 | 2 | YOKE, COMPLETE | Walterscheid No. 133836 |
| 7 | KT99244480 | 2 | CROSS CPL. | Walterscheid No. 116404 |
| 8 | KT99244571 | 1 | YOKE | Walterscheid No. 116653 |
| 9 | KG01194500 | 2 | TENSION PIN 10X80 | Walterscheid No. 020617 |
| 10 | KT99244577 | 1 | INNER PROFILE TUBE | Walterscheid No. 134940 |
| 11 | KT99244578 | 1 | OUTER PROFILE TUBE | Walterscheid No. 017660 |
| 12 | KT99244572 | 1 | YOKE | Walterscheid No. 356906 |
| 13 | KT99236775 | 1 | CHAIN | Walterscheid No. 044321 |
| 14 | KT99352040 | 1 | HOSE BAND Ø87/Ø112 / 12 | |
| 15 | KT99244503 | 1 | PTO YOKE 8 SPLINE SW. HITCH | Walterscheid No. 135569 |
| 16 | KT99244504 | 1 | PTO YOKE 21 SPLINE SWIVEL HITCH | Walterscheid No. 133844 |



4336LR / PTO shaft



| PosNo. | Part No. | Qty. | Description | Remark |
|--------|------------|------|---------------------------------|-------------------------|
| 1 | KT99244495 | 1 | PTO SHAFT, COMPLETE | Walterscheid No. 149228 |
| 2 | KT99244496 | 1 | PTO SHAFT, INNER HALF, COMPLETE | |
| 3 | KT99244497 | 1 | PTO SHAFT, OUTER HALF, COMPLETE | |
| 4 | KT99244474 | 1 | OUTER PROTECTION TUBE, COMPLETE | Walterscheid No. 116669 |
| 5 | KT99244478 | 1 | INNER PROTECTION TUBE, COMPLETE | Walterscheid No. 116670 |
| 6 | KT99244573 | 1 | YOKE | Walterscheid No. 320687 |
| 7 | KT99244498 | 1 | CROSS, COMPLETE | Walterscheid No. 122078 |
| 8 | KT99244571 | 1 | YOKE | Walterscheid No. 356905 |
| 9 | KG01194500 | 1 | TENSION PIN 10X80 | Walterscheid No. 020617 |
| 10 | KT99244545 | 1 | INNER PROFILE TUBE L=1260MM | Walterscheid No. 134937 |
| 11 | KT99244546 | 1 | OUTER PROFILE TUBE L=1255MM | Walterscheid No. 138797 |
| 12 | KT99244574 | 1 | YOKE | Walterscheid No. 133906 |
| 13 | KT99244499 | 1 | CROSS, COMPLETE | Walterscheid No. 135078 |
| 14 | KT99244575 | 1 | DOUBLE YOKE WITH GREASE NIPPLE | Walterscheid No. 128854 |
| 15 | KT99244501 | 1 | CROSS, COMPLETE | Walterscheid No. 135077 |
| 16 | KT99244576 | 1 | FLANGE YOKE | Walterscheid No. 137805 |
| 17 | KT99244481 | 1 | FRICTION CLUTCH, CPL. | Walterscheid No. 137841 |
| 18 | KT99244547 | 1 | BEARING RING | Walterscheid No. 172715 |
| 19 | KT99244548 | 1 | GUARD FOR CONE | Walterscheid No. 139194 |
| 20 | KT99244549 | 1 | SAFETY CHAIN | Walterscheid No. 38207 |
| 21 | KT99352040 | 1 | HOSE BAND Ø87/Ø112 / 12 | |



SPMKT001203

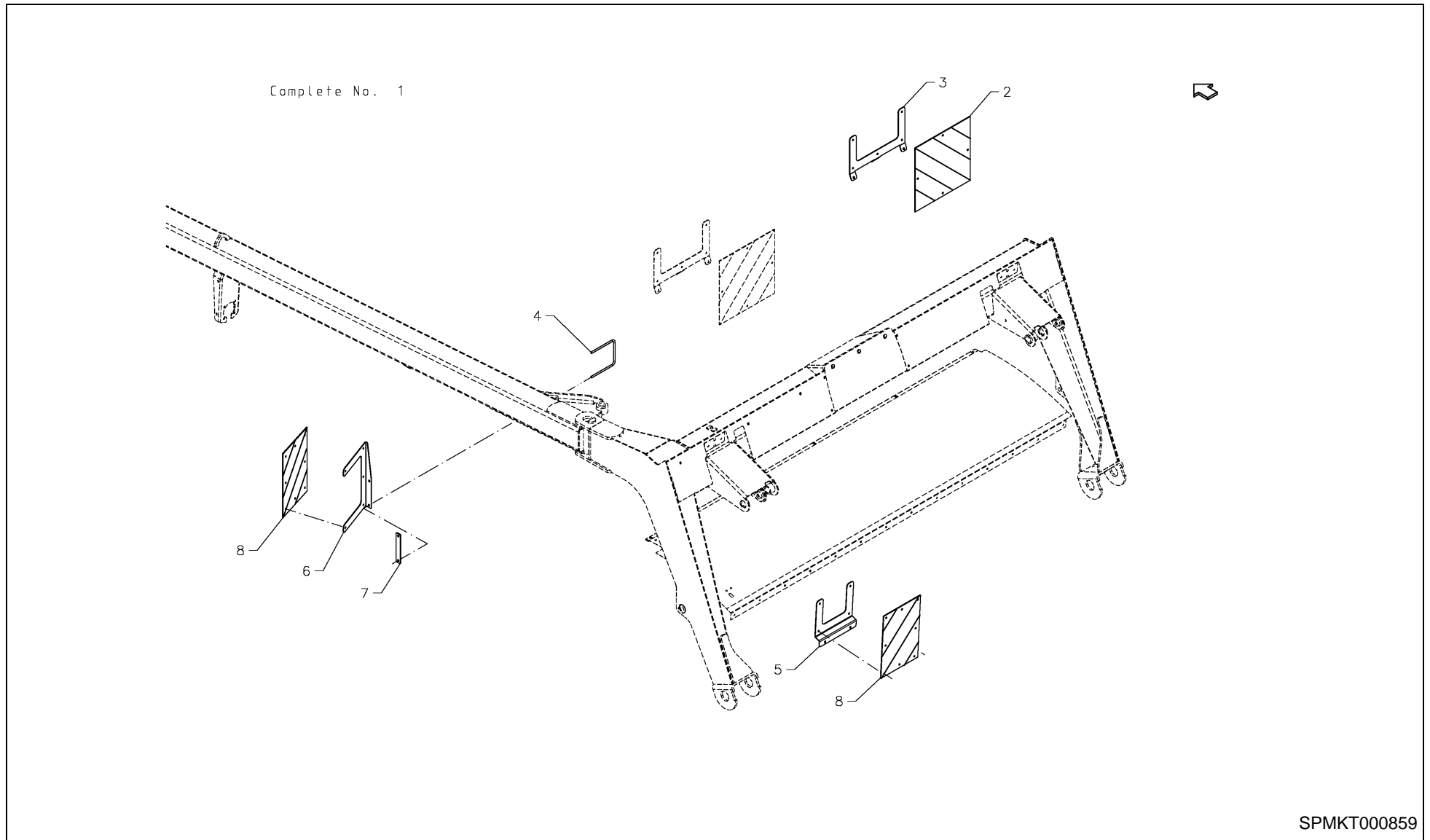
4336LR / Friction clutch

| PosNo. | Part No. | Qty. | Description | Remark |
|--------|------------|------|-----------------------|-------------------------|
| 1 | KT99244481 | 1 | FRICTION CLUTCH, CPL. | Walterscheid No. 137841 |
| 2 | KT99244479 | 4 | FRICTION DISC | Walterscheid No. 177009 |
| 3 | KT99244579 | 1 | DRIVE PLATE | Walterscheid No. 367726 |
| 4 | KT99244581 | 1 | DRIVE PLATE | Walterscheid No. 367725 |

4336LR / LIGHTING KIT



| PosNo. | Part No. | Qty. | Description | Remark |
|--------|--------------|------|-----------------------|--------|
| 1 | KT99478196 | 1 | 7 PIN PLUG | |
| 2 | KT92284000 | 2 | CABLE, L = 10400MM | |
| 3 | KT99477147 | 2 | LIGHT BULP 12V-4W | |
| 4 | KT99478389 | 8 | CABLE TIE | |
| 5 | KT99458332 | 2 | REFLEX | |
| 6 | KT99474335 | 1 | REAR LIGHT | |
| 7 | KT99474336 | 1 | REAR LIGHT | |
| 8 | KT99477138 | 4 | LIGHTING BULB 12V 21W | |
| 9 | KT99477137 | 2 | LIGHTING BULB 12 10W | |
| 10 | KT90582200 | 2 | CABLE | |
| 11 | KT99474355 | 2 | SIDE LIGHT | |
| 12 | KT9182100061 | 2 | BRACKET FOR LIGHTING | |
| 13 | KT90583000 | 2 | CABLE L= 200 MM. | |

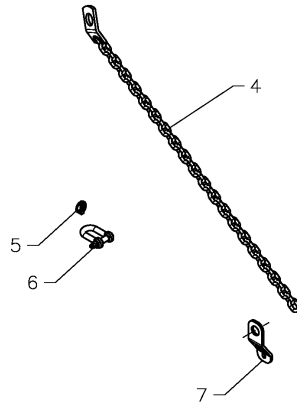


4336LR / Optional equipment

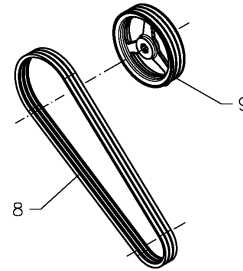


| PosNo. | Part No. | Qty. | Description | Remark |
|--------|--------------|------|--|--------|
| 1 | ACCESSOIRE | 1 | PLEASE CONTACT YOUR DEALER | |
| 2 | KT99458380 | 2 | RED/WHITE L/R WARNING FOIL 423X423 | |
| 3 | KT9116010061 | 2 | MAIN BRACKET | |
| 4 | KT9116200061 | 1 | U-BOLT | |
| 5 | KT9115500061 | 1 | CONSOLE | |
| 6 | KT9115700061 | 1 | CONSOLE | |
| 7 | KT9116100061 | 1 | FLAT STEEL | |
| 8 | KT99458381 | 2 | RED/WHITE WARNI 423X282 VERT=RH/HORIZ=LH | |

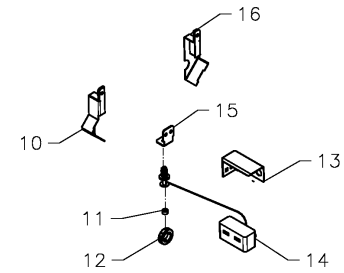
Optional Equipment 1



Optional Equipment (1200 rpm) 2



Optional Equipment 3

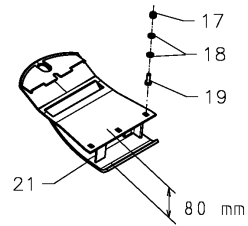


4336LR / Optional equipment

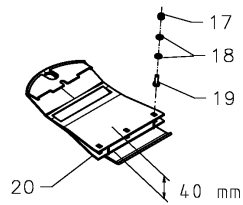


| PosNo. | Part No. | Qty. | Description | Remark |
|--------|--------------|------|---------------------------------------|--------|
| 1 | ACCESSOIRE | 1 | PLEASE CONTACT YOUR DEALER | |
| 2 | ACCESSOIRE | 1 | PLEASE CONTACT YOUR DEALER | |
| 3 | ACCESSOIRE | 1 | PLEASE CONTACT YOUR DEALER | |
| 4 | KT6755820061 | 1 | CHAIN | |
| 5 | KT42176000 | 1 | LINCH PIN Ø10MM | |
| 6 | KT99452075 | 1 | SHACKLE 3/4" | |
| 7 | KT9089800061 | 1 | BRACKET | |
| 8 | KT99202437 | 1 | V-BELT SET SPB LW 2005 (SET = 3 PCS.) | |
| 9 | KT9040000001 | 1 | PULLEY 3 SPB DW Ø280 MM | |
| 10 | KT9155200061 | 1 | COVER FOR HOUR COUNTER, RH | |
| 11 | KT99478087 | 2 | MAGNET | |
| 12 | KT91550000 | 1 | RING | |
| 13 | KT9155400061 | 1 | BRACKET FOR DISPLAY, HOUR COUNTER | |
| 14 | KT91641000 | 1 | HOUR COUNTER MODULE, COMPLETE | |
| 15 | KT9155300061 | 1 | BRACKET FOR SPOOL | |
| 16 | KT9155100061 | 1 | COVER FOR HOUR COUNTER, LH | |
| 17 | KT56785000 | 1 | KNIFE BOLT KIT CPL. (25 PCS.) | |
| 18 | KT5611030001 | 25 | KNIFE (128 MM) | |
| 19 | KT5611050001 | 25 | KNIFE (131 MM) | |

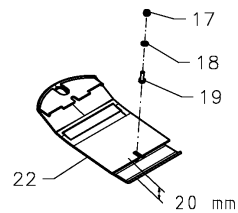
Optional Equipment 2



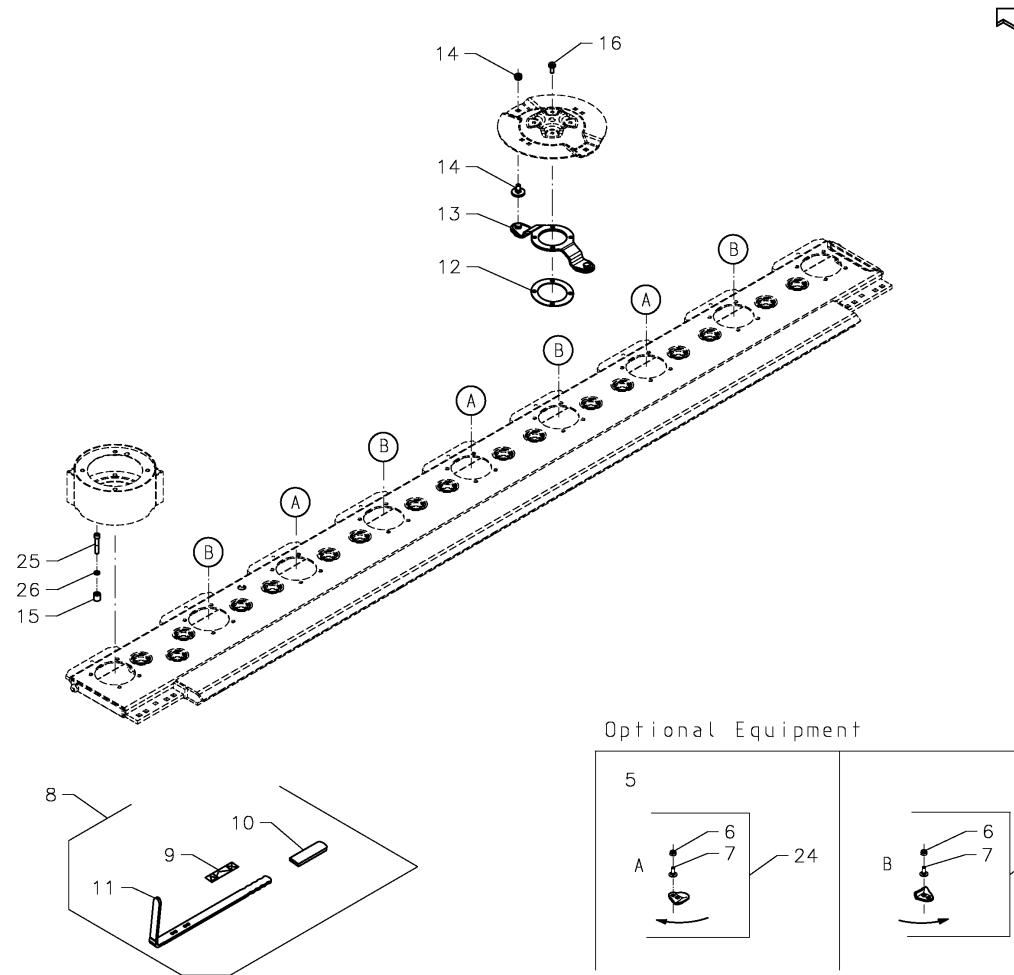
Optional Equipment 3



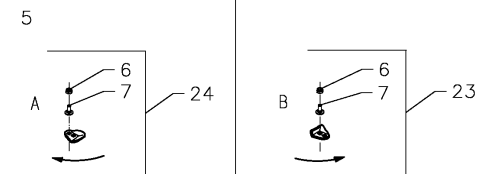
Optional Equipment 4



Optional Equipment 1



Optional Equipment



SPMKT001971

4336LR / Optional equipment

| PosNo. | Part No. | Qty. | Description | Remark |
|--------|--------------|------|--|--------|
| 1 | ACCESSOIRE | 1 | PLEASE CONTACT YOUR DEALER | |
| 2 | ACCESSOIRE | 2 | PLEASE CONTACT YOUR DEALER | |
| 3 | ACCESSOIRE | 2 | PLEASE CONTACT YOUR DEALER | |
| 4 | ACCESSOIRE | 2 | PLEASE CONTACT YOUR DEALER | |
| 5 | ACCESSOIRE | 1 | PLEASE CONTACT YOUR DEALER | |
| 6 | KG01072361 | 24 | LOCK NUT M10 8 | |
| 7 | KT45432000 | 24 | CARRIAGE BOLT M10-20 | |
| 8 | KT55177000 | 1 | TOOL COMPLETE | |
| 9 | KT55769000 | 1 | DECAL | |
| 10 | KT38218000 | 1 | PLASTIC HANDLE | |
| 11 | KT5517400061 | 1 | TOOL | |
| 12 | KT5518600061 | 9 | WASHER | |
| 13 | KT5518800086 | 9 | SPRING, COMPLETE | |
| 14 | KT56998000 | 1 | KIT OF KNIFE BOLT (25 PCS.) | |
| 15 | KT5539800061 | 8 | BUSHING | |
| 16 | KT99308832 | 36 | STEEL BOLT M10X35 10.9(VERBUS RIBB BOLT) | |
| 17 | KG01064161 | 2 | LOCK NUT M10 8 | |
| 18 | KG01267461 | 4 | WASHER M10 | |
| 19 | KG00474361 | 2 | HEX. SCREW M10X30 8.8 | |
| 20 | KT5524000086 | 2 | HIGH STONE GUARD 40 MM | |
| 21 | KT5515300086 | 2 | HIGH STONE GUARD 80 MM | |
| 22 | KT5535000086 | 2 | HIGH STONE GUARD 20MM | |
| 23 | KT55694100 | 3 | THROWING WING, LEFT | |
| 24 | KT55693100 | 4 | THROWING WING, RIGHT | |
| 25 | KG01904500 | 8 | CHEESE HEAD SCREW M10X60 12.9 | |
| 26 | KT99333832 | 8 | LOCK WASHER 10,3 X 16,6 NORDLOCK | |

4336LR / Part No Index



| Part No. | Page | Pos No | Part No. | Page | Pos No | Part No. | Page | Pos No | Part No. | Page | Pos No |
|------------|------|--------|------------|------|--------|------------|------|--------|--------------|------|--------|
| ACCESSOIRE | 1 | 17 | KG00476561 | 10 | 6 | KG01067561 | 17 | 30 | KG01799200 | 14 | 25 |
| ACCESSOIRE | 26 | 1 | KG00476661 | 4 | 16 | KG01067561 | 18 | 39 | KG01799900 | 6 | 3 |
| ACCESSOIRE | 27 | 1 | KG00542161 | 15 | 26 | KG01072361 | 28 | 6 | KG01799900 | 14 | 23 |
| ACCESSOIRE | 27 | 2 | KG00545061 | 17 | 31 | KG01094161 | 21 | 11 | KG01800100 | 14 | 26 |
| ACCESSOIRE | 27 | 3 | KG00545061 | 18 | 40 | KG01099300 | 14 | 30 | KG01800500 | 5 | 10 |
| ACCESSOIRE | 28 | 1 | KG00595400 | 15 | 2 | KG01108300 | 9 | 6 | KG01840800 | 15 | 4 |
| ACCESSOIRE | 28 | 2 | KG00595400 | 17 | 10 | KG01108800 | 9 | 38 | KG01840900 | 15 | 22 |
| ACCESSOIRE | 28 | 3 | KG00595400 | 18 | 10 | KG01109300 | 8 | 14 | KG01904500 | 18 | 11 |
| ACCESSOIRE | 28 | 4 | KG00595700 | 6 | 12 | KG01109800 | 14 | 31 | KG01904500 | 28 | 25 |
| ACCESSOIRE | 28 | 5 | KG00596200 | 17 | 29 | KG01110100 | 5 | 8 | KG99354122 | 11 | 17 |
| KD0300863 | 11 | 30 | KG00596200 | 18 | 38 | KG01110400 | 4 | 22 | KT10101000 | 6 | 23 |
| KD0300863 | 12 | 11 | KG00644961 | 21 | 19 | KG01128700 | 2 | 5 | KT10105000 | 11 | 31 |
| KG00029200 | 6 | 16 | KG00645061 | 21 | 24 | KG01129300 | 14 | 32 | KT10105000 | 12 | 26 |
| KG00046200 | 6 | 5 | KG00862861 | 11 | 27 | KG01130900 | 11 | 20 | KT10105000 | 15 | 25 |
| KG00089600 | 11 | 22 | KG00862861 | 12 | 17 | KG01130900 | 12 | 23 | KT26422000 | 1 | 24 |
| KG00089600 | 12 | 24 | KG00864061 | 11 | 2 | KG01130900 | 14 | 33 | KT2844700061 | 4 | 39 |
| KG00122900 | 14 | 37 | KG00864061 | 12 | 2 | KG01130900 | 15 | 3 | KT3130700061 | 3 | 13 |
| KG00339161 | 13 | 25 | KG00865161 | 9 | 39 | KG01131900 | 14 | 34 | KT3626300061 | 4 | 40 |
| KG00355261 | 21 | 25 | KG01043761 | 13 | 6 | KG01194500 | 22 | 9 | KT38218000 | 18 | 35 |
| KG00355761 | 9 | 18 | KG01052161 | 17 | 26 | KG01194500 | 23 | 9 | KT38218000 | 28 | 10 |
| KG00357661 | 12 | 12 | KG01052161 | 18 | 30 | KG01267461 | 17 | 19 | KT38754000 | 5 | 16 |
| KG00362061 | 11 | 11 | KG01052562 | 13 | 5 | KG01267461 | 18 | 21 | KT38754000 | 6 | 24 |
| KG00362561 | 1 | 20 | KG01052661 | 3 | 7 | KG01267461 | 21 | 28 | KT38755000 | 5 | 17 |
| KG00363161 | 1 | 12 | KG01064161 | 9 | 20 | KG01267461 | 28 | 18 | KT38755000 | 6 | 25 |
| KG00458861 | 9 | 15 | KG01064161 | 17 | 18 | KG01267561 | 9 | 26 | KT3877520094 | 4 | 1 |
| KG00471761 | 14 | 40 | KG01064161 | 18 | 20 | KG01267761 | 1 | 11 | KT3877610061 | 4 | 4 |
| KG00471961 | 14 | 28 | KG01064161 | 21 | 29 | KG01267761 | 1 | 19 | KT3877810094 | 4 | 24 |
| KG00473961 | 15 | 13 | KG01064161 | 28 | 17 | KG01267961 | 13 | 2 | KT38797000 | 6 | 6 |
| KG00474161 | 6 | 7 | KG01064261 | 9 | 31 | KG01309000 | 4 | 32 | KT38798000 | 5 | 1 |
| KG00474161 | 14 | 29 | KG01064461 | 1 | 10 | KG01310700 | 10 | 7 | KT38798000 | 6 | 1 |
| KG00474361 | 28 | 19 | KG01064461 | 1 | 18 | KG01378900 | 9 | 7 | KT3917400061 | 21 | 17 |
| KG00476261 | 15 | 35 | KG01064661 | 9 | 32 | KG01799100 | 14 | 21 | KT42176000 | 27 | 5 |
| KG00476561 | 9 | 27 | KG01064661 | 13 | 3 | KG01799200 | 5 | 4 | KT45429000 | 17 | 23 |

4336LR / Part No Index



| Part No. | Page | Pos No | Part No. | Page | Pos No | Part No. | Page | Pos No | Part No. | Page | Pos No |
|--------------|------|--------|--------------|------|--------|--------------|------|--------|--------------|------|--------|
| KT45429000 | 18 | 22 | KT55245300 | 16 | 2 | KT5574900001 | 11 | 16 | KT6828300001 | 10 | 2 |
| KT4543100061 | 17 | 27 | KT55246100 | 17 | 3 | KT5574920001 | 12 | 19 | KT68312000 | 3 | 10 |
| KT4543100061 | 18 | 31 | KT55246100 | 18 | 3 | KT5576600001 | 11 | 13 | KT6865820094 | 17 | 8 |
| KT45432000 | 28 | 7 | KT5524700086 | 17 | 9 | KT5576600001 | 12 | 15 | KT6865820094 | 18 | 8 |
| KT4837700061 | 9 | 30 | KT5524700086 | 18 | 9 | KT5576600001 | 15 | 20 | KT6936100061 | 13 | 4 |
| KT5512510086 | 17 | 21 | KT5535000086 | 28 | 22 | KT5576700001 | 15 | 21 | KT69540000 | 13 | 19 |
| KT5512510086 | 18 | 24 | KT5539800061 | 18 | 13 | KT55769000 | 18 | 34 | KT69708000 | 17 | 13 |
| KT5512820094 | 17 | 6 | KT5539800061 | 28 | 15 | KT55769000 | 28 | 9 | KT69708000 | 18 | 33 |
| KT5512820094 | 18 | 6 | KT5539900001 | 15 | 6 | KT55994000 | 16 | 5 | KT6975420094 | 21 | 14 |
| KT5513210086 | 15 | 14 | KT5540200001 | 15 | 18 | KT5611030001 | 27 | 18 | KT6975520094 | 21 | 15 |
| KT5513300094 | 17 | 1 | KT5540300001 | 15 | 23 | KT5611040001 | 17 | 16 | KT6977200094 | 21 | 13 |
| KT5513300094 | 18 | 1 | KT5564010001 | 15 | 11 | KT5611040001 | 18 | 16 | KT70122000 | 21 | 27 |
| KT5513700086 | 17 | 2 | KT5564110001 | 15 | 32 | KT5611050001 | 27 | 19 | KT79459000 | 7 | 28 |
| KT5513700086 | 18 | 14 | KT5564210001 | 11 | 7 | KT5611090001 | 17 | 15 | KT90226000 | 11 | 1 |
| KT5513910086 | 17 | 14 | KT5564210001 | 12 | 5 | KT5611090001 | 18 | 15 | KT9030500086 | 17 | 25 |
| KT5513910086 | 18 | 25 | KT5564210001 | 15 | 39 | KT56149000 | 17 | 22 | KT9030500086 | 18 | 28 |
| KT5514010086 | 17 | 35 | KT55643000 | 11 | 6 | KT56149000 | 18 | 26 | KT9030600086 | 17 | 24 |
| KT5514010086 | 18 | 43 | KT5564300001 | 12 | 7 | KT56227000 | 8 | 13 | KT9030600086 | 18 | 27 |
| KT5515300086 | 28 | 21 | KT5564400001 | 11 | 9 | KT5627100061 | 17 | 20 | KT9031610094 | 21 | 6 |
| KT5515400001 | 15 | 12 | KT5564400001 | 12 | 9 | KT5627100061 | 18 | 23 | KT9031710094 | 21 | 7 |
| KT5516200094 | 17 | 5 | KT5564400001 | 15 | 30 | KT5627100061 | 21 | 12 | KT9032000086 | 9 | 37 |
| KT5516200094 | 18 | 5 | KT5564610001 | 15 | 8 | KT56785000 | 17 | 17 | KT9032110094 | 9 | 40 |
| KT5517400061 | 18 | 36 | KT5564900061 | 15 | 38 | KT56785000 | 27 | 17 | KT9033110094 | 4 | 15 |
| KT5517400061 | 28 | 11 | KT55650000 | 15 | 36 | KT56998000 | 18 | 17 | KT9033210001 | 4 | 29 |
| KT55177000 | 18 | 37 | KT55651000 | 15 | 37 | KT56998000 | 28 | 14 | KT9033300094 | 4 | 26 |
| KT55177000 | 28 | 8 | KT5567000001 | 10 | 5 | KT5874000061 | 9 | 25 | KT9033400094 | 4 | 27 |
| KT5518600061 | 18 | 19 | KT5567000001 | 15 | 34 | KT5882400061 | 9 | 33 | KT9034000094 | 21 | 5 |
| KT5518600061 | 28 | 12 | KT55693100 | 28 | 24 | KT59447000 | 4 | 18 | KT9034100094 | 21 | 4 |
| KT5518800086 | 18 | 18 | KT55694100 | 28 | 23 | KT6056800061 | 4 | 25 | KT9035200061 | 9 | 19 |
| KT5518800086 | 28 | 13 | KT55695100 | 15 | 27 | KT6244500061 | 3 | 11 | KT9035300061 | 9 | 17 |
| KT5520920086 | 15 | 1 | KT55706100 | 16 | 4 | KT6245600001 | 9 | 8 | KT9036100061 | 2 | 4 |
| KT5524000086 | 28 | 20 | KT55710200 | 16 | 3 | KT6755820061 | 27 | 4 | KT9036200061 | 2 | 14 |
| KT55243300 | 16 | 1 | KT5572910061 | 15 | 5 | KT67602000 | 7 | 19 | KT9037700061 | 13 | 7 |

4336LR / Part No Index



| Part No. | Page | Pos No | Part No. | Page | Pos No | Part No. | Page | Pos No | Part No. | Page | Pos No |
|--------------|------|--------|---------------|------|--------|--------------|------|--------|--------------|------|--------|
| KT9037810061 | 13 | 9 | KT9051600086 | 9 | 13 | KT9079000061 | 9 | 24 | KT91291000 | 13 | 22 |
| KT9037910086 | 13 | 20 | KT9052900094 | 1 | 26 | KT90792000 | 2 | 22 | KT9129700061 | 2 | 16 |
| KT9038010086 | 13 | 21 | KT9053510061 | 9 | 36 | KT9081510094 | 9 | 12 | KT91385000 | 4 | 46 |
| KT9038110086 | 13 | 10 | KT9053710086 | 9 | 5 | KT90826000 | 20 | 16 | KT9143600061 | 2 | 19 |
| KT9039810061 | 13 | 11 | KT9053800061 | 9 | 28 | KT9083200061 | 20 | 15 | KT91437000 | 21 | 31 |
| KT9040000001 | 27 | 9 | KT9054000086 | 12 | 1 | KT9083300061 | 20 | 17 | KT9149800061 | 8 | 8 |
| KT9040200061 | 1 | 5 | KT9054110086 | 11 | 24 | KT9085300097 | 9 | 21 | KT9150000061 | 4 | 17 |
| KT9040300097 | 8 | 1 | KT9054700001 | 11 | 28 | KT9085300097 | 13 | 18 | KT9150100061 | 4 | 19 |
| KT9041320001 | 13 | 12 | KT9054800001 | 11 | 19 | KT90860000 | 20 | 14 | KT9150200061 | 4 | 20 |
| KT9041410001 | 13 | 16 | KT9054800001 | 12 | 21 | KT9087800061 | 2 | 7 | KT91503000 | 8 | 4 |
| KT9041510001 | 13 | 14 | KT9054900061 | 11 | 3 | KT9088000061 | 19 | 5 | KT91550000 | 27 | 12 |
| KT9041610001 | 13 | 17 | KT9054900061 | 12 | 3 | KT9088100061 | 4 | 13 | KT9155100061 | 27 | 16 |
| KT90435000 | 13 | 1 | KT9055000061 | 11 | 15 | KT9089700061 | 2 | 20 | KT9155200061 | 27 | 10 |
| KT9044400061 | 21 | 18 | KT9055000061 | 12 | 18 | KT9089800061 | 27 | 7 | KT9155300061 | 27 | 15 |
| KT9044900094 | 21 | 1 | KT90557600061 | 4 | 31 | KT9089900061 | 4 | 14 | KT9155400061 | 27 | 13 |
| KT9045010094 | 21 | 2 | KT90557700061 | 2 | 10 | KT9093700086 | 1 | 23 | KT9161700001 | 1 | 27 |
| KT9045200094 | 21 | 3 | KT90557800061 | 2 | 15 | KT9093800086 | 1 | 21 | KT9161700001 | 4 | 47 |
| KT9046530061 | 2 | 1 | KT905582200 | 25 | 10 | KT9093900086 | 1 | 22 | KT9161800094 | 4 | 8 |
| KT9046900061 | 9 | 23 | KT905583000 | 25 | 13 | KT9094100061 | 2 | 18 | KT9162600061 | 4 | 38 |
| KT9047100094 | 9 | 3 | KT90558620094 | 20 | 20 | KT9096700061 | 4 | 48 | KT91641000 | 27 | 14 |
| KT9047200061 | 2 | 12 | KT90558720094 | 20 | 18 | KT9098610061 | 9 | 34 | KT9164700061 | 4 | 35 |
| KT9047300061 | 2 | 8 | KT9062910061 | 14 | 42 | KT9115500061 | 26 | 5 | KT9164800094 | 4 | 7 |
| KT9047900094 | 2 | 3 | KT9063000061 | 9 | 29 | KT9115700061 | 26 | 6 | KT9164900061 | 4 | 36 |
| KT9048000094 | 2 | 17 | KT9063720094 | 20 | 19 | KT9116010061 | 26 | 3 | KT9165100061 | 4 | 5 |
| KT9048200061 | 2 | 9 | KT9064210094 | 19 | 2 | KT9116100061 | 26 | 7 | KT9165200061 | 4 | 6 |
| KT9048300094 | 2 | 11 | KT9064410094 | 19 | 1 | KT9116200061 | 26 | 4 | KT9166700094 | 4 | 2 |
| KT9049000094 | 9 | 2 | KT90662000 | 7 | 27 | KT9117810086 | 9 | 14 | KT91783000 | 20 | 13 |
| KT9049920097 | 3 | 4 | KT90667000 | 7 | 1 | KT9118500061 | 9 | 10 | KT91785000 | 20 | 6 |
| KT9050020097 | 3 | 3 | KT90677000 | 8 | 10 | KT9119300094 | 21 | 22 | KT9178800061 | 9 | 11 |
| KT9050100061 | 13 | 15 | KT90687100 | 7 | 10 | KT9119500094 | 21 | 16 | KT9179000094 | 20 | 1 |
| KT9050720094 | 9 | 9 | KT90688300 | 7 | 23 | KT9124000061 | 9 | 4 | KT9179100094 | 20 | 4 |
| KT9051220061 | 8 | 12 | KT9074720094 | 4 | 34 | KT9124100061 | 13 | 13 | KT9179200061 | 20 | 9 |
| KT9051410061 | 3 | 8 | KT9078900061 | 9 | 35 | KT91291000 | 9 | 22 | KT9179300094 | 20 | 5 |

4336LR / Part No Index



| Part No. | Page | Pos No | Part No. | Page | Pos No | Part No. | Page | Pos No | Part No. | Page | Pos No |
|--------------|------|--------|--------------|------|--------|------------|------|--------|------------|------|--------|
| KT9179400094 | 20 | 3 | KT9248400094 | 21 | 8 | KT99244485 | 4 | 28 | KT99250520 | 6 | 20 |
| KT9179500094 | 20 | 2 | KT9248500061 | 21 | 20 | KT99244495 | 23 | 1 | KT99250552 | 6 | 14 |
| KT9179600094 | 20 | 8 | KT9248600061 | 21 | 21 | KT99244496 | 23 | 2 | KT99250553 | 5 | 5 |
| KT9179700094 | 20 | 7 | KT99100380 | 11 | 5 | KT99244497 | 23 | 3 | KT99250553 | 14 | 8 |
| KT9179800061 | 20 | 11 | KT99100380 | 12 | 6 | KT99244498 | 23 | 7 | KT99250556 | 6 | 4 |
| KT9179900061 | 20 | 10 | KT99102032 | 11 | 23 | KT99244499 | 23 | 13 | KT99250556 | 14 | 9 |
| KT9180000094 | 20 | 12 | KT99103230 | 11 | 21 | KT99244501 | 23 | 15 | KT99250557 | 6 | 17 |
| KT91805000 | 19 | 3 | KT99103230 | 12 | 22 | KT99244503 | 22 | 15 | KT99250558 | 6 | 11 |
| KT91812000 | 1 | 25 | KT99106235 | 14 | 24 | KT99244504 | 22 | 16 | KT99250561 | 6 | 8 |
| KT9182000061 | 1 | 4 | KT99125012 | 4 | 30 | KT99244506 | 14 | 41 | KT99250562 | 5 | 7 |
| KT9182100061 | 25 | 12 | KT99158062 | 13 | 23 | KT99244511 | 17 | 4 | KT99250563 | 6 | 18 |
| KT9182700061 | 21 | 30 | KT99158065 | 3 | 12 | KT99244511 | 18 | 4 | KT99250564 | 6 | 9 |
| KT9184700094 | 1 | 7 | KT99158066 | 4 | 3 | KT99244545 | 23 | 10 | KT99250582 | 5 | 15 |
| KT9184800094 | 1 | 6 | KT99158084 | 17 | 28 | KT99244546 | 23 | 11 | KT99250592 | 5 | 12 |
| KT9184900094 | 1 | 2 | KT99158084 | 18 | 29 | KT99244547 | 23 | 18 | KT99250595 | 5 | 13 |
| KT9185000094 | 1 | 3 | KT99158088 | 2 | 2 | KT99244548 | 23 | 19 | KT99250596 | 5 | 2 |
| KT9187600061 | 13 | 26 | KT99158090 | 4 | 21 | KT99244549 | 23 | 20 | KT99250597 | 6 | 10 |
| KT91910000 | 14 | 18 | KT99160045 | 2 | 6 | KT99244569 | 22 | 6 | KT99250598 | 6 | 13 |
| KT91911000 | 14 | 17 | KT99160047 | 2 | 13 | KT99244571 | 22 | 8 | KT99250599 | 6 | 15 |
| KT9210800061 | 3 | 15 | KT99202436 | 10 | 1 | KT99244571 | 23 | 8 | KT99250803 | 14 | 1 |
| KT9211000061 | 3 | 9 | KT99202437 | 27 | 8 | KT99244572 | 22 | 12 | KT99250906 | 14 | 3 |
| KT9211100061 | 3 | 14 | KT99236775 | 22 | 13 | KT99244573 | 23 | 6 | KT99250910 | 5 | 3 |
| KT9211200061 | 3 | 2 | KT99244472 | 22 | 4 | KT99244574 | 23 | 12 | KT99250932 | 5 | 9 |
| KT9220200061 | 3 | 16 | KT99244473 | 22 | 5 | KT99244575 | 23 | 14 | KT99250932 | 14 | 5 |
| KT9221500063 | 3 | 1 | KT99244474 | 23 | 4 | KT99244576 | 23 | 16 | KT99250945 | 14 | 6 |
| KT92249000 | 7 | 15 | KT99244475 | 22 | 1 | KT99244577 | 22 | 10 | KT99250946 | 14 | 7 |
| KT92250000 | 7 | 16 | KT99244476 | 22 | 2 | KT99244578 | 22 | 11 | KT99250982 | 14 | 35 |
| KT92284000 | 25 | 2 | KT99244477 | 22 | 3 | KT99244579 | 24 | 3 | KT99250998 | 5 | 14 |
| KT9231000094 | 1 | 1 | KT99244478 | 23 | 5 | KT99244581 | 24 | 4 | KT99251142 | 14 | 36 |
| KT9231210094 | 9 | 1 | KT99244479 | 24 | 2 | KT99250404 | 14 | 16 | KT99251306 | 14 | 10 |
| KT9248100061 | 21 | 9 | KT99244480 | 22 | 7 | KT99250417 | 6 | 19 | KT99251307 | 14 | 11 |
| KT9248200061 | 21 | 23 | KT99244481 | 23 | 17 | KT99250433 | 14 | 20 | KT99251308 | 14 | 12 |
| KT9248300094 | 21 | 10 | KT99244481 | 24 | 1 | KT99250470 | 14 | 4 | KT99251309 | 14 | 13 |

4336LR / Part No Index



| Part No. | Page | Pos No | Part No. | Page | Pos No | Part No. | Page | Pos No | Part No. | Page | Pos No |
|------------|------|--------|------------|------|--------|------------|------|--------|------------|------|--------|
| KT99251310 | 14 | 14 | KT99352040 | 23 | 21 | KT99413144 | 8 | 2 | KT99457135 | 15 | 28 |
| KT99251311 | 14 | 15 | KT99354026 | 15 | 10 | KT99413147 | 3 | 5 | KT99458104 | 5 | 11 |
| KT99251315 | 14 | 19 | KT99354122 | 11 | 26 | KT99413148 | 3 | 6 | KT99458109 | 11 | 29 |
| KT99251316 | 14 | 22 | KT99354122 | 12 | 20 | KT99417025 | 8 | 15 | KT99458109 | 12 | 25 |
| KT99251317 | 14 | 27 | KT99354142 | 5 | 6 | KT99417025 | 17 | 33 | KT99458109 | 15 | 16 |
| KT99251318 | 14 | 38 | KT99354142 | 6 | 2 | KT99417025 | 18 | 32 | KT99458238 | 19 | 4 |
| KT99251319 | 14 | 39 | KT99402007 | 7 | 24 | KT99417027 | 17 | 32 | KT99458246 | 4 | 43 |
| KT99251320 | 14 | 2 | KT99402112 | 8 | 9 | KT99417027 | 18 | 41 | KT99458247 | 4 | 44 |
| KT99302819 | 15 | 19 | KT99402113 | 7 | 3 | KT99420109 | 11 | 12 | KT99458248 | 4 | 42 |
| KT99307773 | 2 | 23 | KT99402114 | 7 | 12 | KT99420109 | 12 | 14 | KT99458332 | 25 | 5 |
| KT99307775 | 7 | 4 | KT99402114 | 7 | 18 | KT99420109 | 15 | 7 | KT99458380 | 26 | 2 |
| KT99307967 | 6 | 22 | KT99402119 | 8 | 5 | KT99420125 | 11 | 4 | KT99458381 | 26 | 8 |
| KT99308826 | 17 | 7 | KT99402133 | 7 | 22 | KT99420125 | 12 | 4 | KT99462633 | 11 | 32 |
| KT99308826 | 18 | 7 | KT99402914 | 7 | 7 | KT99420125 | 15 | 33 | KT99462633 | 12 | 10 |
| KT99308832 | 18 | 42 | KT99402915 | 8 | 3 | KT99420238 | 11 | 8 | KT99462633 | 15 | 17 |
| KT99308832 | 28 | 16 | KT99402922 | 7 | 14 | KT99420238 | 12 | 8 | KT99462718 | 15 | 15 |
| KT99314529 | 11 | 14 | KT99402941 | 7 | 20 | KT99420238 | 15 | 31 | KT99474335 | 25 | 6 |
| KT99322670 | 17 | 11 | KT99402952 | 7 | 9 | KT99420286 | 11 | 18 | KT99474336 | 25 | 7 |
| KT99331340 | 6 | 21 | KT99403015 | 7 | 11 | KT99420286 | 12 | 16 | KT99474355 | 25 | 11 |
| KT99331901 | 2 | 21 | KT99403211 | 7 | 17 | KT99420286 | 15 | 9 | KT99477137 | 25 | 9 |
| KT99331901 | 4 | 33 | KT99403213 | 8 | 7 | KT99428522 | 7 | 21 | KT99477138 | 25 | 8 |
| KT99331901 | 19 | 6 | KT99404018 | 7 | 8 | KT99432066 | 1 | 8 | KT99477147 | 25 | 3 |
| KT99333832 | 17 | 12 | KT99405122 | 7 | 2 | KT99432375 | 1 | 9 | KT99478087 | 27 | 11 |
| KT99333832 | 18 | 12 | KT99407008 | 8 | 11 | KT99434056 | 1 | 16 | KT99478196 | 25 | 1 |
| KT99333832 | 28 | 26 | KT99407410 | 7 | 13 | KT99434601 | 1 | 13 | KT99478389 | 25 | 4 |
| KT99333833 | 12 | 13 | KT99407540 | 7 | 6 | KT99434602 | 1 | 14 | VF01133287 | 4 | 23 |
| KT99333833 | 17 | 34 | KT99408914 | 7 | 5 | KT99434603 | 1 | 15 | VF06564448 | 4 | 41 |
| KT99333833 | 18 | 2 | KT99408930 | 4 | 9 | KT99444101 | 10 | 3 | VF06564448 | 19 | 8 |
| KT99333835 | 4 | 37 | KT99408934 | 7 | 26 | KT99444104 | 10 | 4 | VF16604765 | 4 | 45 |
| KT99333835 | 9 | 16 | KT99408939 | 4 | 10 | KT99450758 | 21 | 26 | VF16604765 | 8 | 6 |
| KT99333835 | 11 | 10 | KT99408943 | 7 | 25 | KT99452075 | 27 | 6 | VNB0722486 | 13 | 8 |
| KT99333835 | 13 | 24 | KT99408944 | 4 | 11 | KT99452096 | 19 | 7 | | | |
| KT99352040 | 22 | 14 | KT99408949 | 4 | 12 | KT99457134 | 15 | 24 | | | |



4336LR

KT 420.713 < Mach. ID <=

Kverneland Group Kerteminde AS
Taarupstrandvej 25
DK-5300 Kerteminde
Denmark
+45 65 19 19 00
+45 65 19 19 99

© Kverneland Group

All rights reserved. No parts of this book may be reproduced, stored in a database or retrieval system, or published in any form or in any way, electronically, mechanically, optically, by print, photo print, microfilm (including micro and macro fiche), or any other means, including all video and CD systems, without prior written permission from the publisher.

Print date: 2011-12-05

