

9542

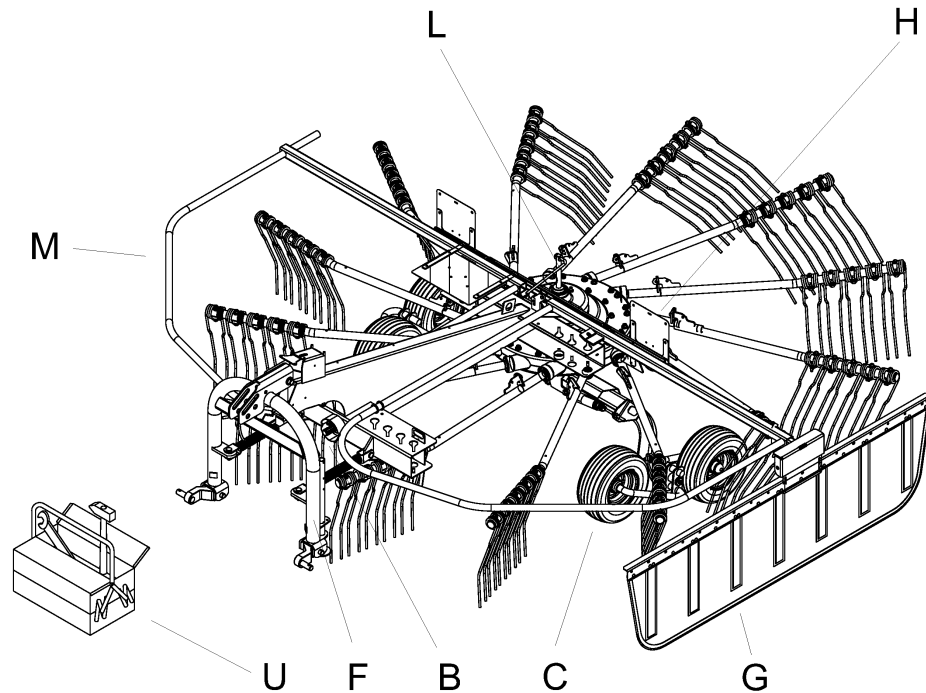
Spare Parts Manual

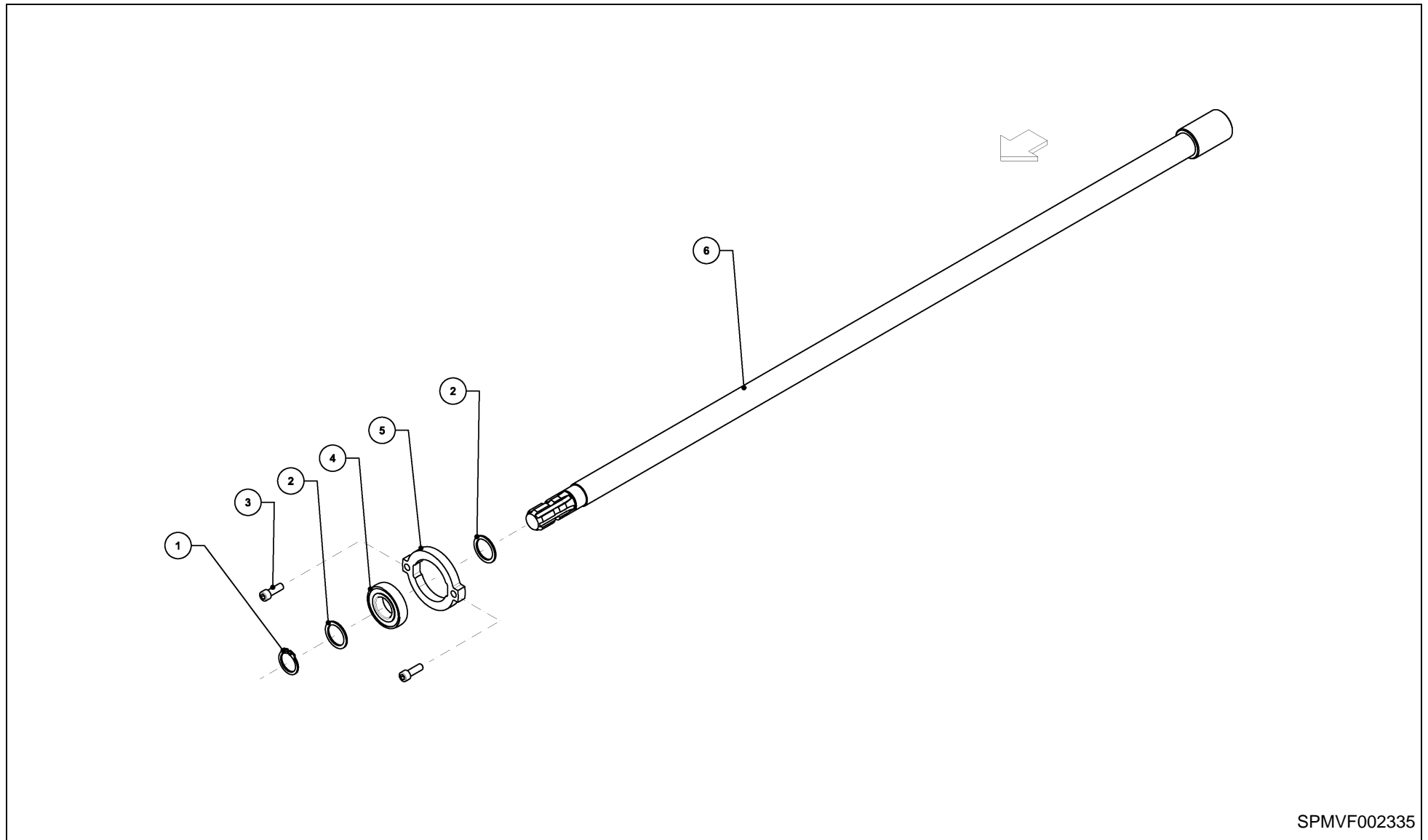
Article number: A131024000
Language: EN
Production year (from): 2015
Prod. Series nr (from): 6582
VF658210550 < Mach. ID <=

9542 / Table of Contents



PosNo.	Assembly group	Page
B	DRIVE SHAFT	1
B	DRIVE SHAFT	2
B	ROTOR GEAR BOX	3
C	TRANSPORT CHASSIS	4
C	TYRES 16 X 6,5 - 8 (4 PCS.)	5
C	SUPPORT WHEEL (OPTION)	6
C	TANDEM AXLE RIGID	7
C	TANDEM AXLE LEFT/RIGHT (OPTION)	8
F	3 POINT LINKAGE	9
F	PENDULUM SUPPORT	10
F	FRAME	11
F	DOCUMENT BOX	12
F	SETTING MECHANISM	13
G	SWATH FORMER	14
H	LIGHTING EU/OTHERS (OPTION EU/OTHERS)	15
L	TINE SUPPORT	16
L	ROTARY HUB WITH ARM	17
M	GUARD	18
M	WARNING PANEL (OPTION EU/OTHERS)	19
U	WARNING DECAL EU/OTHERS (EU/OTHERS VERSION)	20
U	DECAL + PAINT	21



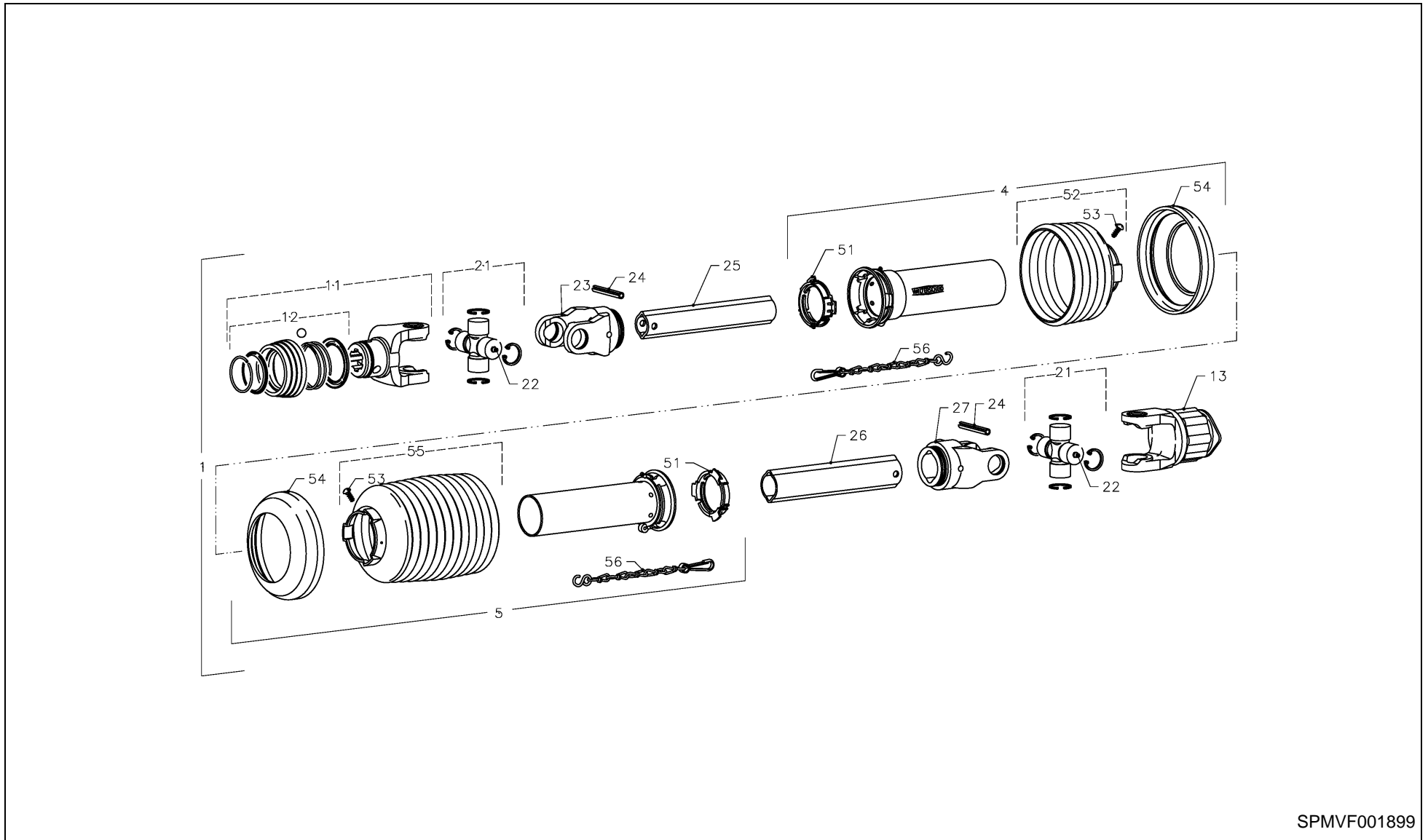


SPMVF002335

9542 / DRIVE SHAFT



PosNo.	Part No.	Qty.	Description	Remark
1	KG01099300	1	CIRCLIP-A 35 X 2.5	
2	KT99350525	2	WASHER 35X45X2,5 DIN988	
3	VF01397887	2	SCREW M10X30D912 8.8 A3C DIN267-27 COAT.	
4	VF06215767	1	BALL BEARING 207 NPPB	
5	VF16605848.61	1	FLANGE HOUSING FOR Y207	
6	VF16606959	1	DRIVE SHAFT WELD.L=1482 1 SLEEVE	

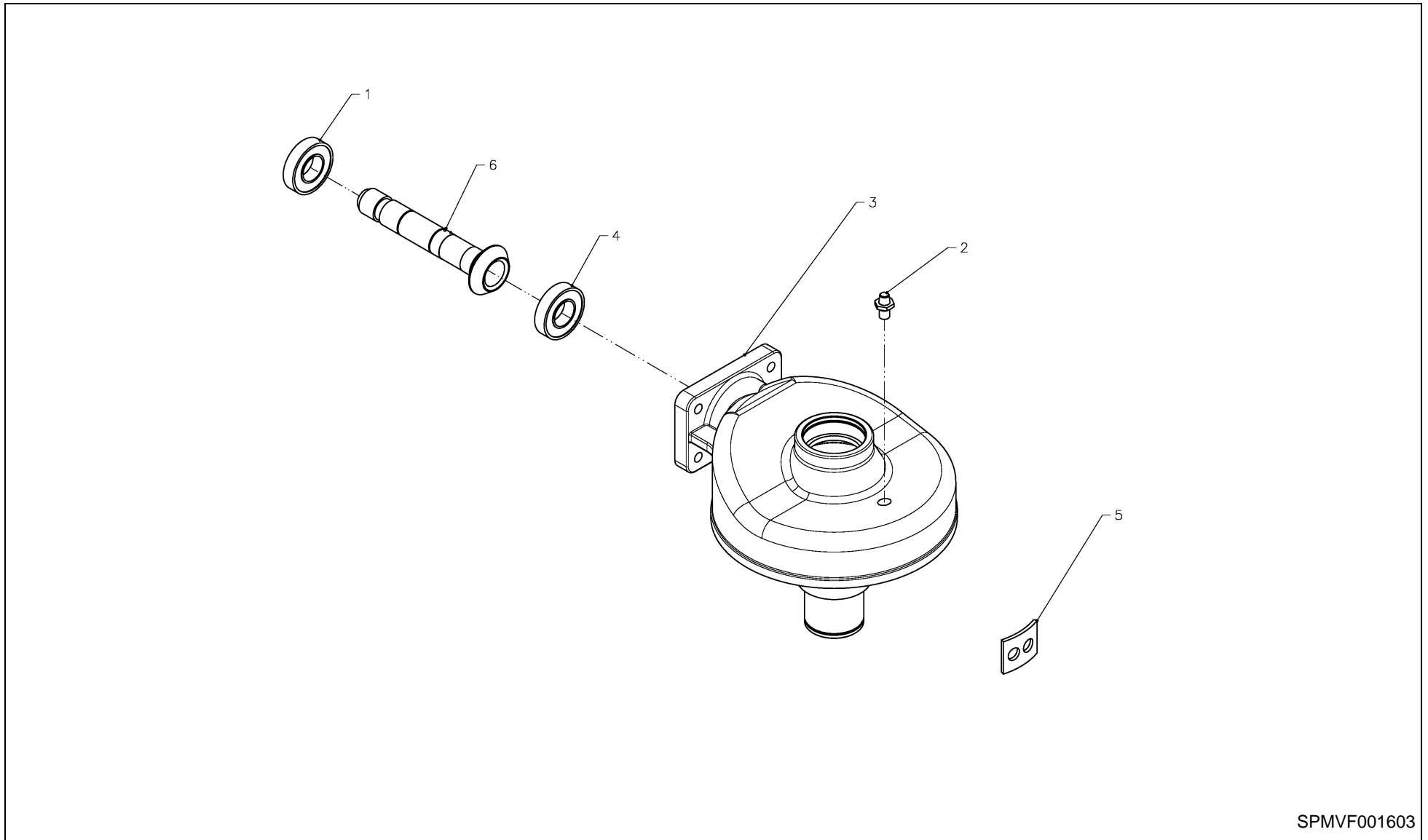


SPMVF001899

9542 / DRIVE SHAFT



PosNo.	Part No.	Qty.	Description	Remark
1	VF16660456.97	1	PTO SHAFT W 2200 SD15SW 810 K33B	
4	WA116227	1	OUTER GUARD HALF BLACK	
5	WA116966	1	INNER GUARD HALF BLACK	
11	VF16625101	1	FORK ASGE 2200 13+8" 6-PART	
12	VF16625102	1	LOCK ASE COMPLETELY	
13	A100011700	1	RADIAL PIN CLUTCH	
21	VF16624984	2	CROSS AND BEARING KIT COMPLETE 24X61	
22	WA153207	2	GREASE NIPPLE	
23	WA041065	1	INBOARD YOKE RG2200-OV	
24	VF01157382	2	ROLL PIN 10X65 EN ISO 8752 DACROM	
25	WA048757	1	PROFILED TUBE 0V-1000	
26	WA085732	1	PROFILED TUBE 1-1000	
27	VF16504073	1	INBOARD YOKE	
51	VF16504075	2	BEARING RING	
52	WA377242	1	PROTECTIVE CONE BLACK RP12	
53	KG00743163	2	TAPPING SCREW 4.2X9.5 4.8	
54	WA359471	2	SUPPORT RING	
55	WA155163	1	PROTECTIVE CONE RP13 BLACK	
56	KG02001500	2	SAFETY CHAIN L=400MM	

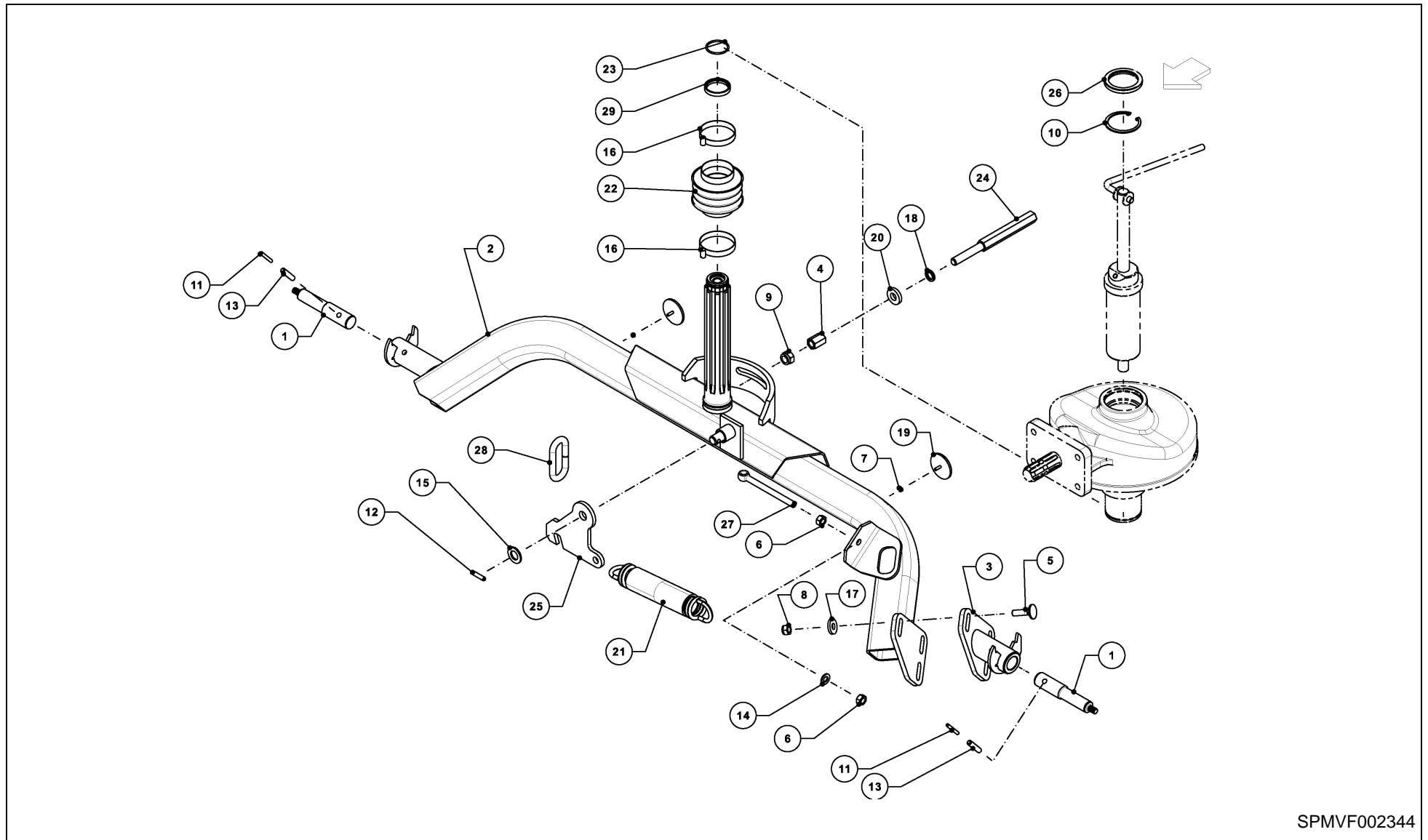


SPMVF001603

9542 / ROTOR GEAR BOX



PosNo.	Part No.	Qty.	Description	Remark
1	KG01381900	1	BALL BEARING 6207	
2	VF16608610	1	BREATHER VALVE R1+2ZO 0,02-0,04 BA	
3	VF16609222.94	1	RAKES GEAR WITH OIL I=8,3+1 RAL 3000	
4	VF16624955	1	TAP.ROLLER BEARING	
5	VF16624956	1	CAGE-SEGMENT	
6	VF16624954	1	DRIVE SHAFT Z=7	

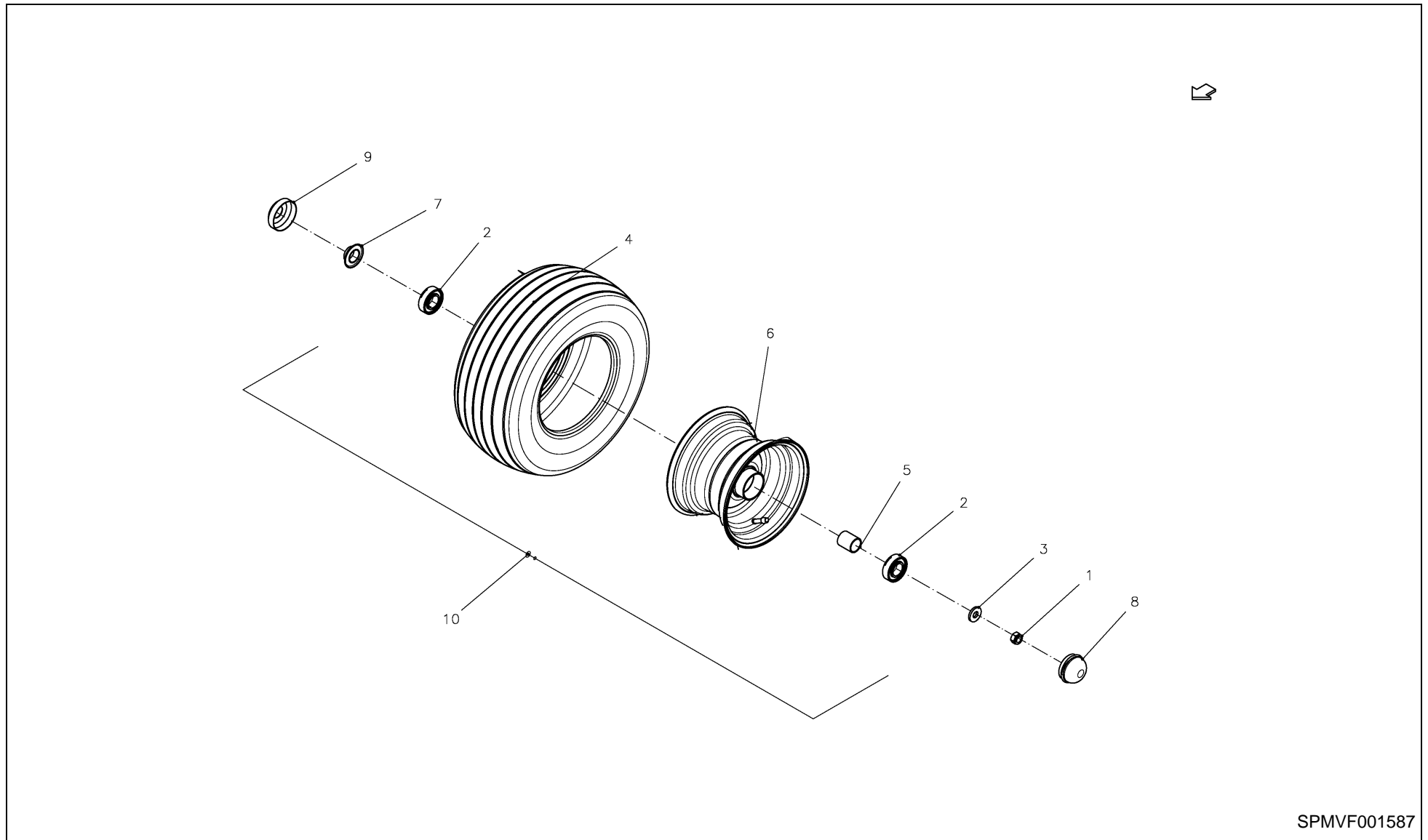


SPMVF002344

9542 / TRANSPORT CHASSIS



PosNo.	Part No.	Qty.	Description	Remark
1	A131346561	2	AXLE	
2	A131348094	1	AXLE WLDED 4,2 M	
3	A131349294	1	AXLE SUPPORT WELDED	
4	A131506661	1	ADJUSTING NUT	
5	KG00645161	3	CARRIAGE BOLT M12X45 8.8 VZ. DIN603	
6	KG01052161	2	HEX. NUT M12 8	
7	KG01067261	2	LOCK NUT M5	
8	KG01067761	3	LOCK NUT M12 8	
9	KG01067961	1	LOCK NUT M16 8	
10	KG01130500	1	CIRCLIP-B 72 X 2.5	
11	KG01189862	2	SPRING PIN SLOTTED 6X50 ZN ISO 8752	
12	KG01191762	1	TENSION PIN 8X36	
13	KG01194162	2	TENSION PIN 10X50	
14	KG01267561	1	WASHER M12	
15	KG01267961	1	WASHER M20	
16	VF01128273	2	HOSE CLAMP B12MM - SW7 (50-70) F1	
17	VF01142230	3	WASHER 13,0X32,0X5,0 A3C	
18	VF01397969	1	LOCKING DISC 17X25,4X3,7 NORDLOCK NL16	
19	VF06214033	2	REAR REFLECTOR A58 RED DIN 72616 M5	
20	VF06214219	1	WASHER 17,0X36,0X7,0 A3C	
21	VF06215595	1	TENSION SPRING 8,5+55+264 FE+ZN 5CC	
22	VF16508818	1	GUIETER ZYL. T59 BLACK	
23	VF16606325	1	SNAP RING A 45 DIN 7993	
24	VF16606379	1	ADJUSTING SCREW	
25	VF16622641.94	1	LEVER	
26	VF16622822	1	SEAL RING AS 62X 80X 9 NBR	
27	VF16622823	1	EYE BOLT DIN444 AM12X150X120-8.8 A3F	
28	VF16623204.61	1	CHAIN LINK 108X50	
29	VF16623280	1	RING	



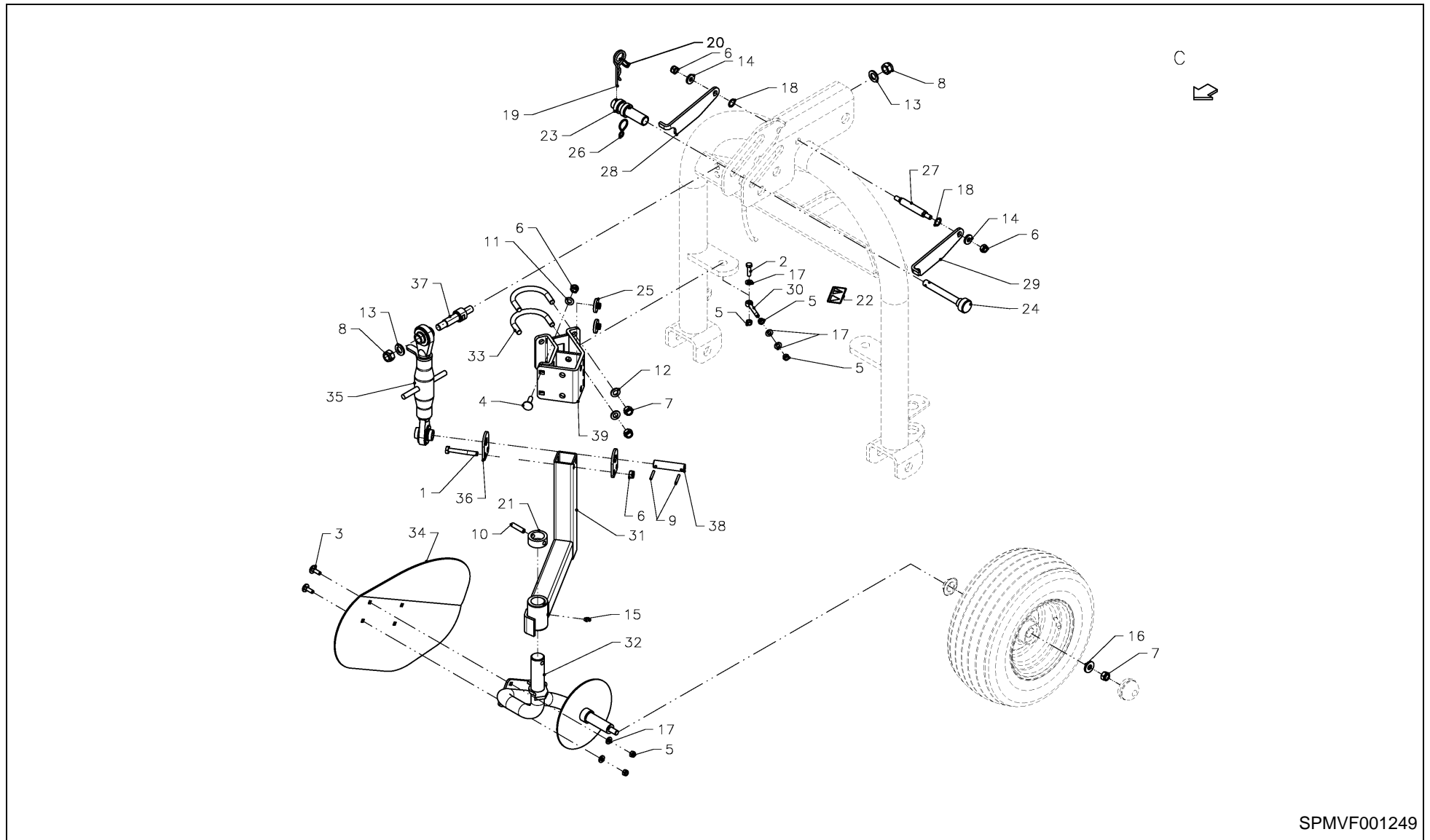
SPMVF001587

9542 / TYRES 16 X 6,5 - 8 (4 PCS.)



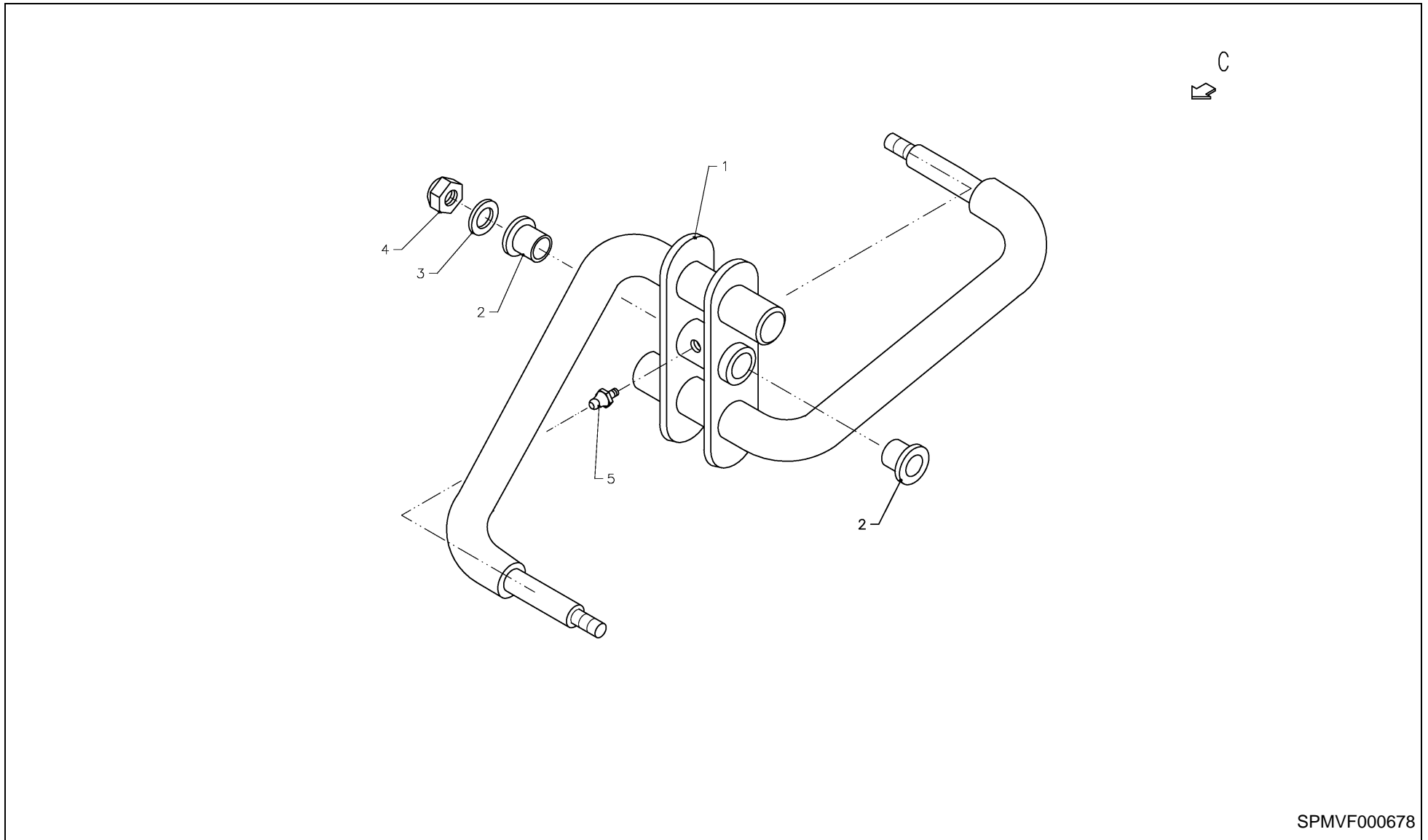
PosNo.	Part No.	Qty.	Description	Remark
1	KG01067761	1	LOCK NUT M12 8	
2	KG01379500	2	BALL BEARING 6205-RS	
3	VF06214206	1	WASHER 13X30X4 RM=580-680 MPA A2C	
4	A131653030	1	TIRE 16X6.50-8 10PR + TUBE	
5	VF06249879	1	SPACER	
6	VF06564451.98	1	RIM 5.50AX8 SILVER	
7	VF06567492	1	BUSH D25+31,5 L13,5	
8	VF06567493	1	WHEEL CAP D 52	
9	VF16622598	1	ANTI WRAPPING DEVICE MEFRO 15"+16" ZN	
10	VF06564096	1	CPL. WHEEL 16X6.50-8 TT 10PR SILVER RIM	

9542 / SUPPORT WHEEL (OPTION)



9542 / SUPPORT WHEEL (OPTION)

PosNo.	Part No.	Qty.	Description	Remark
1	KG00355961	2	HEX. BOLT M10X75 8.8	
2	KG00472261	1	ML2. SCREW M8X30 8.8	
3	KG00639161	4	CARRIAGE BOLT M8X25 8.8	
4	KG00641661	2	CARRIAGE BOLT M10X35 8.8	
5	KG01067561	7	LOCK NUT M8 8	
6	KG01067661	6	LOCK NUT M10 8	
7	KG01067761	5	LOCK NUT M12 8	
8	KG01067961	2	LOCK NUT M16 8	
9	KG01188162	2	TENSION PIN 5X36	
10	KG01194062	1	TENSION PIN 10X45	
11	KG01267461	2	WASHER M10	
12	KG01267561	4	WASHER M12	
13	KG01267761	2	WASHER M16	
14	KG01273661	2	WASHER DIN7349 M10 A3C	
15	VF01168225	1	GREASE NIPPLE H1 SFG 8X1	
16	VF06214206	1	WASHER 13X30X4 RM=580-680 MPA A2C	
17	VF06214246	7	WASHER 9X18X2 A3C	
18	VF06214287	2	WASHER	
19	VF06215672	1	SPRING CLIP 5 DIN11024	
20	VF06250872	1	RING	
20	VF01139119	1	CHAIN	
21	VF16608048	1	RING D48	
22	VF16608362	1	GUL ADV. FARE FOR AT FOD KLEMMES	
23	VF16609035	1	FLANGED BUSH	
24	VF16609037	1	PIN	
25	VF16609210	8	SLIDING PAD BIG	
26	VF16609227	1	S-HOOK	
27	VF16621254	1	PIN	
28	VF16621257.61	1	CONNECTING PLATE	
29	VF16621258.61	1	CONNECTING PLATE	
30	VF16646648.61	1	EYE BOLT DIN444 LA M8X60 8.8 A3C	
31	VF16648473.86	1	WHEEL AXLE WELDED	
32	VF16648511.86	1	AXLE WELDED	
33	VF16648522.61	2	YOKE SCREW	
34	VF16648554.86	1	GUARD PLATE	
35	VF16648785.61	1	TURNBUCKLE L360MM	
36	VF16648787.61	2	PLATE	
37	VF16648789.61	1	PIN	
38	VF16648795.61	1	PIN	
39	VF16649262.86	1	SUPPORT WELDED	



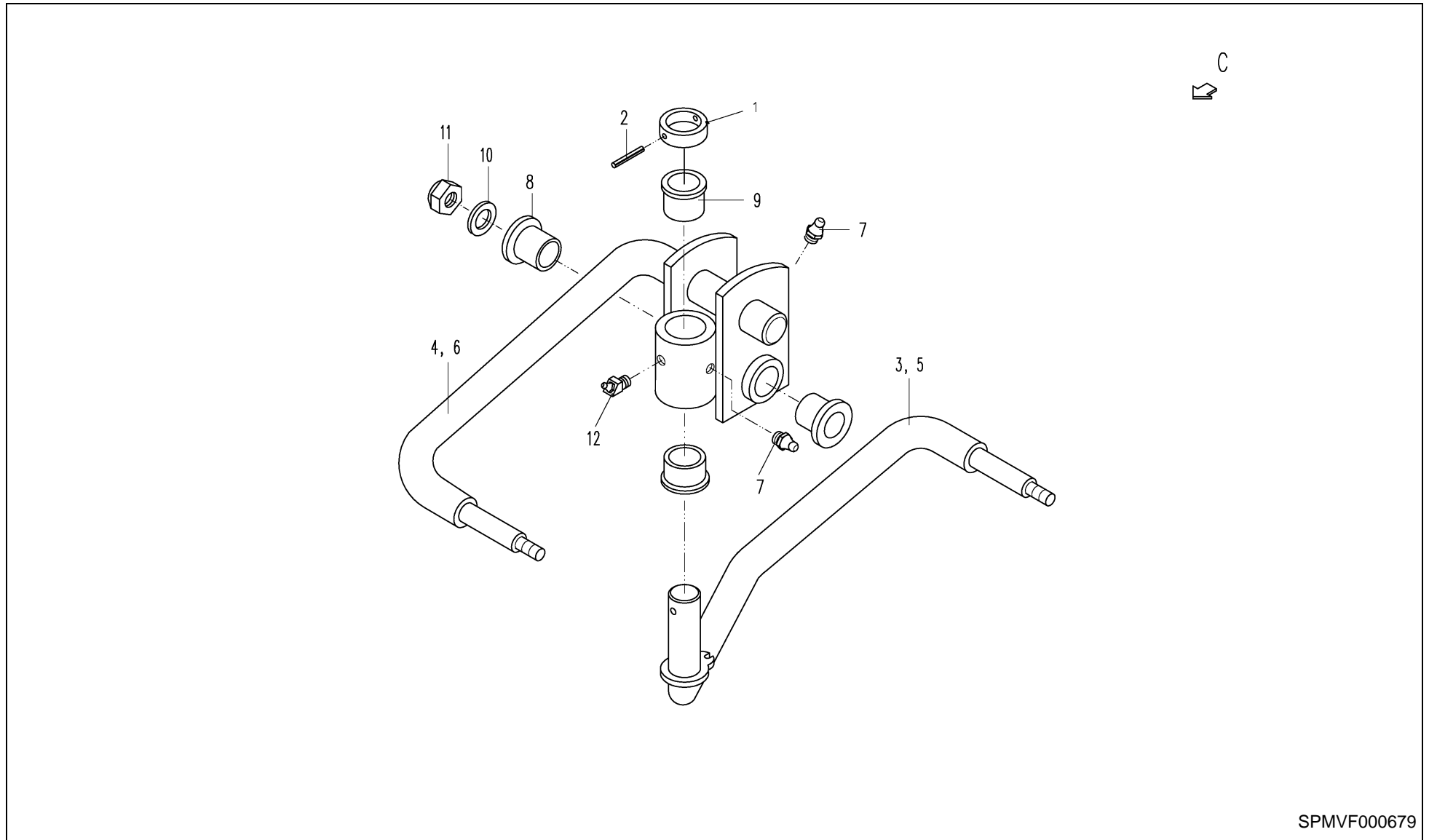
SPMVF000678

9542 / TANDEM AXLE RIGID



PosNo.	Part No.	Qty.	Description	Remark
1	VF16607033.94	2	TANDEM AXLE LEFT+RIGHT	
2	VF16623149	4	FLANGED BUSH WFM-2528-34S WH. LOW-MAINT.	
3	VF06214210	2	WASHER 13,0X40,0X5,0 A3C	
4	KG01067761	2	LOCK NUT M12 8	
5	VF01120693	2	GREASE FITTING H1 AM 8X1 DIN 71412	

9542 / TANDEM AXLE LEFT/RIGHT (OPTION)



SPMVF000679

9542 / TANDEM AXLE LEFT/RIGHT (OPTION)

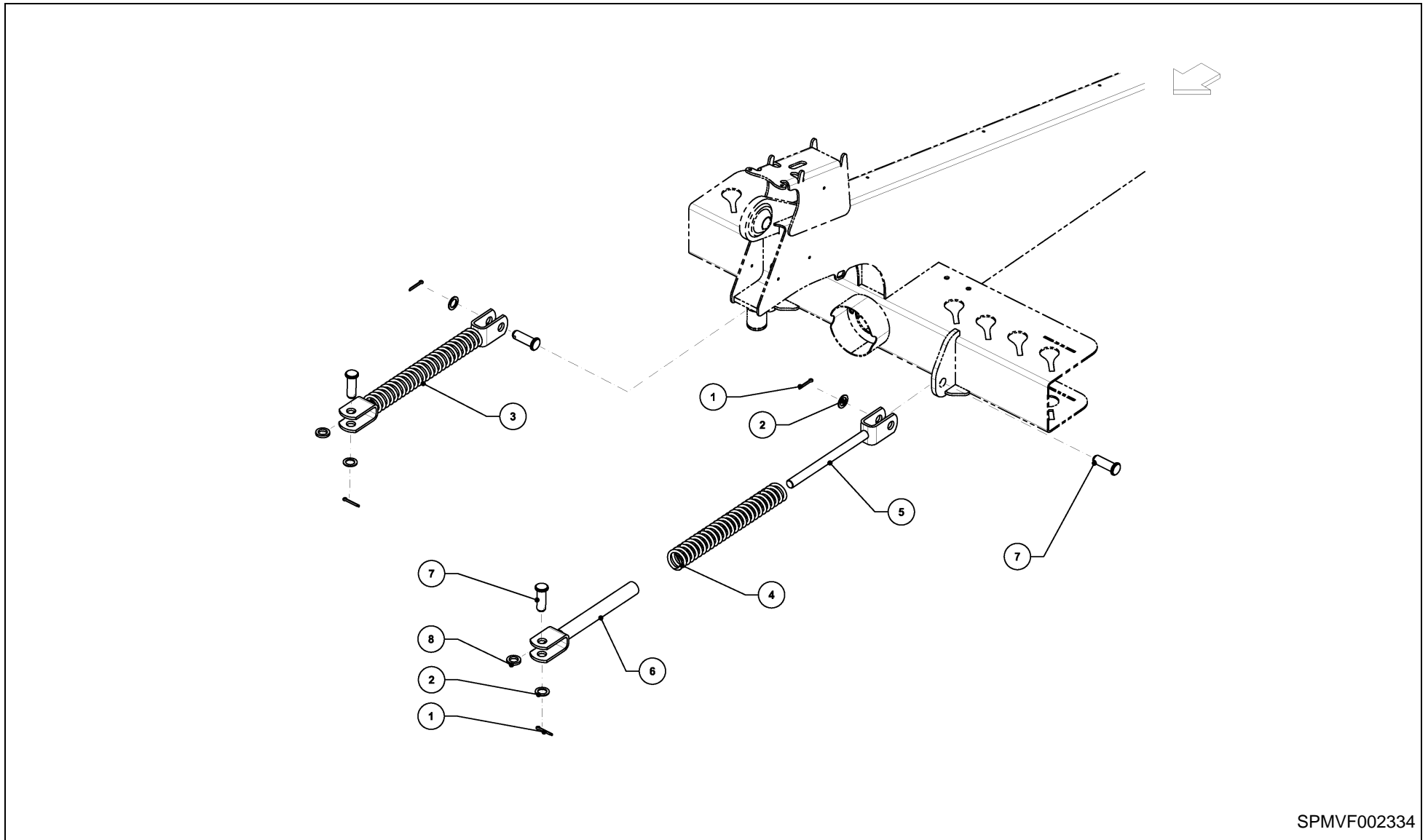


PosNo.	Part No.	Qty.	Description	Remark
1	VF16608048	2	RING D48	
2	KG01194062	2	TENSION PIN 10X45	
3	VF16608151.94	1	AXLE BACK/LEFT	
4	VF16608021.94	1	AXLE IN FRONT/LEFT	
5	VF16608023.94	1	AXLE BACK/RIGHT	
6	VF16608049.94	1	AXLE IN FRONT/LEFT	
7	VF01120693	4	GREASE FITTING H1 AM 8X1 DIN 71412	
8	VF16623149	4	FLANGED BUSH WFM-2528-34S WH. LOW-MAINT.	
9	VF16608058	4	FLANGED BUSH 34X38+50X35	
10	VF06214210	2	WASHER 13,0X40,0X5,0 A3C	
11	KG01067761	2	LOCK NUT M12 8	
12	KG02000600	2	GREASE NIPPLE M8X1X135 DEG	

9542 / 3 POINT LINKAGE



PosNo.	Part No.	Qty.	Description	Remark
1	A131030394	1	THREE-POINT LINKAGE WELDED	
2	KG01191962	2	TENSION PIN 8X45	
3	KG01192462	1	TENSION PIN 8X100	
4	KG01253761	4	SPLIT PIN 6.3X40 ST	
5	VF01141355	1	SPRING CLIP 5 A3C	
6	VF06214232	2	WASHER 29X42X5 A3C DIN 1441	
7	VF06214313	4	WASHER 26X38X2 A3C	
8	VF06564448	1	CORD L= 240 COLOUR BLACK	
9	VF16605162.94	2	FORKPIECES CPL.	
10	VF16605459	2	BOLT	
11	VF16605465.94	1	PARKING STAND WELD.	
12	VF16605467	1	BOLT 28X118X100	
13	VF16606585	1	CAP PVC BLACK	
14	VF16620418	1	FIXING PIN MONT.A3C KAT. II	
15	VF16620418	1	FIXING PIN MONT.A3C KAT. II	

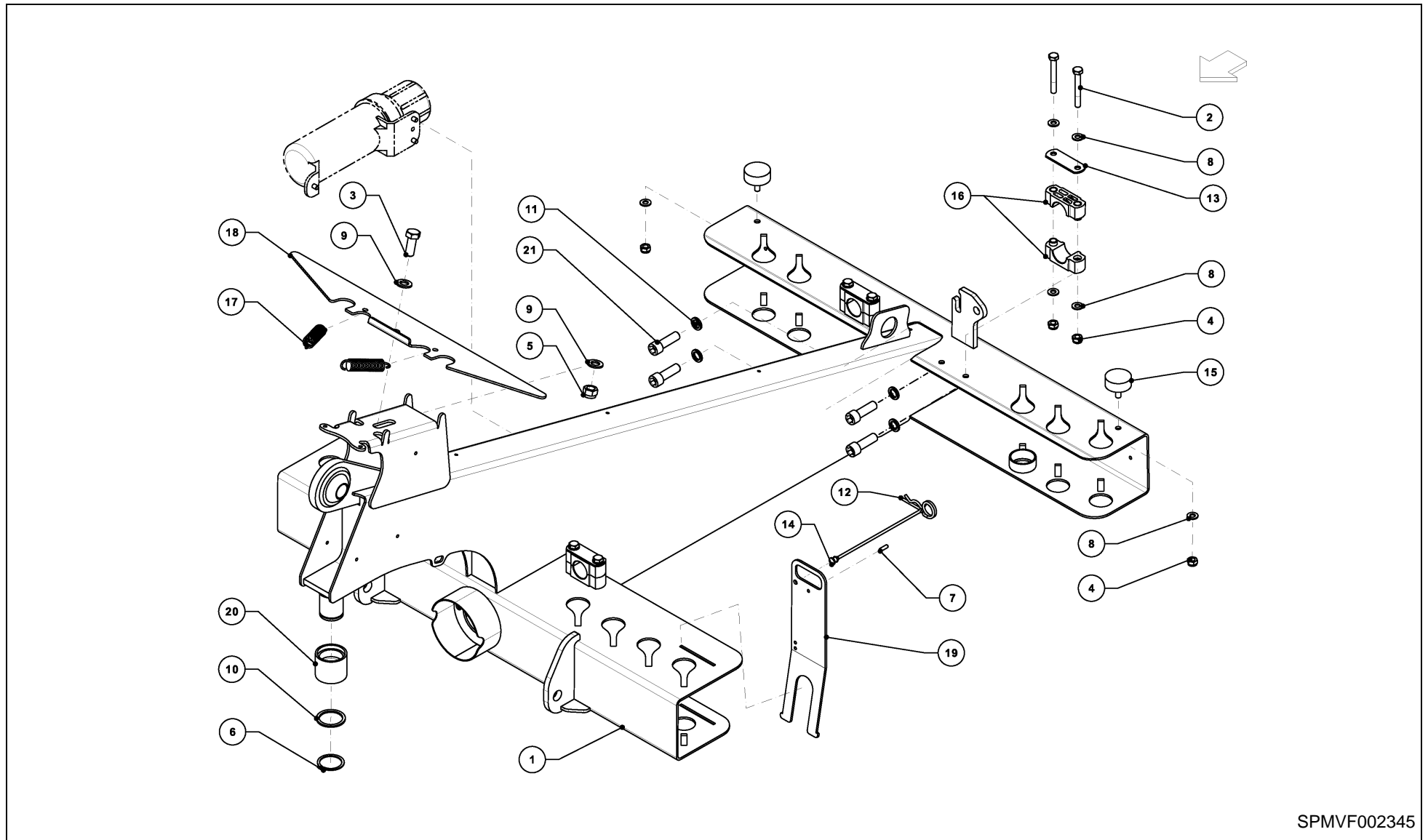


SPMVF002334

9542 / PENDULUM SUPPORT



PosNo.	Part No.	Qty.	Description	Remark
1	KG01252661	4	SPLIT PIN 5X32 ST	
2	VF06214229	4	WASHER 21X32X2 A3C	
3	VF16609060	2	BALANCING LINKAGE CPL.	
4	VF16606084	2	COMPRESSION SPRING	
5	VF16608664	2	BAR	
6	VF16608667	2	OUTER PIPE WELDED	
7	VF16609190.61	4	BOLT DIN1444 20H11X60	
8	VF16623352	2	WASHER 21X32X5 A2C	

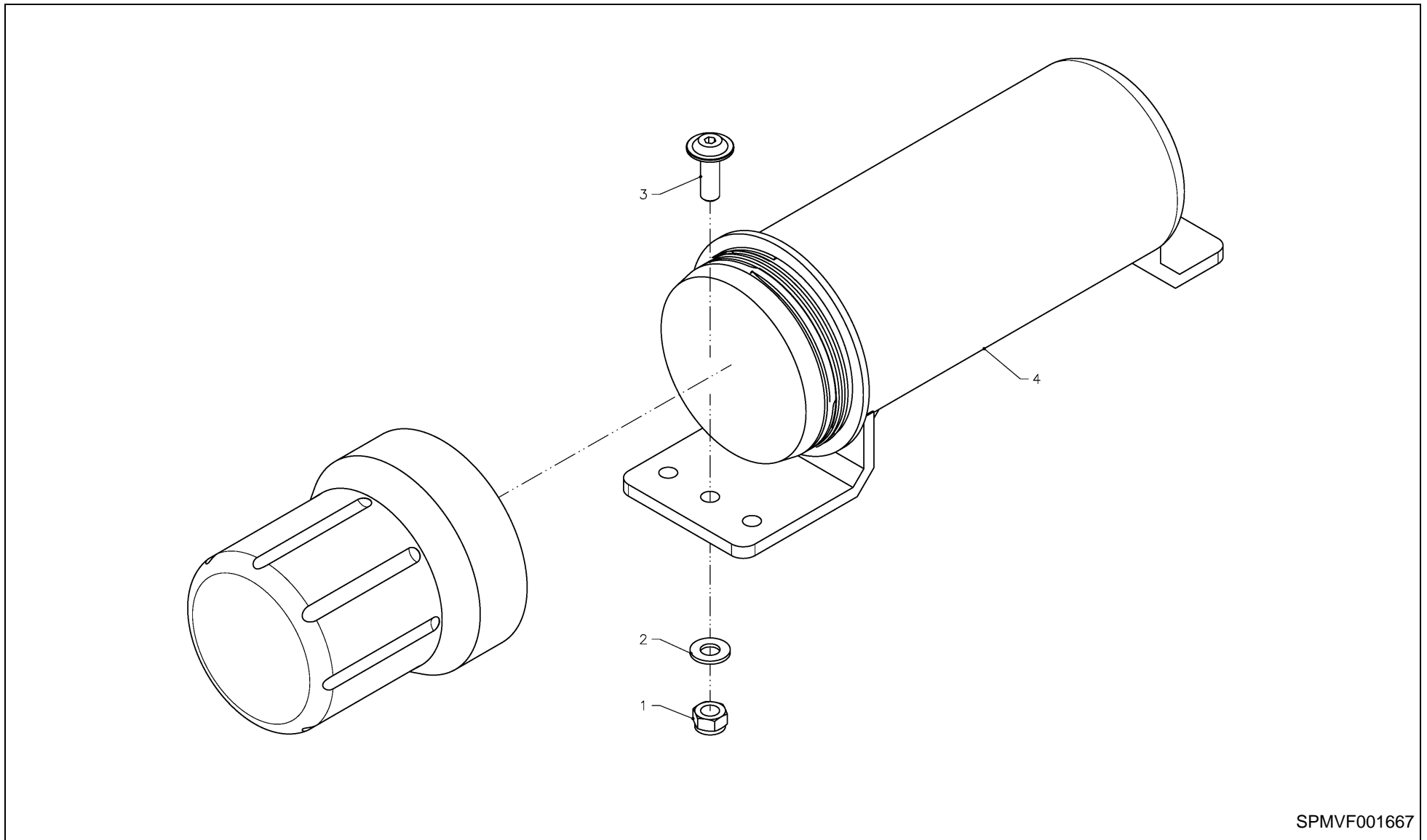


SPMVF002345

9542 / FRAME



PosNo.	Part No.	Qty.	Description	Remark
1	A131015594	1	SUPPORT ARM WELDED	
2	KG00356061	8	HEX. BOLT M10X80 8.8	
3	KG00480261	1	HEX. SCREW M16X40 8.8	
4	KG01067661	10	LOCK NUT M10 8	
5	KG01067961	1	LOCK NUT M16 8	
6	KG01110100	1	CIRCLIP-A 45 X 1.75	
7	KG01189162	1	TENSION PIN 6X20	
8	KG01267461	18	WASHER M10	
9	VF01107117	2	WASHER	
10	VF01137130	1	SHIM 45X55X3 DIN988-2	
11	VF01397969	4	LOCKING DISC 17X25,4X3,7 NORDLOCK NL16	
12	VF06215672	1	SPRING CLIP 5 DIN11024	
13	VF06231409	4	BRACKET L= 90 BD. 30X 3X 90	
14	VF06564448	1	CORD L= 240 COLOUR BLACK	
15	VF16603972	2	RUBBER BUFFER 50+20 M10X28	
16	VF16604905	8	TERMINAL RING HALF COML. D36.4	
17	VF16608011	2	TENSION SP. 2,8+17,2+95,8 95,8 FE+ZN 5CC	
18	VF16608012.94	1	BOW LOCKING DEVICE	
19	VF16608306.94	1	ROTARY SECURITY	
20	VF16622849.61	1	SIDE ROLLER 4,6+4,2 M RAKE	
21	VF16642929	4	CYL. SCREW M16X 50 12.9 D912 DAC	

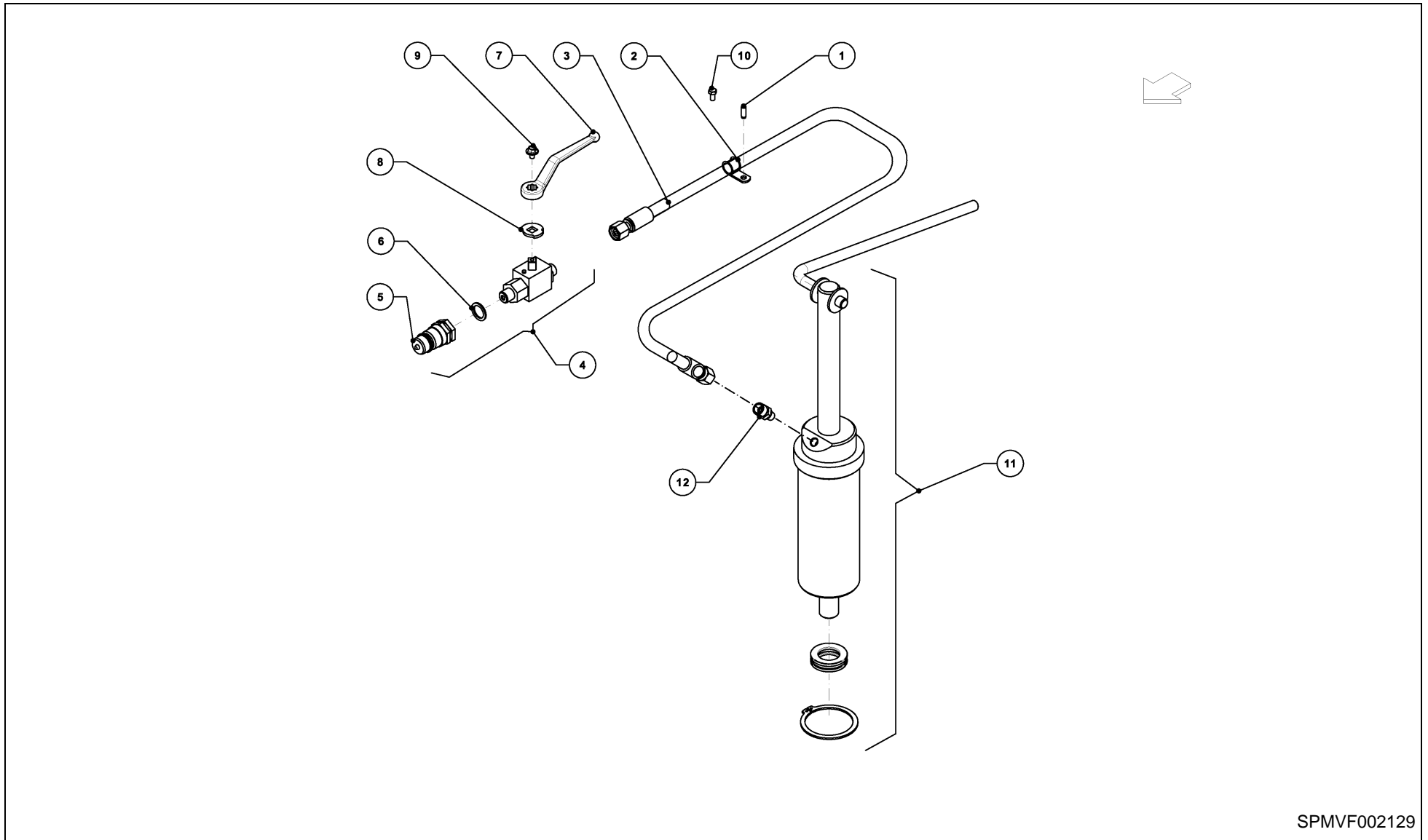


SPMVF001667

9542 / DOCUMENT BOX



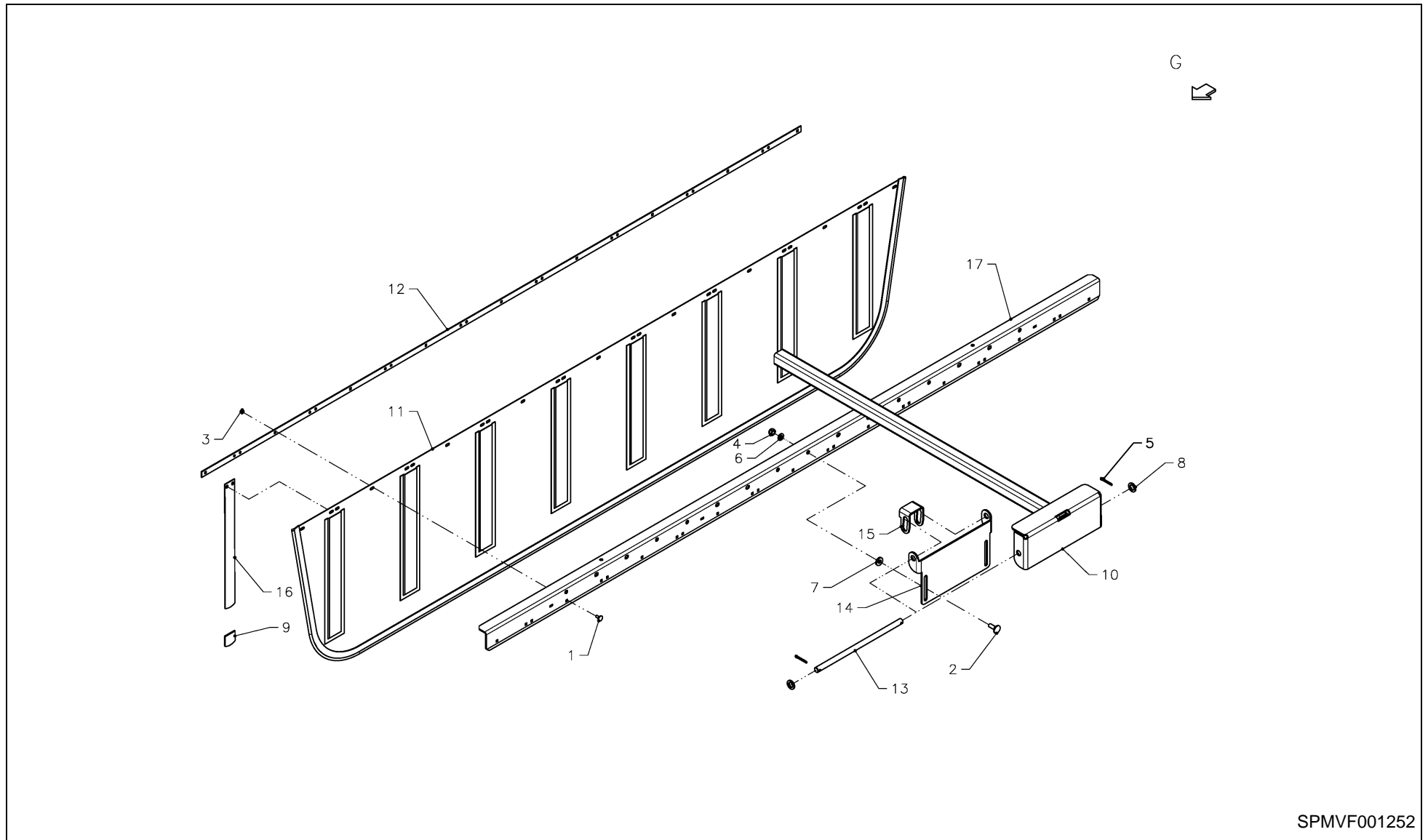
PosNo.	Part No.	Qty.	Description	Remark
1	KG01067561	2	LOCK NUT M8 8	
2	KG01267361	2	WASHER M8	
3	VF01142856	2	TRUSS-HEAD SCREW M 8X25 109A3C DIN7380-2	
4	VF16660164	1	DOCUMENT BOX D=89 MM	



9542 / SETTING MECHANISM



PosNo.	Part No.	Qty.	Description	Remark
1	KT99338030	1	BLANK RIVET Ø4,8-16 FAR DIN 7337 (AL/ST)	
2	VF01211882	1	PIPE CLIP RSGU1 15X15	
3	VF16602455	1	HYDR. HOSE 0BODN6X3300 DKOL-8L+DKOL-8L	
4	VF16604641	1	BALL VALVE W. CONNECTOR NW10	
5	VF16604726	1	SAFETY PIN FOR PISTE BALL VALVE 10L	
6	VF16604727	1	SEALING WASHER	
7	VF16604728	1	SHIFT LEVER	
8	VF16604729	1	SHIFT WASHER	
9	VF16604730	1	RIPP SCREW M 5X 8	
10	VF16606240	1	SELF TAPPING SCREW M5X10 A3C D7500-D	
11	VF16622564.61	1	HYDROLIFT CYLINDER	
11	VF16642869	1	SEALING SET BÜTER	
12	VF16623279	1	THREADED UNION XGE08LR1/8 A3C	

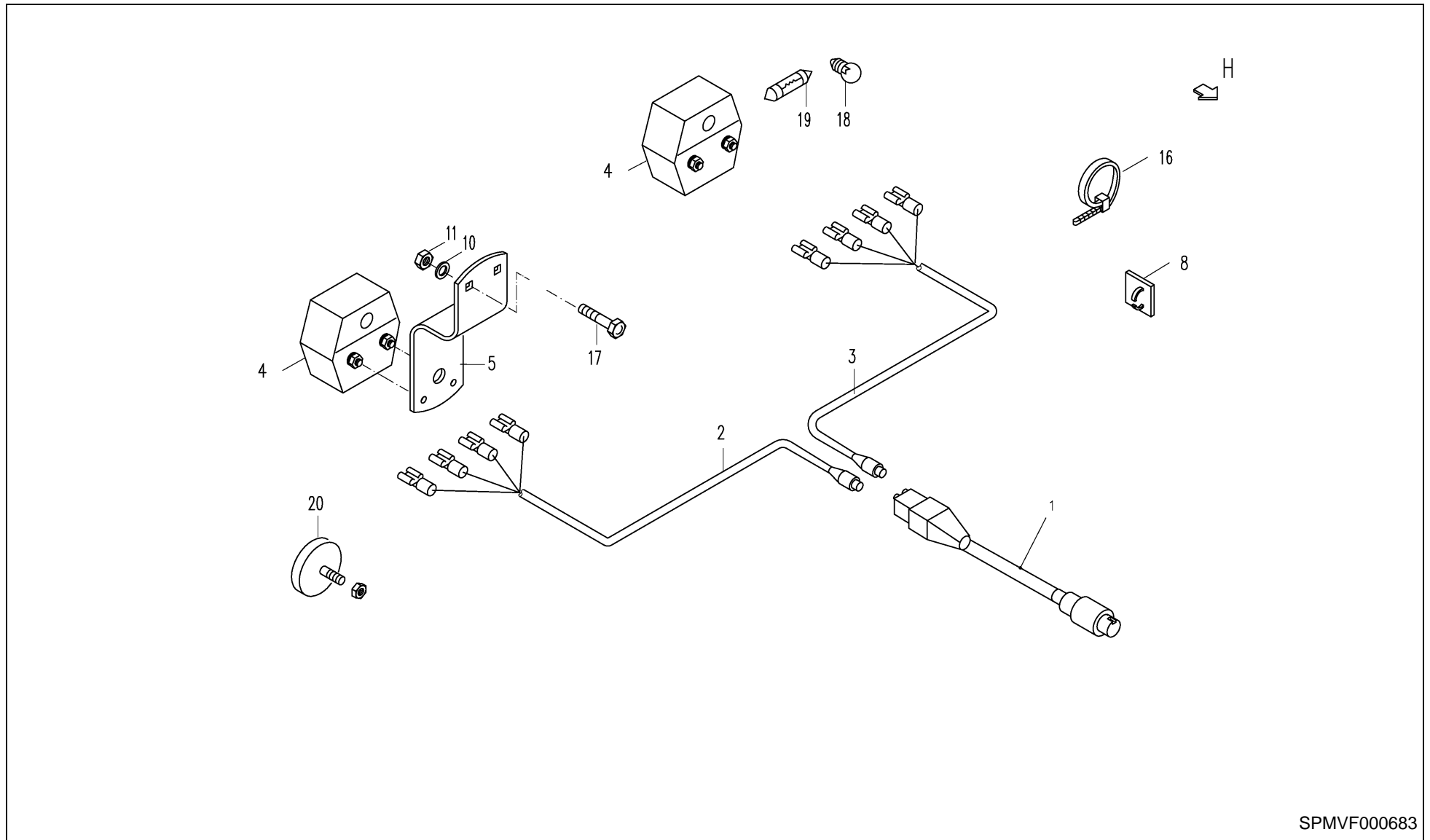


SPMVF001252

9542 / SWATH FORMER



PosNo.	Part No.	Qty.	Description	Remark
1	KG00637061	25	CARRIAGE BOLT M6X16 8.8	
2	KG00641561	2	CARRIAGE BOLT M10X30 8.8	
3	KG01067361	25	LOCK NUT M6 8	
4	KG01067661	2	LOCK NUT M10 8	
5	KG01252661	2	SPLIT PIN 5X32 ST	
6	KG01267461	8	WASHER M10	
7	KG01273661	2	WASHER DIN7349 M10 A3C	
8	KG01267761	2	WASHER M16	
9	VF06565179	2	PROTECTIVE CAP 40X1.5	
10	VF16605524.86	1	TELESCOPIC ARM WELD.	
11	VF16647847	1	SWATH BOARD 8 BAGS RAL6016 KV LOGO	
12	VF16605856.61	1	FASTENING RAIL L=2478	
13	VF16606078	1	BOLT	
14	VF16606079.86	1	HOLDER SWATH FORMER	
15	VF16608627.86	1	STOPPING YOKE FOR SWATH FORMER	
16	VF16609031	8	ROD L= 450 BD.40X1.5	
17	VF16647795.94	1	STRIP L=2536	

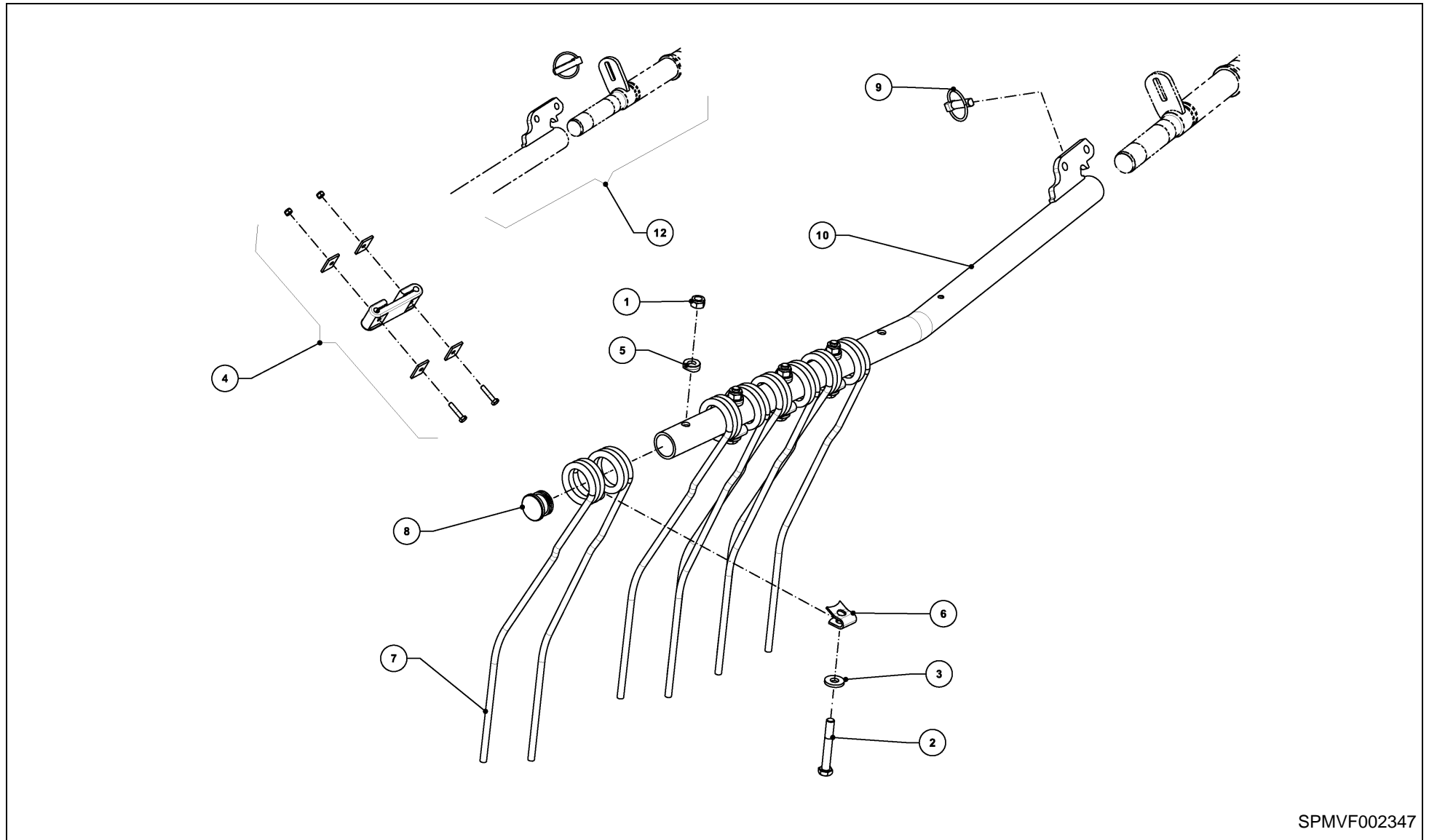


SPMVF000683

9542 / LIGHTING EU/OTHERS (OPTION EU/OTHERS)



PosNo.	Part No.	Qty.	Description	Remark
1	VF16644644	1	LEADING LINE 6-POL.5000 LG	
2	VF16644642	1	CABLE RIGHT	
3	VF16644643	1	CABLE LEFT	
4	VF16600345	2	TAIL LIGHT CPL.	
4	VF16641492	2	GLASS	
5	VF16605913.61	2	HOLDER	
8	VF16613283	15	CABLE RETAINER	
11	KG01067561	4	LOCK NUT M8 8	
10	VF06214195	4	WASHER 9,0X17,0X2,5 A3C	
16	VF06216479	20	CABLE TIE 150X3,6 SW SNX 2-35	
16	VF06216480	2	CABLE TIE 368X4,8 SW SNX 3-100	
17	KG00639061	4	CARRIAGE BOLT M8X20 8.8	
18	VF01102550	2	TABULAR LAMP12V 21W D72601	
19	VF01121409	2	BULP 12V 10W DIN72601	
20	VF06214033	2	REAR REFLECTOR A58 RED DIN 72616 M5	



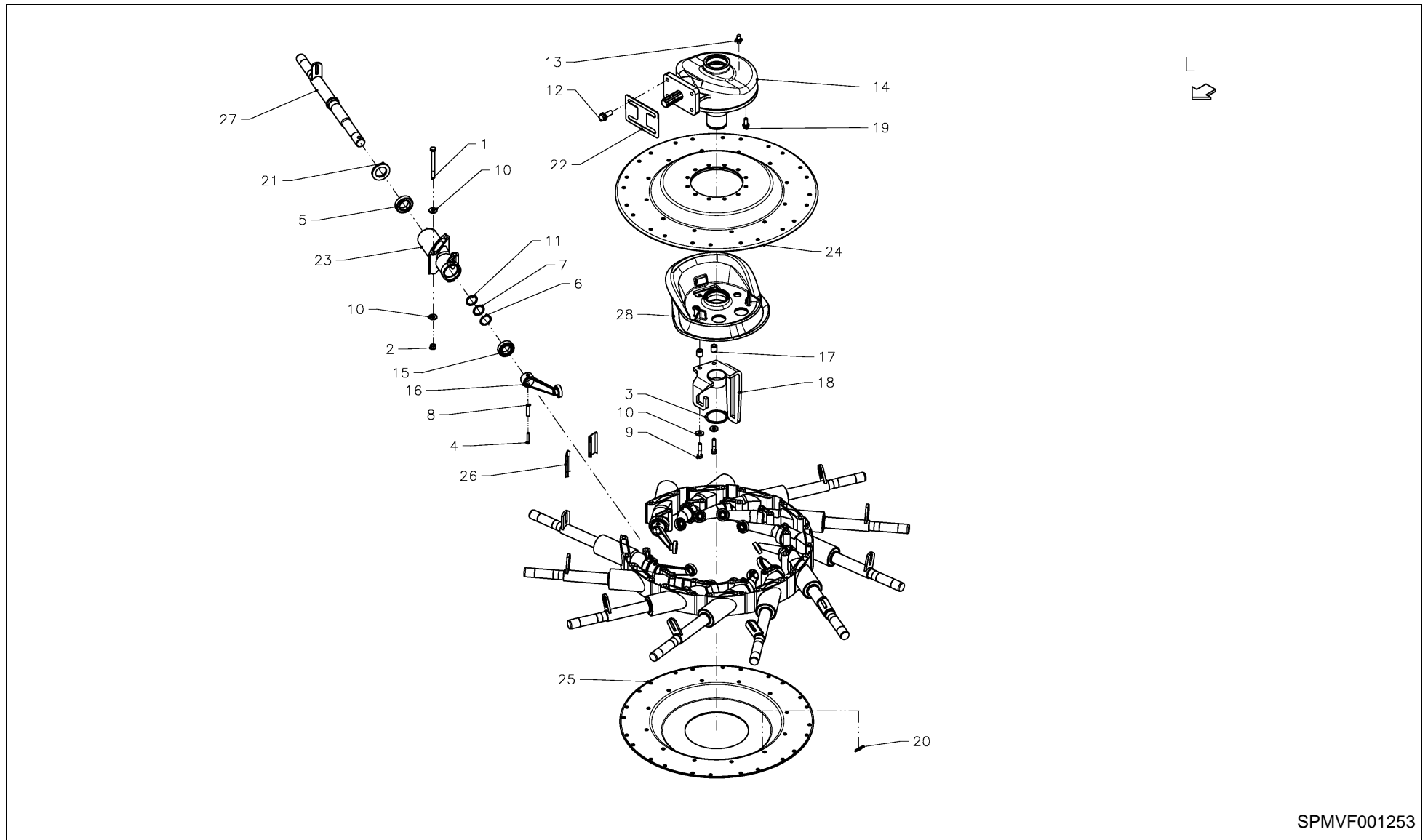
SPMVF002347

9542 / TINE SUPPORT



PosNo.	Part No.	Qty.	Description	Remark
1	KG01067761	48	LOCK NUT M12 8	
2	VF01111540	48	HEX.BOLT	
3	VF06214206	48	WASHER 13X30X4 RM=580-680 MPA A2C	
4	VF06564420	48	TINE SAFETY DEVICE	
5	VF16606401	48	SHIM	
6	VF16624823.61	48	SHIM 10 MM RAKE TINE	
7	VF16642899.88	48	SPRING TINE, DUO, 10 MM, RAKE	
8	VF16645227	12	PLUG GLZ 1,25" (42.4X3.25) D=35	
9	VF16660258.61	12	LYNCH PIN D12X45	
10	VF16661043.94	12	TINE ARM WELD. CCW ROTATING	
12	VF16660491	1	REPAIR KIT TIME ARM	

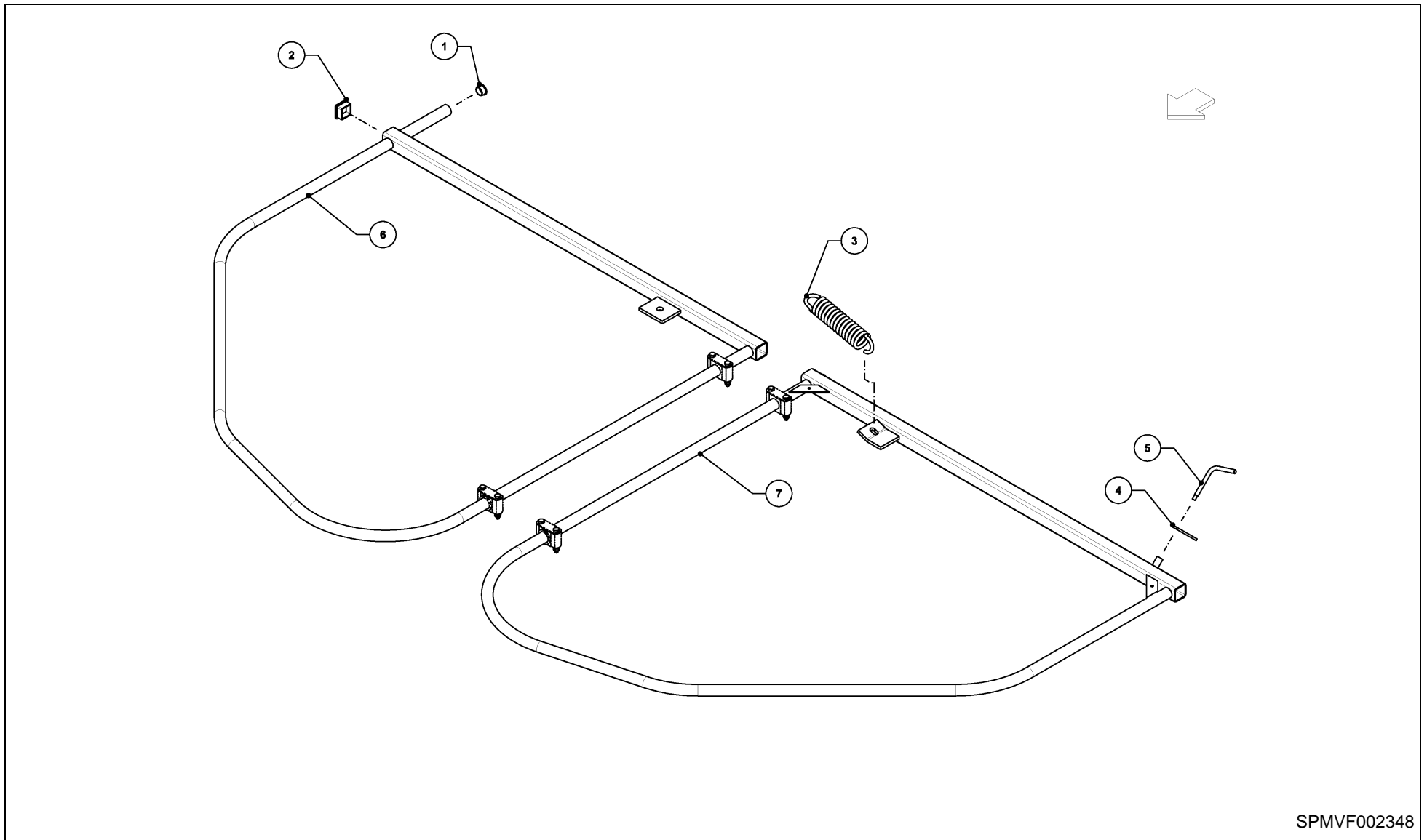
9542 / ROTARY HUB WITH ARM



SPMVF001253

9542 / ROTARY HUB WITH ARM

PosNo.	Part No.	Qty.	Description	Remark
1	KG00337961	36	HEX. BOLT M12X130 10.9	
2	KG01068961	36	LOCK NUT M12 10	
3	KG01111900	1	CIRCLIP-A 75 X 2.5	
4	KG01192062	12	TENSION PIN 8X50	
5	KG01462100	12	BALL BEARING 6008-2RS C3	
6	VF01137726	12	SPACER 35X45X0,2	
7	VF01137727	12	SPACER 35X45X0,3 D988	
8	VF01157402	12	ROLL PIN 13X50 EN ISO 8752 DACROM	
9	VF06209229	2	SCREW M12X55D931 10.9 A3C DIN267-27 COAT	
10	VF06214206	74	WASHER 13X30X4 RM=580-680 MPA A2C	
11	VF06214485	12	SPACER 35X45X0,5	
12	VF16642929	4	CYL. SCREW M16X 50 12.9 D912 DAC	
13	VF16608610	1	BREATHER VALVE R1+2ZO 0,02-0,04 BA	
14	VF16609222.86	1	RAKES GEAR WITH OIL I=8,3+1 RAL 7021	
15	KG01461600	12	BALL BEARING 6007-2RS C3	
16	VF16609578	12	CONTROL ROLLER COMPLETE	
17	VF16621177.61	2	SPACER	
18	VF16622646.94	1	CONTROL LEVER TURNING LEFT WELDED	
19	VF16624828	12	RIPP SCREW M12X30-100 DIN267-27 COATED	
20	VF16625005	1	BLANK RIVET 3549 TYP 2 NR BLACK	
21	VF16640591	12	SEAL RING 71X45X7 VULKOCCELL	
22	VF16644800.61	1	PLATE	OPTION
23	VF16648385	12	CLAMP PIPE ALU. RIGHT+LEFT	
24	VF16648387.94	1	ROTOR COVER-PLATE LE. ROTAT.12ARMS WEL.	
25	VF16648388.94	1	ROTOR BOTTOM-PLATE LE. ROTAT. 12ARM	
26	VF16648389	12	COVERPLATE 12ARM	
27	VF16649211.94	12	ROTARY ARM SHAFT WELDED	
28	VF16648798.86	1	DISC CAM 140DEG.	



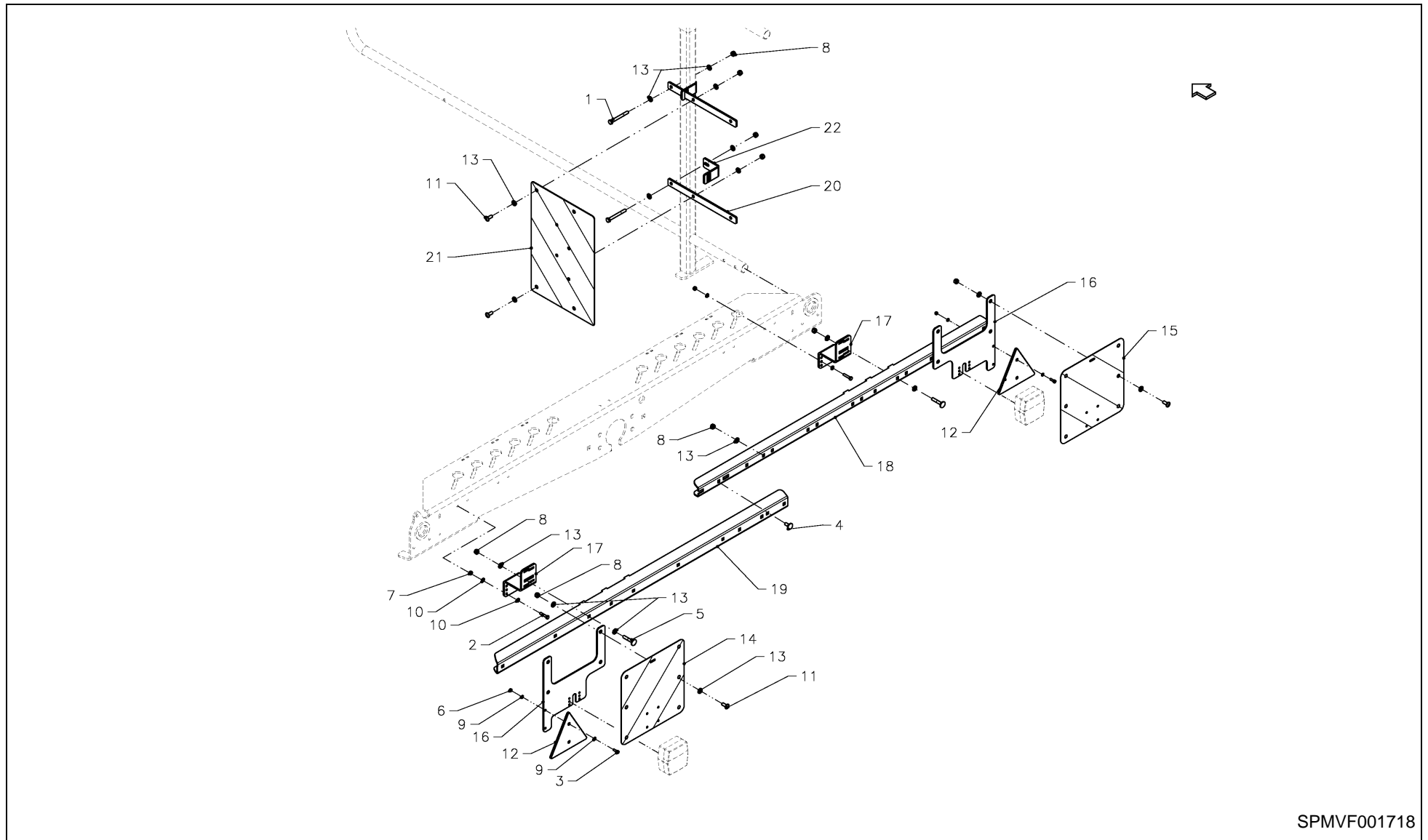
SPMVF002348

9542 / GUARD



PosNo.	Part No.	Qty.	Description	Remark
1	VF01097625	1	PLUG GPN300 F241	
2	VF01397868	1	SQUARE PLUG GPN260 Q50504	
3	VF16605541	1	TENSION SPRING 10+51+235,5	
4	VF16606477	1	THREADED BRACKET	
5	VF16606478.61	1	CAPSTAN-HEAD SCREW	
6	VF16606919.94	1	PROTECTIVE YOKE RIGHT WELDED	
7	VF16609020.94	1	PROTECTIVE YOKE LEFT WELDED	

9542 / WARNING PANEL (OPTION EU/OTHERS)

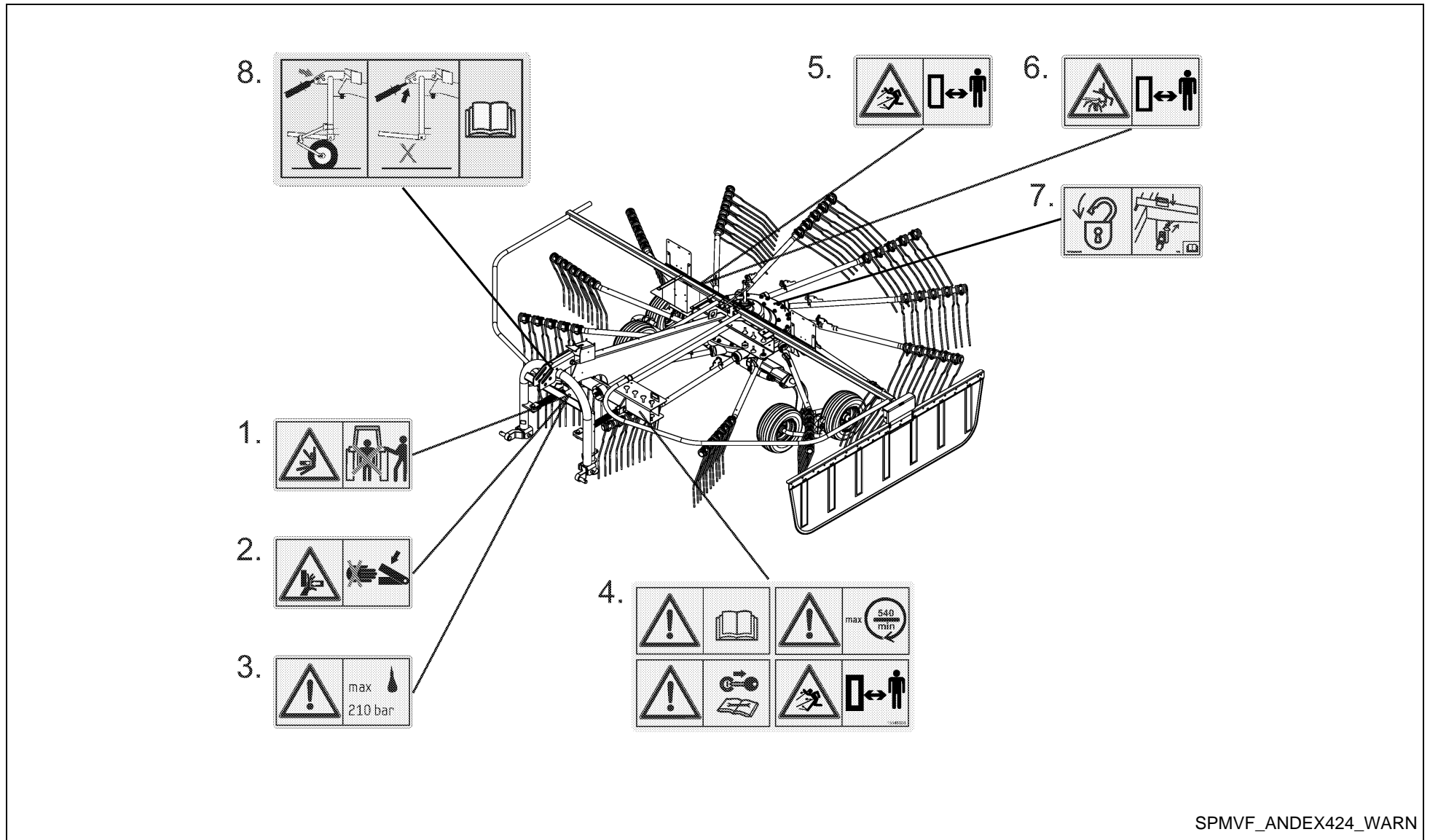


SPMVF001718

9542 / WARNING PANEL (OPTION EU/OTHERS)



PosNo.	Part No.	Qty.	Description	Remark
1	KG00353961	2	HEX. BOLT M8X75 8.8	
2	KG00469261	4	HEX. SCREW M6X30 8.8	
3	KG00542161	2	CHEESE HEAD SCREW M5X16 8.8	
4	KG00639061	4	CARRIAGE BOLT M8X20 8.8	
5	KG00639561	2	CARRIAGE BOLT M8X45 8.8	
6	KG01067261	2	LOCK NUT M5	
7	KG01067361	4	LOCK NUT M6 8	
8	KG01067561	20	LOCK NUT M8 8	
9	KG01267161	4	WASHER M5	
10	KG01267261	8	WASHER M6	
11	VF01142565	12	TRUSS-HEAD SCREW M 8X20 109A3C	
12	VF06214042	2	TRIANGLE REAR-REFLECTOR WGF 4.3870	
13	VF06214195	20	WASHER 9,0X17,0X2,5 A3C	
14	VF16645752	1	WARNING PLATE 282X282 (LH)	
15	VF16645753	1	WARNING PLATE 282X282 (RH)	
16	VF16645754.61	2	SUPPORT FOR WARNING PLATE	
17	VF16645755.61	2	SUPPORT	
18	VF16645778.61	1	PROFILE (TELESCOPIC)	
19	VF16645779.61	1	PROFILE (TELESCOPIC)	
20	VF16645782.61	2	PLATE	
21	VF16645784	1	WARNING PLATE 423X282 DOUBLE SIDE COATED	
22	VF16645854.61	2	CLAMP	

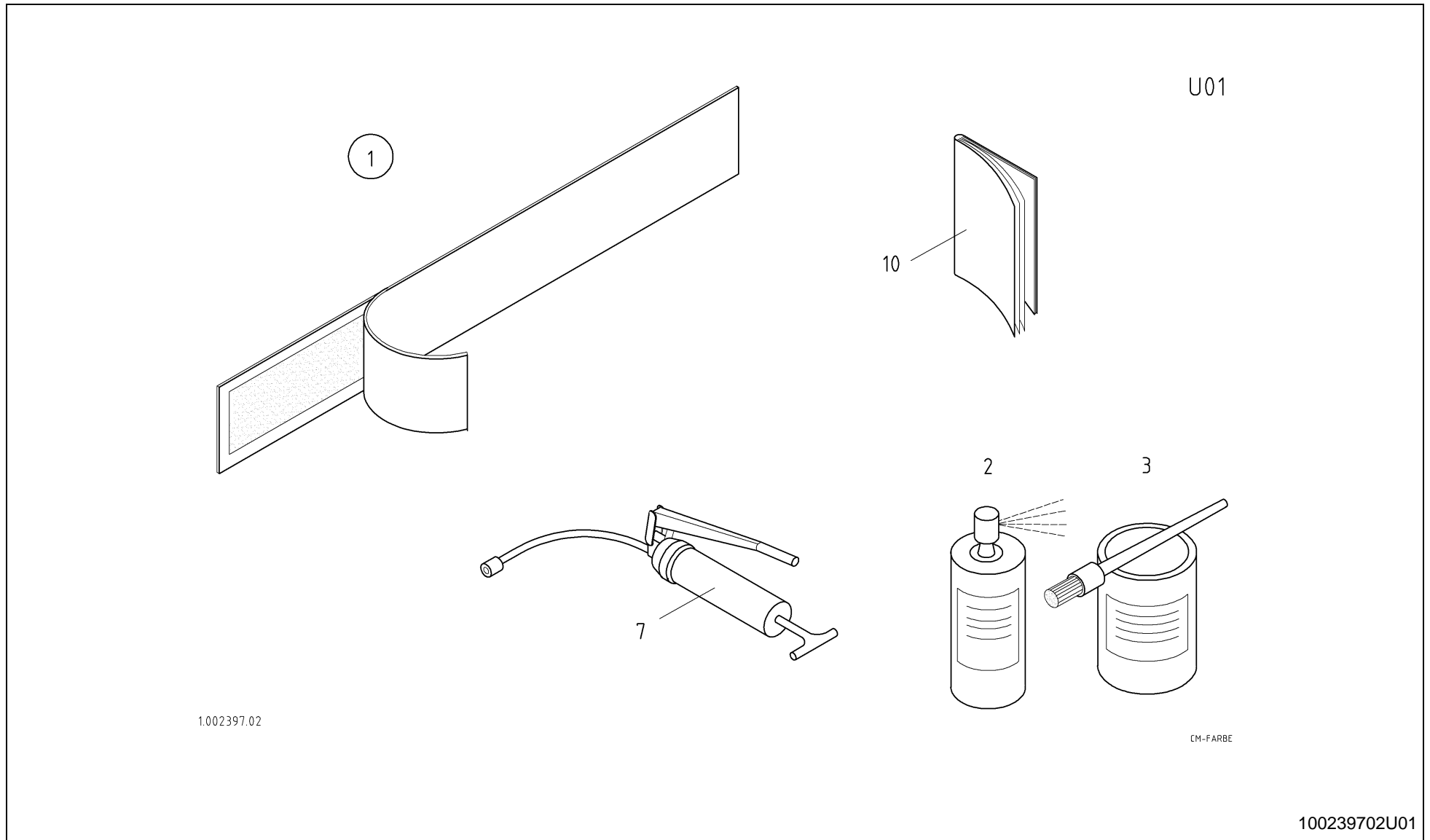


SPMVF_ANDEX424_WARN

9542 / WARNING DECAL EU/OTHERS (EU/OTHERS VERSION)



PosNo.	Part No.	Qty.	Description	Remark
1	VF16601351	1	WARNING DECAL DISTANCE FROM TRACTOR	
2	VF16613719	1	WARNING DECAL RISK OF CRUSHING	
3	VF16613042	1	WARNING DECAL MAX. 210BAR	
4	VF16648006	1	WARNING DECAL-COMBINATION 4 FOLD	
5	VF16644221	1	WARNING DECAL CAUTION FLYING OBJECTS	
6	VF16646945	1	WARNING DECAL DISTANCE ROTOR	
7	VF16660345	1	WARNING DECAL LOCK POSITION	
8	VF16607040	1	ADVISE STICKER GUIDING WHEEL	



9542 / DECAL + PAINT



PosNo.	Part No.	Qty.	Description	Remark
1	VF16649245	1	DECAL SET ANDEX 9542	
2	VF02953361	1	SPRAY 400 ML CARMINE RED RAL 3002	
2	VF16609646.88	1	GREEN PAINT-SPRAY	
2	VF16609647.94	1	RED PAINT-SPRAY	
3	VF02953360	1	CAN 1 LITER CARMINE RED RAL 3002	
3	VF16609648.88	1	PAINT KVLD. GREEN	
3	VF16609649.94	1	PAINT KVERNEL. RED	
7	VF06215179		GREASE GUN	
7	VF02953321		LUBRICANT	
10	A131023900		OPM 9542/9546	EU/OTHERS

9542 / Part No Index



Part No.	Page	Pos No	Part No.	Page	Pos No	Part No.	Page	Pos No	Part No.	Page	Pos No
A100011700	2	13	KG01067561	15	11	KG01267261	19	10	VF01142230	4	17
A131015594	11	1	KG01067561	19	8	KG01267361	12	2	VF01142565	19	11
A131023900	21	10	KG01067661	6	6	KG01267461	6	11	VF01142856	12	3
A131030394	9	1	KG01067661	11	4	KG01267461	11	8	VF01157382	2	24
A131346561	4	1	KG01067661	14	4	KG01267461	14	6	VF01157402	17	8
A131348094	4	2	KG01067761	4	8	KG01267561	4	14	VF01168225	6	15
A131349294	4	3	KG01067761	5	1	KG01267561	6	12	VF01211882	13	2
A131506661	4	4	KG01067761	6	7	KG01267761	6	13	VF01397868	18	2
A131653030	5	4	KG01067761	7	4	KG01267761	14	8	VF01397887	1	3
KG00337961	17	1	KG01067761	8	11	KG01267961	4	15	VF01397969	4	18
KG00353961	19	1	KG01067761	16	1	KG01273661	6	14	VF01397969	11	11
KG00355961	6	1	KG01067961	4	9	KG01273661	14	7	VF02953321	21	7
KG00356061	11	2	KG01067961	6	8	KG01379500	5	2	VF02953360	21	3
KG00469261	19	2	KG01067961	11	5	KG01381900	3	1	VF02953361	21	2
KG00472261	6	2	KG01068961	17	2	KG01461600	17	15	VF06209229	17	9
KG00480261	11	3	KG01099300	1	1	KG01462100	17	5	VF06214033	4	19
KG00542161	19	3	KG01110100	11	6	KG02000600	8	12	VF06214033	15	20
KG00637061	14	1	KG01111900	17	3	KG02001500	2	56	VF06214042	19	12
KG00639061	15	17	KG01130500	4	10	KT99338030	13	1	VF06214195	15	10
KG00639061	19	4	KG01188162	6	9	KT99350525	1	2	VF06214195	19	13
KG00639161	6	3	KG01189162	11	7	VF01097625	18	1	VF06214206	5	3
KG00639561	19	5	KG01189862	4	11	VF01102550	15	18	VF06214206	6	16
KG00641561	14	2	KG01191762	4	12	VF01107117	11	9	VF06214206	16	3
KG00641661	6	4	KG01191962	9	2	VF01111540	16	2	VF06214206	17	10
KG00645161	4	5	KG01192062	17	4	VF01120693	7	5	VF06214210	7	3
KG00743163	2	53	KG01192462	9	3	VF01120693	8	7	VF06214210	8	10
KG01052161	4	6	KG01194062	6	10	VF01121409	15	19	VF06214219	4	20
KG01067261	4	7	KG01194062	8	2	VF01128273	4	16	VF06214229	10	2
KG01067261	19	6	KG01194162	4	13	VF01137130	11	10	VF06214232	9	6
KG01067361	14	3	KG01252661	10	1	VF01137726	17	6	VF06214246	6	17
KG01067361	19	7	KG01252661	14	5	VF01137727	17	7	VF06214287	6	18
KG01067561	6	5	KG01253761	9	4	VF01139119	6	20	VF06214313	9	7
KG01067561	12	1	KG01267161	19	9	VF01141355	9	5	VF06214485	17	11

9542 / Part No Index



Part No.	Page	Pos No	Part No.	Page	Pos No	Part No.	Page	Pos No	Part No.	Page	Pos No
VF06215179	21	7	VF16605459	9	10	VF16608610	3	2	VF16622822	4	26
VF06215595	4	21	VF16605465.94	9	11	VF16608610	17	13	VF16622823	4	27
VF06215672	6	19	VF16605467	9	12	VF16608627.86	14	15	VF16622849.61	11	20
VF06215672	11	12	VF16605524.86	14	10	VF16608664	10	5	VF16623149	7	2
VF06215767	1	4	VF16605541	18	3	VF16608667	10	6	VF16623149	8	8
VF06216479	15	16	VF16605848.61	1	5	VF16609020.94	18	7	VF16623204.61	4	28
VF06216480	15	16	VF16605856.61	14	12	VF16609031	14	16	VF16623279	13	12
VF06231409	11	13	VF16605913.61	15	5	VF16609035	6	23	VF16623280	4	29
VF06249879	5	5	VF16606078	14	13	VF16609037	6	24	VF16623352	10	8
VF06250872	6	20	VF16606079.86	14	14	VF16609060	10	3	VF16624823.61	16	6
VF06564096	5	10	VF16606084	10	4	VF16609190.61	10	7	VF16624828	17	19
VF06564420	16	4	VF16606240	13	10	VF16609210	6	25	VF16624954	3	6
VF06564448	9	8	VF16606325	4	23	VF16609222.86	17	14	VF16624955	3	4
VF06564448	11	14	VF16606379	4	24	VF16609222.94	3	3	VF16624956	3	5
VF06564451.98	5	6	VF16606401	16	5	VF16609227	6	26	VF16624984	2	21
VF06565179	14	9	VF16606477	18	4	VF16609578	17	16	VF16625005	17	20
VF06567492	5	7	VF16606478.61	18	5	VF16609646.88	21	2	VF16625101	2	11
VF06567493	5	8	VF16606585	9	13	VF16609647.94	21	2	VF16625102	2	12
VF16504073	2	27	VF16606919.94	18	6	VF16609648.88	21	3	VF16640591	17	21
VF16504075	2	51	VF16606959	1	6	VF16609649.94	21	3	VF16641492	15	4
VF16508818	4	22	VF16607033.94	7	1	VF16613042	20	3	VF16642869	13	11
VF16600345	15	4	VF16607040	20	8	VF16613283	15	8	VF16642899.88	16	7
VF16601351	20	1	VF16608011	11	17	VF16613719	20	2	VF16642929	11	21
VF16602455	13	3	VF16608012.94	11	18	VF16620418	9	14	VF16642929	17	12
VF16603972	11	15	VF16608021.94	8	4	VF16620418	9	15	VF16644221	20	5
VF16604641	13	4	VF16608023.94	8	5	VF16621177.61	17	17	VF16644642	15	2
VF16604726	13	5	VF16608048	6	21	VF16621254	6	27	VF16644643	15	3
VF16604727	13	6	VF16608048	8	1	VF16621257.61	6	28	VF16644644	15	1
VF16604728	13	7	VF16608049.94	8	6	VF16621258.61	6	29	VF16644800.61	17	22
VF16604729	13	8	VF16608058	8	9	VF16622564.61	13	11	VF16645227	16	8
VF16604730	13	9	VF16608151.94	8	3	VF16622598	5	9	VF16645752	19	14
VF16604905	11	16	VF16608306.94	11	19	VF16622641.94	4	25	VF16645753	19	15
VF16605162.94	9	9	VF16608362	6	22	VF16622646.94	17	18	VF16645754.61	19	16

9542 / Part No Index



Part No.	Page	Pos No	Part No.	Page	Pos No
VF16645755.61	19	17	WA041065	2	23
VF16645778.61	19	18	WA048757	2	25
VF16645779.61	19	19	WA085732	2	26
VF16645782.61	19	20	WA116227	2	4
VF16645784	19	21	WA116966	2	5
VF16645854.61	19	22	WA153207	2	22
VF16646648.61	6	30	WA155163	2	55
VF16646945	20	6	WA359471	2	54
VF16647795.94	14	17	WA377242	2	52
VF16647847	14	11			
VF16648006	20	4			
VF16648385	17	23			
VF16648387.94	17	24			
VF16648388.94	17	25			
VF16648389	17	26			
VF16648473.86	6	31			
VF16648511.86	6	32			
VF16648522.61	6	33			
VF16648554.86	6	34			
VF16648785.61	6	35			
VF16648787.61	6	36			
VF16648789.61	6	37			
VF16648795.61	6	38			
VF16648798.86	17	28			
VF16649211.94	17	27			
VF16649245	21	1			
VF16649262.86	6	39			
VF16660164	12	4			
VF16660258.61	16	9			
VF16660345	20	7			
VF16660456.97	2	1			
VF16660491	16	12			
VF16661043.94	16	10			



9542

VF658210550 < Mach. ID <=

Kverneland Group Kerteminde AS
Taarupstrandvej 25
DK-5300 Kerteminde
Denmark
+45 65 191900
+45 65 191998

© Kverneland Group

All rights reserved. No parts of this book may be reproduced, stored in a database or retrieval system, or published in any form or in any way, electronically, mechanically, optically, by print, photo print, microfilm (including micro and macro fiche), or any other means, including all video and CD systems, without prior written permission from the publisher.

Print date: 2016-04-25

