



## A-DRILL

### Spare Parts Manual

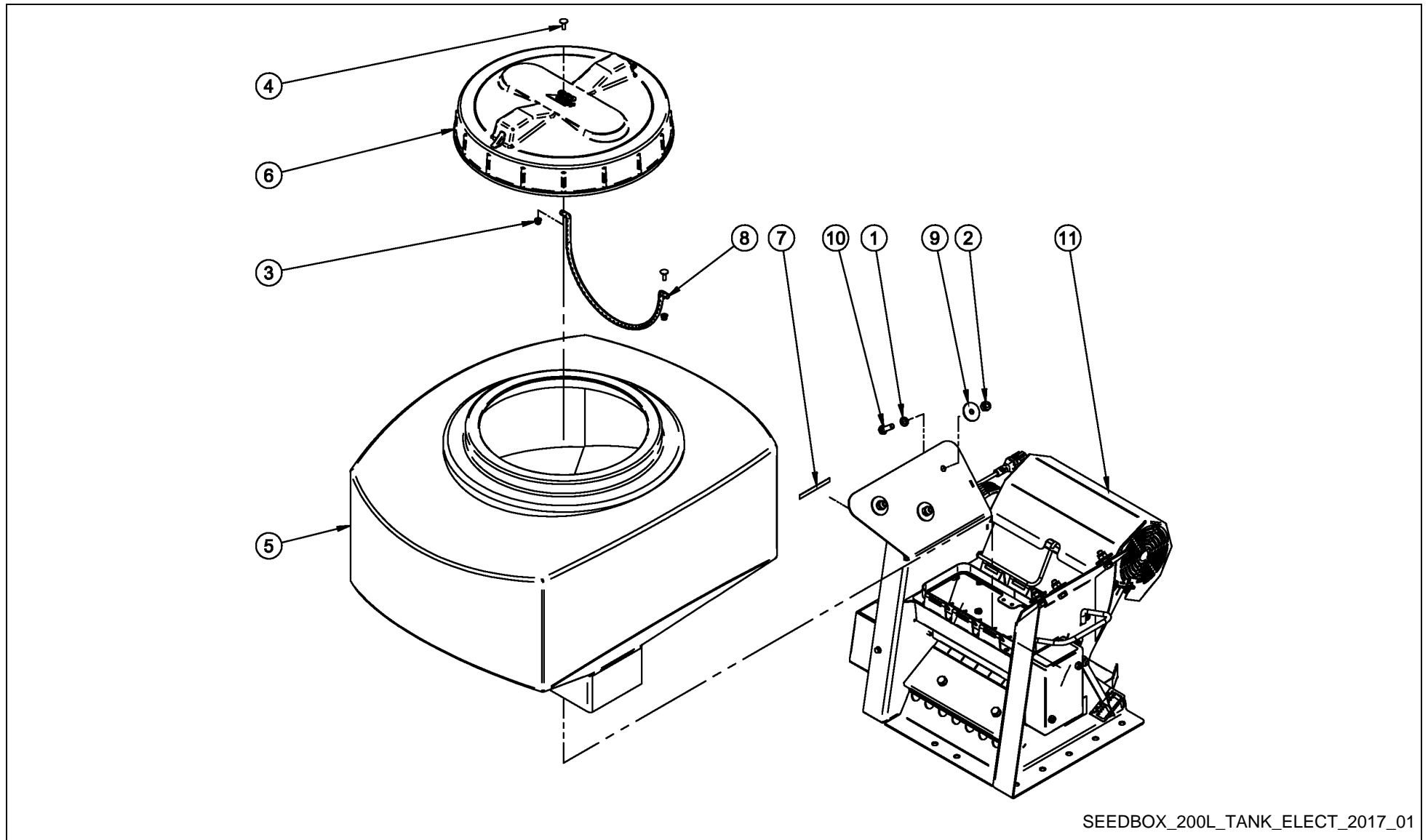
Article number: RF31911\_06  
Language: EN  
Production year (from): 2018  
Prod. Series nr (from):  
RFSDCxx006315 < Mach. ID <=



## A-DRILL / Table of Contents

PosNo.	Assembly group	Page
	TANK 200L	1
	TANK 500L	2
	DISTRIBUTION - COMMON PARTS	3
	DISTRIBUTION - COMMON PARTS	4
	DISTRIBUTION - 200L TANK	5
	DISTRIBUTION - 500L TANK	6
	DISTRIBUTION - COMMON PARTS	7
	DISTRIBUTION - 200L TANK	8
	DISTRIBUTION - 500L TANK	9
	HYDRAULIC MOTOR	10
	HYDRAULIC TURBINE	11
	HYDRAULIC TURBINE	12
	ROTOR DISTRIBUTION	13
	CONTROL MODULE	14
	SEED BOX ON RIGID CLC	15
	SEEDBOX EQUIPMENT CLC EVO FOLD	16
	SEEDBOX EQUIPMENT CLC PRO FOLD	17
	SEEDBOX ON QUALIDISC & QUALIDISC FARMER RIGID	18
	SEEDBOX ON QUALIDISC & QUALIDISC FARMER FOLD	19
	SEED BOX ON QUALIDISC T	20
	SEED BOX ON CTC	21
	SEEDBOX ADAPTER KIT	22
	THREE-POINT HITCH SENSOR KIT (RIGID)	23
	THREE-POINT HITCH SENSOR KIT (FOLD)	24
	START STOP SYSTEM ON QUALIDISC T	25
	START STOP SYSTEM ON CTC	26
	RADAR KIT ON RIGID MOUNTED MACHINE	27
	RADAR KIT ON FOLDABLE MOUNTED MACHINE	28
	RADAR KIT ON QUALIDISC T	29
	RADAR KIT ON CTC	30
	ANSI LIGHTING KIT FOR QUALIDISC T	31
	SOCKET FOR CLC TINE	32
	STICKERS	33



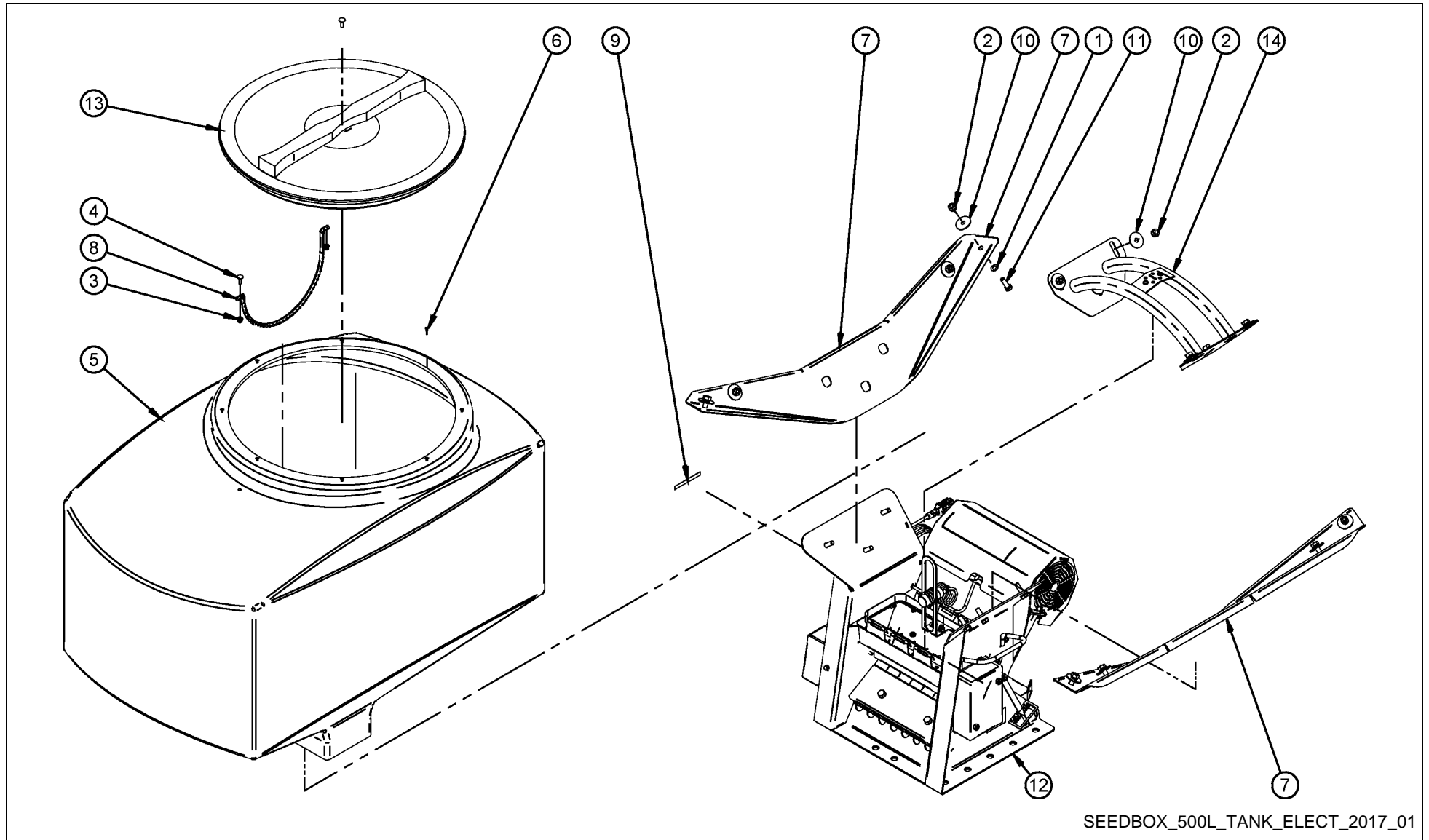


SEEDBOX\_200L\_TANK\_ELECT\_2017\_01

## A-DRILL / TANK 200L



PosNo.	Part No.	Qty.	Description	Remark
1	KG01267461		WASHER M10	
2	KG01051961		HEX. NUT M8 8	
3	KG01051761		HEX. NUT M6 8	
4	KG00637161		CARRIAGE BOLT M6X20 8.8	
5	RF32035		PS PE NATURAL COLOURED PLASTIC TANK 200L	
6	RF32033		COVER 250 L	
7	A135563874		PS200E TYPE PLATE STICKER	
8	RF32028		KNOTTED-LINK CHAIN 600 MM	
9	KG01260362		WASHER M10X30 ST	
10	KG00474461		HEX. SCREW M10X35 8.8	
11	RF3208330		P8 STEEL FRAME E FITTED 2	

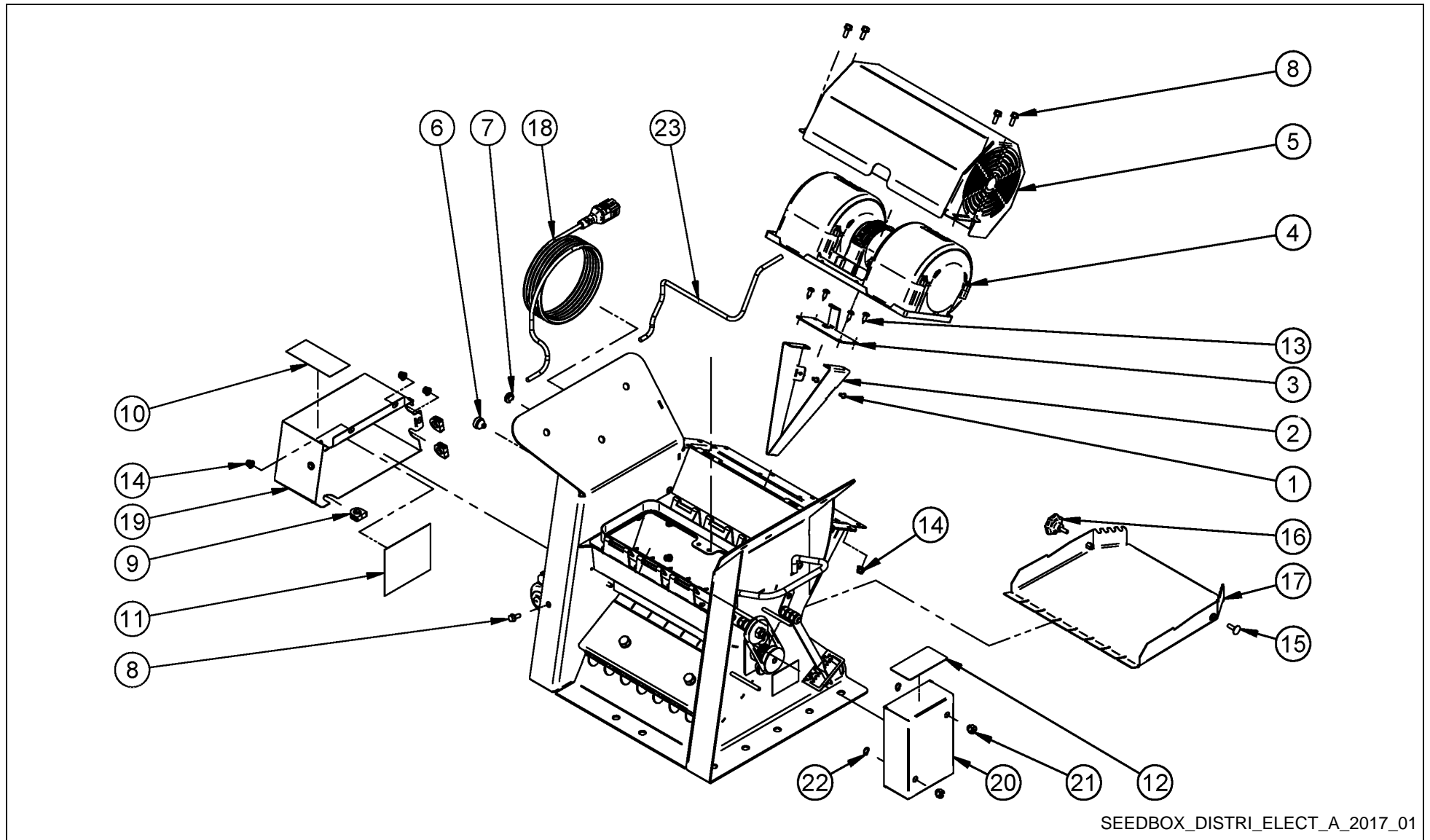


SEEDBOX\_500L\_TANK\_ELECT\_2017\_01

# A-DRILL / TANK 500L



PosNo.	Part No.	Qty.	Description	Remark
1	KG01267461		WASHER M10	
2	KG01051961		HEX. NUT M8 8	
3	KG01051761		HEX. NUT M6 8	
4	KG00637161		CARRIAGE BOLT M6X20 8.8	
5	A135569378		HOPPER 500L RAL9016	
6	A135569400		SCREW	
7	A135569586		REINFORCEMENT PLATE	
8	RF32028		KNOTTED-LINK CHAIN 600 MM	
9	A135569874		PS500M2 TYPE PLATE STICKER	
10	KG01260362		WASHER M10X30 ST	
11	KG00474461		HEX. SCREW M10X35 8.8	
12	A135569930		MOUNTED FRAME	
13	A135570178		COVER TANK	
14	A135570386		TANK REINFORCEMENT	

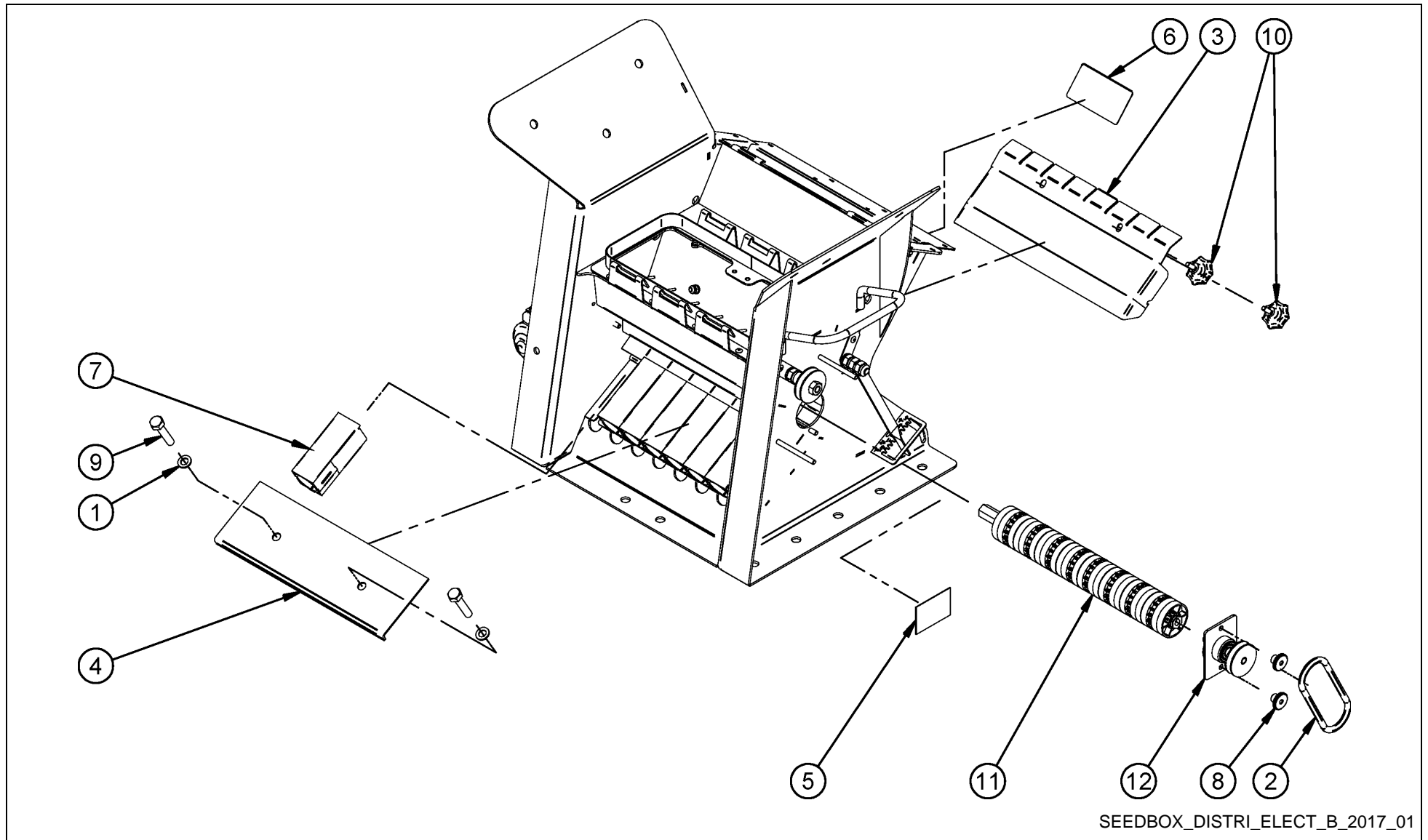


SEEDBOX\_DISTRI\_ELECT\_A\_2017\_01

## A-DRILL / DISTRIBUTION - COMMON PARTS

PosNo.	Part No.	Qty.	Description	Remark
1	A135564000		ROUND BLIND RIVET	
2	A135564100		FLOW PLATE	
3	A135564200		DOUBLE FAN REINFORCEMENT	
4	RF32038		DOUBLE FAN	
5	RF3207286		FAN COVER	
6	RF32040		DNG 16	
7	RF32045		GROMMET 10X12X2	
8	KG00980661		FLANGED BOLT M6X16 90	
9	A135564600		CABLE PROTECTION	
10	A135563074		NOTICE STICKER	
11	A135564774		STICKER WIRING DIAGRAM	
12	A135564874		SAFETY STICKER	
13	A135564900		PAN HEAD SCREW	
14	KG01051761		HEX. NUT M6 8	
15	KG00637161		CARRIAGE BOLT M6X20 8.8	
16	A135565000		STAR CLAMPING SCREW	
17	RF3206586		CALIBRATION SLIDE FITTED	
18	A135565200		CONNECTION CABLE	
19	A135565430		EQUIPPED COVER	
20	RF3207486		BELT COVER	
21	RF32032		HEXAGONAL NUT M6 WAF13 WITH RING	
22	A135565700		SHAFT RETAINING RING	
23	A135564500		CONNECTION CABLE	

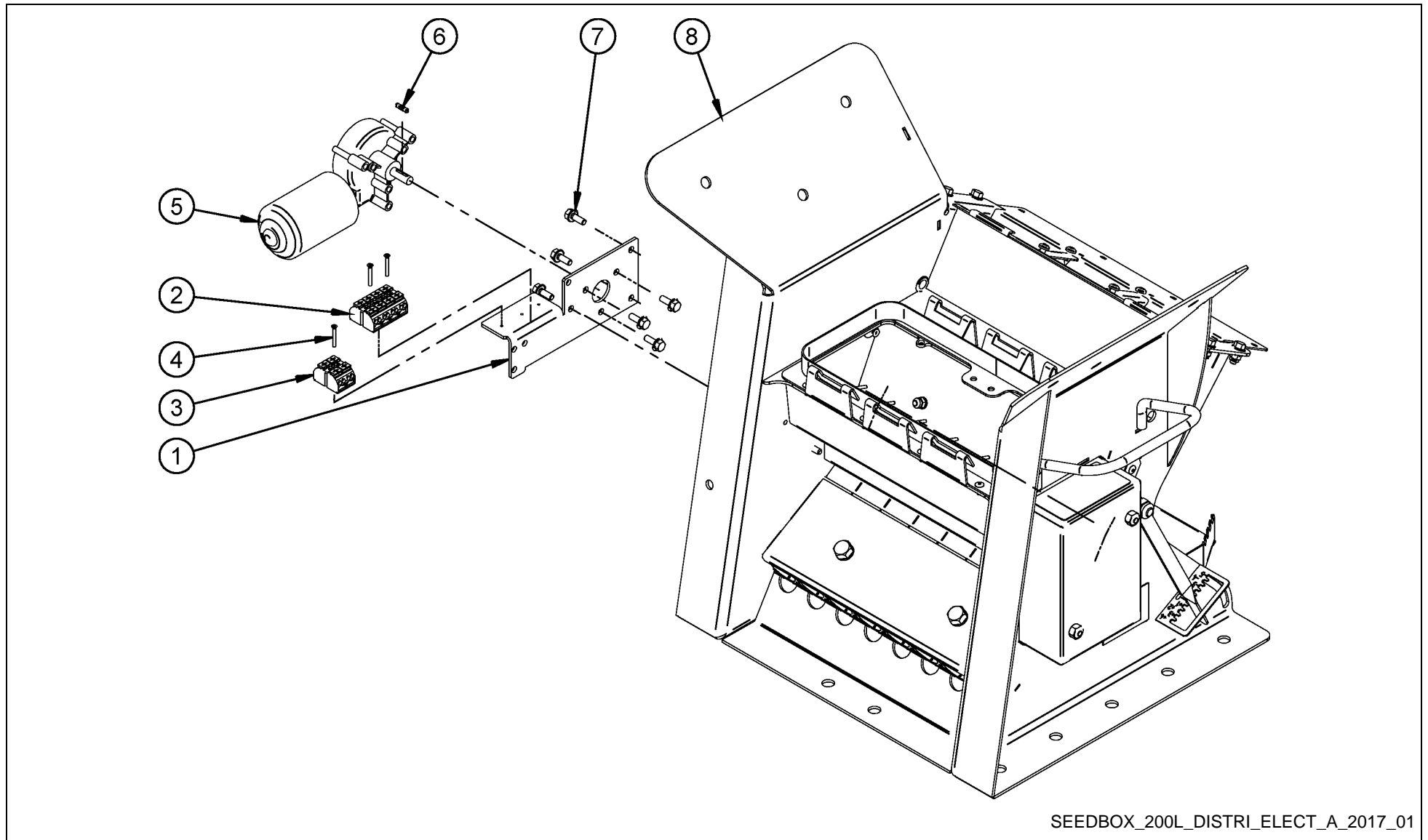
# A-DRILL / DISTRIBUTION - COMMON PARTS



SEEDBOX\_DISTRI\_ELECT\_B\_2017\_01

**A-DRILL / DISTRIBUTION - COMMON PARTS**

PosNo.	Part No.	Qty.	Description	Remark
1	KG01267461		WASHER M10	
2	RF32034		RUBBER DRIVE RING	
3	RF3207386		SOWING SHAFT COVER	
4	RF3207086		HOSE CLAMPING PLATE	
5	A135565974		SWEEPER ADJUSTMENT STICKER	
6	A135566274		SAFETY STICKER	
7	A135566000		ADAPTER	
8	RF32098		KNURLED NUT	
9	KG00355461		HEX. BOLT M10X50 8.8	
10	A135565000		STAR CLAMPING SCREW	
11	RF32066		SOWING SHAFT P8 FB-F-FB-FB FITTED	
12	RF32062		BEARING FLANGE P8 FITTED	

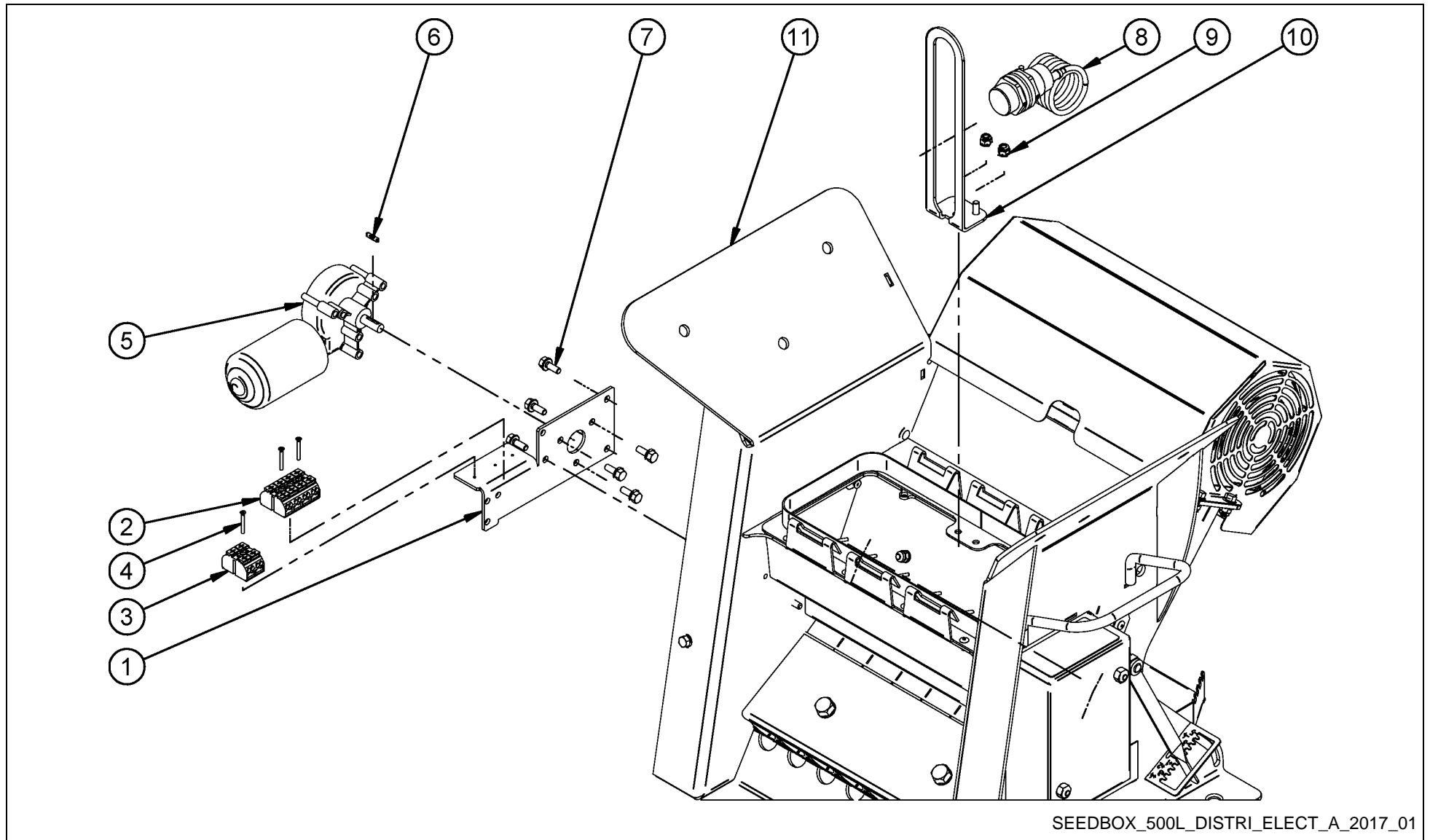


SEEDBOX\_200L\_DISTRI\_ELECT\_A\_2017\_01

## A-DRILL / DISTRIBUTION - 200L TANK



PosNo.	Part No.	Qty.	Description	Remark
1	A135566486		MOTOR HOLDER	
2	A135566500		TERMINAL	
3	A135566600		TERMINAL	
4	KG00697263		CHEESE HEAD SCREW M3X25 4.8	
5	A135566800		DRIVE MOTOR ASSEMBLED	
6	A135128200		KEY FOR ELECTRIC MOTOR	
7	KG00980661		FLANGED BOLT M6X16 90	
8	A135567130		MOUNTED FRAME	

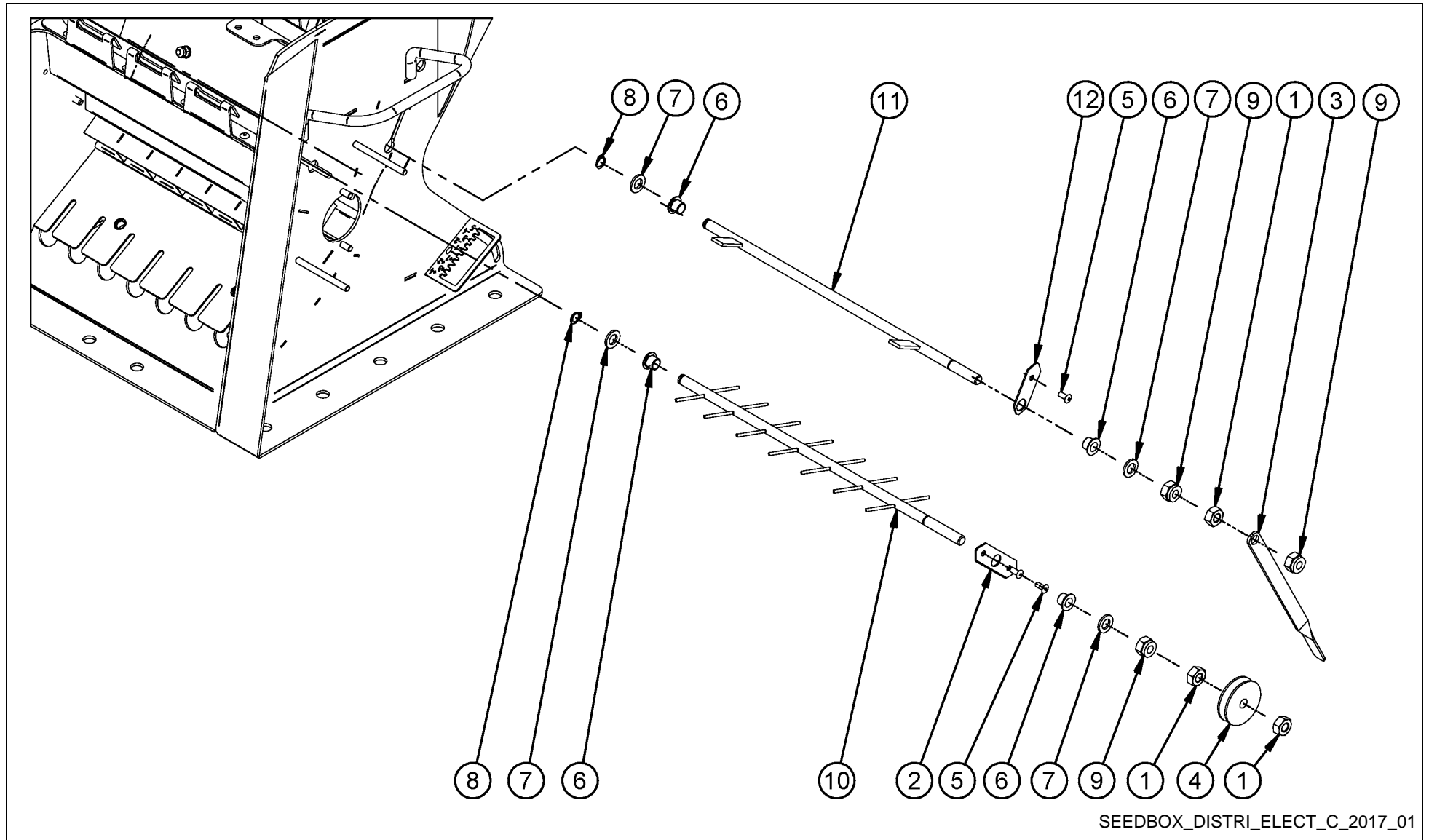


## A-DRILL / DISTRIBUTION - 500L TANK



PosNo.	Part No.	Qty.	Description	Remark
1	A135566486		MOTOR HOLDER	
2	A135566500		TERMINAL	
3	A135566600		TERMINAL	
4	KG00697263		CHEESE HEAD SCREW M3X25 4.8	
5	A135566800		DRIVE MOTOR ASSEMBLED	
6	A135128200		KEY FOR ELECTRIC MOTOR	
7	KG00980661		FLANGED BOLT M6X16 90	
8	RF32036		CAPACITIVE SENSOR	
9	KG01051761		HEX. NUT M6 8	
10	RF3207686		FILL LEVEL SENSOR BRACKET	
11	A135570530		MOUNTED FRAME	

# A-DRILL / DISTRIBUTION - COMMON PARTS

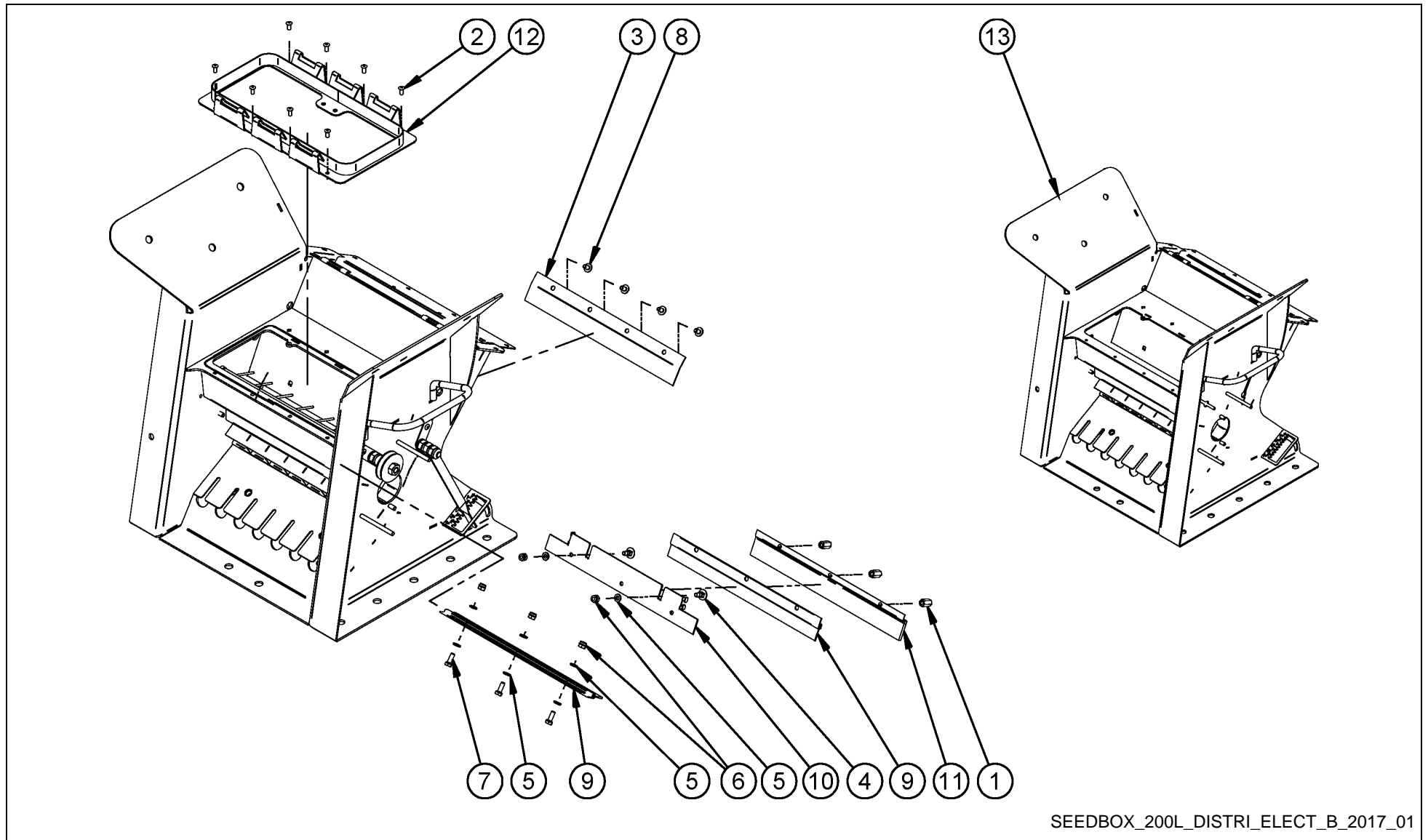


SEEDBOX\_DISTRI\_ELECT\_C\_2017\_01

## A-DRILL / DISTRIBUTION - COMMON PARTS



PosNo.	Part No.	Qty.	Description	Remark
1	KG01052061		HEX. NUT M10 8	
2	A135567786		SWEEPER ADJUSTMENT COVER	
3	RF32071		SWEEPER ADJUSTMENT LEVER	
4	A135567600		PULLEY	
5	A135564000		ROUND BLIND RIVET	
6	A135567500		BUSH	
7	KG01267461		WASHER M10	
8	A135565700		SHAFT RETAINING RING	
9	KG01051961		HEX. NUT M8 8	
10	A135567200		AGITATOR	
11	A135567300		ADJUSTMENT SHAFT	
12	A135567986		AGITATOR COVER	



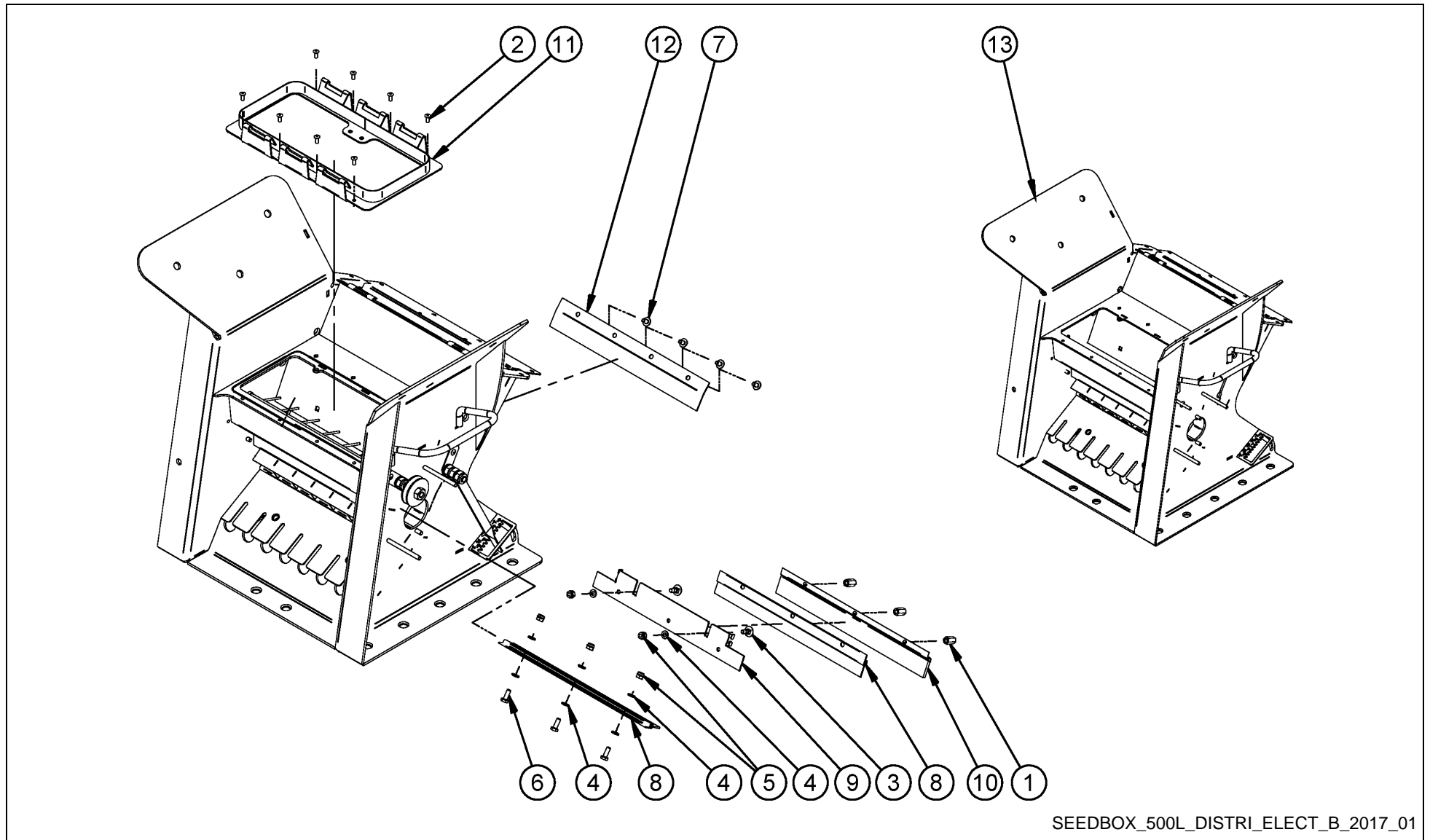
SEEDBOX\_200L\_DISTRI\_ELECT\_B\_2017\_01

## A-DRILL / DISTRIBUTION - 200L TANK



PosNo.	Part No.	Qty.	Description	Remark
1	A135568100		SOCKET SCREW	
2	A135564000		ROUND BLIND RIVET	
3	RF3207586		SYLODYN SHAFT AIR SHEET P8	
4	KG00637061		CARRIAGE BOLT M6X16 8.8	
5	KG01267261		WASHER M6	
6	KG01067361		LOCK NUT M6 8	
7	KG00468761		HEX. SCREW M6X16 8.8	
8	KG00980461		FLANGED BOLT M6X10 90	
9	A135568600		SWIPPER FITTED	
10	A135568700		SWEEPER ADJUSTMENT RAIL	
11	A135568800		ALUMINIUM RAIL	
12	A135568986		TANK RECEPTACLE	
13	A135569286		FRAME	

# A-DRILL / DISTRIBUTION - 500L TANK



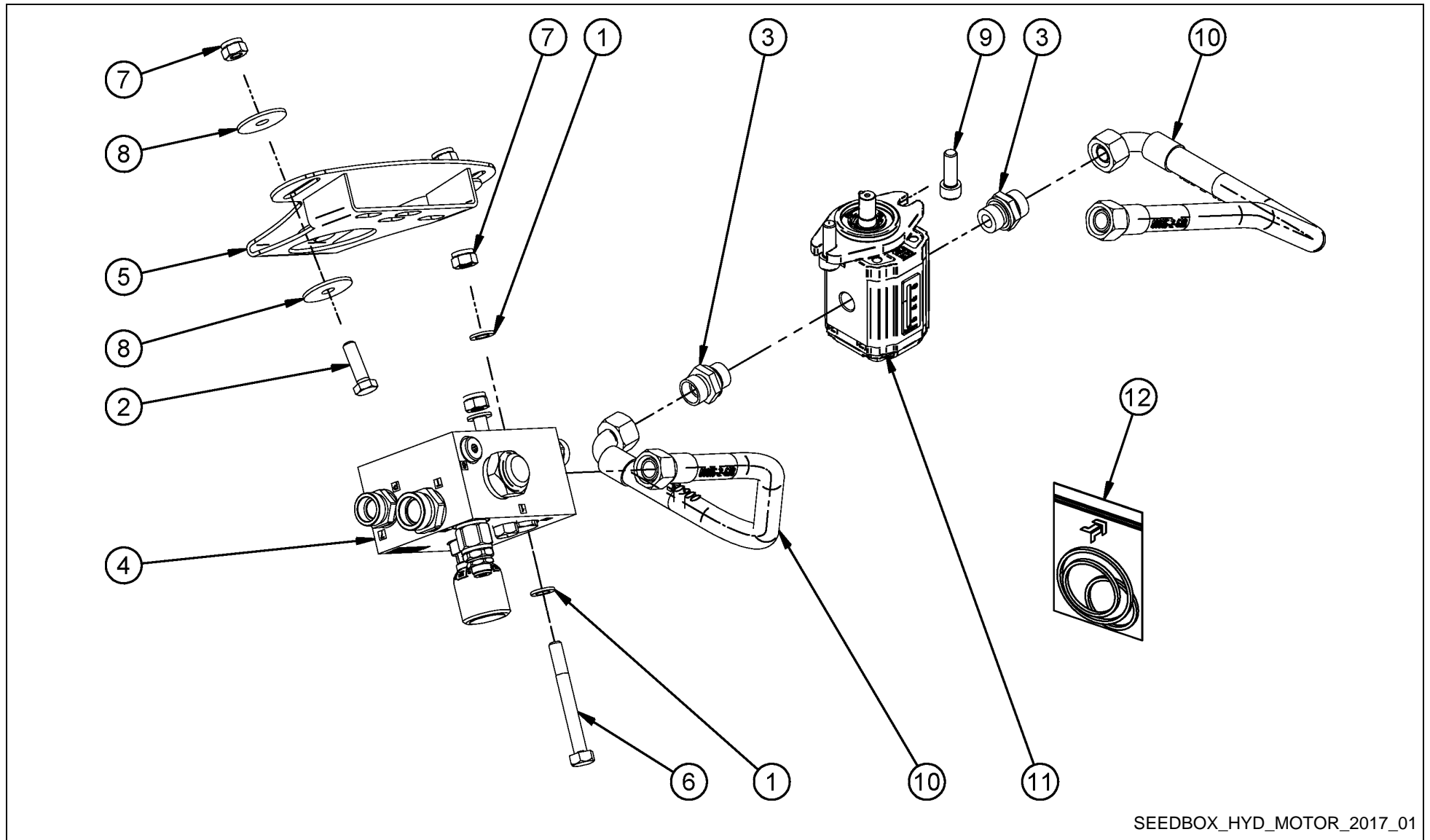
SEEDBOX\_500L\_DISTRI\_ELECT\_B\_2017\_01

## A-DRILL / DISTRIBUTION - 500L TANK



PosNo.	Part No.	Qty.	Description	Remark
1	A135568100		SOCKET SCREW	
2	A135564000		ROUND BLIND RIVET	
3	KG00637061		CARRIAGE BOLT M6X16 8.8	
4	KG01267261		WASHER M6	
5	KG01067361		LOCK NUT M6 8	
6	KG00468761		HEX. SCREW M6X16 8.8	
7	KG00980461		FLANGED BOLT M6X10 90	
8	A135568600		SWIPPER FITTED	
9	A135568700		SWEEPER ADJUSTMENT RAIL	
10	A135568800		ALUMINIUM RAIL	
11	A135568986		TANK RECEPTACLE	
12	A135570786		SHEET	
13	A135570830		MOUNTED FRAME	

# A-DRILL / HYDRAULIC MOTOR

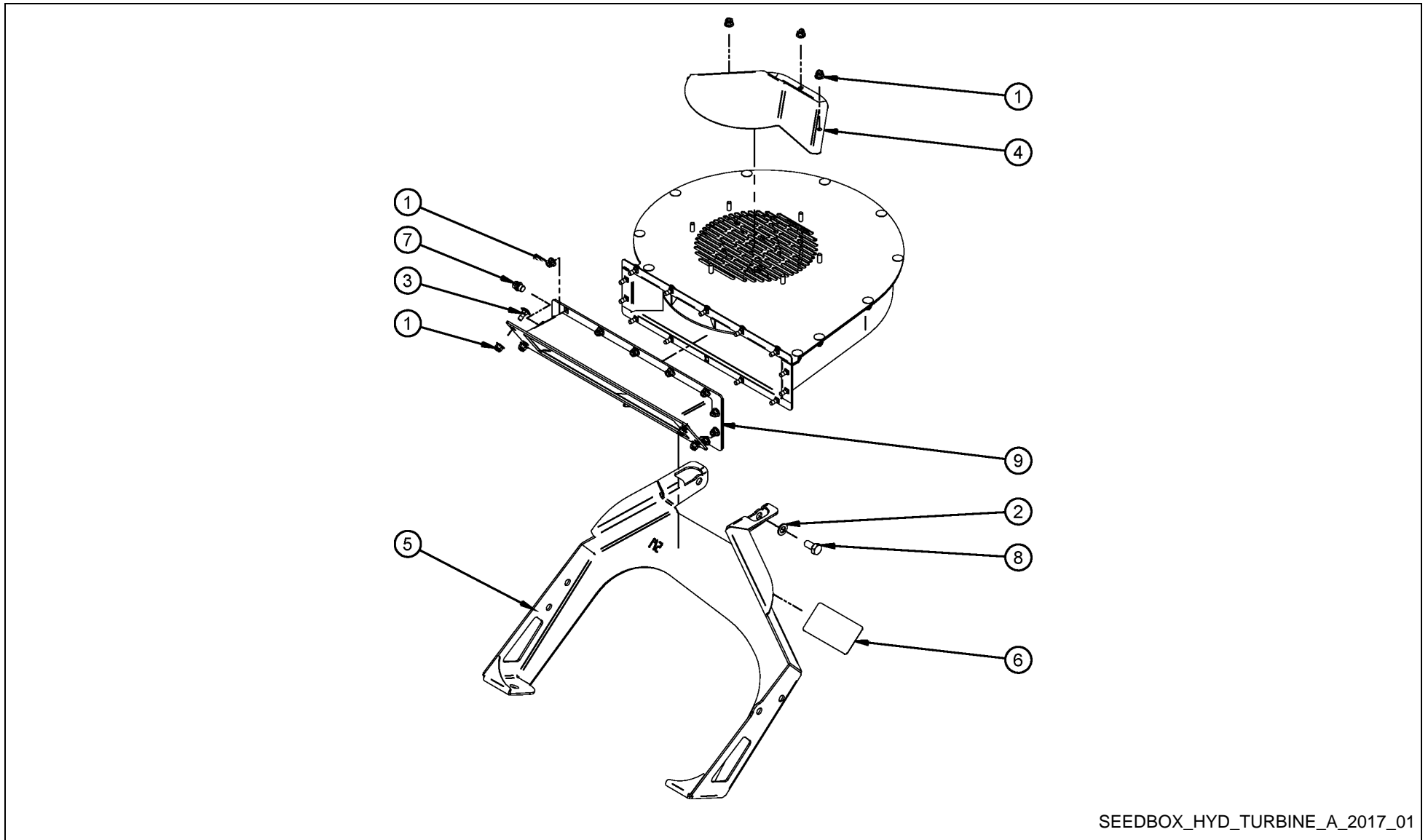


SEEDBOX\_HYD\_MOTOR\_2017\_01

## A-DRILL / HYDRAULIC MOTOR



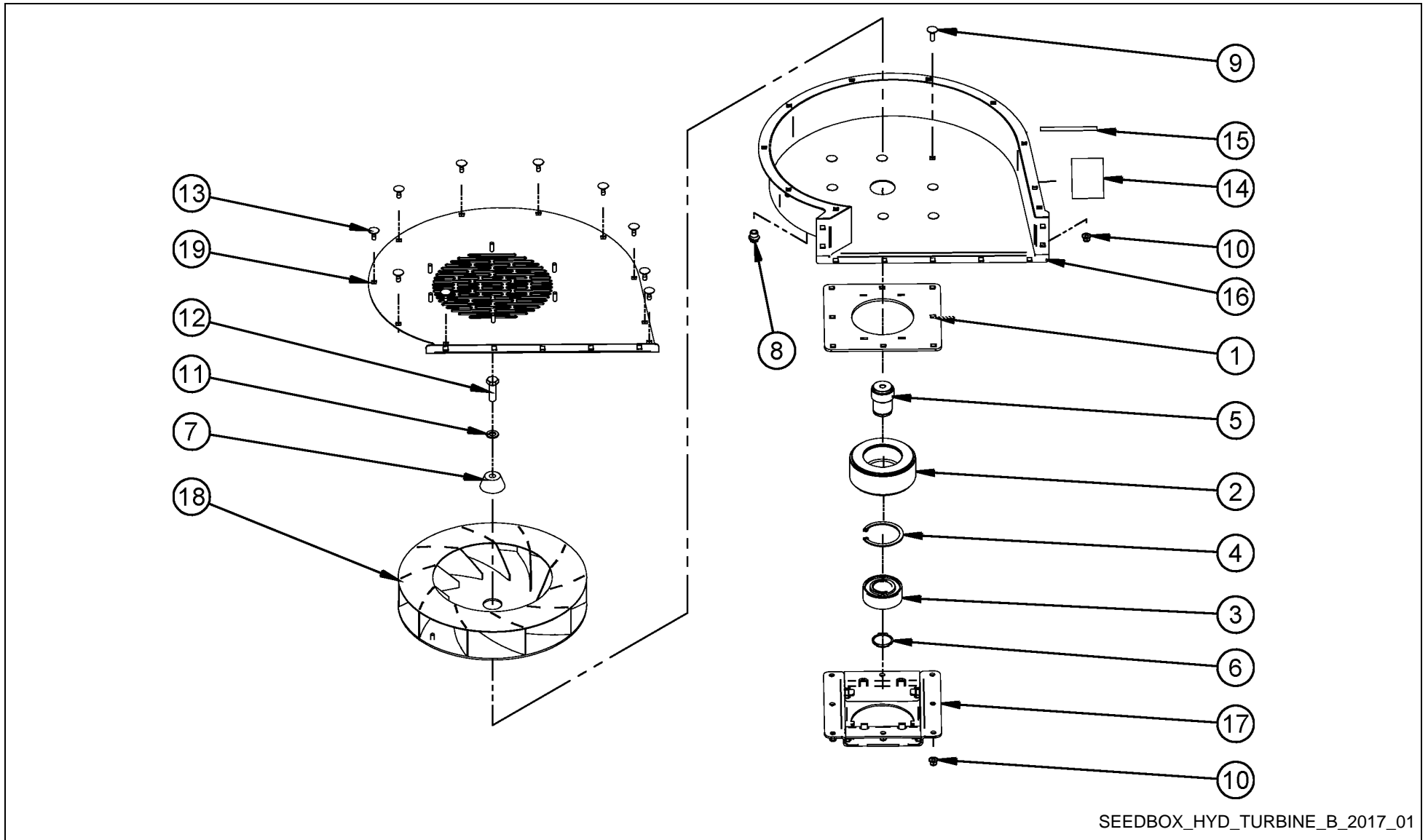
PosNo.	Part No.	Qty.	Description	Remark
1	KG01267461		WASHER M10	
2	KG00474461		HEX. SCREW M10X35 8.8	
3	RF32039		SCREW-IN CONNECTION G12 M22X1.5	
4	RF32048		CONTROL BLOCK 1	
5	RF32052		CONTROL BLOCK HOLDER P8	
6	KG00356261		HEX. BOLT M10X90 8.8	
7	KG01051961		HEX. NUT M8 8	
8	KG01260362		WASHER M10X30 ST	
9	KG00546961		CHEESE HEAD SCREW M10X30 8.8	
10	RF30910		HOSE HH2SC12 N00-15L_N90-15L 00750	
11	A135563630		MOTOR FROM 2016	
12	A135552700		SEALS KIT FOR HYDRAU MOTOR FROM 2016	



SEEDBOX\_HYD\_TURBINE\_A\_2017\_01

**A-DRILL / HYDRAULIC TURBINE**

PosNo.	Part No.	Qty.	Description	Remark
1	KG01051761		HEX. NUT M6 8	
2	KG01267461		WASHER M10	
3	KG00637061		CARRIAGE BOLT M6X16 8.8	
4	RF3209186		FAN HOOD HG300	
5	RF3209286		SUPPORT PS150-500	
6	A135562074		STICKER SAFETY	
7	A135562100		PLUG SCREW	
8	KG00474061		HEX. SCREW M10X20 8.8	
9	RF3209086		TRANSITION PIECE PS150-500	

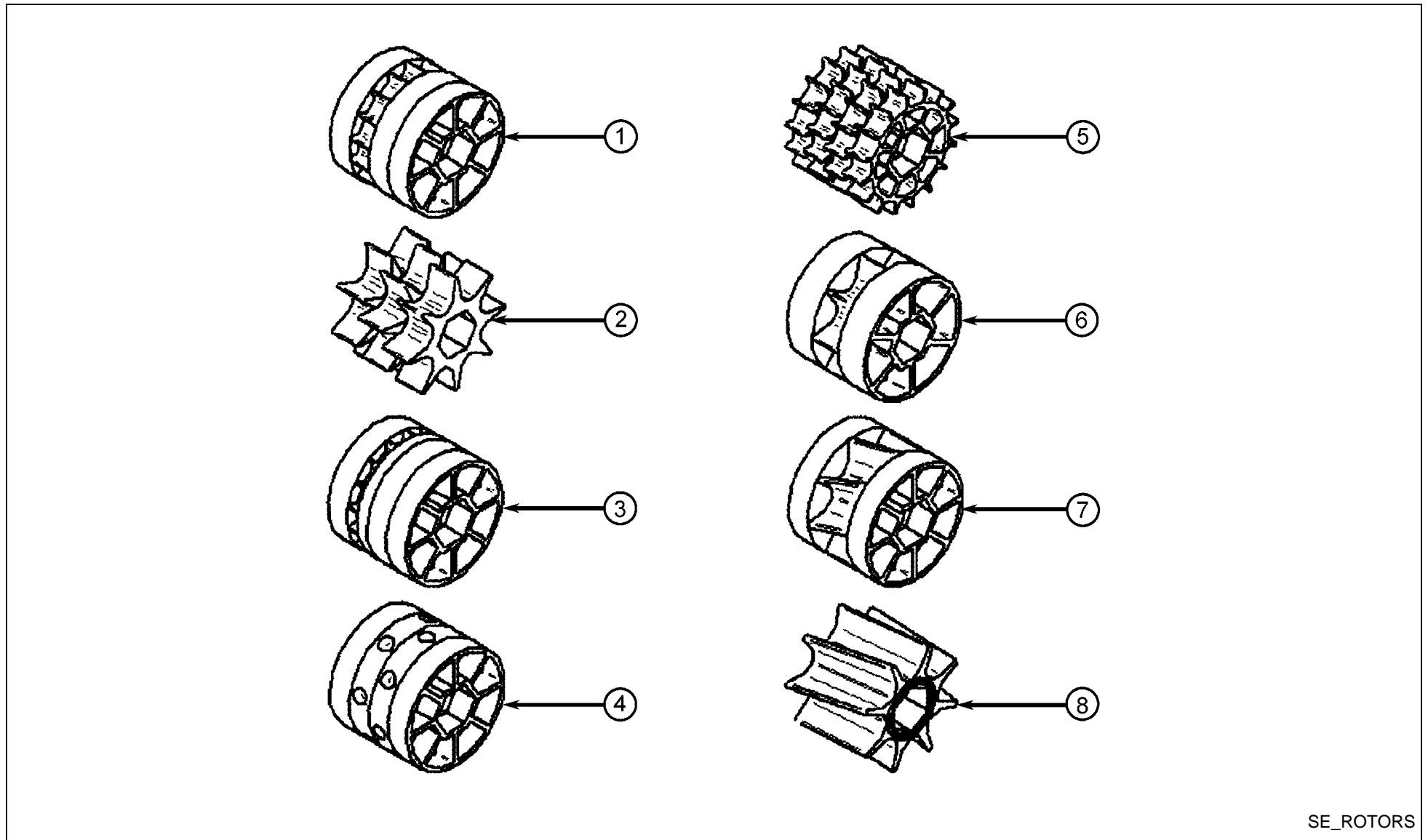


SEEDBOX\_HYD\_TURBINE\_B\_2017\_01

**A-DRILL / HYDRAULIC TURBINE**

PosNo.	Part No.	Qty.	Description	Remark
1	A135562500		SHEET HMH	
2	A135562600		BEARING HOLDER	
3	RF32093		BEARING 3206-B-2RSR-TVH	
4	A135562700		RETAINING RING	
5	A135562800		FAN SHAFT	
6	RF32114		RETAINING RING	
7	RF32094		ROTOR FIXING	
8	A135562900		SCREW	
9	KG00637161		CARRIAGE BOLT M6X20 8.8	
10	KG01051761		HEX. NUT M6 8	
11	KG01267461		WASHER M10	
12	KG00474461		HEX. SCREW M10X35 8.8	
13	KG00637061		CARRIAGE BOLT M6X16 8.8	
14	A135563074		NOTICE STICKER	
15	A135563174		HG300 TYPE PLATE STICKER	
16	RF3211786		RETAINING LOWER HOUSING SECTION	
17	A135563300		SHEET HMH	
18	RF32086		HG300 ROTOR	
19	RF3208786		FAN COVER HG300	

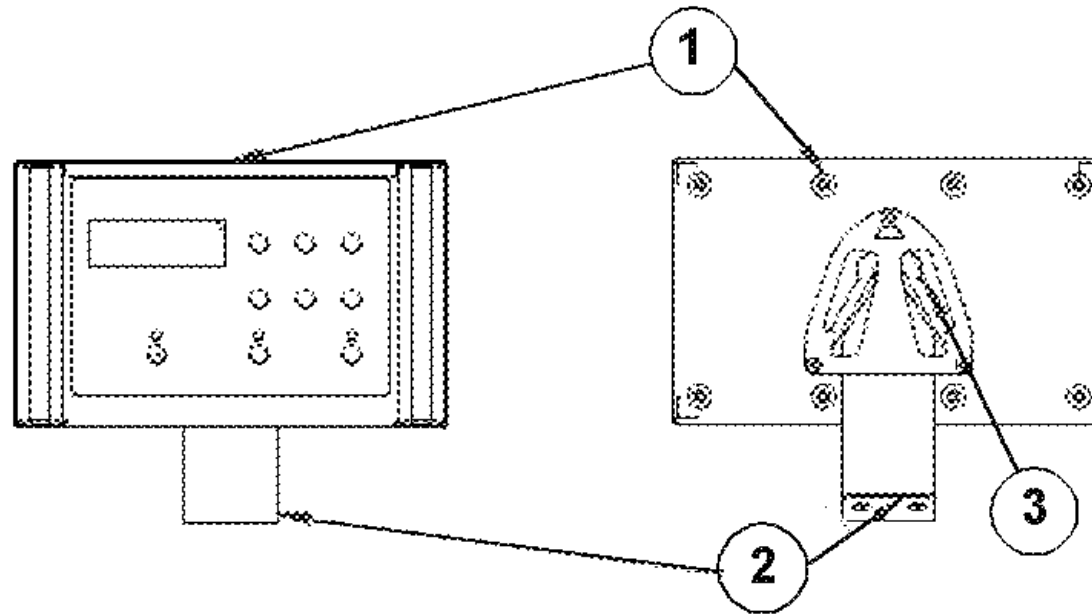
# A-DRILL / ROTOR DISTRIBUTION



SE\_ROTORS

**A-DRILL / ROTOR DISTRIBUTION**

PosNo.	Part No.	Qty.	Description	Remark
1	RF32066		SOWING SHAFT P8 FB-F-FB-FB FITTED	
2	RF32061		SOWING SHAFT P8 GGG FITTED	
3	RF32067		SOWING SHAFT P8 FB-FB-EF-EB-FB FITTED	
4	RF32209		SOWING SHAFT P8 FB-EFV-EFV-FB FITTED	
5	A135122830		SOWING SHAFT P8 F-F-F-F FITTED	
6	A135132030		SOWING SHAFT P8 GB-G-GB FITTED	
7	A135002130		SOWING SHAFT P8 FB-FLEX20-FB FITTED	
8	RF31432		SOWING SHAFT FLEX 40 FOR BIG SEEDS	

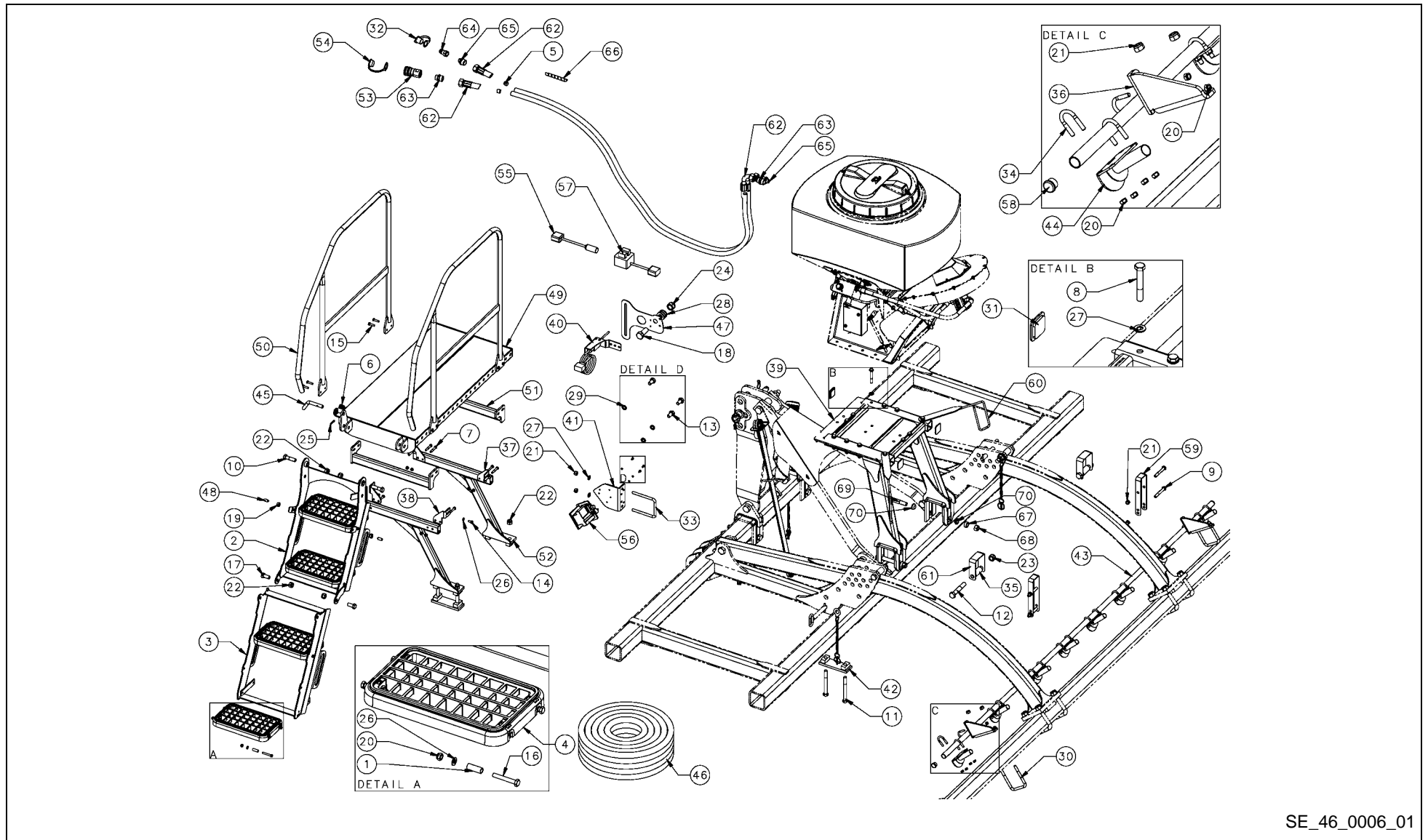


## A-DRILL / CONTROL MODULE



PosNo.	Part No.	Qty.	Description	Remark
1	RF31168X0		CONTROL BOX 3.2 (AS EXTRA EQUIPMENT)	
1	RF31169X0		CONTROL BOX 5.2 (AS EXTRA EQUIPMENT)	
2	RF32051		ANGLE BRACKET	
3	RF32031		MODULE MOUNT TRIANGULAR TYPE 2 YELLOW	

# A-DRILL / SEED BOX ON RIGID CLC

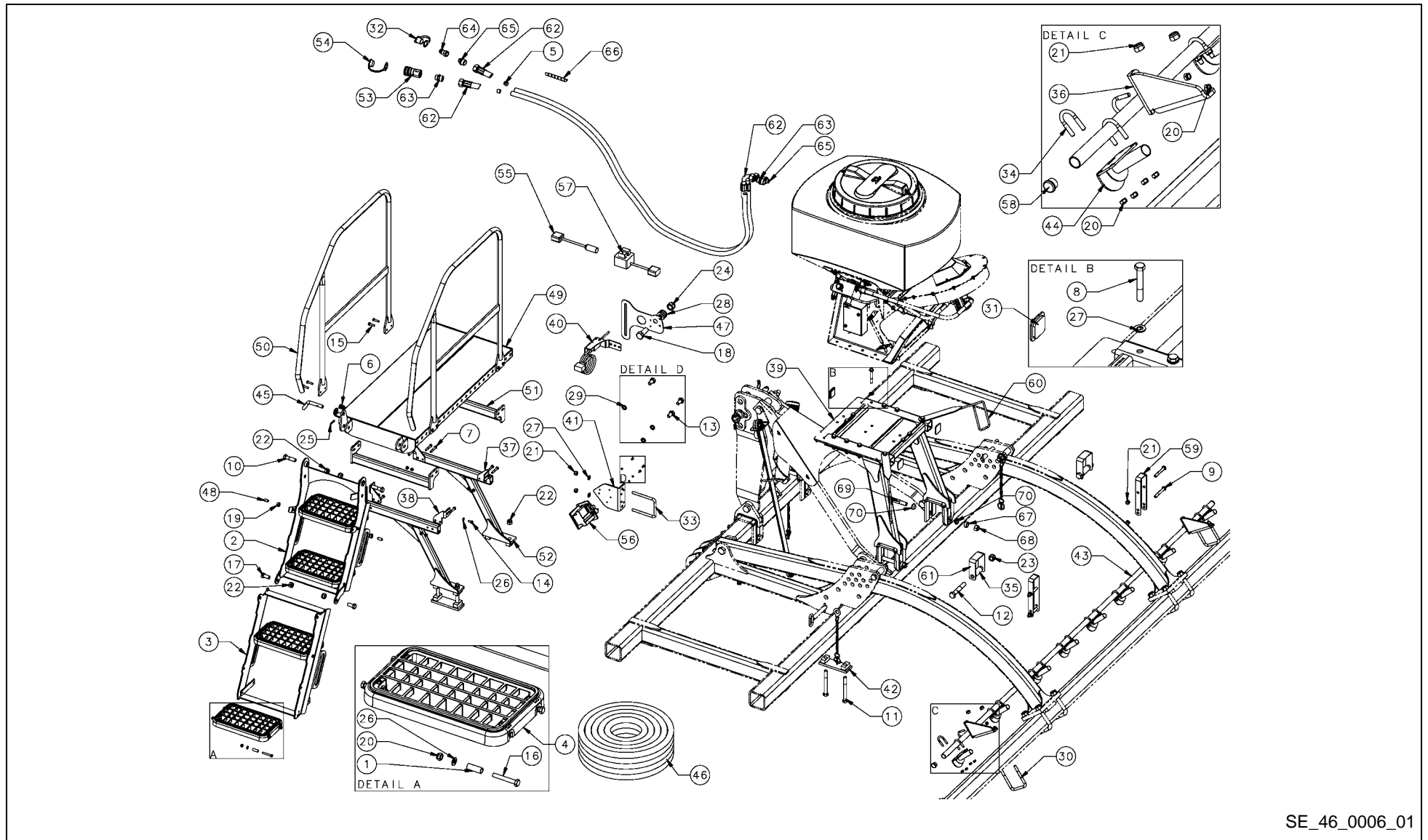


SE\_46\_0006\_01

## A-DRILL / SEED BOX ON RIGID CLC

PosNo.	Part No.	Qty.	Description	Remark
1	A135519561		BUSH Ø12 Ø9 LENGHT 32	
2	A135519694		UPPER STAIR	
3	A135519794		LOWER STAIR	
4	A139215097		STEP 200X340	
5	AC351793		HYDRAULIC TUBE CLIP 16,5 - 24,0 ( WHITE	
6	AC494726		PRESSURE SPRING GALVANIZED	
7	KG00353461		HEX. BOLT M8X50 8.8	
8	KG00358161		HEX. BOLT M12X80 8.8	
9	KG00358261		HEX. BOLT M12X90 8.8	
10	KG00362161		HEX. BOLT M16X60 8.8	
11	KG00363261		HEX. BOLT M16X150 8.8	
12	KG00367361		HEX. BOLT M20X120 8.8	
13	KG00468562		TUBE 120X60X6.3 OFFSET 50MM - 2365	
14	KG00471961		HEX. SCREW M8X20 8.8	
15	KG00472261		ML2. SCREW M8X30 8.8	
16	KG00472761		HEX. SCREW M8X55 8.8	
17	KG00480161		HEX. SCREW M16X35 8.8	
18	KG00486361		HEX. SCREW M24X60 8.8	
19	KG01050561		HEX. NUT M12 10	
20	KG01067561		LOCK NUT M8 8	
21	KG01067761		LOCK NUT M12 8	
22	KG01067961		LOCK NUT M16 8	
23	KG01068161		LOCK NUT M20 8	
24	KG01068361		LOCK NUT M24 8	
25	KG01189662		TENSION PIN 6X40	
26	KG01267361		WASHER M8	
27	KG01267561		WASHER M12	
28	KG01268161		WASHER M24	
29	KG01277461		SPRING WASHER M6	
30	RF00910		U-BOLT M12 FOR PIPE 90X90 GALV.	
31	RF02489		CAP 50 X 50 X 5	
32	RF02772		CAP FOR PUSH PULL	
33	RF18077		U-BOLT	
34	RF20444		YOKE FOR PAD DIA 25 ZINCED	
35	RF2837063		BUSH Ø30/20 LENGHT 62	
36	RF3098194		HOLDER FOR DISPERSION PLATE BAR	
37	RF3102194		ATTACHMENT LEFT	
38	RF3102294		ATTACHMENT RIGHT	
39	RF3102894		HOPPER HOLDER	
40	RF31174X0		UPPER LINKAGE 3RD PT START/STOP SENSOR	

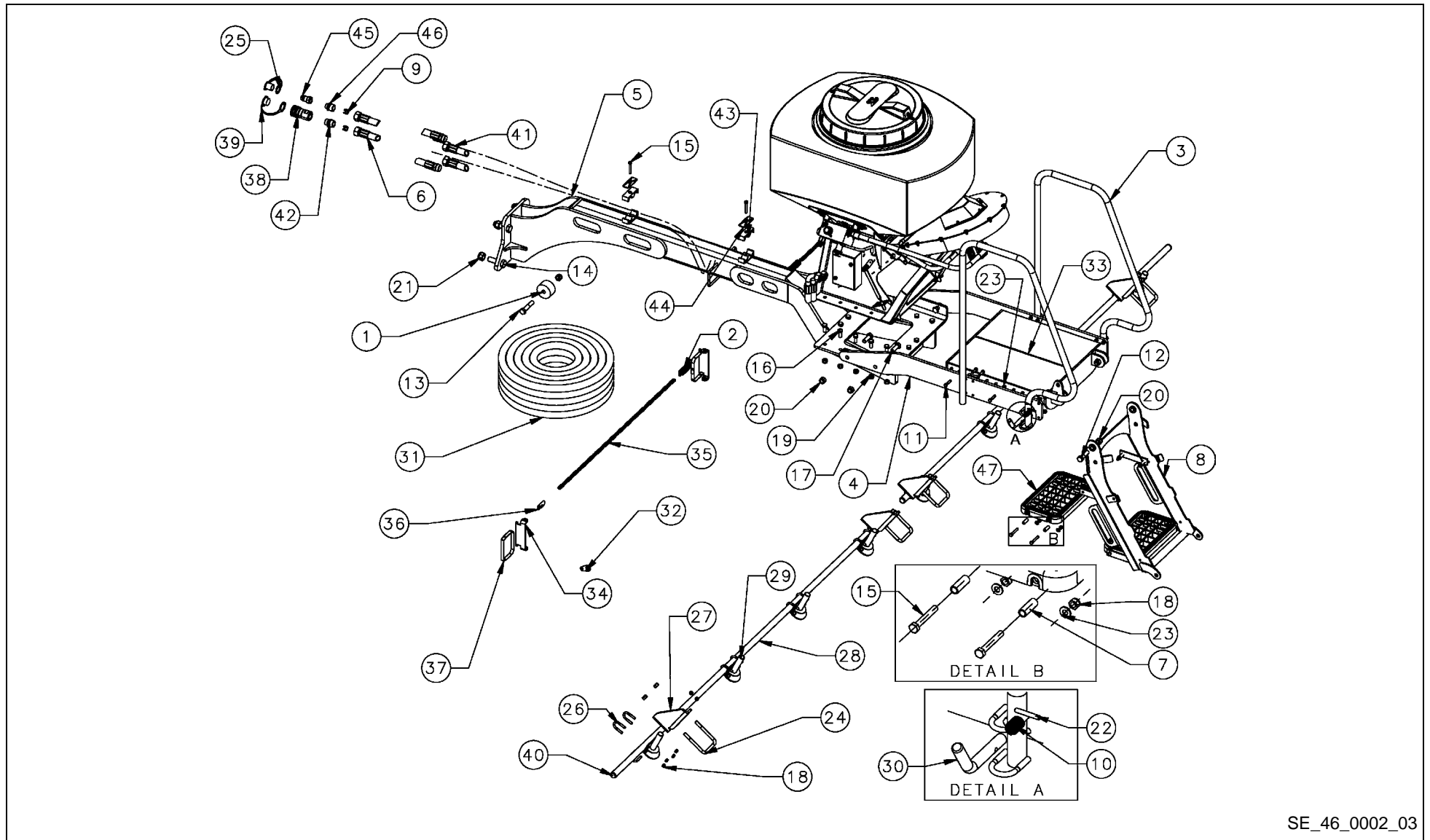
# A-DRILL / SEED BOX ON RIGID CLC



SE\_46\_0006\_01

## A-DRILL / SEED BOX ON RIGID CLC

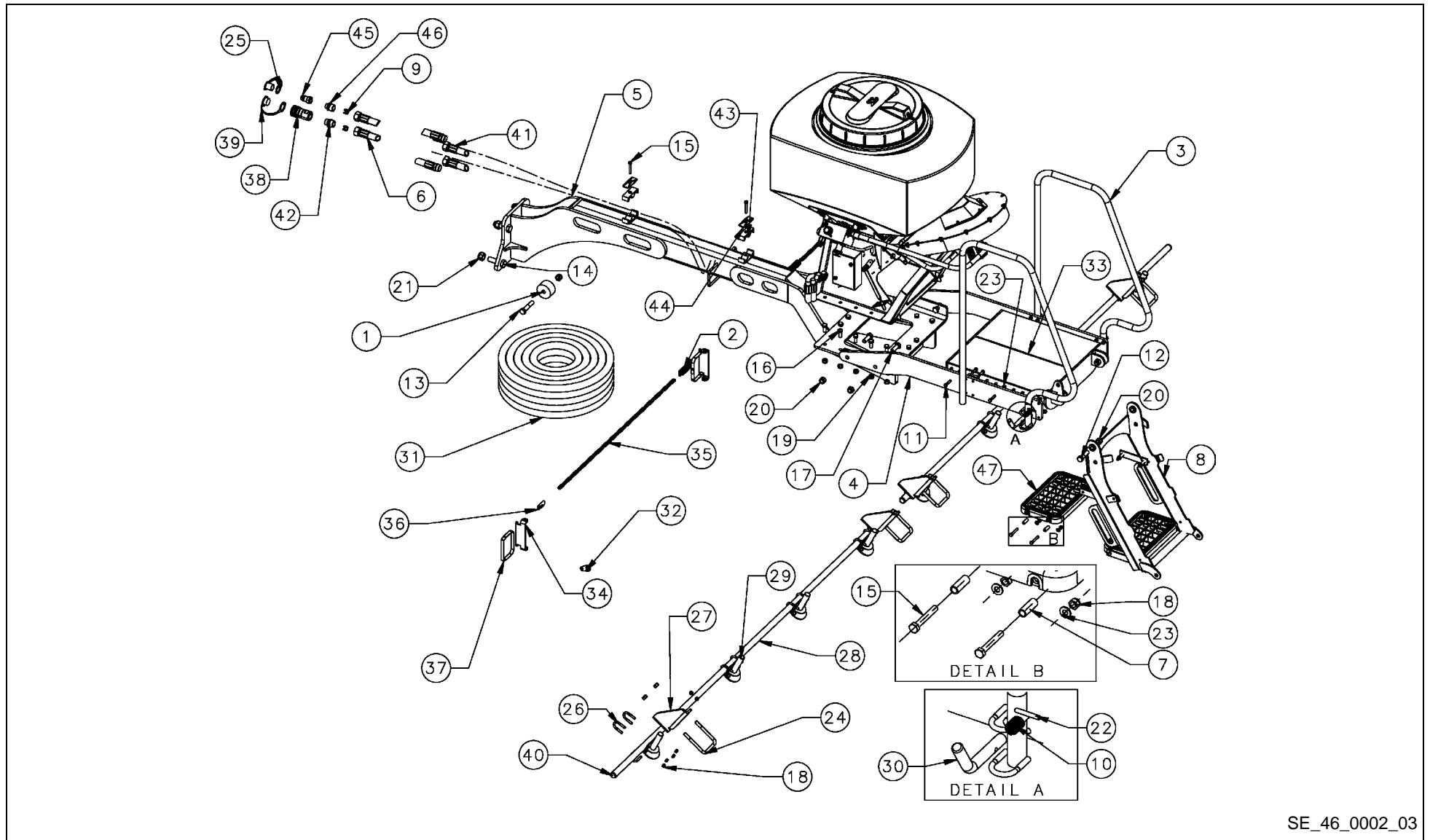
PosNo.	Part No.	Qty.	Description	Remark
41	RF3117694		ANGLE PLATE FOR RADAR SENSOR	
42	RF3133994		PLATE 2 HOLES Ø17 WITH STOP	
43	RF3137094		ROUND TUBE Ø26.9X2.3 LG 2800	
44	RF3137961		WELDED DISPERSION PLATE	
45	RF3146061		BENT PIN Ø16	
46	RF31470		PIPE Ø30 / METER	
47	RF3147194		3 POINT LINKAGE SENSOR BRACKET	
48	RF31514		SPRING PLUNGER M12 HEXAGON SOCKET	
49	RF3151994		SHORT PLATFORM	
50	RF3152494		WELDED SHORT HANDRAIL	
51	RF3153194		REINFORCED CROSS BEAM	
52	RF3155094		WELDED PLATFORM LEG	
53	RF31569		FEMALE QUICK RELEASE COUPLING 3/4	
54	RF31572		FEMALE PLASTIC PLUG COUPLING 3/4	
55	RF31574		7 PIN CONNECTOR FOR VERSION 5.2	
56	RF31575		RADAR SENSOR	
57	RF31576		Y CABLE TO CONNECT 2 SENSORS ON CB	
58	RF31736		ROUND TUBE Ø26.9 CAP	
59	RF3175194		PIPE FIXING U PLATE	
60	RF3175294		WELDED BRACKET ON STAY	
61	RF3175594		U PLATE	
62	RF31963		HOSE HH2SC19 N00-22L_N90-22L 03000	
63	RF31965		HYDRAULIC COUPLER	
64	RF32002		HF - QC - PP - 12.5 - 1/2 BSP	
65	RF32003		HYDRAULIC COUPLER	
66	RFGAINE024		SPIRAL FLEXIBLE SHEATH 16X1 INT. 13	
67	KK010170		BUSHING D30 X D21	
68	KK015830		NUT M20	
69	KK032813		HEX BOLT M20X170 10.9	
70	KK301223		CONE D20.5-D32X12	



SE\_46\_0002\_03

## A-DRILL / SEEDBOX EQUIPMENT CLC EVO FOLD

PosNo.	Part No.	Qty.	Description	Remark
1	A135019394		SOCKET	
2	A135027763		TENSION SPRING Ø25 LENGHT 100	
3	A135027894		HANDRAIL	
4	A135028394		SIDE PLATE	
5	A135028594		CLC EVO HOPPER HOLDER	
6	A135031700		HOSE HH2SC18 N00-22L_D00-22L 02500	
7	A135519561		BUSH Ø12 Ø9 LENGHT 32	
8	A135519694		UPPER STAIR	
9	AC351793		HYDRAULIC TUBE CLIP 16,5 - 24,0 ( WHITE	
10	AC494726		PRESSURE SPRING GALVANIZED	
11	KG00353161		HEX. BOLT M8X35 8.8	
12	KG00362161		HEX. BOLT M16X60 8.8	
13	KG00362561		HEX. BOLT M16X80 8.8	
14	KG00366661		HEX. BOLT M20X70 8.8	
15	KG00472761		HEX. SCREW M8X55 8.8	
16	KG00476561		HEX. SCREW M12X30 8.8	
17	KG00480361		HEX. SCREW M16X45 8.8	
18	KG01067561		LOCK NUT M8 8	
19	KG01067761		LOCK NUT M12 8	
20	KG01067961		LOCK NUT M16 8	
21	KG01068161		LOCK NUT M20 8	
22	KG01189662		TENSION PIN 6X40	
23	KG01267361		WASHER M8	
24	RF00910		U-BOLT M12 FOR PIPE 90X90 GALV.	
25	RF02772		CAP FOR PUSH PULL	
26	RF20444		YOKE FOR PAD DIA 25 ZINCED	
27	RF3098194		HOLDER FOR DISPERSION PLATE BAR	
28	RF3136994		ROUND TUBE Ø26.9X2.3 LG 2300	
29	RF3137961		WELDED DISPERSION PLATE	
30	RF3146061		BENT PIN Ø16	
31	RF31470		PIPE Ø30 / METER	
32	RF3147461		ATTACHMENT WASHER M16	
33	RF3149594		PLATFORM	
34	RF3151594		CHAIN BRACKET	
35	A135607600		SEED BOX EQUIPMENT CHAIN LENGHT 5 M	
36	RF31517		QUICK LINK Ø5	
37	RF31518		FULL BAND HOSE CLAMP Ø122-Ø142	
38	RF31569		FEMALE QUICK RELEASE COUPLING 3/4	
39	RF31572		FEMALE PLASTIC PLUG COUPLING 3/4	
40	RF31736		ROUND TUBE Ø26.9 CAP	



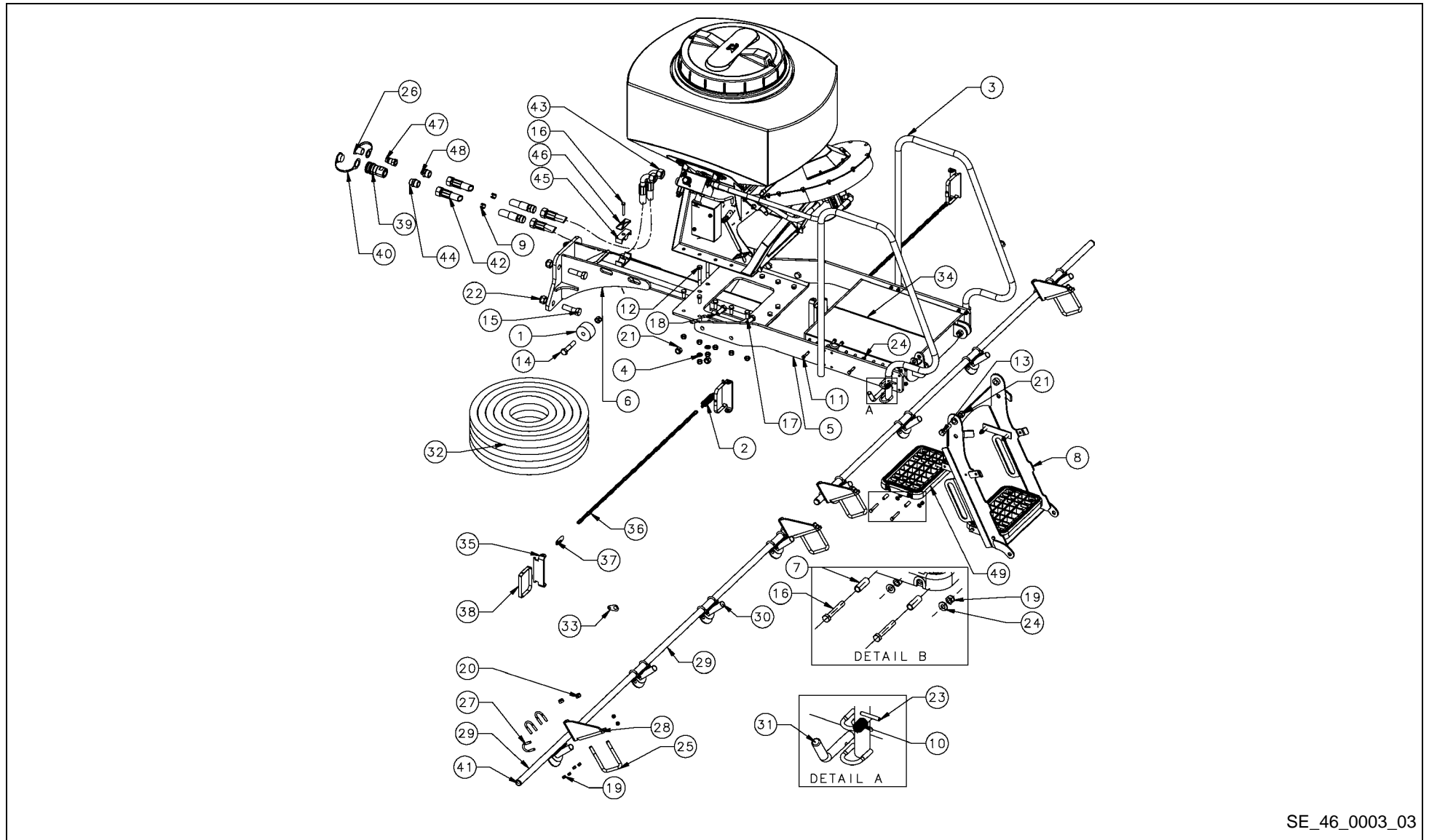
SE\_46\_0002\_03

## A-DRILL / SEEDBOX EQUIPMENT CLC EVO FOLD



PosNo.	Part No.	Qty.	Description	Remark
41	RF31963		HOSE HH2SC19 N00-22L_N90-22L 03000	
42	RF31965		HYDRAULIC COUPLER	
43	RF31966		HALF HOSE CLIP TWIN Ø27	
44	RF31973		BLADE FOR HOSE CLIP Ø27-28-30	
45	RF32002		HF - QC - PP - 12.5 - 1/2 BSP	
46	RF32003		HYDRAULIC COUPLER	
47	A139215097		STEP 200X340	

# A-DRILL / SEEDBOX EQUIPMENT CLC PRO FOLD

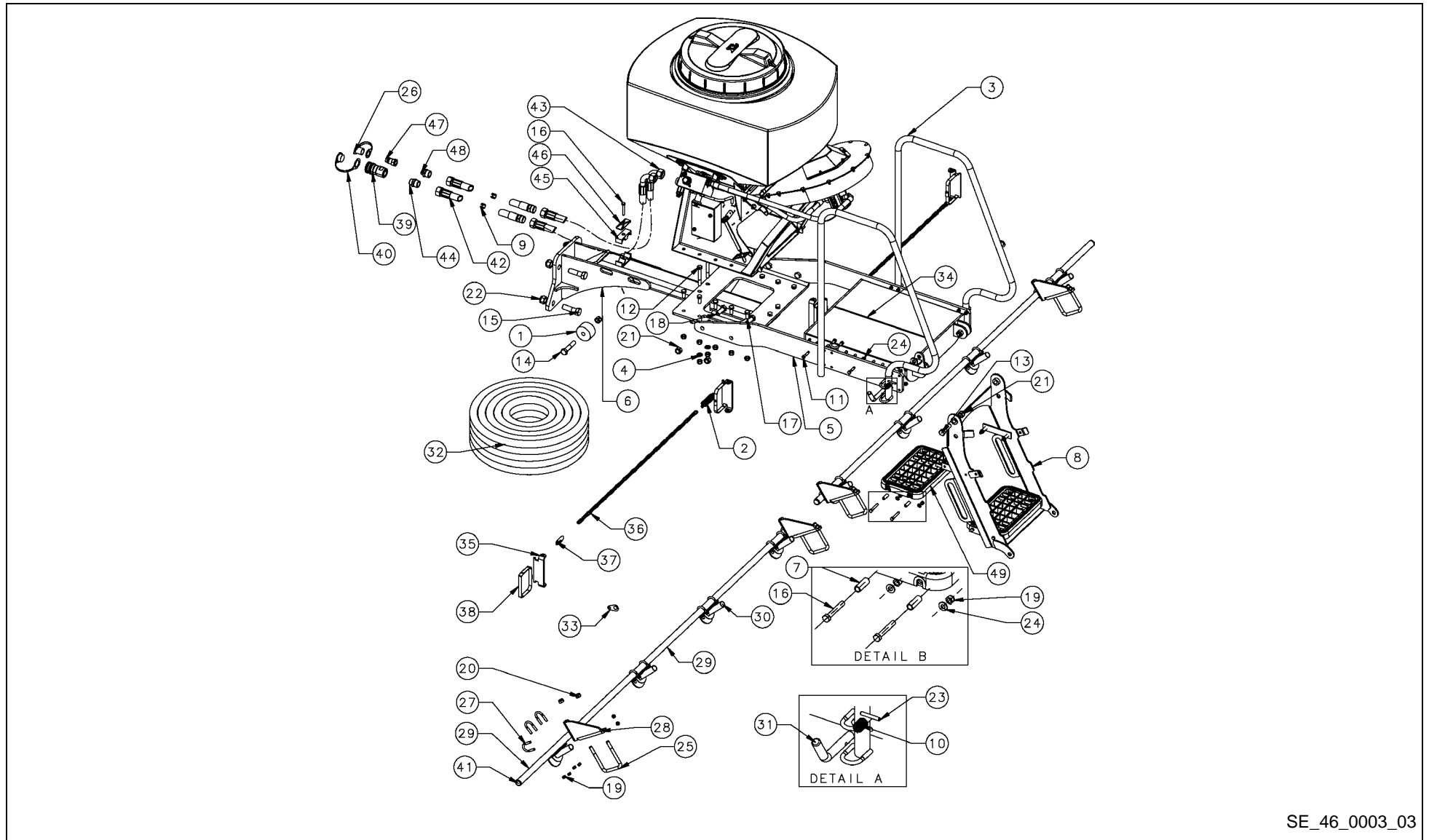


SE\_46\_0003\_03

## A-DRILL / SEEDBOX EQUIPMENT CLC PRO FOLD

PosNo.	Part No.	Qty.	Description	Remark
1	A135019394		SOCKET	
2	A135027763		TENSION SPRING Ø25 LENGHT 100	
3	A135027894		HANDRAIL	
4	A135027963		WASHER M12X2.5 200 HV	
5	A135028394		SIDE PLATE	
6	A135028494		HOPPER HOLDER CLC PRO QUALI	
7	A135519561		BUSH Ø12 Ø9 LENGHT 32	
8	A135519694		UPPER STAIR	
9	AC351793		HYDRAULIC TUBE CLIP 16,5 - 24,0 ( WHITE	
10	AC494726		PRESSURE SPRING GALVANIZED	
11	KG00353161		HEX. BOLT M8X35 8.8	
12	KG00358261		HEX. BOLT M12X90 8.8	
13	KG00362161		HEX. BOLT M16X60 8.8	
14	KG00362561		HEX. BOLT M16X80 8.8	
15	KG00366661		HEX. BOLT M20X70 8.8	
16	KG00472761		HEX. SCREW M8X55 8.8	
17	KG00476561		HEX. SCREW M12X30 8.8	
18	KG00480361		HEX. SCREW M16X45 8.8	
19	KG01067561		LOCK NUT M8 8	
20	KG01067761		LOCK NUT M12 8	
21	KG01067961		LOCK NUT M16 8	
22	KG01068161		LOCK NUT M20 8	
23	KG01189662		TENSION PIN 6X40	
24	KG01267361		WASHER M8	
25	RF00910		U-BOLT M12 FOR PIPE 90X90 GALV.	
26	RF02772		CAP FOR PUSH PULL	
27	RF20444		YOKE FOR PAD DIA 25 ZINCED	
28	RF3098194		HOLDER FOR DISPERSION PLATE BAR	
29	RF3136994		ROUND TUBE Ø26.9X2.3 LG 2300	
30	RF3137961		WELDED DISPERSION PLATE	
31	RF3146061		BENT PIN Ø16	
32	RF31470		PIPE Ø30 / METER	
33	RF3147461		ATTACHMENT WASHER M16	
34	RF3149594		PLATFORM	
35	RF3151594		CHAIN BRACKET	
36	A135607600		SEED BOX EQUIPMENT CHAIN LENGHT 5 M	
37	RF31517		QUICK LINK Ø5	
38	RF31518		FULL BAND HOSE CLAMP Ø122-Ø142	
39	RF31569		FEMALE QUICK RELEASE COUPLING 3/4	
40	RF31572		FEMALE PLASTIC PLUG COUPLING 3/4	

# A-DRILL / SEEDBOX EQUIPMENT CLC PRO FOLD



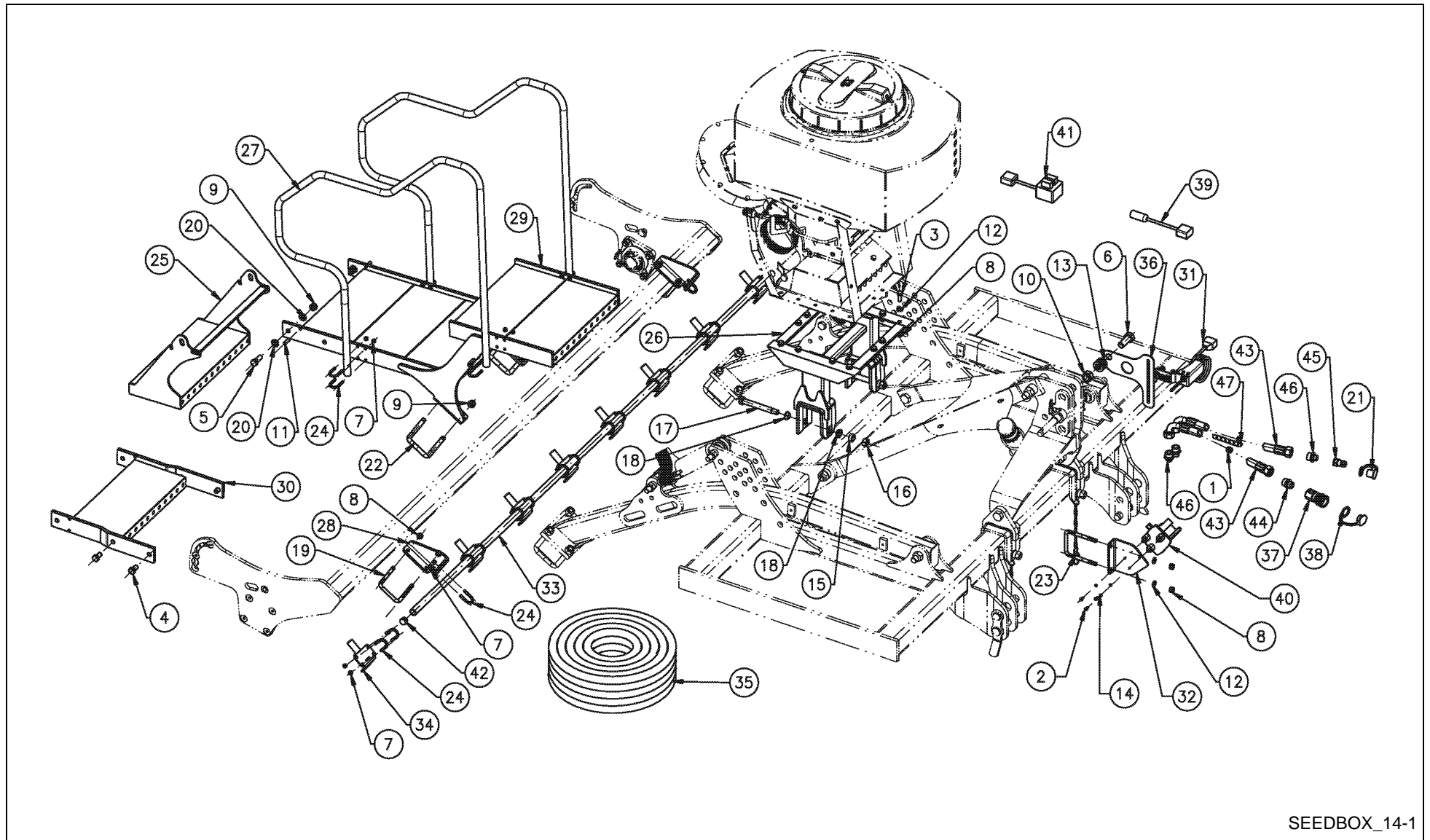
SE\_46\_0003\_03

## A-DRILL / SEEDBOX EQUIPMENT CLC PRO FOLD



PosNo.	Part No.	Qty.	Description	Remark
41	RF31736		ROUND TUBE Ø26.9 CAP	
42	RF31962		HOSE HH2SC19 N00-22L_D00-22L 01000	
43	RF31963		HOSE HH2SC19 N00-22L_N90-22L 03000	
44	RF31965		HYDRAULIC COUPLER	
45	RF31966		HALF HOSE CLIP TWIN Ø27	
46	RF31973		BLADE FOR HOSE CLIP Ø27-28-30	
47	RF32002		HF - QC - PP - 12.5 - 1/2 BSP	
48	RF32003		HYDRAULIC COUPLER	
49	A139215097		STEP 200X340	

# A-DRILL / SEEDBOX ON QUALIDISC & QUALIDISC FARMER RIGID

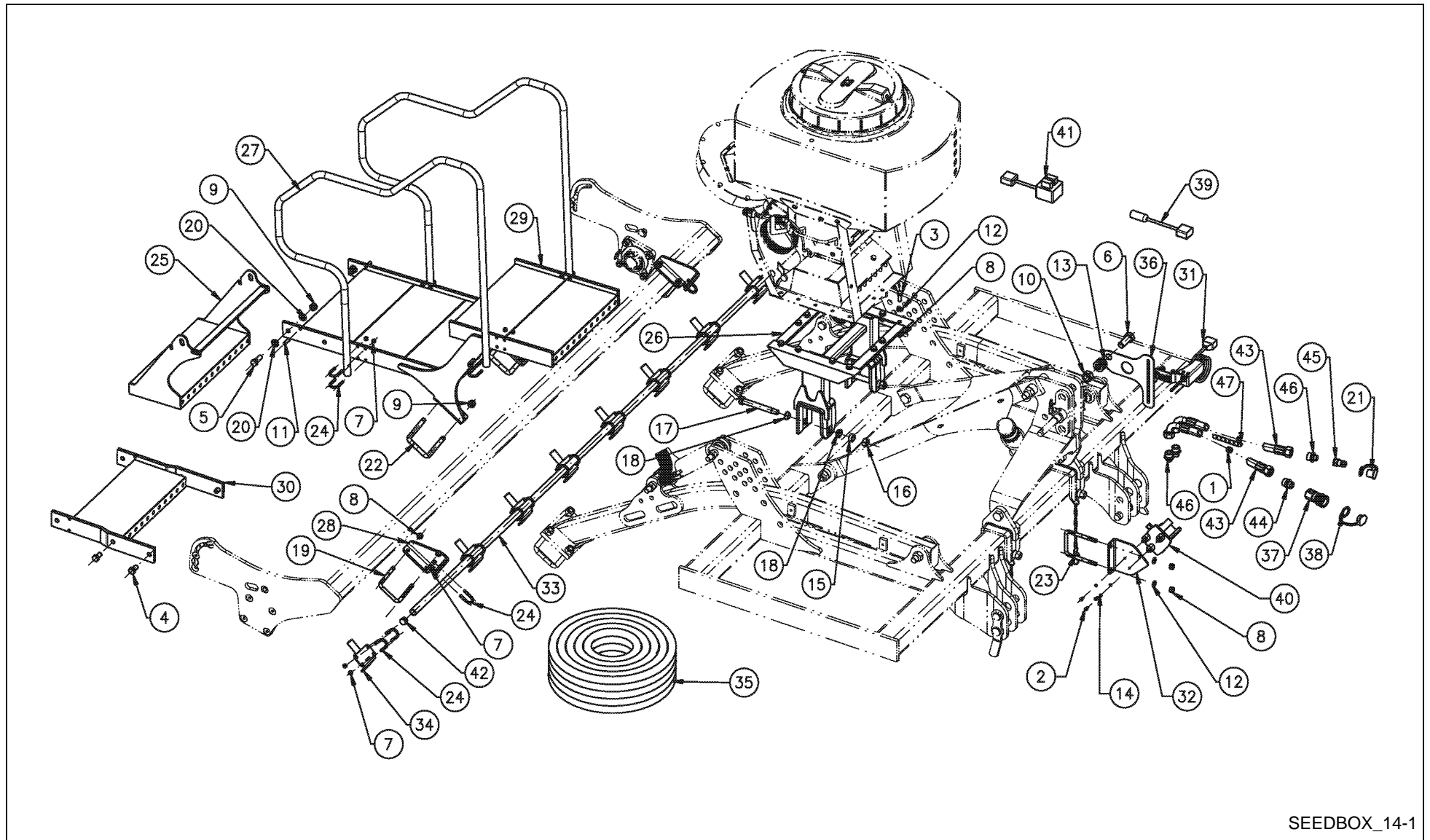


SEEDBOX\_14-1

## A-DRILL / SEEDBOX ON QUALIDISC & QUALIDISC FARMER RIGID

PosNo.	Part No.	Qty.	Description	Remark
1	AC351793		HYDRAULIC TUBE CLIP 16,5 - 24,0 ( WHITE	
2	KG00468761		HEX. SCREW M6X16 8.8	
3	KG00476661		HEX. SCREW M12X35 8.8	
4	KG00480000		HEX. SCREW M16X30 8.8	
5	KG00480361		HEX. SCREW M16X45 8.8	
6	KG00486361		HEX. SCREW M24X60 8.8	
7	KG01067561		LOCK NUT M8 8	
8	KG01067761		LOCK NUT M12 8	
9	KG01067961		LOCK NUT M16 8	
10	KG01068361		LOCK NUT M24 8	
11	KG01193962		TENSION PIN 10X40	
12	KG01267561		WASHER M12	
13	KG01268161		WASHER M24	
14	KG01277461		SPRING WASHER M6	
15	KK010170		BUSHING D30 X D21	
16	KK015830		NUT M20	
17	KK032813		HEX BOLT M20X170 10.9	
18	KK301223		CONE D20.5-D32X12	
19	RF00910		U-BOLT M12 FOR PIPE 90X90 GALV.	
20	KG01267761		WASHER M16	
21	RF02772		CAP FOR PUSH PULL	
22	RF04030		U-BOLT DIAM.16 90X90	
23	RF18077		U-BOLT	
24	RF20444		YOKE FOR PAD DIA 25 ZINCED	
25	RF3097594		PIVOTING STEP	
26	RF3097994		HOPPER HOLDER	
27	RF3098094		HANDRAIL	
28	RF3098194		HOLDER FOR DISPERSION PLATE BAR	
29	RF3098794		PLATFORM ON ROLLER	
30	RF3099294		PLATFORM EXTENSION	
31	RF31174X0		UPPER LINKAGE 3RD PT START/STOP SENSOR	
32	RF3117694		ANGLE PLATE FOR RADAR SENSOR	
33	RF3136894		ROUND TUBE Ø26.9X2.3 LG 1800	2M00
33	RF3136994	1	ROUND TUBE Ø26.9X2.3 LG 2300	2M50
33	RF3137094		ROUND TUBE Ø26.9X2.3 LG 2800	3M00
33	RF3137194		ROUND TUBE Ø26.9X2.3 LG 3300	3M50
33	RF3137294		ROUND TUBE Ø26.9X2.3 LG 3800	4M00
34	RF3137961		WELDED DISPERSION PLATE	
35	RF31470		PIPE Ø30 / METER	
36	RF3147194		3 POINT LINKAGE SENSOR BRACKET	

# A-DRILL / SEEDBOX ON QUALIDISC & QUALIDISC FARMER RIGID



SEEDBOX\_14-1

## A-DRILL / SEEDBOX ON QUALIDISC & QUALIDISC FARMER RIGID



PosNo.	Part No.	Qty.	Description	Remark
37	RF31569		FEMALE QUICK RELEASE COUPLING 3/4	
38	RF31572		FEMALE PLASTIC PLUG COUPLING 3/4	
39	RF31574		7 PIN CONNECTOR FOR VERSION 5.2	
40	RF31575		RADAR SENSOR	
41	RF31576		Y CABLE TO CONNECT 2 SENSORS ON CB	
42	RF31736		ROUND TUBE Ø26.9 CAP	
43	RF31963		HOSE HH2SC19 N00-22L_N90-22L 03000	
44	RF31965		HYDRAULIC COUPLER	
45	RF32002		HF - QC - PP - 12.5 - 1/2 BSP	
46	RF32003		HYDRAULIC COUPLER	
47	RFGAINE024		SPIRAL FLEXIBLE SHEATH 16X1 INT. 13	



## A-DRILL / SEEDBOX ON QUALIDISC & QUALIDISC FARMER FOLD

PosNo.	Part No.	Qty.	Description	Remark
1	A135027763		TENSION SPRING Ø25 LENGHT 100	
2	A135027894		HANDRAIL	
3	A135027963		WASHER M12X2.5 200 HV	
4	A135028094		PIPE HOLDER ON QUALI	
5	A135028194		CHAIN HOLDER	
6	A135028394		SIDE PLATE	
7	A135028494		HOPPER HOLDER CLC PRO QUALI	
8	A135519561		BUSH Ø12 Ø9 LENGHT 32	
9	A135519694		UPPER STAIR	
10	A135519794		LOWER STAIR	
11	AC351793		HYDRAULIC TUBE CLIP 16,5 - 24,0 ( WHITE	
12	AC494726		PRESSURE SPRING GALVANIZED	
13	KG00353161		HEX. BOLT M8X35 8.8	
14	KG00358261		HEX. BOLT M12X90 8.8	
15	KG00362161		HEX. BOLT M16X60 8.8	
16	KG00366661		HEX. BOLT M20X70 8.8	
17	KG00472761		HEX. SCREW M8X55 8.8	
18	KG00476561		HEX. SCREW M12X30 8.8	
19	KG00480161		HEX. SCREW M16X35 8.8	
20	KG00480361		HEX. SCREW M16X45 8.8	
21	KG01050561		HEX. NUT M12 10	
22	KG01067561		LOCK NUT M8 8	
23	KG01067761		LOCK NUT M12 8	
24	KG01067961		LOCK NUT M16 8	
25	KG01068161		LOCK NUT M20 8	
26	KG01189662		TENSION PIN 6X40	
27	KG01267361		WASHER M8	
28	RF00910		U-BOLT M12 FOR PIPE 90X90 GALV.	
29	RF02772		CAP FOR PUSH PULL	
30	RF20444		YOKE FOR PAD DIA 25 ZINCED	
31	RF3098194		HOLDER FOR DISPERSION PLATE BAR	
32	RF3123461		BUSH Ø27 X Ø17 LG 16	
33	RF3136894		ROUND TUBE Ø26.9X2.3 LG 1800	4M00
33	RF3136994		ROUND TUBE Ø26.9X2.3 LG 2300	5M00
33	RF3137094		ROUND TUBE Ø26.9X2.3 LG 2800	6M00
34	RF3137961		WELDED DISPERSION PLATE	
35	RF3146061		BENT PIN Ø16	
36	RF31470		PIPE Ø30 / METER	
37	RF3149594		PLATFORM	
38	RF31514		SPRING PLUNGER M12 HEXAGON SOCKET	

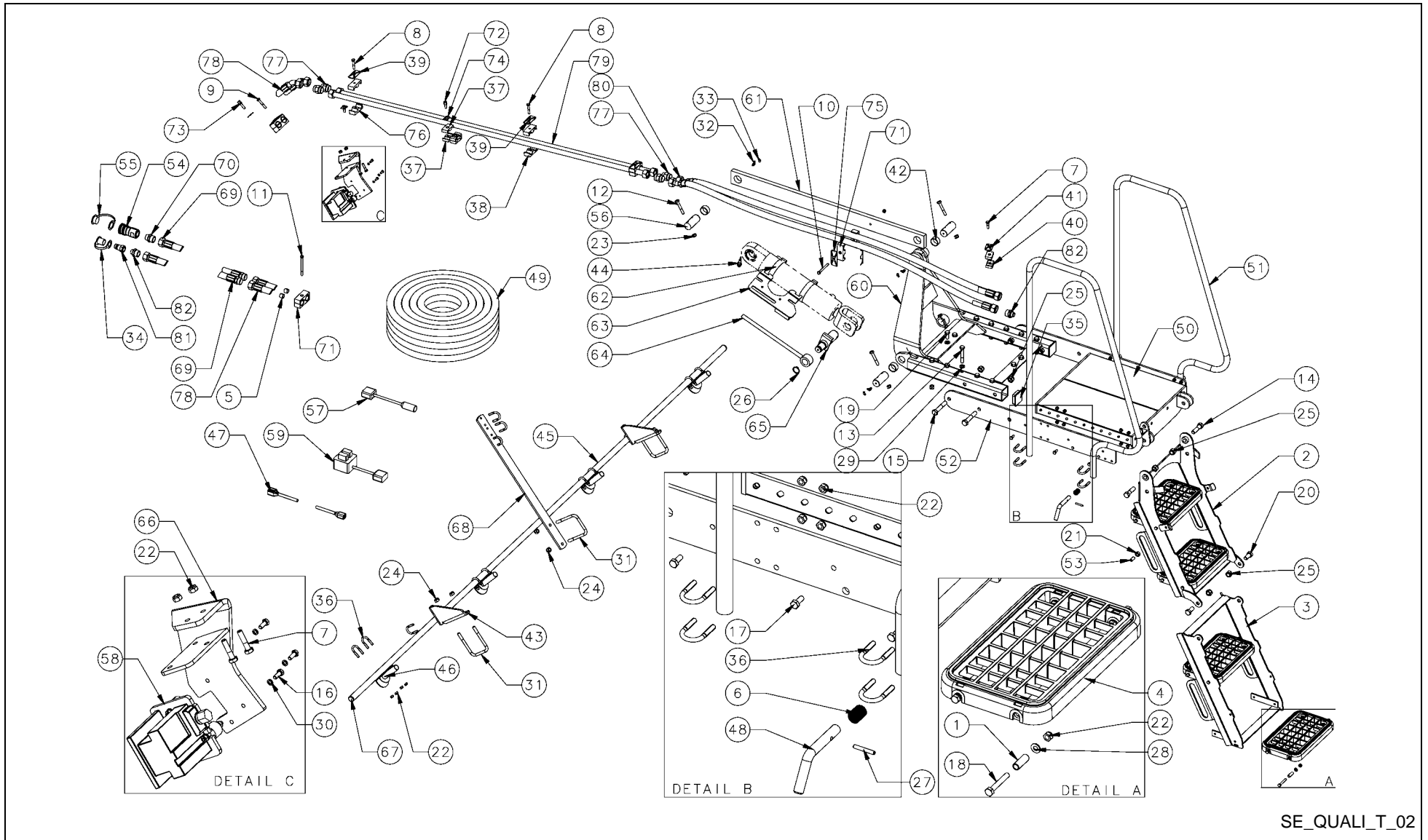


# A-DRILL / SEEDBOX ON QUALIDISC & QUALIDISC FARMER FOLD



PosNo.	Part No.	Qty.	Description	Remark
39	A135607600		SEED BOX EQUIPMENT CHAIN LENGHT 5 M	
40	RF31517		QUICK LINK Ø5	
41	RF31569		FEMALE QUICK RELEASE COUPLING 3/4	
42	RF31572		FEMALE PLASTIC PLUG COUPLING 3/4	
43	RF31736		ROUND TUBE Ø26.9 CAP	
44	RF31962		HOSE HH2SC19 N00-22L_D00-22L 01000	
45	RF31963		HOSE HH2SC19 N00-22L_N90-22L 03000	
46	RF31965		HYDRAULIC COUPLER	
47	RF31966		HALF HOSE CLIP TWIN Ø27	
48	RF31973		BLADE FOR HOSE CLIP Ø27-28-30	
49	RF32002		HF - QC - PP - 12.5 - 1/2 BSP	
50	RF32003		HYDRAULIC COUPLER	
51	A139215097		STEP 200X340	

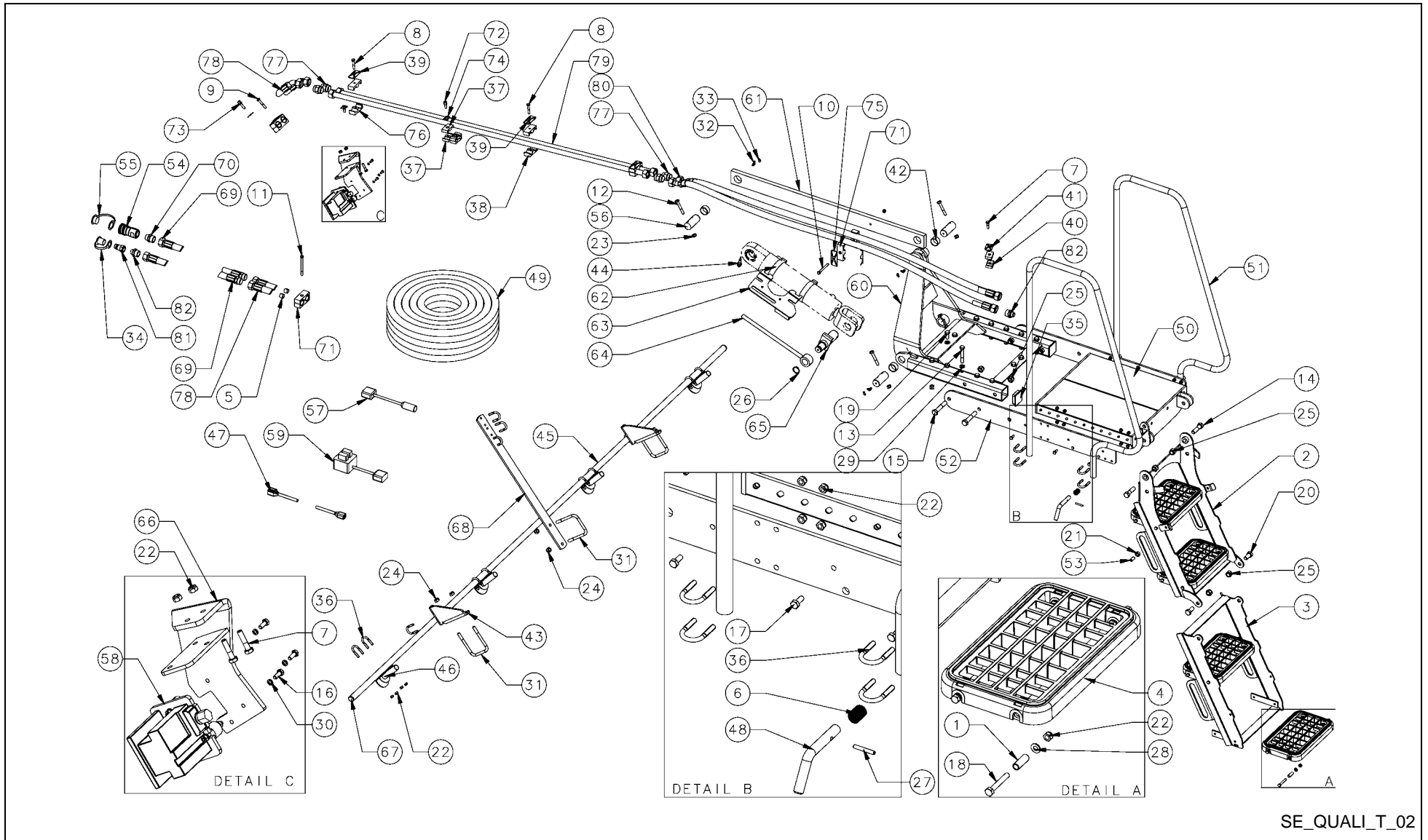
# A-DRILL / SEED BOX ON QUALIDISC T



## A-DRILL / SEED BOX ON QUALIDISC T

PosNo.	Part No.	Qty.	Description	Remark
1	A135519561		BUSH Ø12 Ø9 LENGHT 32	
2	A135519694		UPPER STAIR	
3	A135519794		LOWER STAIR	
4	A139215097		STEP 200X340	
5	AC351793		HYDRAULIC TUBE CLIP 16,5 - 24,0 ( WHITE	
6	AC494726		PRESSURE SPRING GALVANIZED	
7	KG00353161		HEX. BOLT M8X35 8.8	
8	KG00353361		HEX. BOLT M8X45 8.8	
9	KG00353461		HEX. BOLT M8X50 8.8	
10	KG00354061		HEX. BOLT M8X80 8.8	
11	KG00354261		HEX. BOLT M8X100 8.8	
12	KG00355761		HEX. BOLT M10X65 8.8	
13	KG00358161		HEX. BOLT M12X80 8.8	
14	KG00362161		HEX. BOLT M16X60 8.8	
15	KG00362661		HEX. BOLT M16X90 8.8	
16	KG00468761		HEX. SCREW M6X16 8.8	
17	KG00471961		HEX. SCREW M8X20 8.8	
18	KG00472761		HEX. SCREW M8X55 8.8	
19	KG00476561		HEX. SCREW M12X30 8.8	
20	KG00480161		HEX. SCREW M16X35 8.8	
21	KG01050561		HEX. NUT M12 10	
22	KG01067561		LOCK NUT M8 8	
23	KG01067661		LOCK NUT M10 8	
24	KG01067761		LOCK NUT M12 8	
25	KG01067961		LOCK NUT M16 8	
26	KG01108862		CIRCLIP-A 30 X 1.5	
27	KG01189662		TENSION PIN 6X40	
28	KG01267361		WASHER M8	
29	KG01267561		WASHER M12	
30	KG01277461		SPRING WASHER M6	
31	RF00910		U-BOLT M12 FOR PIPE 90X90 GALV.	
32	RF02342		GREASE NIPPLE	
33	RF02345		GREASE NIPPLE MARKER GPN 985	
34	RF02772		CAP FOR PUSH PULL	
35	RF03790		CAP	
36	RF20444		YOKE FOR PAD DIA 25 ZINCED	
37	RF29247		HALF HOSE CLIP TWIN Ø15	
38	RF29250		HALF HOSE CLIP TWIN Ø20	
39	RF29251		BLADE FOR HOSE CLIP N3	
40	RF29289		HOSE CLIP TWIN Ø12	

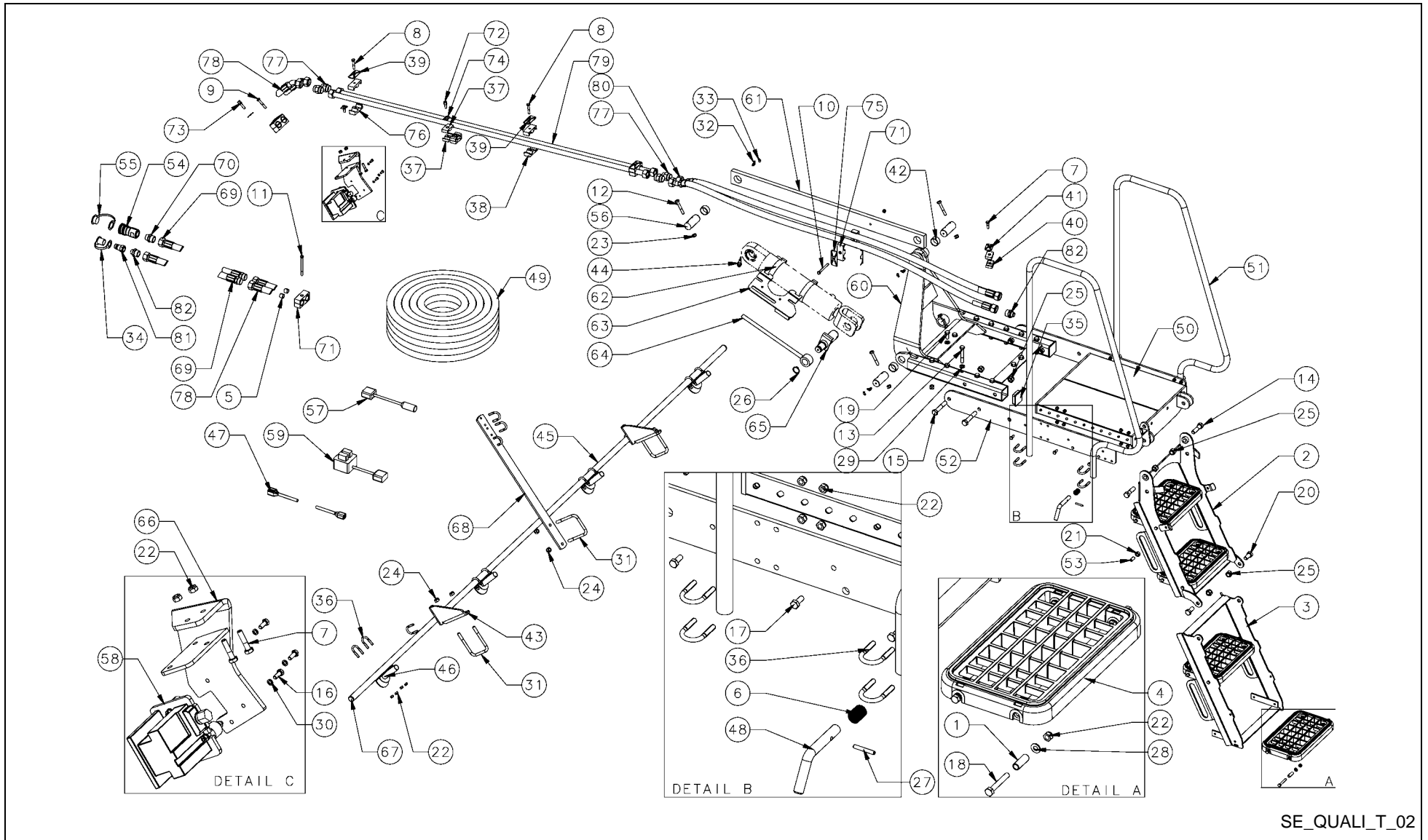
# A-DRILL / SEED BOX ON QUALIDISC T



## A-DRILL / SEED BOX ON QUALIDISC T

PosNo.	Part No.	Qty.	Description	Remark
41	RF29290		BLADE FOR HOSE CLIP N1	
42	RF29848		RING 35-39 LENGHT 20	
43	RF3098194		HOLDER FOR DISPERSION PLATE BAR	
44	RF31175		START/STOP INDUCTIVE SENSOR	
45	RF3136894		ROUND TUBE Ø26.9X2.3 LG 1800	4M00
45	RF3136994		ROUND TUBE Ø26.9X2.3 LG 2300	5M00
45	RF3137094		ROUND TUBE Ø26.9X2.3 LG 2800	6M00
45	RF3137194		ROUND TUBE Ø26.9X2.3 LG 3300	7M00
46	RF3137961		WELDED DISPERSION PLATE	
47	RF31433		CABLE EXTENSION 5.00 M (6 PIN)	
48	RF3146061		BENT PIN Ø16	
49	RF31470		PIPE Ø30 / METER	
50	RF3149594		PLATFORM	
51	RF3150194		HANDRAIL	
52	RF3150294		SIDE PLATE	
53	RF31514		SPRING PLUNGER M12 HEXAGON SOCKET	
54	RF31569		FEMALE QUICK RELEASE COUPLING 3/4	
55	RF31572		FEMALE PLASTIC PLUG COUPLING 3/4	
56	RF3157361		PIN Ø35	
57	RF31574		7 PIN CONNECTOR FOR VERSION 5.2	
58	RF31575		RADAR SENSOR	
59	RF31576		Y CABLE TO CONNECT 2 SENSORS ON CB	
60	RF3158194		HOPPER HOLDER	
61	RF3158994		ROD FOR SEED BOX	
62	RF31590		CLAMP COLLAR Ø98-Ø103	
63	RF3159186		SENSOR BRACKET Ø100	
64	RF3159361		WELDED ROD	
65	RF3159661		WELDED PIN Ø40	
66	RF3173494		RADAR HOLDER	
67	RF31736		ROUND TUBE Ø26.9 CAP	
68	RF3174294		PIPE HOLDER	
69	RF31962		HOSE HH2SC19 N00-22L_D00-22L 01000	
70	RF31965		HYDRAULIC COUPLER	
71	RF31966		HALF HOSE CLIP TWIN Ø27	
72	KG00354161		HEX. BOLT M8X90 8.8	
73	RF31969		INTERMEDIARY SCREW M8X30	
74	KG01277561		SPRING WASHER M8	
75	RF31973		BLADE FOR HOSE CLIP Ø27-28-30	
76	RF31994		HALF HOSE CLIP TWIN Ø22	
77	RF31995		HYDRAULIC COUPLER	

# A-DRILL / SEED BOX ON QUALIDISC T

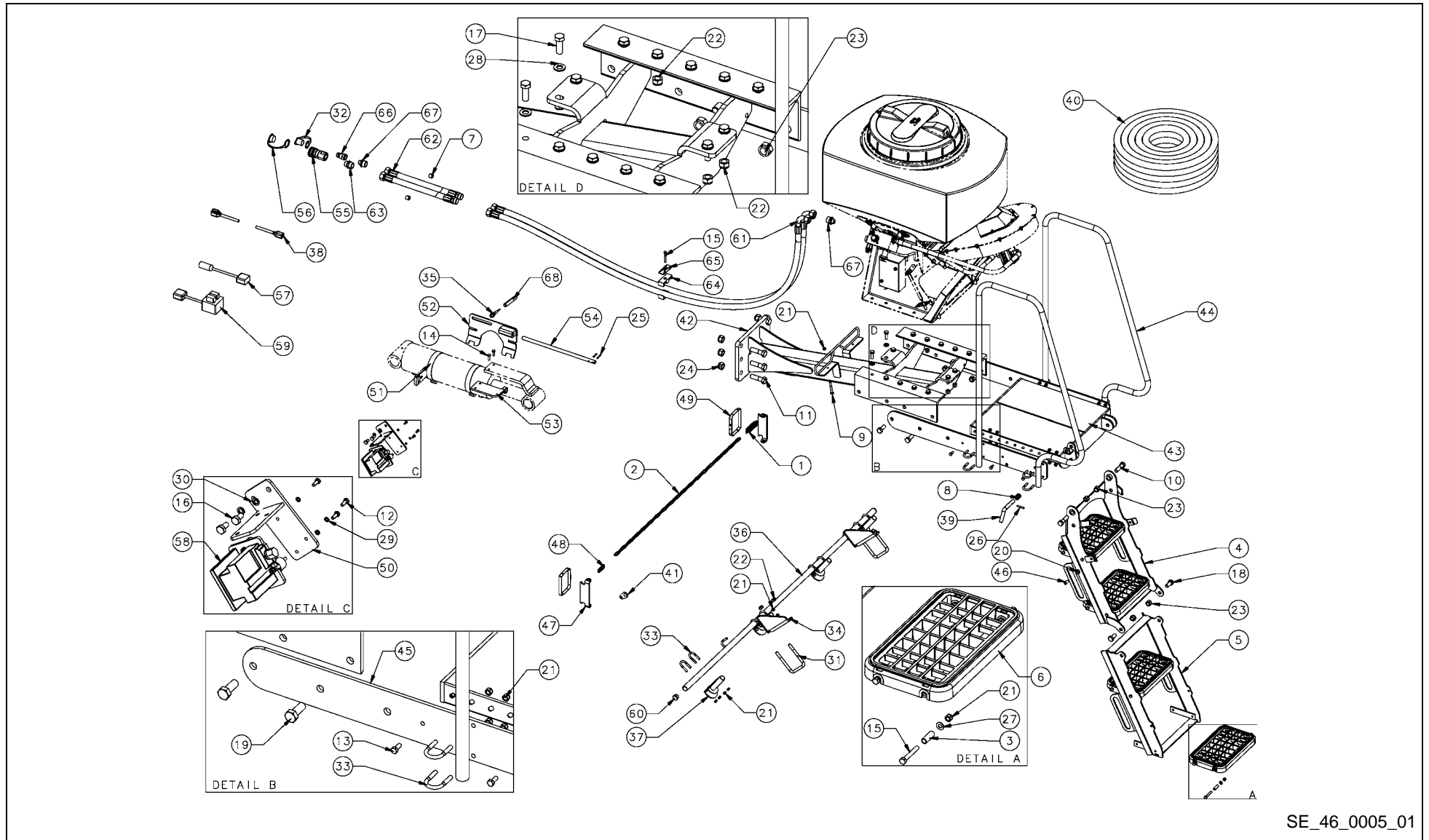


# A-DRILL / SEED BOX ON QUALIDISC T



PosNo.	Part No.	Qty.	Description	Remark
78	RF31996		HOSE HH2SC19 N00-22L_N45-22L 04800	
79	RF31997		HYD. TUBE Ø18/Ø22 22L_22L LG 1690	
80	RF31998		HOSE HH2SC19 N00-22L_N45-22L 01700	
81	RF32002		HF - QC - PP - 12.5 - 1/2 BSP	
82	RF32003		HYDRAULIC COUPLER	

# A-DRILL / SEED BOX ON CTC

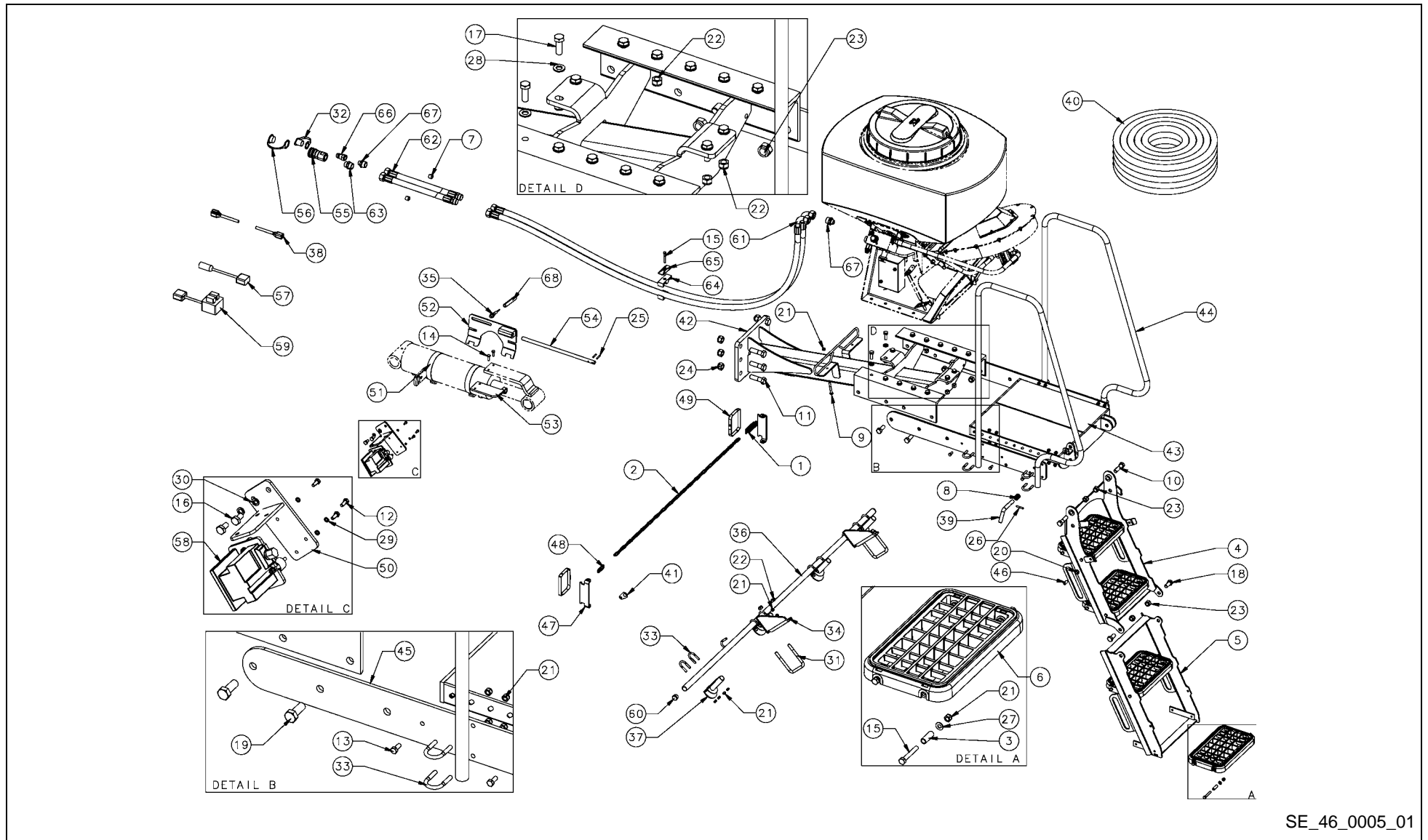


SE\_46\_0005\_01

## A-DRILL / SEED BOX ON CTC

PosNo.	Part No.	Qty.	Description	Remark
1	A135027763		TENSION SPRING Ø25 LENGHT 100	
2	A135607600		SEED BOX EQUIPMENT CHAIN LENGHT 5 M	
3	A135519561		BUSH Ø12 Ø9 LENGHT 32	
4	A135519694		UPPER STAIR	
5	A135519794		LOWER STAIR	
6	A139215097		STEP 200X340	
7	AC351793		HYDRAULIC TUBE CLIP 16,5 - 24,0 ( WHITE	
8	AC494726		PRESSURE SPRING GALVANIZED	
9	KG00353661		HEX. BOLT M8X60 8.8	
10	KG00362161		HEX. BOLT M16X60 8.8	
11	KG00366661		HEX. BOLT M20X70 8.8	
12	KG00468761		HEX. SCREW M6X16 8.8	
13	KG00471961		HEX. SCREW M8X20 8.8	
14	KG00472161		HEX. SCREW M8X25 8.8	
15	KG00472761		HEX. SCREW M8X55 8.8	
16	KG00474061		HEX. SCREW M10X20 8.8	
17	KG00476661		HEX. SCREW M12X35 8.8	
18	KG00480161		HEX. SCREW M16X35 8.8	
19	KG00480261		HEX. SCREW M16X40 8.8	
20	KG01050561		HEX. NUT M12 10	
21	KG01067561		LOCK NUT M8 8	
22	KG01067761		LOCK NUT M12 8	
23	KG01067961		LOCK NUT M16 8	
24	KG01068161		LOCK NUT M20 8	
25	KG01189462		TENSION PIN 6X30	
26	KG01189662		TENSION PIN 6X40	
27	KG01267361		WASHER M8	
28	KG01267561		WASHER M12	
29	KG01277461		SPRING WASHER M6	
30	KG01277661		SPRING WASHER M10	
31	RF00910		U-BOLT M12 FOR PIPE 90X90 GALV.	
32	RF02772		CAP FOR PUSH PULL	
33	RF20444		YOKE FOR PAD DIA 25 ZINCED	
34	RF3098194		HOLDER FOR DISPERSION PLATE BAR	
35	RF31175		START/STOP INDUCTIVE SENSOR	
36	RF3136894		ROUND TUBE Ø26.9X2.3 LG 1800	
37	RF3137961		WELDED DISPERSION PLATE	
38	RF31433		CABLE EXTENSION 5.00 M (6 PIN)	
39	RF3146061		BENT PIN Ø16	
40	RF31470		PIPE Ø30 / METER	

# A-DRILL / SEED BOX ON CTC



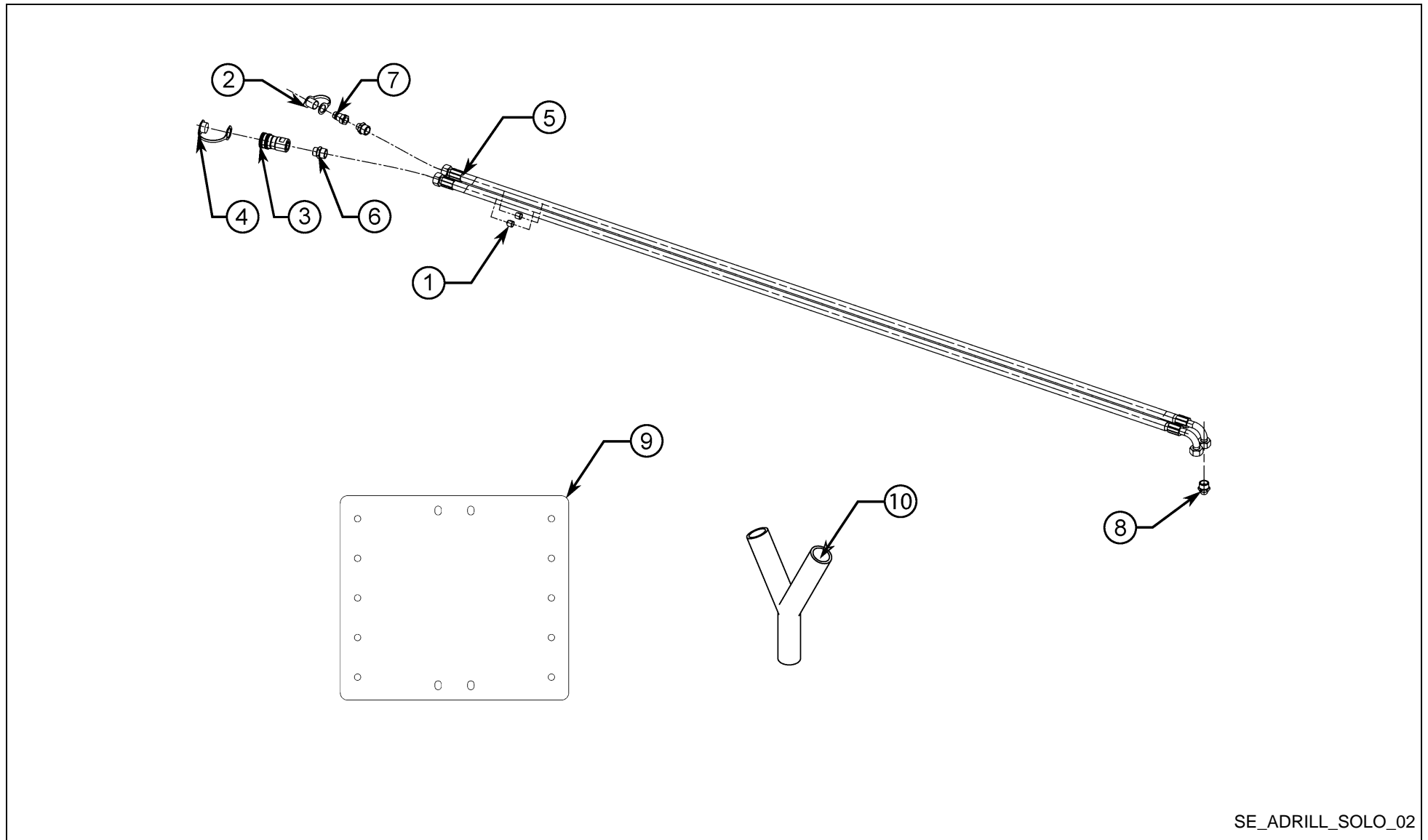
SE\_46\_0005\_01

## A-DRILL / SEED BOX ON CTC



PosNo.	Part No.	Qty.	Description	Remark
41	RF3147461		ATTACHMENT WASHER M16	
42	RF3147600		HOPPER SUPPORT	
43	RF3149594		PLATFORM	
44	RF3150194		HANDRAIL	
45	RF3150294		SIDE PLATE	
46	RF31514		SPRING PLUNGER M12 HEXAGON SOCKET	
47	RF3151594		CHAIN BRACKET	
48	RF31517		QUICK LINK Ø5	
49	RF31518		FULL BAND HOSE CLAMP Ø122-Ø142	
50	RF3155494		RADAR BRACKET	
51	RF31557		CLAMP COLLAR Ø140-Ø148	
52	RF3155894		SENSOR BRACKET Ø140	
53	RF3156194		ROD BRACKET	
54	RF3156461		ROD Ø16 LG 415	
55	RF31569		FEMALE QUICK RELEASE COUPLING 3/4	
56	RF31572		FEMALE PLASTIC PLUG COUPLING 3/4	
57	RF31574		7 PIN CONNECTOR FOR VERSION 5.2	
58	RF31575		RADAR SENSOR	
59	RF31576		Y CABLE TO CONNECT 2 SENSORS ON CB	
60	RF31736		ROUND TUBE Ø26.9 CAP	
61	RF31961		HOSE HH2SC19 N00-22L_N90-22L 11000	
62	RF31962		HOSE HH2SC19 N00-22L_D00-22L 01000	
63	RF31965		HYDRAULIC COUPLER	
64	RF31966		HALF HOSE CLIP TWIN Ø27	
65	RF31973		BLADE FOR HOSE CLIP Ø27-28-30	
66	RF32002		HF - QC - PP - 12.5 - 1/2 BSP	
67	RF32003		HYDRAULIC COUPLER	
68	RFGAINE027		SPLIT WIRE LOOM Ø11	

# A-DRILL / SEEDBOX ADAPTER KIT

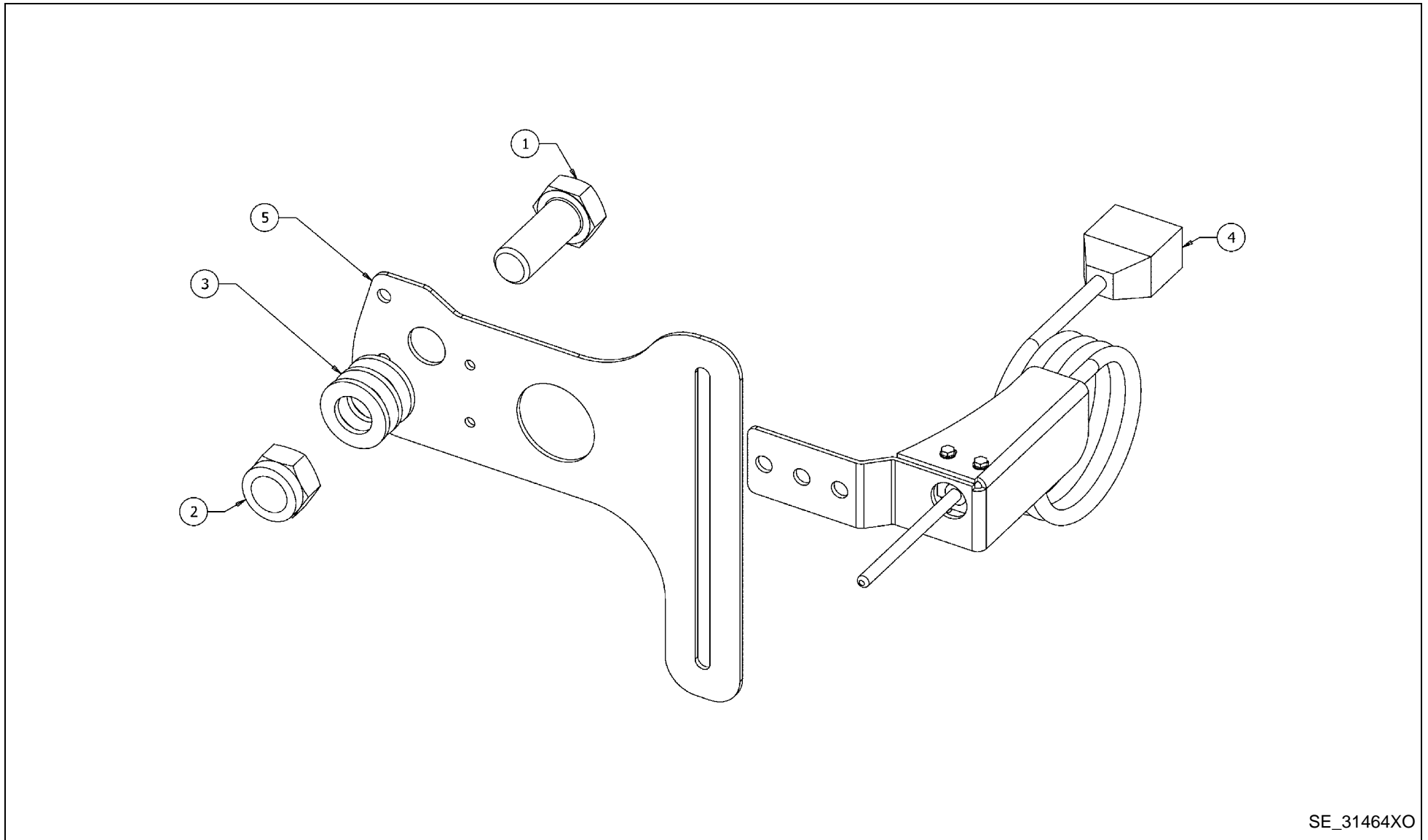


SE\_ADRILL\_SOLO\_02

**A-DRILL / SEEDBOX ADAPTER KIT**

PosNo.	Part No.	Qty.	Description	Remark
1	AC351793		HYDRAULIC TUBE CLIP 16,5 - 24,0 ( WHITE	
2	RF02772		CAP FOR PUSH PULL	
3	RF31569		FEMALE QUICK RELEASE COUPLING 3/4	
4	RF31572		FEMALE PLASTIC PLUG COUPLING 3/4	
5	RF31961		HOSE HH2SC19 N00-22L_N90-22L 11000	
6	RF31965		HYDRAULIC COUPLER	
7	RF32002		HF - QC - PP - 12.5 - 1/2 BSP	
8	RF32003		HYDRAULIC COUPLER	
9	A135114603		APV SEED BOX FIXATION PLATE	
10	A135395800		Y SPLITTER FOR SEED DISPERSION PLATE	

# A-DRILL / THREE-POINT HITCH SENSOR KIT (RIGID)



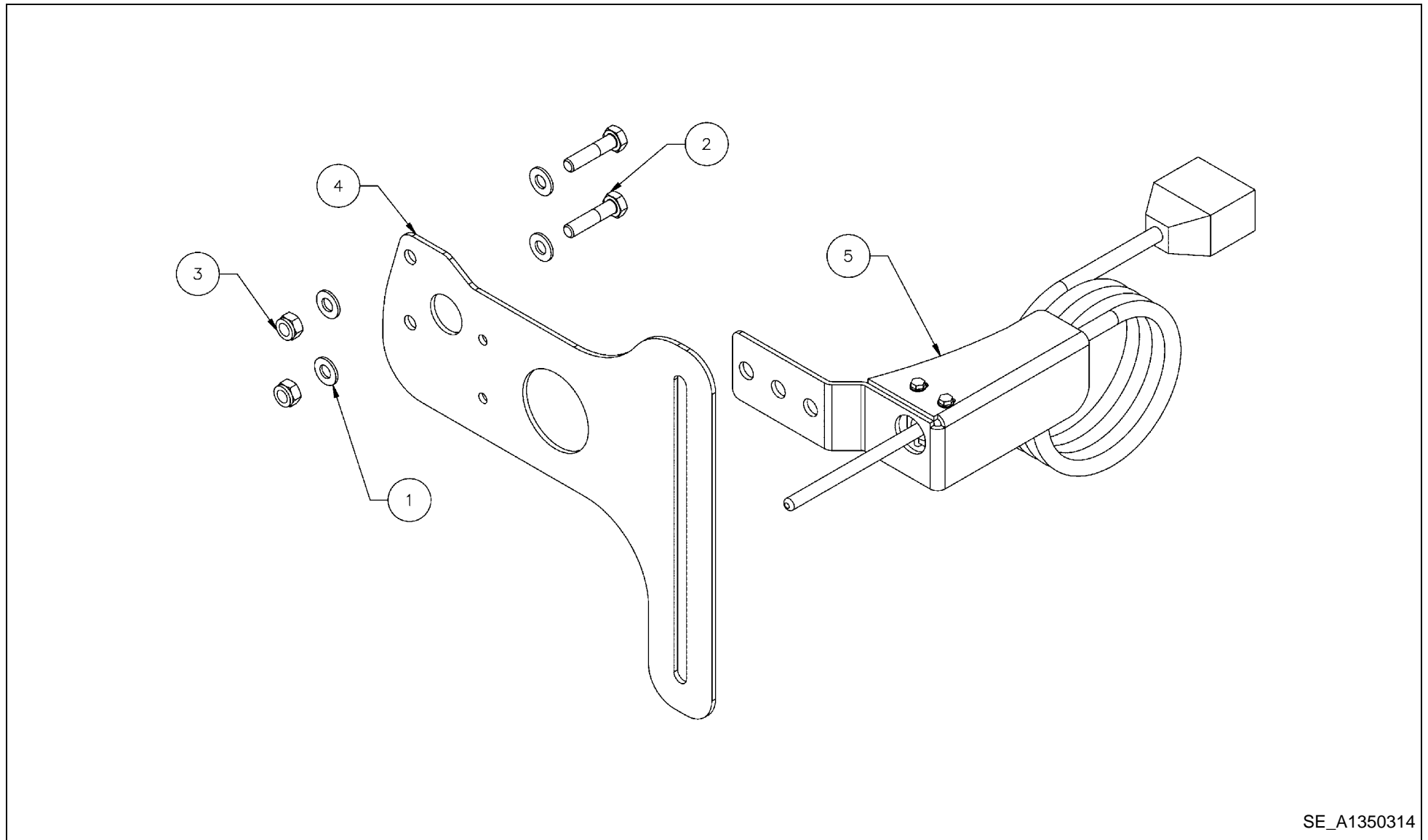
SE\_31464XO

## A-DRILL / THREE-POINT HITCH SENSOR KIT (RIGID)



PosNo.	Part No.	Qty.	Description	Remark
1	KG00486361		HEX. SCREW M24X60 8.8	
2	KG01068361		LOCK NUT M24 8	
3	KG01268161		WASHER M24	
4	RF31174X0		UPPER LINKAGE 3RD PT START/STOP SENSOR	
5	RF3147194		3 POINT LINKAGE SENSOR BRACKET	

# A-DRILL / THREE-POINT HITCH SENSOR KIT (FOLD)

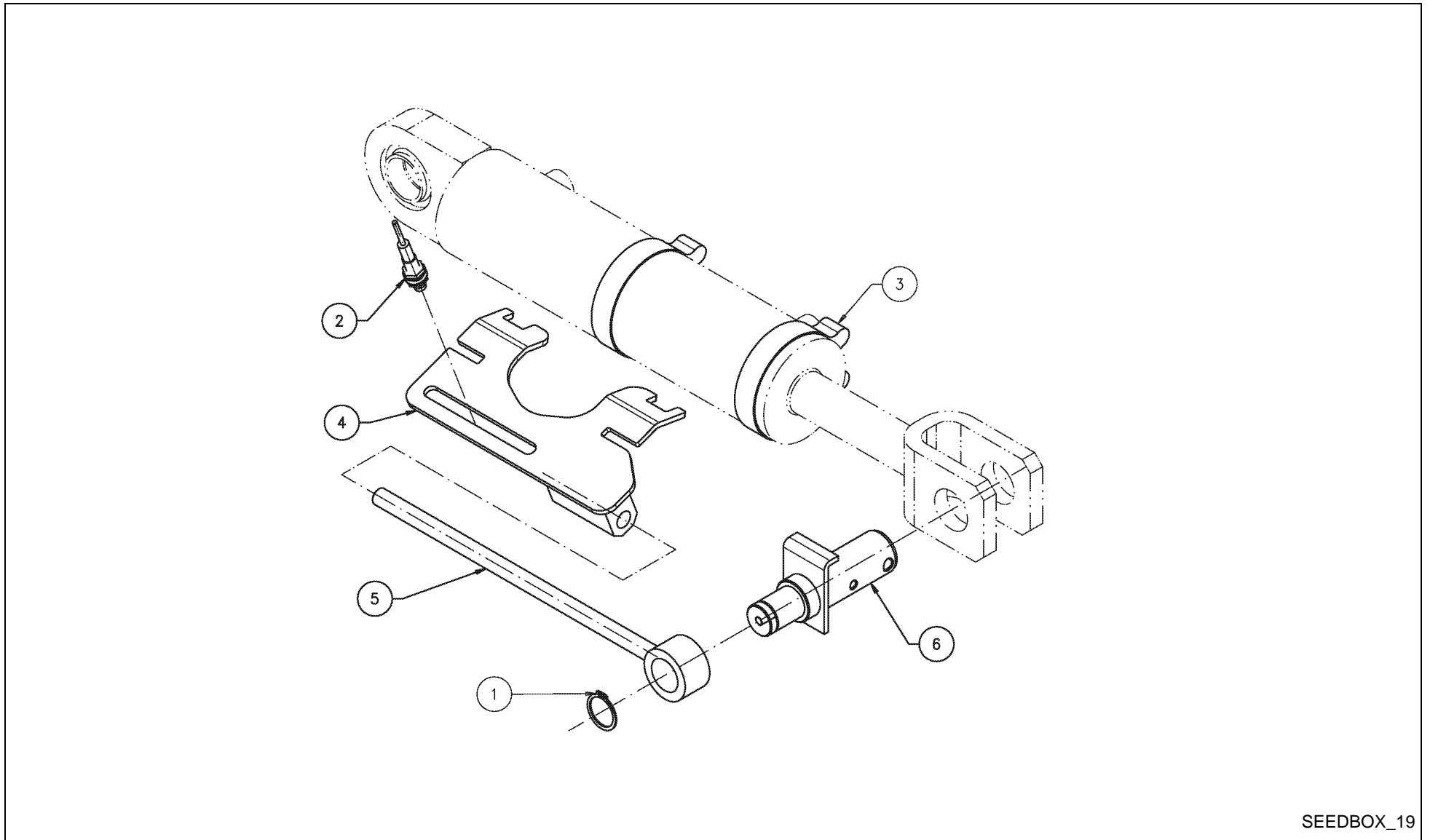


SE\_A1350314

## A-DRILL / THREE-POINT HITCH SENSOR KIT (FOLD)



PosNo.	Part No.	Qty.	Description	Remark
1	KG01267361		WASHER M8	
2	KG00353161		HEX. BOLT M8X35 8.8	
3	KG01067561		LOCK NUT M8 8	
4	RF3147194		3 POINT LINKAGE SENSOR BRACKET	
5	RF31174X0		UPPER LINKAGE 3RD PT START/STOP SENSOR	

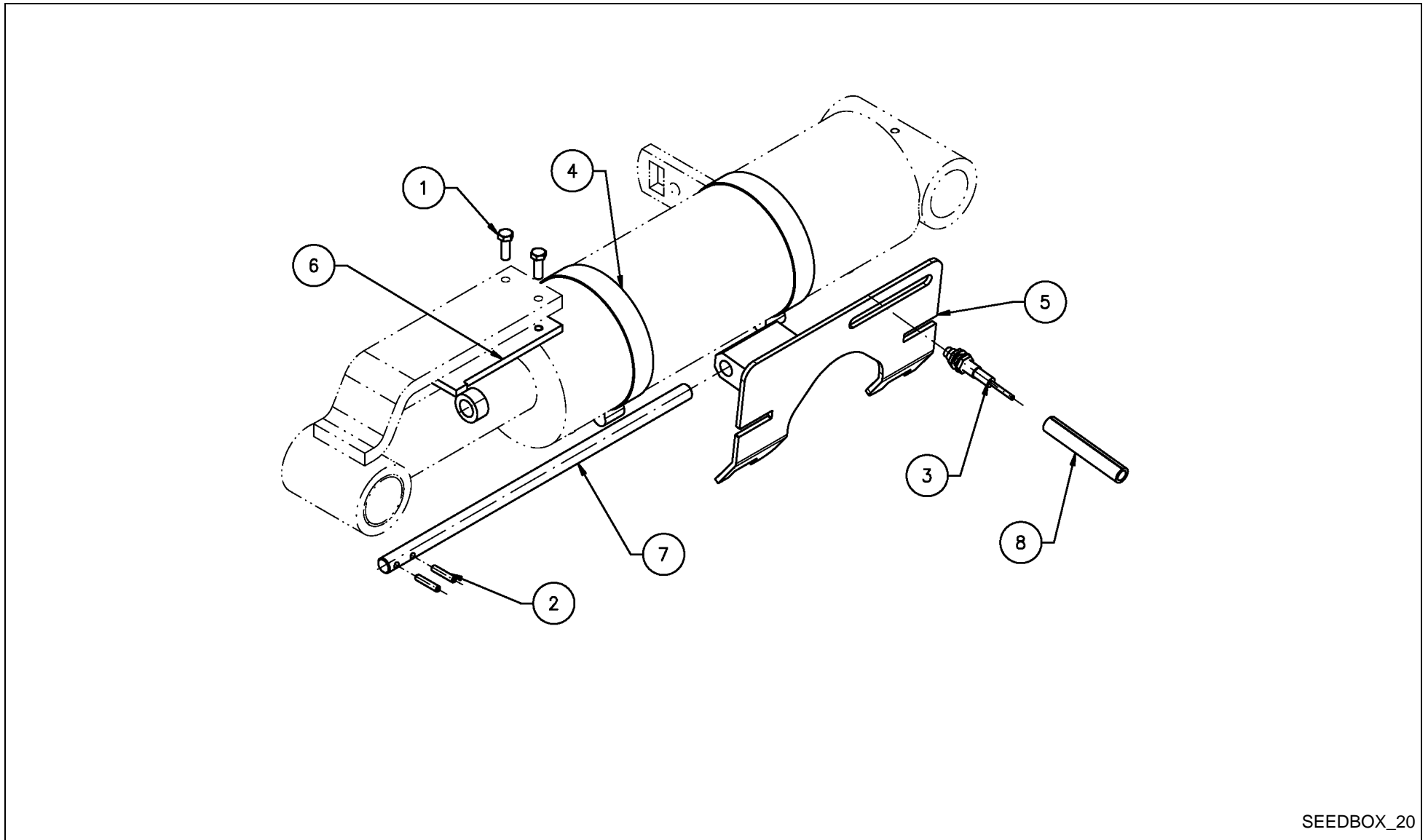


SEEDBOX\_19

# A-DRILL / START STOP SYSTEM ON QUALIDISC T



PosNo.	Part No.	Qty.	Description	Remark
1	KG01108862		CIRCLIP-A 30 X 1.5	
2	RF31175		START/STOP INDUCTIVE SENSOR	
3	RF31590		CLAMP COLLAR Ø98-Ø103	
4	RF3159186		SENSOR BRACKET Ø100	
5	RF3159361		WELDED ROD	
6	RF3159661		WELDED PIN Ø40	



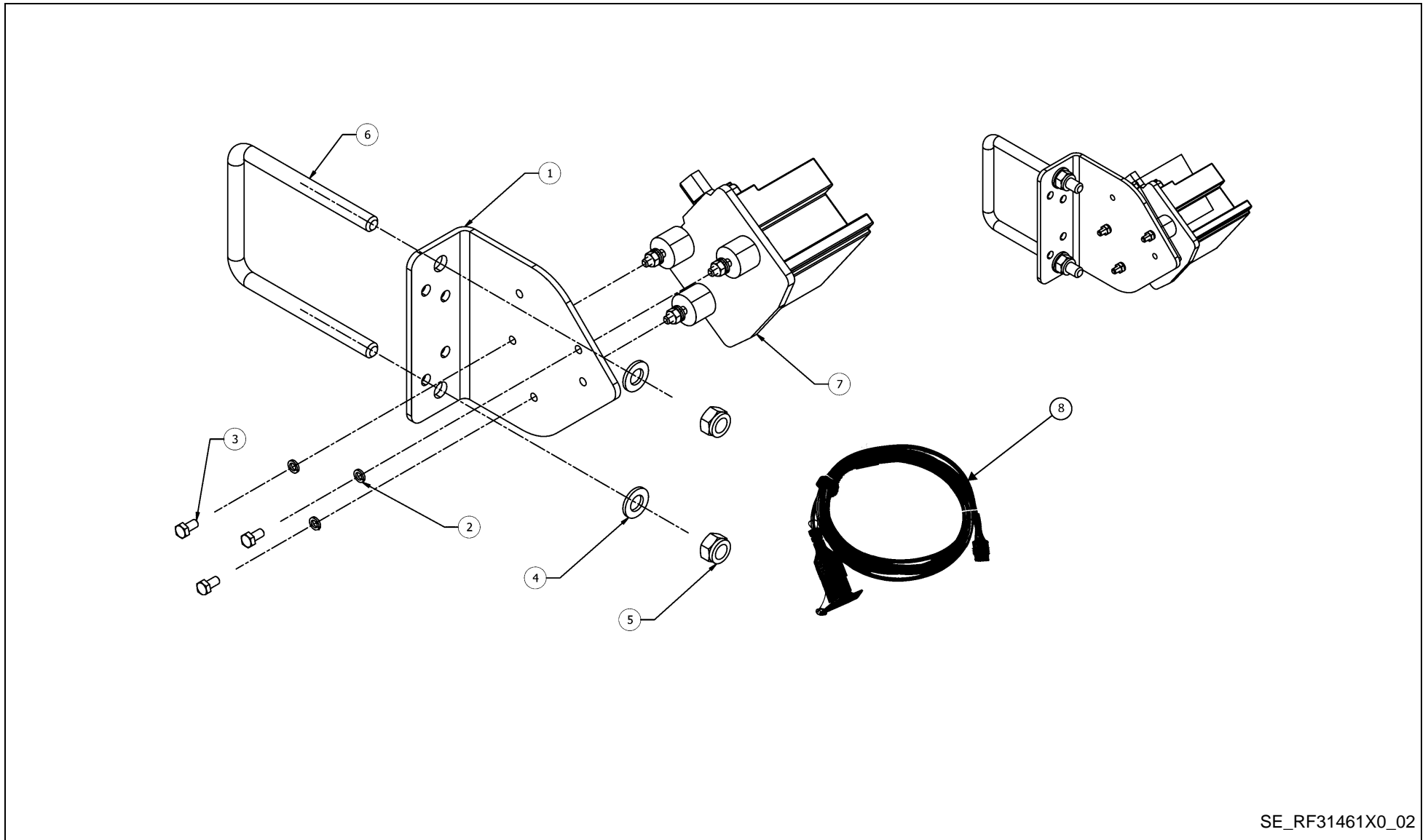
SEEDBOX\_20

## A-DRILL / START STOP SYSTEM ON CTC



PosNo.	Part No.	Qty.	Description	Remark
1	KG00472161		HEX. SCREW M8X25 8.8	
2	KG01189462		TENSION PIN 6X30	
3	RF31175		START/STOP INDUCTIVE SENSOR	
4	RF31557		CLAMP COLLAR Ø140-Ø148	
5	RF3155894		SENSOR BRACKET Ø140	
6	RF3156194		ROD BRACKET	
7	RF3156461		ROD Ø16 LG 415	
8	RFGAINE027		SPLIT WIRE LOOM Ø11	

# A-DRILL / RADAR KIT ON RIGID MOUNTED MACHINE



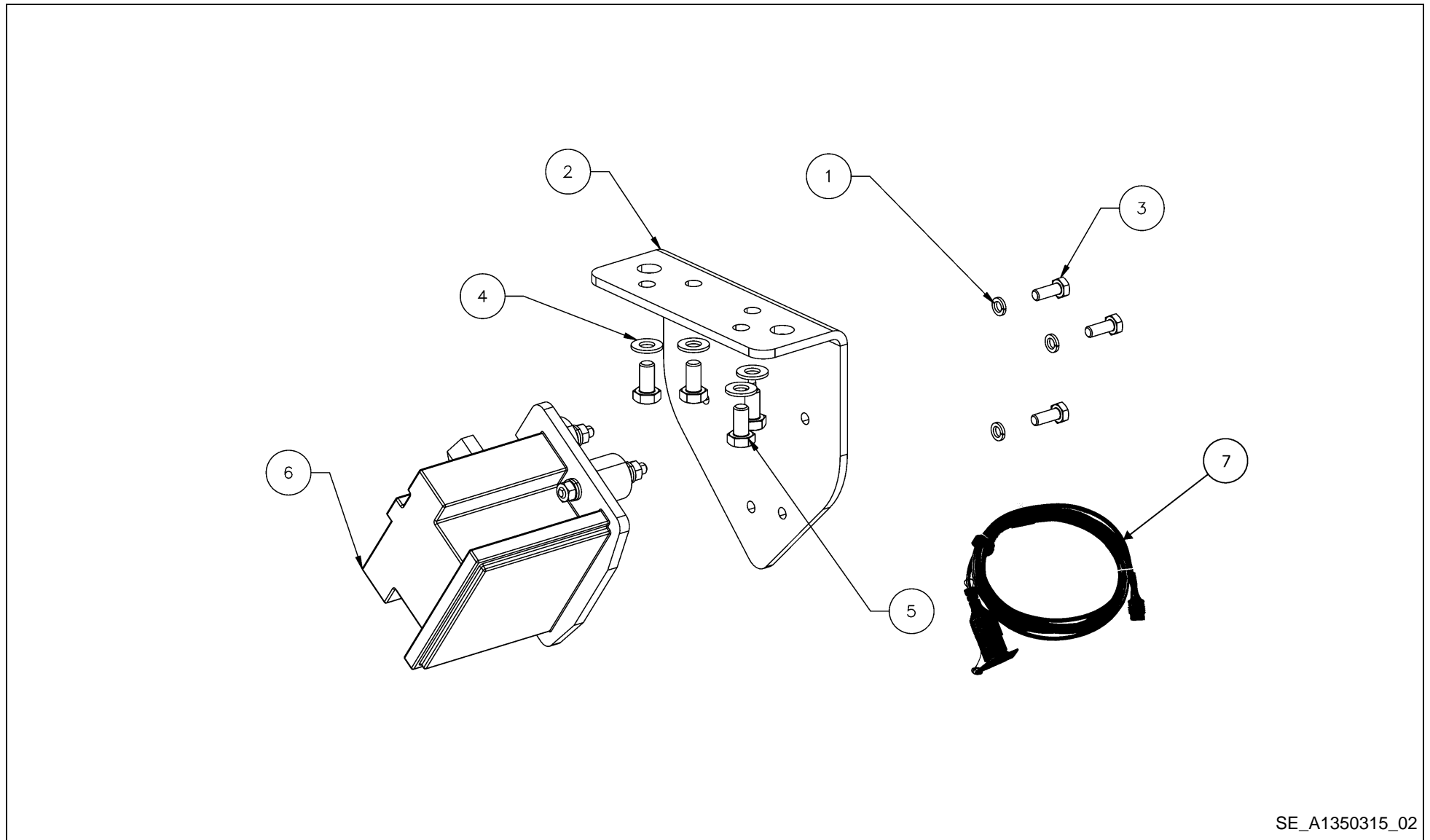
SE\_RF31461X0\_02

## A-DRILL / RADAR KIT ON RIGID MOUNTED MACHINE



PosNo.	Part No.	Qty.	Description	Remark
1	RF3117694		ANGLE PLATE FOR RADAR SENSOR	
2	KG01277461		SPRING WASHER M6	
3	KG00468561		HEX. SCREW M6X12 8.8	
4	KG01267561		WASHER M12	
5	KG01067761		LOCK NUT M12 8	
6	RF18077		U-BOLT	
7	RF31575		RADAR SENSOR	
8	A135556300		SEEDBOX RADAR CABLE	

# A-DRILL / RADAR KIT ON FOLDABLE MOUNTED MACHINE

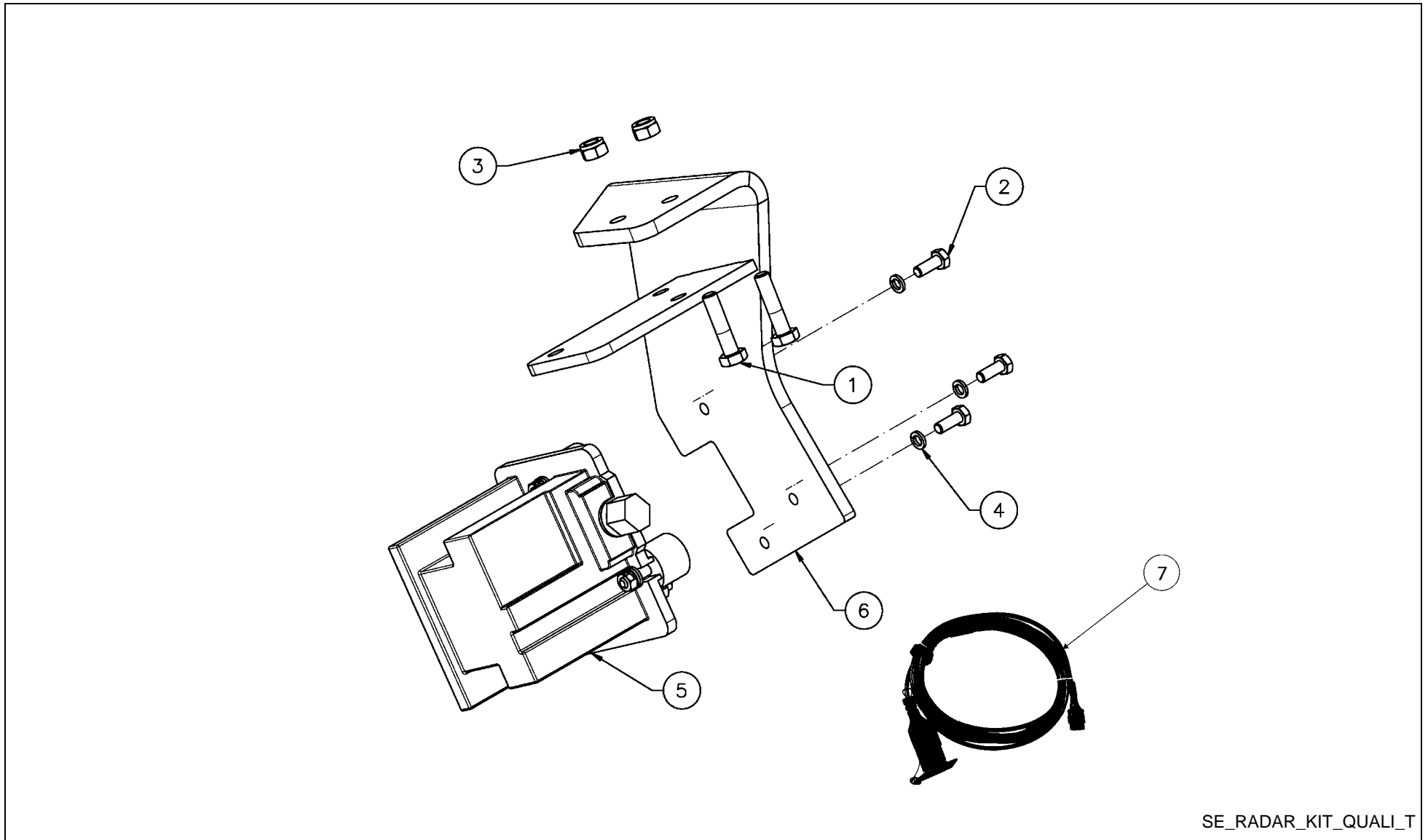


SE\_A1350315\_02

## A-DRILL / RADAR KIT ON FOLDABLE MOUNTED MACHINE



PosNo.	Part No.	Qty.	Description	Remark
1	KG01277461		SPRING WASHER M6	
2	RF3117694		ANGLE PLATE FOR RADAR SENSOR	
3	KG00468761		HEX. SCREW M6X16 8.8	
4	KG01267361		WASHER M8	
5	KG00471761		HEX. SCREW M8X16 8.8 GALV. DIN 933	
6	RF31575		RADAR SENSOR	
7	A135556300		SEEDBOX RADAR CABLE	

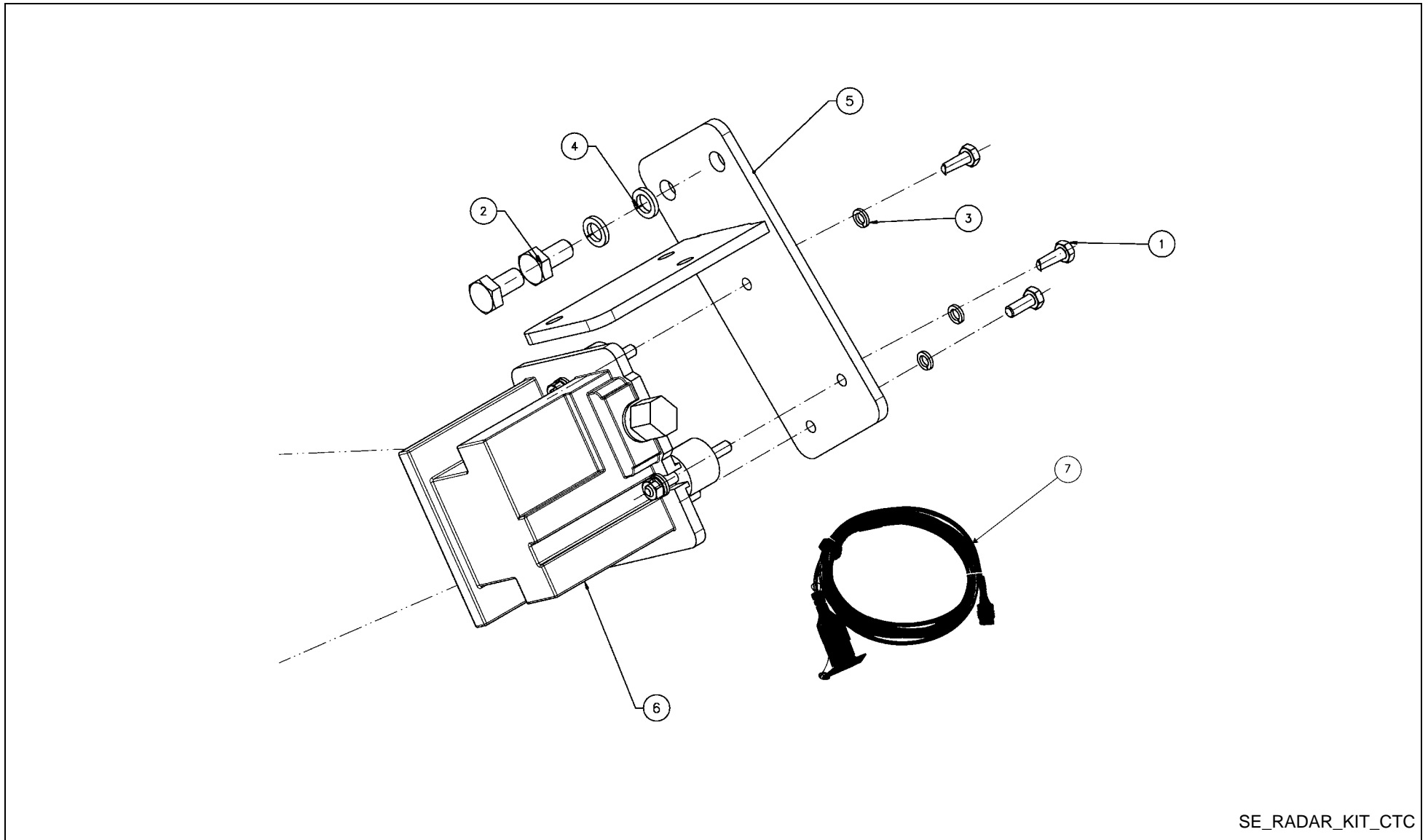


SE\_RADAR\_KIT\_QUALI\_T

# A-DRILL / RADAR KIT ON QUALIDISC T



PosNo.	Part No.	Qty.	Description	Remark
1	KG00353161		HEX. BOLT M8X35 8.8	
2	KG00468761		HEX. SCREW M6X16 8.8	
3	KG01067561		LOCK NUT M8 8	
4	KG01277461		SPRING WASHER M6	
5	RF31575		RADAR SENSOR	
6	RF3173494		RADAR HOLDER	
7	A135556300		SEEDBOX RADAR CABLE	

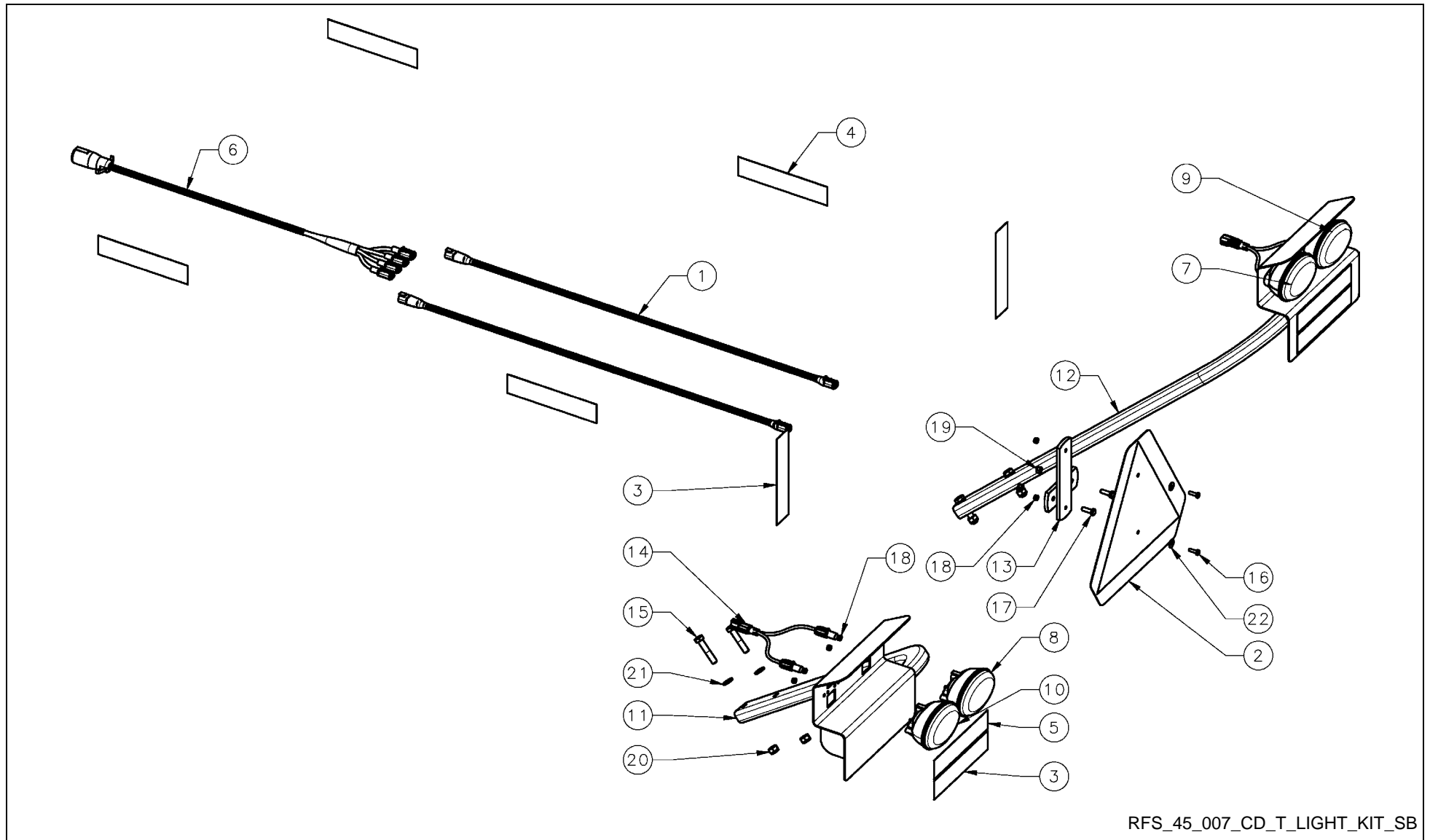


SE\_RADAR\_KIT\_CTC

**A-DRILL / RADAR KIT ON CTC**

PosNo.	Part No.	Qty.	Description	Remark
1	KG00468761		HEX. SCREW M6X16 8.8	
2	KG00474061		HEX. SCREW M10X20 8.8	
3	KG01277461		SPRING WASHER M6	
4	KG01277661		SPRING WASHER M10	
5	RF3155494		RADAR BRACKET	
6	RF31575		RADAR SENSOR	
7	A135556300		SEEDBOX RADAR CABLE	

# A-DRILL / ANSI LIGHTING KIT FOR QUALIDISC T

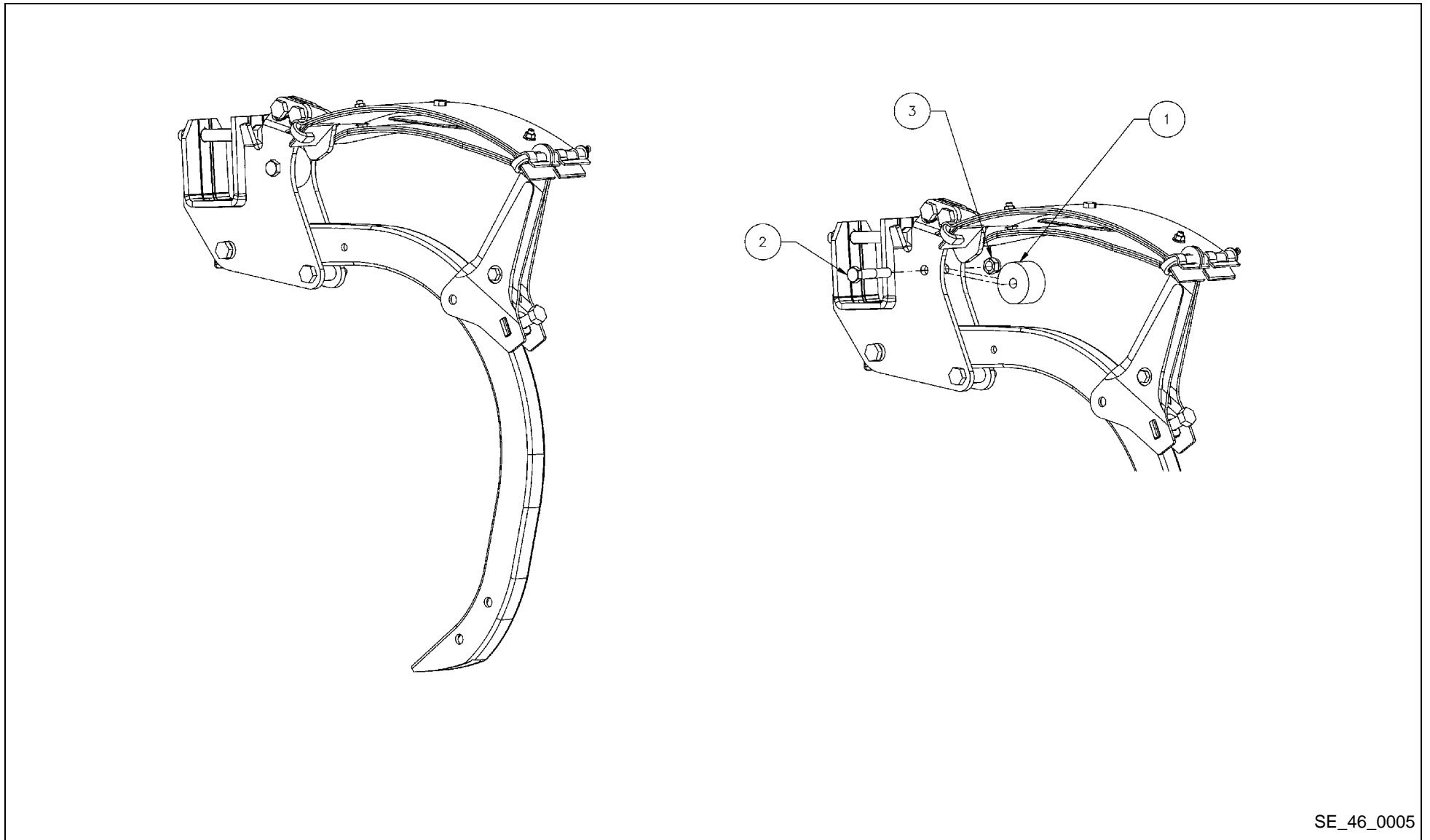


# A-DRILL / ANSI LIGHTING KIT FOR QUALIDISC T



PosNo.	Part No.	Qty.	Description	Remark
1	A135016300		EXTENSION + DT 4 WAY CONNECTOR 5500	
2	A135064400		SMV IDENTIFICATION	
3	A135064500		RED RETROREFLECTIVE STRIP	
4	A135064600		YELLOW RETROREFLECTIVE STRIP	
5	A135064700		ORANGE FLUORESCENT STRIP	
6	A135098200		LIGHTING SET 5500 NORTH AMERICA	
7	A135098500		REAR LIGHT SAE RIGHT	
8	A135098600		REAR LIGHT SAE LEFT	
9	A135098700		AWL LIGHT SAE RIGHT	
10	A135098800		AWL LIGHT SAE LEFT	
11	A135105594		REAR SIGN HOLDER LEFT NA	
12	A135105694		REAR SIGN HOLDER RIGHT NA	
13	A135107294		SUPPORT SMV PAINTED	
14	A135108400		CONNECTOR ADAPTOR	
15	KG00357761		HEX. BOLT M12X60 8.8	
16	KG00468961		HEX. SCREW M6X20 8.8	
17	KG00472161		HEX. SCREW M8X25 8.8	
18	KG01067361		LOCK NUT M6 8	
19	KG01067561		LOCK NUT M8 8	
20	KG01067761		LOCK NUT M12 8	
21	KG01267561		WASHER M12	
22	KG01900261		WASHER M6X18	

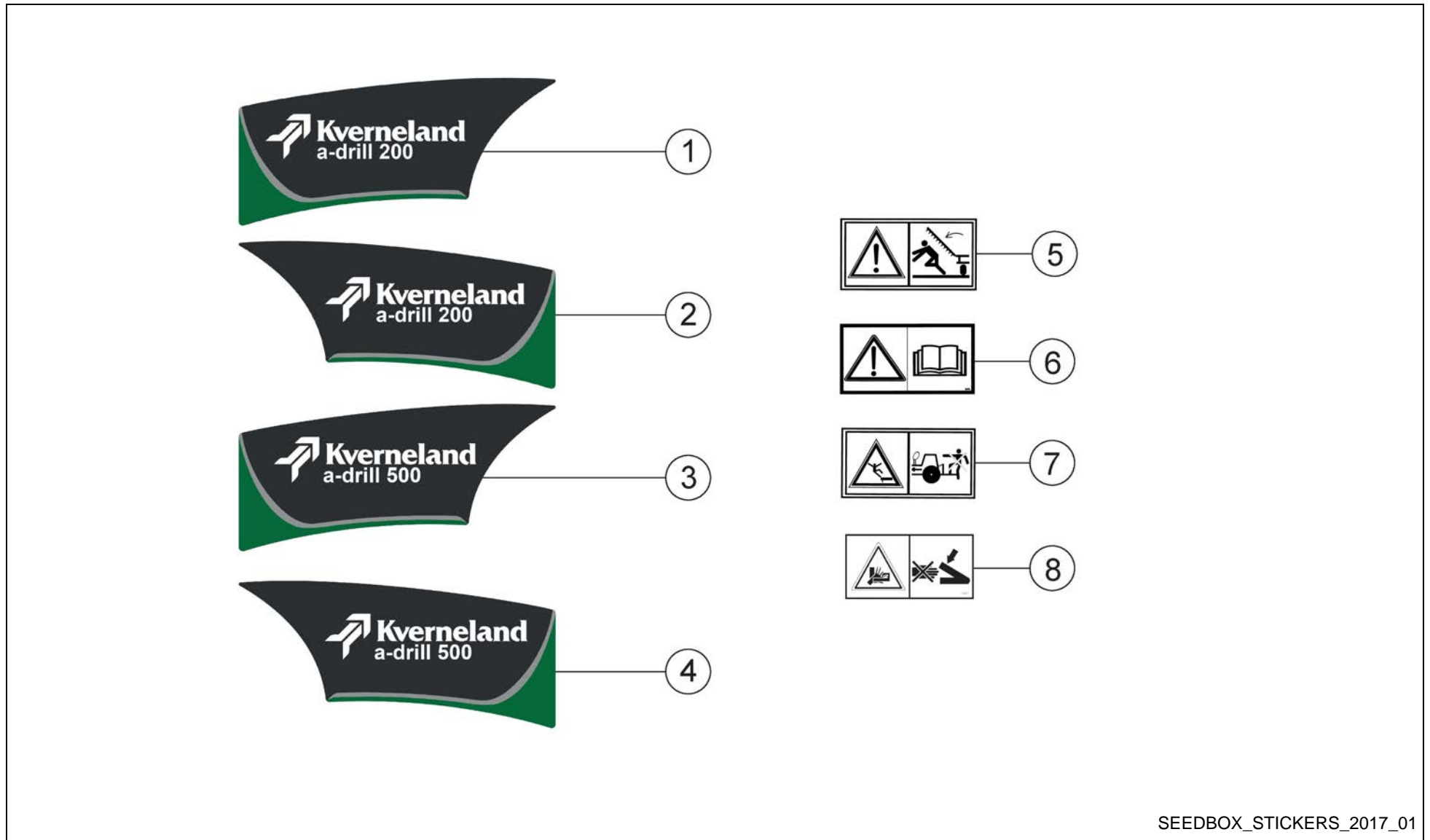
# A-DRILL / SOCKET FOR CLC TINE



SE\_46\_0005

**A-DRILL / SOCKET FOR CLC TINE**

PosNo.	Part No.	Qty.	Description	Remark
1	A135019394		SOCKET	
2	KG00362561		HEX. BOLT M16X80 8.8	
3	KG01067961		LOCK NUT M16 8	



SEEDBOX\_STICKERS\_2017\_01

**A-DRILL / STICKERS**

PosNo.	Part No.	Qty.	Description	Remark
1	A135459374		STICKER ADRILL 200 LEFT	
2	A135459474		STICKER ADRILL 200 RIGHT	
3	A135459574		STICKER ADRILL 500 LEFT	
4	A135459674		STICKER ADRILL 500 RIGHT	
5	RF11872		SAFETY STICKER	
6	RF16994		STICKER INSTRUCTION MANUAL	
7	RF17016		STICKER WARNING	
8	RF24498		STICKER PINCHING RISK	

# A-DRILL / Part No Index



Part No.	Page	Pos No	Part No.	Page	Pos No	Part No.	Page	Pos No	Part No.	Page	Pos No
A135002130	13	7	A135105694	31	12	A135556300	30	7	A135566274	4	6
A135016300	31	1	A135107294	31	13	A135562074	11	6	A135566486	5	1
A135019394	16	1	A135108400	31	14	A135562100	11	7	A135566486	6	1
A135019394	17	1	A135114603	22	9	A135562500	12	1	A135566500	5	2
A135019394	32	1	A135122830	13	5	A135562600	12	2	A135566500	6	2
A135027763	16	2	A135128200	5	6	A135562700	12	4	A135566600	5	3
A135027763	17	2	A135128200	6	6	A135562800	12	5	A135566600	6	3
A135027763	19	1	A135132030	13	6	A135562900	12	8	A135566800	5	5
A135027763	21	1	A135395800	22	10	A135563074	3	10	A135566800	6	5
A135027894	16	3	A135459374	33	1	A135563074	12	14	A135567130	5	8
A135027894	17	3	A135459474	33	2	A135563174	12	15	A135567200	7	10
A135027894	19	2	A135459574	33	3	A135563300	12	17	A135567300	7	11
A135027963	17	4	A135459674	33	4	A135563630	10	11	A135567500	7	6
A135027963	19	3	A135519561	15	1	A135563874	1	7	A135567600	7	4
A135028094	19	4	A135519561	16	7	A135564000	3	1	A135567786	7	2
A135028194	19	5	A135519561	17	7	A135564000	7	5	A135567986	7	12
A135028394	16	4	A135519561	19	8	A135564000	8	2	A135568100	8	1
A135028394	17	5	A135519561	20	1	A135564000	9	2	A135568100	9	1
A135028394	19	6	A135519561	21	3	A135564100	3	2	A135568600	8	9
A135028494	17	6	A135519694	15	2	A135564200	3	3	A135568600	9	8
A135028494	19	7	A135519694	16	8	A135564500	3	23	A135568700	8	10
A135028594	16	5	A135519694	17	8	A135564600	3	9	A135568700	9	9
A135031700	16	6	A135519694	19	9	A135564774	3	11	A135568800	8	11
A135064400	31	2	A135519694	20	2	A135564874	3	12	A135568800	9	10
A135064500	31	3	A135519694	21	4	A135564900	3	13	A135568986	8	12
A135064600	31	4	A135519794	15	3	A135565000	3	16	A135568986	9	11
A135064700	31	5	A135519794	19	10	A135565000	4	10	A135569286	8	13
A135098200	31	6	A135519794	20	3	A135565200	3	18	A135569378	2	5
A135098500	31	7	A135519794	21	5	A135565430	3	19	A135569400	2	6
A135098600	31	8	A135552700	10	12	A135565700	3	22	A135569586	2	7
A135098700	31	9	A135556300	27	8	A135565700	7	8	A135569874	2	9
A135098800	31	10	A135556300	28	7	A135565974	4	5	A135569930	2	12
A135105594	31	11	A135556300	29	7	A135566000	4	7	A135570178	2	13

# A-DRILL / Part No Index



Part No.	Page	Pos No	Part No.	Page	Pos No	Part No.	Page	Pos No	Part No.	Page	Pos No
A135570386	2	14	KG00353161	29	1	KG00468561	27	3	KG00476561	17	17
A135570530	6	11	KG00353361	20	8	KG00468562	15	13	KG00476561	19	18
A135570786	9	12	KG00353461	15	7	KG00468761	8	7	KG00476561	20	19
A135570830	9	13	KG00353461	20	9	KG00468761	9	6	KG00476661	18	3
A135607600	16	35	KG00353661	21	9	KG00468761	18	2	KG00476661	21	17
A135607600	17	36	KG00354061	20	10	KG00468761	20	16	KG00480000	18	4
A135607600	19	39	KG00354161	20	72	KG00468761	21	12	KG00480161	15	17
A135607600	21	2	KG00354261	20	11	KG00468761	28	3	KG00480161	19	19
A139215097	15	4	KG00355461	4	9	KG00468761	29	2	KG00480161	20	20
A139215097	16	47	KG00355761	20	12	KG00468761	30	1	KG00480161	21	18
A139215097	17	49	KG00356261	10	6	KG00468961	31	16	KG00480261	21	19
A139215097	19	51	KG00357761	31	15	KG00471761	28	5	KG00480361	16	17
A139215097	20	4	KG00358161	15	8	KG00471961	15	14	KG00480361	17	18
A139215097	21	6	KG00358161	20	13	KG00471961	20	17	KG00480361	18	5
AC351793	15	5	KG00358261	15	9	KG00471961	21	13	KG00480361	19	20
AC351793	16	9	KG00358261	17	12	KG00472161	21	14	KG00486361	15	18
AC351793	17	9	KG00358261	19	14	KG00472161	26	1	KG00486361	18	6
AC351793	18	1	KG00362161	15	10	KG00472161	31	17	KG00486361	23	1
AC351793	19	11	KG00362161	16	12	KG00472261	15	15	KG00546961	10	9
AC351793	20	5	KG00362161	17	13	KG00472761	15	16	KG00637061	8	4
AC351793	21	7	KG00362161	19	15	KG00472761	16	15	KG00637061	9	3
AC351793	22	1	KG00362161	20	14	KG00472761	17	16	KG00637061	11	3
AC494726	15	6	KG00362161	21	10	KG00472761	19	17	KG00637061	12	13
AC494726	16	10	KG00362561	16	13	KG00472761	20	18	KG00637161	1	4
AC494726	17	10	KG00362561	17	14	KG00472761	21	15	KG00637161	2	4
AC494726	19	12	KG00362561	32	2	KG00474061	11	8	KG00637161	3	15
AC494726	20	6	KG00362661	20	15	KG00474061	21	16	KG00637161	12	9
AC494726	21	8	KG00363261	15	11	KG00474061	30	2	KG00697263	5	4
KG00353161	16	11	KG00366661	16	14	KG00474461	1	10	KG00697263	6	4
KG00353161	17	11	KG00366661	17	15	KG00474461	2	11	KG00980461	8	8
KG00353161	19	13	KG00366661	19	16	KG00474461	10	2	KG00980461	9	7
KG00353161	20	7	KG00366661	21	11	KG00474461	12	12	KG00980661	3	8
KG00353161	24	2	KG00367361	15	12	KG00476561	16	16	KG00980661	5	7

# A-DRILL / Part No Index



Part No.	Page	Pos No	Part No.	Page	Pos No	Part No.	Page	Pos No	Part No.	Page	Pos No
KG00980661	6	7	KG01067761	18	8	KG01260362	1	9	KG01277461	21	29
KG01050561	15	19	KG01067761	19	23	KG01260362	2	10	KG01277461	27	2
KG01050561	19	21	KG01067761	20	24	KG01260362	10	8	KG01277461	28	1
KG01050561	20	21	KG01067761	21	22	KG01267261	8	5	KG01277461	29	4
KG01050561	21	20	KG01067761	27	5	KG01267261	9	4	KG01277461	30	3
KG01051761	1	3	KG01067761	31	20	KG01267361	15	26	KG01277561	20	74
KG01051761	2	3	KG01067961	15	22	KG01267361	16	23	KG01277661	21	30
KG01051761	3	14	KG01067961	16	20	KG01267361	17	24	KG01277661	30	4
KG01051761	6	9	KG01067961	17	21	KG01267361	19	27	KG01900261	31	22
KG01051761	11	1	KG01067961	18	9	KG01267361	20	28	KK010170	15	67
KG01051761	12	10	KG01067961	19	24	KG01267361	21	27	KK010170	18	15
KG01051961	1	2	KG01067961	20	25	KG01267361	24	1	KK015830	15	68
KG01051961	2	2	KG01067961	21	23	KG01267361	28	4	KK015830	18	16
KG01051961	7	9	KG01067961	32	3	KG01267461	1	1	KK032813	15	69
KG01051961	10	7	KG01068161	15	23	KG01267461	2	1	KK032813	18	17
KG01052061	7	1	KG01068161	16	21	KG01267461	4	1	KK301223	15	70
KG01067361	8	6	KG01068161	17	22	KG01267461	7	7	KK301223	18	18
KG01067361	9	5	KG01068161	19	25	KG01267461	10	1	RF00910	15	30
KG01067361	31	18	KG01068161	21	24	KG01267461	11	2	RF00910	16	24
KG01067561	15	20	KG01068361	15	24	KG01267461	12	11	RF00910	17	25
KG01067561	16	18	KG01068361	18	10	KG01267561	15	27	RF00910	18	19
KG01067561	17	19	KG01068361	23	2	KG01267561	18	12	RF00910	19	28
KG01067561	18	7	KG01108862	20	26	KG01267561	20	29	RF00910	20	31
KG01067561	19	22	KG01108862	25	1	KG01267561	21	28	RF00910	21	31
KG01067561	20	22	KG01189462	21	25	KG01267561	27	4	RF02342	20	32
KG01067561	21	21	KG01189462	26	2	KG01267561	31	21	RF02345	20	33
KG01067561	24	3	KG01189662	15	25	KG01267761	18	20	RF02489	15	31
KG01067561	29	3	KG01189662	16	22	KG01268161	15	28	RF02772	15	32
KG01067561	31	19	KG01189662	17	23	KG01268161	18	13	RF02772	16	25
KG01067661	20	23	KG01189662	19	26	KG01268161	23	3	RF02772	17	26
KG01067761	15	21	KG01189662	20	27	KG01277461	15	29	RF02772	18	21
KG01067761	16	19	KG01189662	21	26	KG01277461	18	14	RF02772	19	29
KG01067761	17	20	KG01193962	18	11	KG01277461	20	30	RF02772	20	34

# A-DRILL / Part No Index



Part No.	Page	Pos No	Part No.	Page	Pos No	Part No.	Page	Pos No	Part No.	Page	Pos No
RF02772	21	32	RF3098194	19	31	RF3137094	15	43	RF3147194	24	4
RF02772	22	2	RF3098194	20	43	RF3137094	18	33	RF3147461	16	32
RF03790	20	35	RF3098194	21	34	RF3137094	19	33	RF3147461	17	33
RF04030	18	22	RF3098794	18	29	RF3137094	20	45	RF3147461	21	41
RF11872	33	5	RF3099294	18	30	RF3137194	18	33	RF3147600	21	42
RF16994	33	6	RF3102194	15	37	RF3137194	20	45	RF3149594	16	33
RF17016	33	7	RF3102294	15	38	RF3137294	18	33	RF3149594	17	34
RF18077	15	33	RF3102894	15	39	RF3137961	15	44	RF3149594	19	37
RF18077	18	23	RF31168X0	14	1	RF3137961	16	29	RF3149594	20	50
RF18077	27	6	RF31169X0	14	1	RF3137961	17	30	RF3149594	21	43
RF20444	15	34	RF31174X0	15	40	RF3137961	18	34	RF3150194	20	51
RF20444	16	26	RF31174X0	18	31	RF3137961	19	34	RF3150194	21	44
RF20444	17	27	RF31174X0	23	4	RF3137961	20	46	RF3150294	20	52
RF20444	18	24	RF31174X0	24	5	RF3137961	21	37	RF3150294	21	45
RF20444	19	30	RF31175	20	44	RF31432	13	8	RF31514	15	48
RF20444	20	36	RF31175	21	35	RF31433	20	47	RF31514	19	38
RF20444	21	33	RF31175	25	2	RF31433	21	38	RF31514	20	53
RF24498	33	8	RF31175	26	3	RF3146061	15	45	RF31514	21	46
RF2837063	15	35	RF3117694	15	41	RF3146061	16	30	RF3151594	16	34
RF29247	20	37	RF3117694	18	32	RF3146061	17	31	RF3151594	17	35
RF29250	20	38	RF3117694	27	1	RF3146061	19	35	RF3151594	21	47
RF29251	20	39	RF3117694	28	2	RF3146061	20	48	RF31517	16	36
RF29289	20	40	RF3123461	19	32	RF3146061	21	39	RF31517	17	37
RF29290	20	41	RF3133994	15	42	RF31470	15	46	RF31517	19	40
RF29848	20	42	RF3136894	18	33	RF31470	16	31	RF31517	21	48
RF30910	10	10	RF3136894	19	33	RF31470	17	32	RF31518	16	37
RF3097594	18	25	RF3136894	20	45	RF31470	18	35	RF31518	17	38
RF3097994	18	26	RF3136894	21	36	RF31470	19	36	RF31518	21	49
RF3098094	18	27	RF3136994	16	28	RF31470	20	49	RF3151994	15	49
RF3098194	15	36	RF3136994	17	29	RF31470	21	40	RF3152494	15	50
RF3098194	16	27	RF3136994	18	33	RF3147194	15	47	RF3153194	15	51
RF3098194	17	28	RF3136994	19	33	RF3147194	18	36	RF3155094	15	52
RF3098194	18	28	RF3136994	20	45	RF3147194	23	5	RF3155494	21	50

# A-DRILL / Part No Index



Part No.	Page	Pos No	Part No.	Page	Pos No	Part No.	Page	Pos No	Part No.	Page	Pos No
RF3155494	30	5	RF31575	21	58	RF31961	22	5	RF31998	20	80
RF31557	21	51	RF31575	27	7	RF31962	17	42	RF32002	15	64
RF31557	26	4	RF31575	28	6	RF31962	19	44	RF32002	16	45
RF3155894	21	52	RF31575	29	5	RF31962	20	69	RF32002	17	47
RF3155894	26	5	RF31575	30	6	RF31962	21	62	RF32002	18	45
RF3156194	21	53	RF31576	15	57	RF31963	15	62	RF32002	19	49
RF3156194	26	6	RF31576	18	41	RF31963	16	41	RF32002	20	81
RF3156461	21	54	RF31576	20	59	RF31963	17	43	RF32002	21	66
RF3156461	26	7	RF31576	21	59	RF31963	18	43	RF32002	22	7
RF31569	15	53	RF3158194	20	60	RF31963	19	45	RF32003	15	65
RF31569	16	38	RF3158994	20	61	RF31965	15	63	RF32003	16	46
RF31569	17	39	RF31590	20	62	RF31965	16	42	RF32003	17	48
RF31569	18	37	RF31590	25	3	RF31965	17	44	RF32003	18	46
RF31569	19	41	RF3159186	20	63	RF31965	18	44	RF32003	19	50
RF31569	20	54	RF3159186	25	4	RF31965	19	46	RF32003	20	82
RF31569	21	55	RF3159361	20	64	RF31965	20	70	RF32003	21	67
RF31569	22	3	RF3159361	25	5	RF31965	21	63	RF32003	22	8
RF31572	15	54	RF3159661	20	65	RF31965	22	6	RF32028	1	8
RF31572	16	39	RF3159661	25	6	RF31966	16	43	RF32028	2	8
RF31572	17	40	RF3173494	20	66	RF31966	17	45	RF32031	14	3
RF31572	18	38	RF3173494	29	6	RF31966	19	47	RF32032	3	21
RF31572	19	42	RF31736	15	58	RF31966	20	71	RF32033	1	6
RF31572	20	55	RF31736	16	40	RF31966	21	64	RF32034	4	2
RF31572	21	56	RF31736	17	41	RF31969	20	73	RF32035	1	5
RF31572	22	4	RF31736	18	42	RF31973	16	44	RF32036	6	8
RF3157361	20	56	RF31736	19	43	RF31973	17	46	RF32038	3	4
RF31574	15	55	RF31736	20	67	RF31973	19	48	RF32039	10	3
RF31574	18	39	RF31736	21	60	RF31973	20	75	RF32040	3	6
RF31574	20	57	RF3174294	20	68	RF31973	21	65	RF32045	3	7
RF31574	21	57	RF3175194	15	59	RF31994	20	76	RF32048	10	4
RF31575	15	56	RF3175294	15	60	RF31995	20	77	RF32051	14	2
RF31575	18	40	RF3175594	15	61	RF31996	20	78	RF32052	10	5
RF31575	20	58	RF31961	21	61	RF31997	20	79	RF32061	13	2

**A-DRILL / Part No Index**

Part No.	Page	Pos No			
RF32062	4	12			
RF3206586	3	17			
RF32066	4	11			
RF32066	13	1			
RF32067	13	3			
RF3207086	4	4			
RF32071	7	3			
RF3207286	3	5			
RF3207386	4	3			
RF3207486	3	20			
RF3207586	8	3			
RF3207686	6	10			
RF3208330	1	11			
RF32086	12	18			
RF3208786	12	19			
RF3209086	11	9			
RF3209186	11	4			
RF3209286	11	5			
RF32093	12	3			
RF32094	12	7			
RF32098	4	8			
RF32114	12	6			
RF3211786	12	16			
RF32209	13	4			
RFGAINE024	15	66			
RFGAINE024	18	47			
RFGAINE027	21	68			
RFGAINE027	26	8			



## A-DRILL

RFSDCxx006315 < Mach. ID <=

Kverneland Group Les Landes Génusson S.A.S.  
9 rue du Poitou  
85130 Les Landes Génusson  
France  
+33 (0)2 51 64 13 00  
+33 (0)2 51 91 61 25

© Kverneland Group

All rights reserved. No parts of this book may be reproduced, stored in a database or retrieval system, or published in any form or in any way, electronically, mechanically, optically, by print, photo print, microfilm (including micro and macro fiche), or any other means, including all video and CD systems, without prior written permission from the publisher.

Print date: 2018-02-20

