

ES/LS

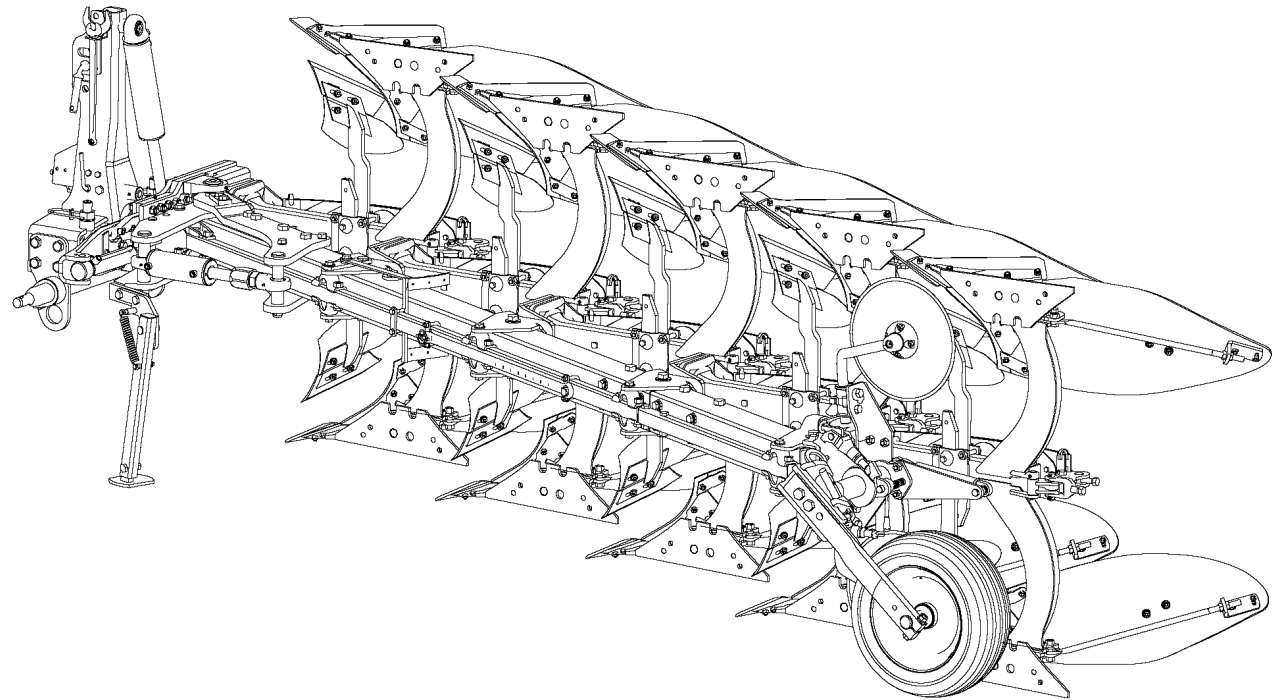
Spare Parts Manual

Article number: A133093140_2023
Language: EN
Production year (from): 2023
Prod. Series nr (from):
ES27113=> < Mach. ID <= LS5062=>

ES/LS / Table of Contents



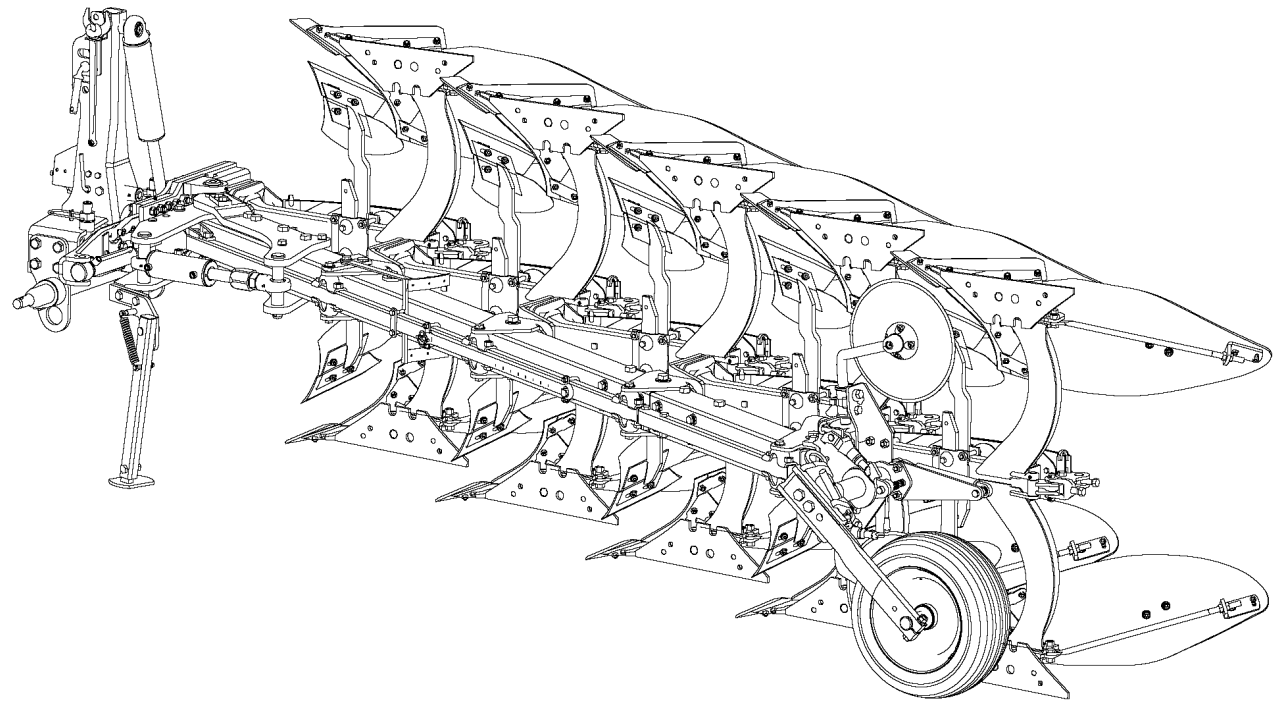
PosNo.	Assembly group	Page
Body	BODY - 8, 9, 28, 38	1
--	KIT EXTRA STAY BODY 8-9-28	2
--	BODY - 30	3
--	BODY NO. 25	4
--	PLASTIC BODY NR.34	5
--	BODY NR.40	6
--	KNOCK-ON	7
--	QUICK FIT	8
--	CARBIDE FOR BODIES	9
Beam	BEAM - AUTO RESET	10
--	HYDRAULIC AUTO RESET	11
--	BEAM (SHEAR BOLT)	12
Coulter	DISC COULTER - AUTO RESET BEAM	13
--	DISC COULTER PARALLEL ADJUSTMENT	14
--	DISC COULTER - SHEAR BOLT BEAM	15
Skimmer	SKIMMER REVERSIBLE & CONVENTIONAL PLOUGHS	16
--	SKIMMER ARM REINFORCED	17
--	SKIMMER BODY 25	18
Headst	HEADSTOCK 200 - TOWER	19
--	HEADSTOCK 200 - SLIDE	20
--	FRONT SECTION HS-200	21
--	CROSS SHAFTS HS-200	22
Frame	FRAME PARTS ES-LS 85-100-115	23
--	FRAME PARTS ES-85-100-5 FURROW EXTENDIBLE	24
--	MAIN FRAME ES-LS 85-100-115	25
--	BEAM SUPPORT STEPLESS	26
Parkst.	PARKING STAND	27
Hydr	HYDRAULICS HS-200 BASIC VERSION	28
--	HYDRAULICS HS-200 ALIGMENT SYSTEMS	29
--	HYDRAULICS HS-200 MEMORY SYSTEMS	30
--	FRONT FURROW ADJUSTMENT HS-200	31
--	HYDRAULIC FILTER HS 200	32
Cyl	CYLINDER D32-D20X165+75 (A152325488)	33
--	CYLINDER D40 - D32 X 510 + 215	34



ES/LS / Table of Contents



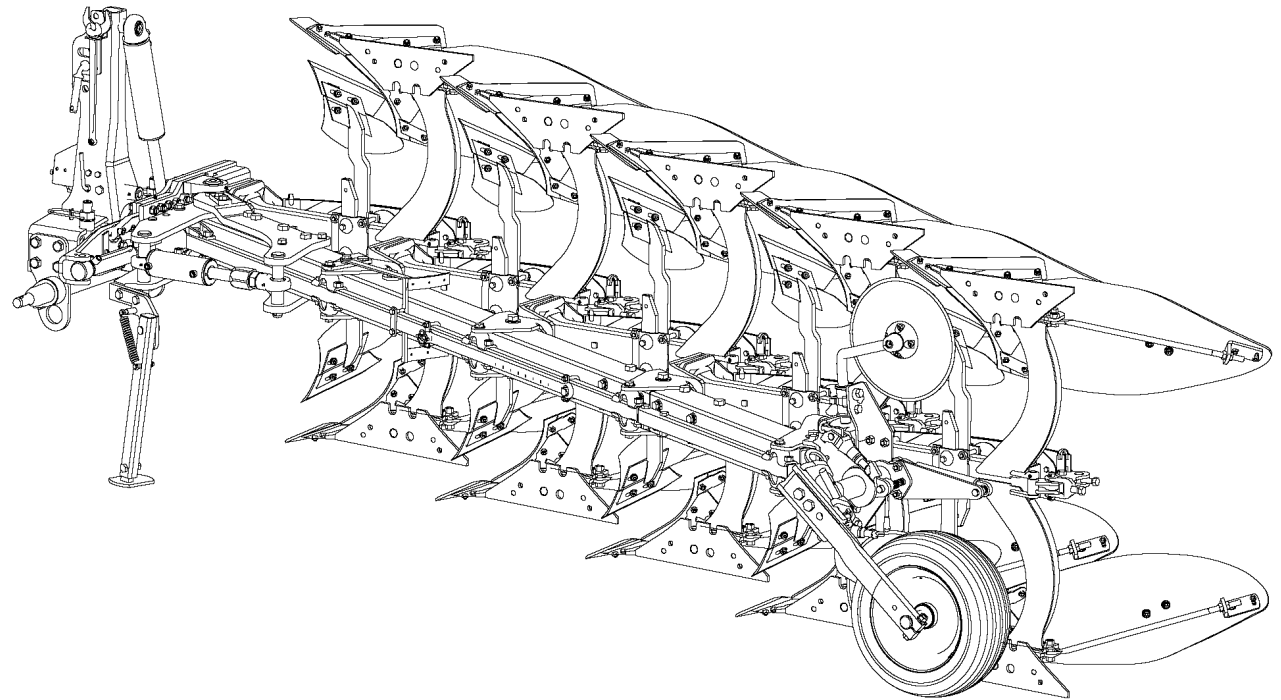
PosNo.	Assembly group	Page
--	(KK353907) CYLINDER D50-D30X400+200	35
--	(KK353681) CYLINDER D63-D32X280+120	36
--	(KK354515) CYLINDER D63-D32X400+200	37
--	(KK353680) CYLINDER D80-D40X470+150	38
--	(KK354709) CYLINDER D80-D40X470+150	39
--	(KK354719) MEMORY CYLINDER D80-D40X470+150	40
--	(KK354718) MEMORY CYLINDER D100-D40X470+150	41
--	(KK359026) CYLINDER D80-D40X520+300	42
--	(KK353664) TURNOVER VALVE KK012740	43
Valve	MEMORY VALVE KK012741	44
--	SEQUENCE VALVE KK012742	45
--	SEQUENCE-MEMORY VALVE KK012743	46
Wheel	DEPTH WHEEL FRAME MOUNTED	47
--	WHEEL FRAME AND REAR MOUNTED	48
--	DEPTH WHEEL WITH PLATE ARM	49
--	WHEEL 99 REAR MOUNTED	50
--	WHEEL 99 - FRAME MOUNTED	51
--	WHEELARM FOR DEPTHWHEEL 99	52
--	WHEEL 320/60-12TT T421, 6.00X9	53
--	WHEEL COMPLETE	54
--	STEEL WHEEL 500X165	55
--	BRACKETS DEPTH/TRANSP. WHEEL 99	56
--	WHEEL (HYDRAULIC)	57
--	HYDRAULIC WHEEL-HOSE ON PARALLEL ROD	58
--	WHEEL BRACKET	59
--	WHEEL	60
Light	LIGHTS	61
--	LIGHTS PLOUGH POSITION	62
--	REFLEX (FR)	63
--	REFLEX (DK)	64

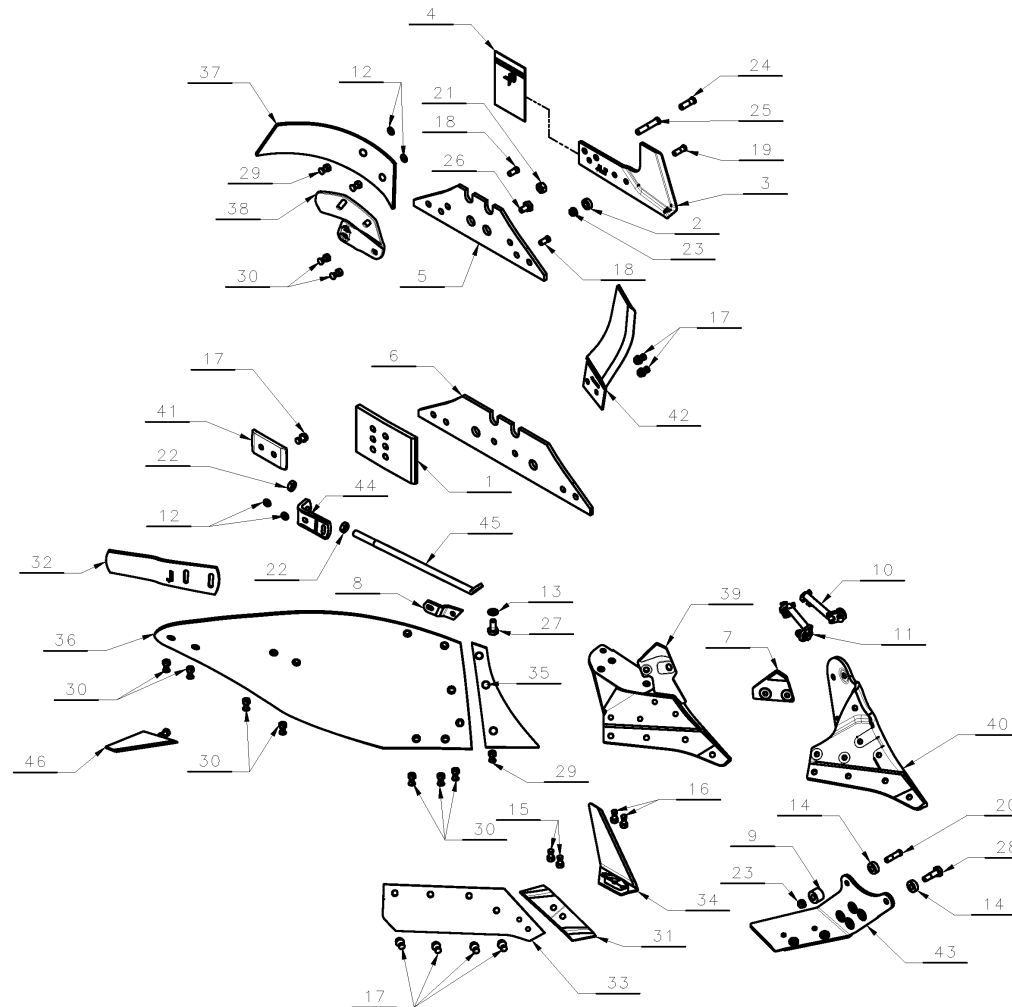


ES/LS / Table of Contents



PosNo.	Assembly group	Page
--	SIDE REFLEXES CPL	65
Packer	SOIL PACKER ARM	66
--	DRAW BAR HS-200	67
--	HYDRAULIC FOR SOIL PAKCER HS-200	68
--	LIFTING BRACKETS	69
Transfer	TRANSFERS	70
--	TRANSFERS	71
--	STICKERS ANSI	72



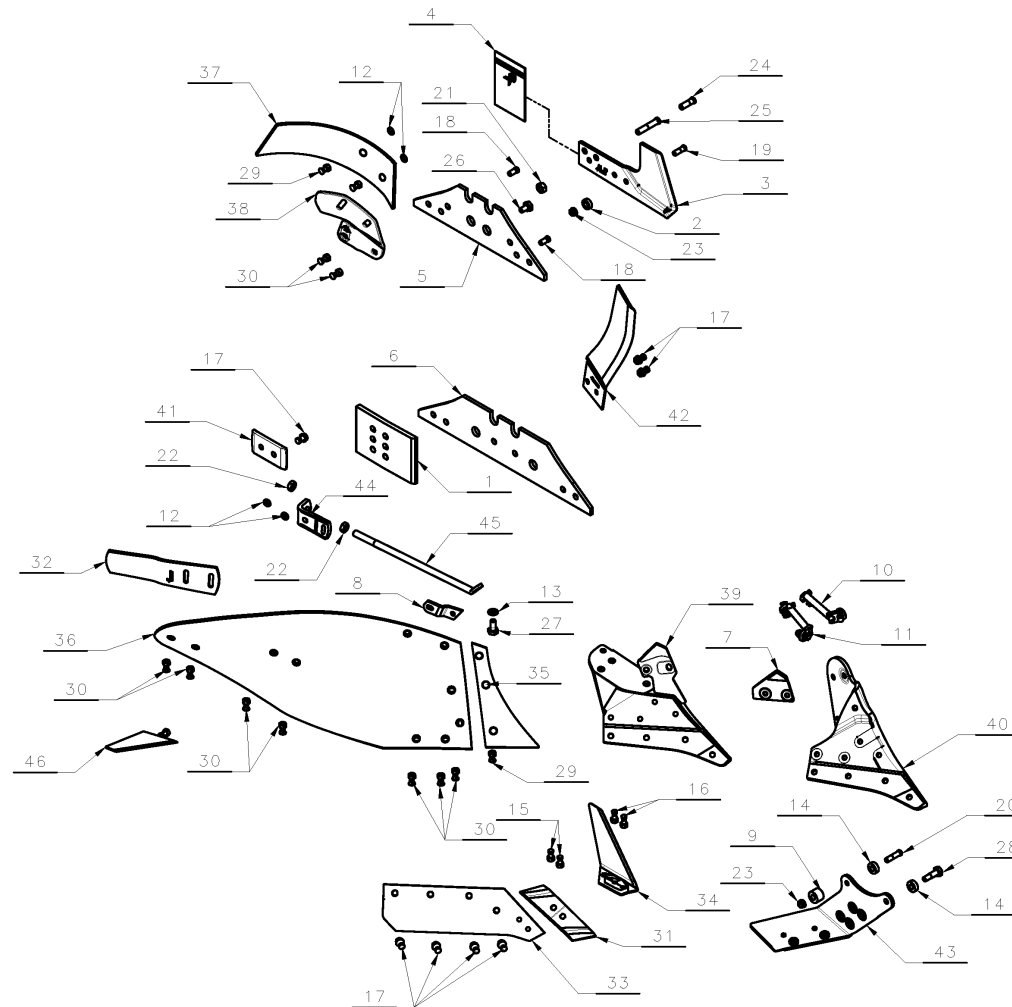


SPMKK003401

ES/LS / BODY - 8, 9, 28, 38



PosNo.	Part No.	Qty.	Description	Remark
1	A133097232	1	LANDSIDE EXTENSION PLATE W/BOLTS	For landside long A133397494
2	A133217961	1	WASHER D16.25-D31.2X11	
3	A133229488	1	LANDSIDE KNIFE RIGHT	
3	A133229588	1	LANDSIDE KNIFE LEFT	
4	A133230330	1	BAG W/SCREWS AND WASHER (A1332294/95)	
5	A133397394	1	LANDSIDE SHORT R/L	
6	A133397494	1	LANDSIDE LONG R/L	
7	A133451994	1	CONNECTION PIECE RIGHT	A-saddle
7	A133452094	1	CONNECTION PIECE LEFT	A-saddle
8	A133452194	1	CONNECTING PIECE NO. 19 R	No. 9 and no. 38
8	A133452294	1	CONNECTING PIECE NO. 19 L	No. 9 and no. 38
9	A152077688	1	BUSHING D17- D38X27	(For A-saddle)
9	A152077788	1	BUSHING D17-D38X40	(For AB, AD, BE)
10	A152217432	1	STIFFENER SADDLE A BODY 28 R W/BOLTS	For A- saddle, body 28
11	A152217532	1	STIFFENER SADDLE A BODY 28 L W/BOLTS	For A- saddle, body 28
12	KK012919	1	WASHER D13.0XD24.0X2.50	
13	KK012927	1	WASHER D17.0XD30X3	
14	KK012929	1	WASHER D16.5XD35.0X12.0	
15	KK013228R	1	CS BOLT M12X34	
16	KK013234R	1	SHAREBOLT M12X38	
17	KK013332R	1	BOLT M14X34 W/NUT	
18	KK013333	1	CONE SCREW M14X34	
19	KK013346	1	CONE SCREW M14X45 GALV.	
20	KK013361	1	CONE SCREW M14X60 12.9	
21	KK015825	1	M16 NUT	
22	KK015834	1	NUT M20	
23	KK016015	1	FLANGE NUT M14 GALV.	
24	KK031905	1	CONICAL SCREW M16X55 12.9	
25	KK031909	1	CONICAL SCREW M16X90 12.9	
26	KK032725	1	HEX BOLT M16X27 10.9	
27	KK032735	1	HEX BOLT M16X35 10.9	
28	KK032740	1	HEX BOLT M16X40 10.9	For E-saddle
28	KK032755	1	HEX BOLT M16X55 10.9	
28	KK032765	1	HEX BOLT M16X65 10.9 W/WAX	For A- saddle
28	KK032775	1	HEX BOLT M16X75 10.9	(For AB, AD, BE)
29	KK033100R	1	CS BOLT M12X30	
30	KK033107R	1	BOLT M12X35 W/NUT	
31	KK053090R	1	REVERSIBLE POINT R BOXED W/BOLTS	
31	KK063090R	1	REVERSIBLE POINT L BOXED W/BOLTS	
32	KK053387R	1	MOULDBOARD EXTENSION R. PAINTED	



SPMKK003401

ES/LS / BODY - 8, 9, 28, 38



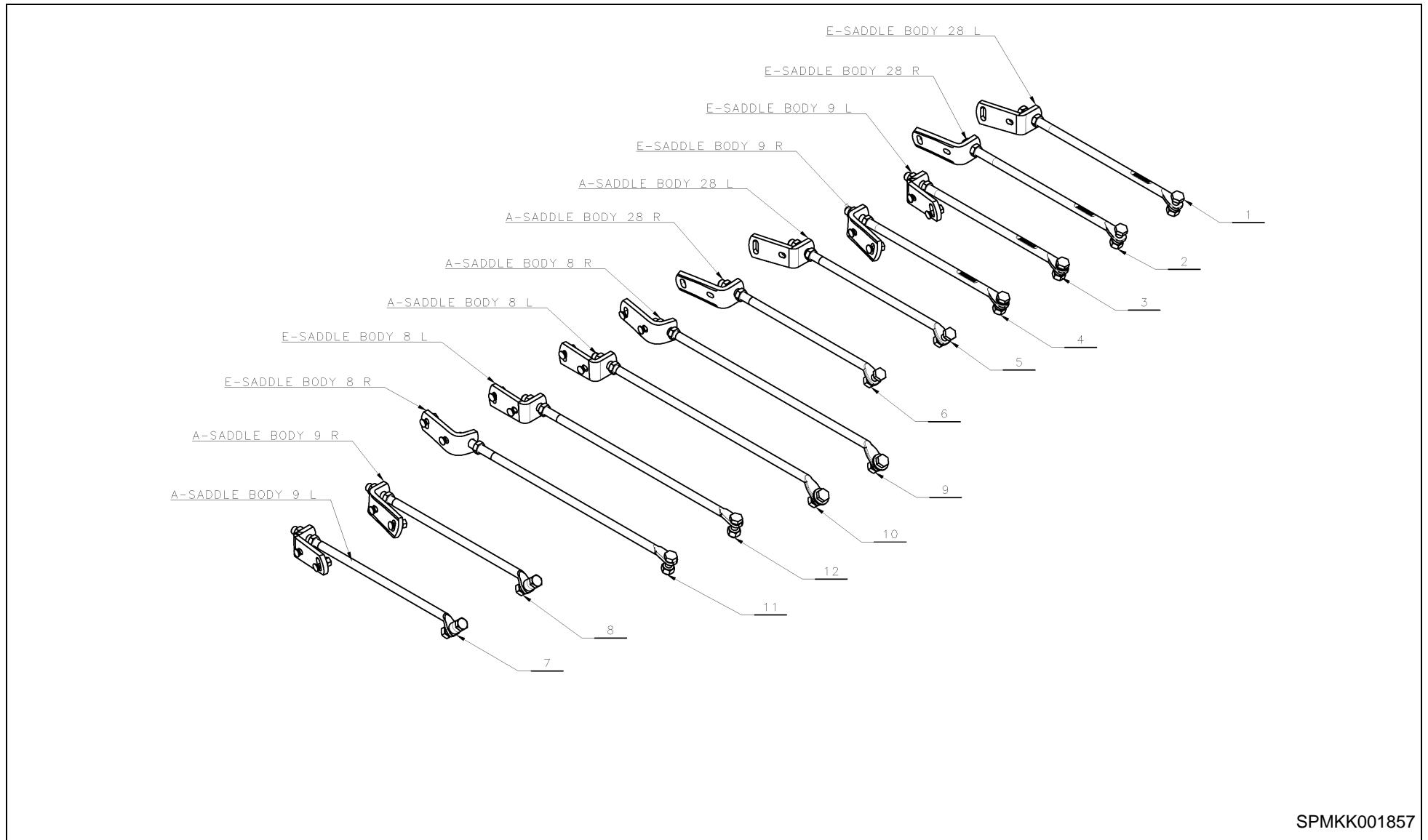
PosNo.	Part No.	Qty.	Description	Remark
32	KK063388R	1	MOULDBOARD EXTENSION L. PAINTED	
33	KK07300086	1	SHARE 12 F/REV.POINT RIGHT	30CM
33	KK07300186	1	SHARE 12 F/REV.POINT LEFT	30CM
33	KK07300286	1	SHARE 14 F/REV.POINT RIGHT	35CM
33	KK07300386	1	SHARE 14 F/REV.POINT LEFT	35CM
33	KK07300486	1	SHARE 16 F/REV.POINT RIGHT	40CM
33	KK07300586	1	SHARE 16 F/REV.POINT LEFT	40CM
33	KK07300686	1	SHARE 18 F/REV.POINT RIGHT	45CM
33	KK07300786	1	SHARE 18 F/REV.POINT LEFT	45CM
33	KK07300886	1	SHARE 20 F/REV.POINT RIGHT	50CM
33	KK07300986	1	SHARE 20 F/REV.POINT LEFT	50CM
34	KK073091R	1	SHARE KNIFE R.	
34	KK073092R	1	SHARE KNIFE L.	
34	KK063091R	1	SHARE KNIFE R.	(For Sweden)
34	KK063092R	1	SHARE KNIFE L.	(For Sweden)
35	KK073250R	1	SHINPIECE R.	No. 8 and no. 28
35	KK073251R	1	SHINPIECE L.	No. 8 and no. 28
35	KK073256R	1	SHINPIECE R.	No. 9
35	KK073257R	1	SHINPIECE L.	No. 9
35	A133903430	1	SHINPIECE NO.38 RIGHT W/BOLTS	No.38
35	A133903530	1	SHINPIECE NO.38 LEFT W/BOLTS	No.38
36	KK07328094	1	MOULDBOARD 12 NO.8 RIGHT	
36	KK07328194	1	MOULDBOARD 12 NO.8 LEFT	
36	KK07328694	1	MOULDBOARD 14-18 NO.8 RIGHT	
36	KK07328794	1	MOULDBOARD 14-18 NO.8 LEFT	
36	KK07329094	1	MOULDBOARD 14-20 NO.9&19 RIGHT	
36	KK07329194	1	MOULDBOARD 14-20 NO.9&19 LEFT	
36	KK08322894	1	MOULDBOARD BODY NO 28 RIGHT	
36	KK08322994	1	MOULDBOARD BODY NO 28 LEFT	
36	A133873894	1	MOULDBOARD BODY NO 38 RIGHT	
36	A133873994	1	MOULDBOARD BODY NO 38 LEFT	
37	KK073300R	1	TRASHBOARD R	
37	KK073301R	1	TRASHBOARD L.	
38	KK073310R	1	BRACKET FOR TRASHBOARD RIGHT	
38	KK073311R	1	BRACKET FOR TRASHBOARD LEFT	
39	KK073406R	1	SADDLE W/SUPPORT RIGHT	E-saddle
39	KK073407R	1	SADDLE W/SUPPORT LEFT	E-saddle
40	KK073411R	1	SADDLE A RIGHT	A-saddle
40	KK073412R	1	SADDLE A LEFT	A-saddle
41	KK073614R	1	WEARING PIECE FOR 073609	For landside long A133397494

ES/LS / BODY - 8, 9, 28, 38



PosNo.	Part No.	Qty.	Description	Remark
42	KK073615R	1	FURROW OPENER R.	
42	KK073616R	1	FURROW OPENER L.	
43	KK073634R	1	ECO-SHARE WITH BOLTS RH	
43	KK073635R	1	ECO-SHARE WITH BOLTS LH	
44	KK073807R	1	BRACKET FOR EXTRA STAY RIGHT	No. 9
44	KK073808R	1	BRACKET FOR EXTRA STAY LEFT	No. 9
44	KK073800R	1	BRACKET FOR STAY RIGHT	No. 8, 28 and 38
44	KK073801R	1	BRACKET FOR STAY LEFT	No. 8, 28 and 38
45	KK073803R	1	STAY	No. 8, A-saddle
45	KK063801R	1	STAY	No. 8, A-saddle
45	KK073830R	1	STAY A-SADDLE R/L	No. 9, A-saddle
45	KK073831R	1	STAY E-SADDLE R/L	No. 9, A-saddle
45	KK083809R	1	STAY A-SADDLE R/L	No. 28 and 38, A-saddle, long
45	KK083810R	1	STAY E-SADDLE BODY NO 28	No. 28 and 38, E-saddle, long
45	KK063806R	1	STAY	No. 28 and 38, A-saddle, short
46	KK083235R	1	FURROW SPLITTER W/BOLT	

ES/LS / KIT EXTRA STAY BODY 8-9-28

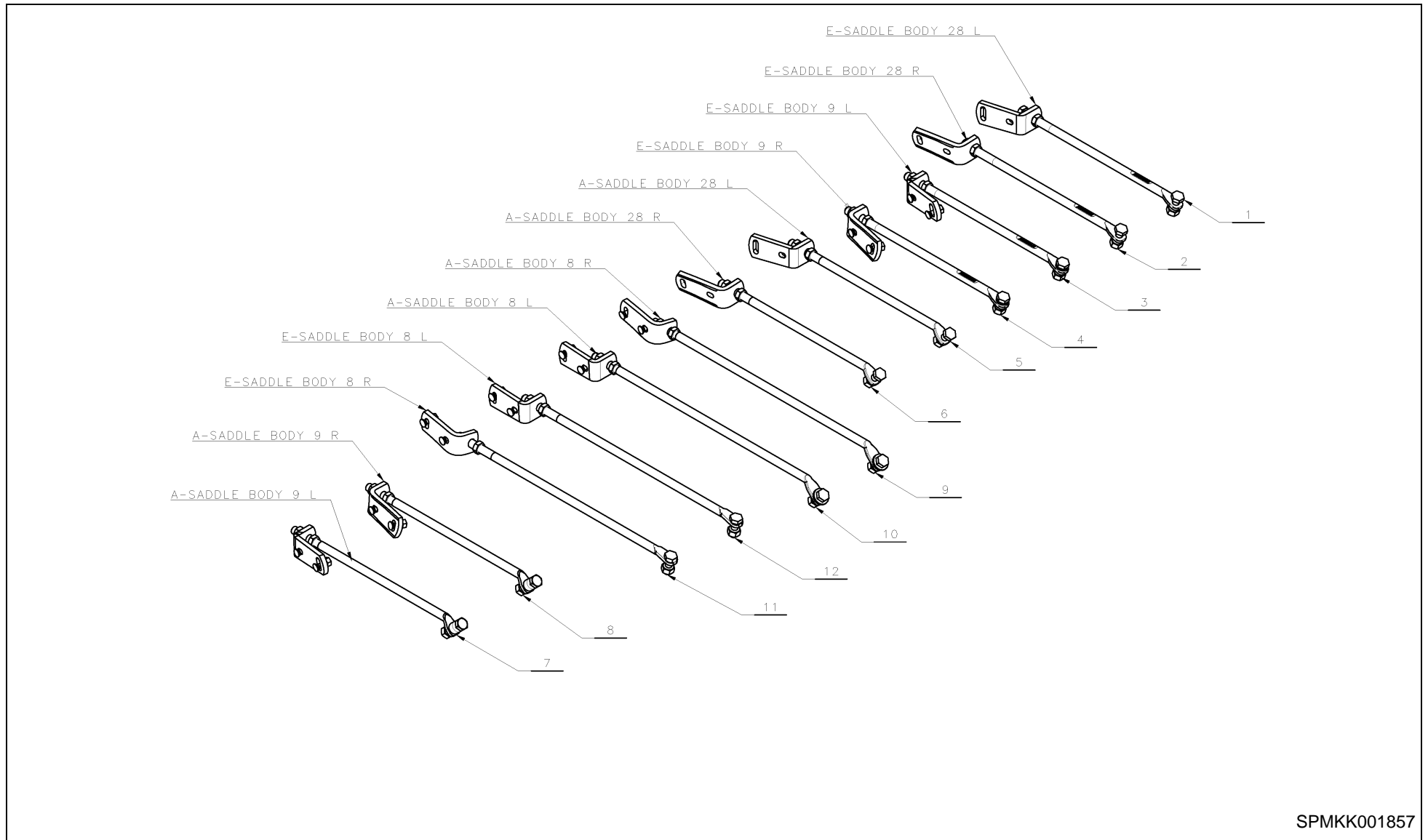


SPMKK001857

ES/LS / KIT EXTRA STAY BODY 8-9-28

PosNo.	Part No.	Qty.	Description	Remark
1	KK080983		KIT EXTRA STAY L E-SADDLE BODY 28	
-	KK015825	1	M16 NUT	
-	KK015834	2	NUT M20	
-	KK032750	1	HEX BOLT M16X50 10.9	
-	KK063801R	1	STAY	
-	KK073801R	1	BRACKET FOR STAY LEFT	
2	KK080982		KIT EXTRA STAY R E-SADDLE BODY 28	
-	KK015825	1	M16 NUT	
-	KK015834	2	NUT M20	
-	KK032750	1	HEX BOLT M16X50 10.9	
-	KK063801R	1	STAY	
-	KK073800R	1	BRACKET FOR STAY RIGHT	
3	KK070395		KIT EXTRA STAY L E-SADDLE BODY 9	
-	KK012927	1	WASHER D17.0XD30X3	
-	KK015817	2	NUT M12 GALV.	
-	KK015825	1	M16 NUT	
-	KK015834	2	NUT M20	
-	KK032750	1	HEX BOLT M16X50 10.9	
-	KK033109	2	BOLT M12X40	
-	KK063801R	1	STAY	
-	KK073801R	1	BRACKET FOR STAY LEFT	
4	KK070394		KIT EXTRA STAY R E-SADDLE BODY 9	
-	KK012927	1	WASHER D17.0XD30X3	
-	KK015817	2	NUT M12 GALV.	
-	KK015825	1	M16 NUT	
-	KK015834	2	NUT M20	
-	KK032750	1	HEX BOLT M16X50 10.9	
-	KK033109	2	BOLT M12X40	
-	KK063801R	1	STAY	
-	KK073800R	1	BRACKET FOR STAY RIGHT	
5	KK080981		KIT EXTRA STAY L A-SADDLE BODY 28	
-	KK015825	1	M16 NUT	
-	KK015834	2	NUT M20	
-	KK032750	1	HEX BOLT M16X50 10.9	
-	KK063806R	1	STAY	
-	KK073801R	1	BRACKET FOR STAY LEFT	
6	KK080980		KIT EXTRA STAY R A-SADDLE BODY 28	
-	KK015825	1	M16 NUT	
-	KK015834	2	NUT M20	
-	KK032750	1	HEX BOLT M16X50 10.9	

ES/LS / KIT EXTRA STAY BODY 8-9-28



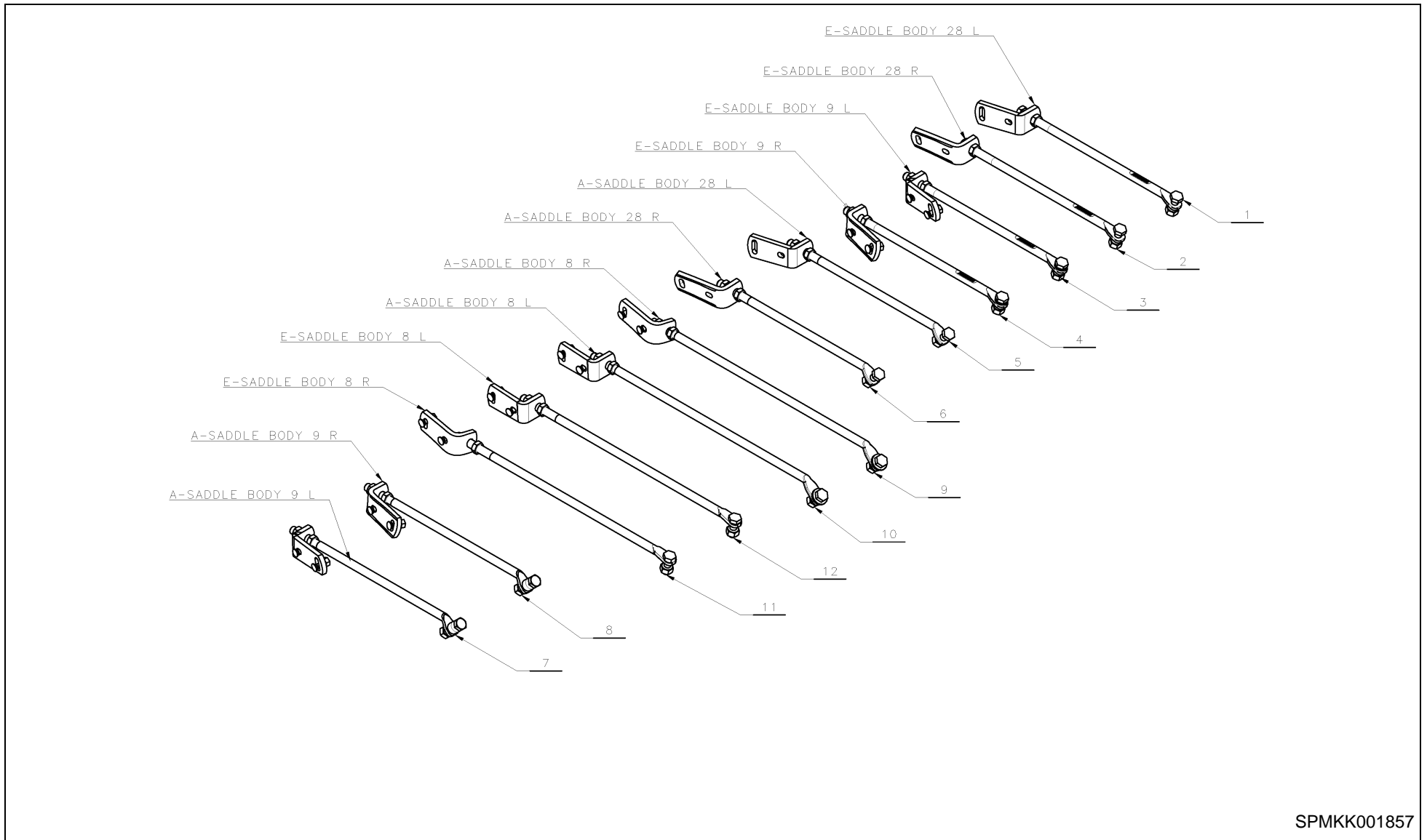
SPMKK001857

ES/LS / KIT EXTRA STAY BODY 8-9-28



PosNo.	Part No.	Qty.	Description	Remark
-	KK063806R	1	STAY	
-	KK073800R	1	BRACKET FOR STAY RIGHT	
7	KK070391		KIT EXTRA STAY L A-SADDLE BODY 9	
-	KK012997	1	SPESIALSKIVE 28 X 17 X 22	
-	KK015817	2	NUT M12 GALV.	
-	KK015825	1	M16 NUT	
-	KK015834	2	NUT M20	
-	KK032765	1	HEX BOLT M16X65 10.9 W/WAX	
-	KK033109	2	BOLT M12X40	
-	KK073801R	1	BRACKET FOR STAY LEFT	
-	KK073803R	1	STAY	
8	KK070390		KIT EXTRA STAY R A-SADDLE BODY 9	
-	KK012997	1	SPESIALSKIVE 28 X 17 X 22	
-	KK015817	2	NUT M12 GALV.	
-	KK015825	1	M16 NUT	
-	KK015834	2	NUT M20	
-	KK032765	1	HEX BOLT M16X65 10.9 W/WAX	
-	KK033109	2	BOLT M12X40	
-	KK073800R	1	BRACKET FOR STAY RIGHT	
-	KK073803R	1	STAY	
9	KK070509		KIT EXTRA STAY R	
-	KK032745	1	HEX BOLT M16X45 10.9 WITH WAX	
-	KK015817	2	NUT M12 GALV.	
-	KK015834	2	NUT M20	
-	KK015825	1	M16 NUT	
-	KK033109	2	BOLT M12X40	
-	KK083809R	1	STAY A-SADDLE R/L	
-	KK073807R	1	BRACKET FOR EXTRA STAY RIGHT	
-	KK012922	1	WASHER D17-D40X4.58	
10	KK070519		KIT EXTRA STAY L	
-	KK032745	1	HEX BOLT M16X45 10.9 WITH WAX	
-	KK015817	2	NUT M12 GALV.	
-	KK015834	2	NUT M20	
-	KK015825	1	M16 NUT	
-	KK033109	2	BOLT M12X40	
-	KK083809R	1	STAY A-SADDLE R/L	
-	KK073808R	1	BRACKET FOR EXTRA STAY LEFT	
-	KK012922	1	WASHER D17-D40X4.58	
11	KK070589		KIT EXTRA STAY R E-SADDLE BODY 8	
-	KK032750	1	HEX BOLT M16X50 10.9	

ES/LS / KIT EXTRA STAY BODY 8-9-28

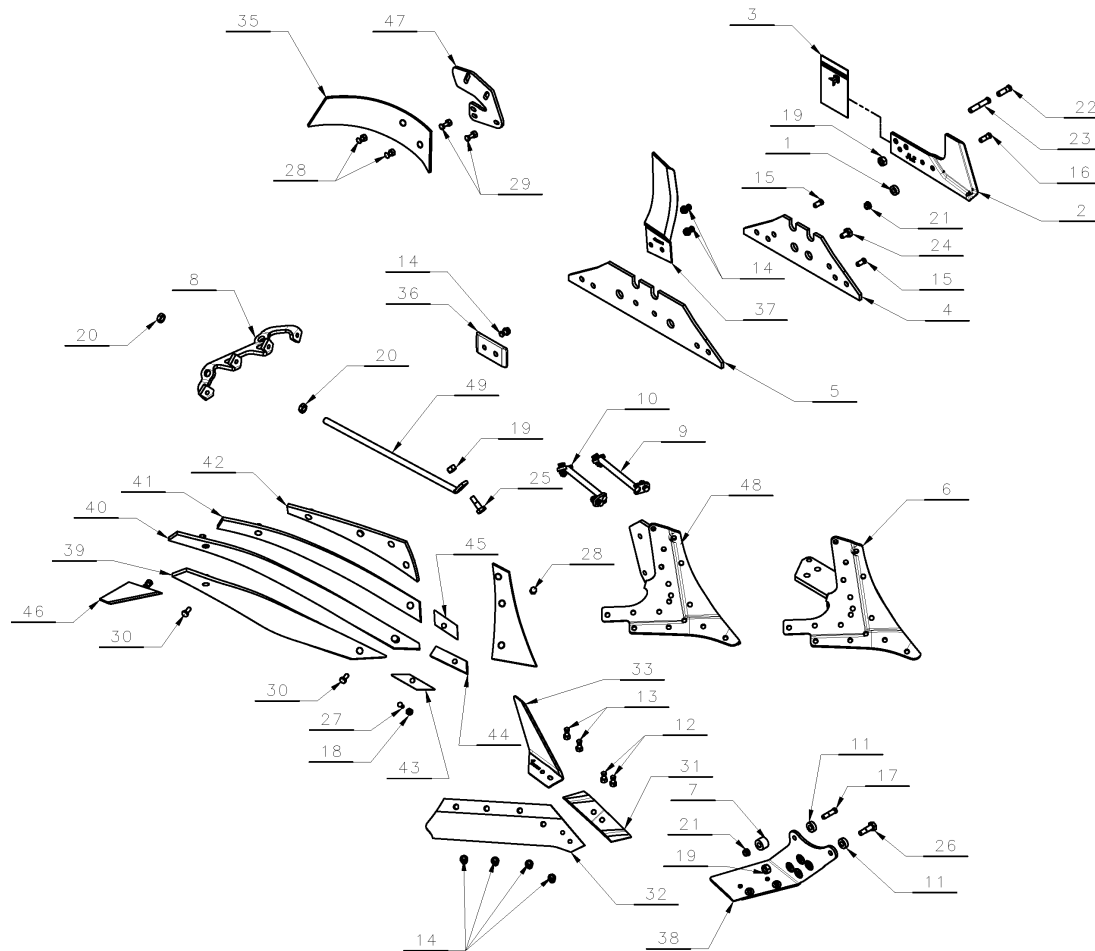


SPMKK001857

ES/LS / KIT EXTRA STAY BODY 8-9-28



PosNo.	Part No.	Qty.	Description	Remark
-	KK015817	2	NUT M12 GALV.	
-	KK015834	2	NUT M20	
-	KK015825	1	M16 NUT	
-	KK033109	2	BOLT M12X40	
-	KK083810R	1	STAY E-SADDLE BODY NO 28	
-	KK073807R	1	BRACKET FOR EXTRA STAY RIGHT	
12	KK070599	1	KIT EXTRA STAY L E-SADDLE BODY 8	
-	KK015834	2	NUT M20	
-	KK073808R	1	BRACKET FOR EXTRA STAY LEFT	
-	KK032750	1	HEX BOLT M16X50 10.9	
-	KK015825	1	M16 NUT	
-	KK015817	2	NUT M12 GALV.	
-	KK033109	2	BOLT M12X40	
-	KK083810R	1	STAY E-SADDLE BODY NO 28	

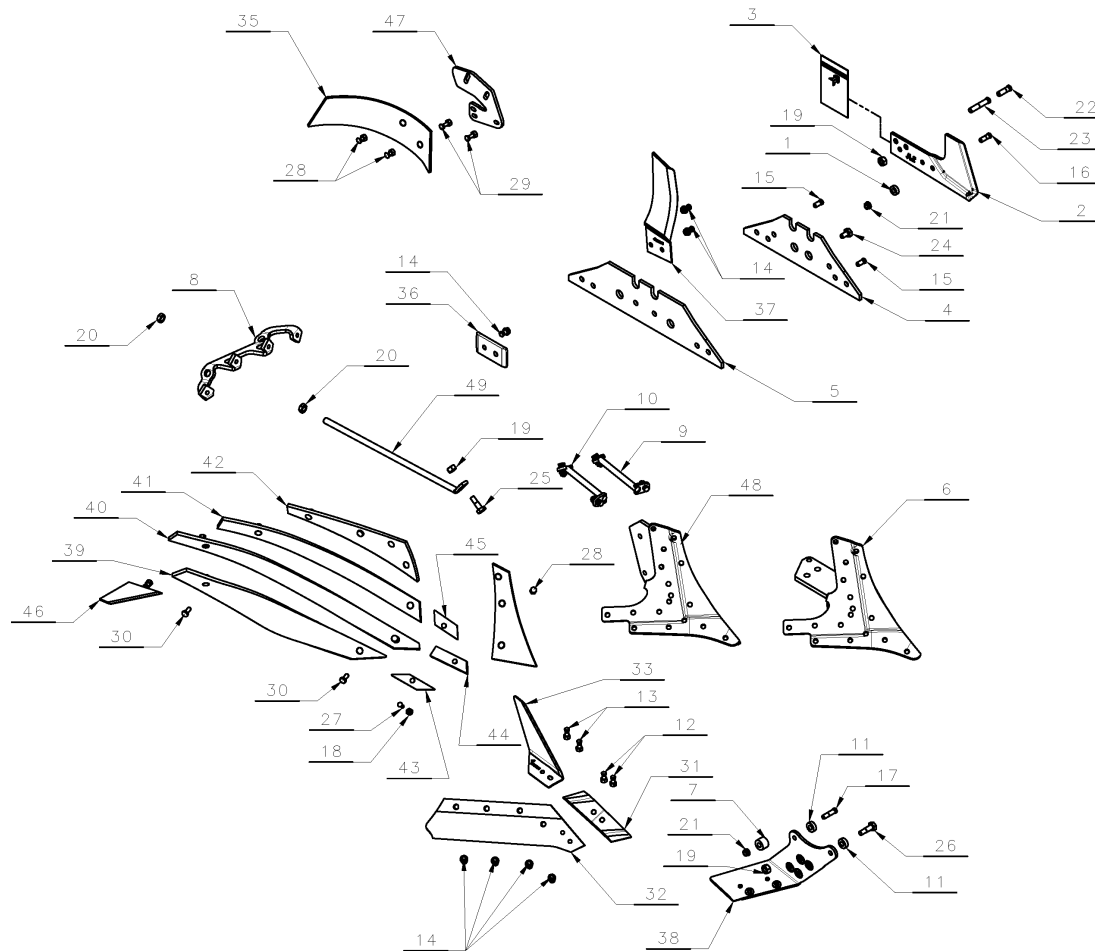


SPMKK003413

ES/LS / BODY - 30



PosNo.	Part No.	Qty.	Description	Remark
1	A133217961	1	WASHER D16.25-D31.2X11	
2	A133229488	1	LANDSIDE KNIFE RIGHT	
2	A133229588	1	LANDSIDE KNIFE LEFT	
3	A133230330	1	BAG W/SCREWS AND WASHER (A1332294/95)	
4	A133397394	1	LANDSIDE SHORT R/L	
5	A133397494	1	LANDSIDE LONG R/L	
6	A133453394	1	E-SADDLE WE RIGHT BODY NO 30	
6	A133453494	1	E-SADDLE WE LEFT BODY NO 30	
7	A152077688	1	BUSHING D17- D38X27	FOR A SADDLE
7	A152077788	1	BUSHING D17-D38X40	FOR AB-AD-BE
8	A152116694	1	SLAT SUPPORT BODY NO. 30 RIGHT	
8	A152116794	1	SLAT SUPPORT BODY NO. 30 LEFT	
9	A152217632	1	STIFFENER SADDLE A BODY 30 R W/BOLTS	FOR A SADDLE
10	A152217732	1	STIFFENER SADDLE A BODY 30 L W/BOLTS	FOR A SADDLE
11	KK012929	1	WASHER D16.5XD35.0X12.0	
12	KK013228R	1	CS BOLT M12X34	
13	KK013234R	1	SHAREBOLT M12X38	
14	KK013332R	1	BOLT M14X34 W/NUT	
15	KK013333	1	CONE SCREW M14X34	
16	KK013346	1	CONE SCREW M14X45 GALV.	
17	KK013361	1	CONE SCREW M14X60 12.9	FOR E SADDLE
17	KK013385	1	CONE SCREW M14X85 10.9 GALV	FOR A SADDLE
18	KK015813	1	NUT M10 GALV.	
19	KK015825	1	M16 NUT	
20	KK015834	1	NUT M20	
21	KK016015	1	FLANGE NUT M14 GALV.	
22	KK031905	1	CONICAL SCREW M16X55 12.9	
23	KK031909	1	CONICAL SCREW M16X90 12.9	
24	KK032725	1	HEX BOLT M16X27 10.9	
25	KK032750	1	HEX BOLT M16X50 10.9	FOR E SADDLE
25	KK015825	1	M16 NUT	
26	KK032755	1	HEX BOLT M16X55 10.9	
26	KK032765	1	HEX BOLT M16X65 10.9 W/WAX	FOR A SADDLE
26	KK032775	1	HEX BOLT M16X75 10.9	FOR AB-AD-BE
27	KK033007	1	OVAL SCREW M10X35 GALV.	
28	KK033100R	1	CS BOLT M12X30	
29	KK033108R	1	BOLT M12X40	
30	KK033116	1	OVAL SCREW M12X35	
31	KK053090R	1	REVERSIBLE POINT R BOXED W/BOLTS	
31	KK063090R	1	REVERSIBLE POINT L BOXED W/BOLTS	

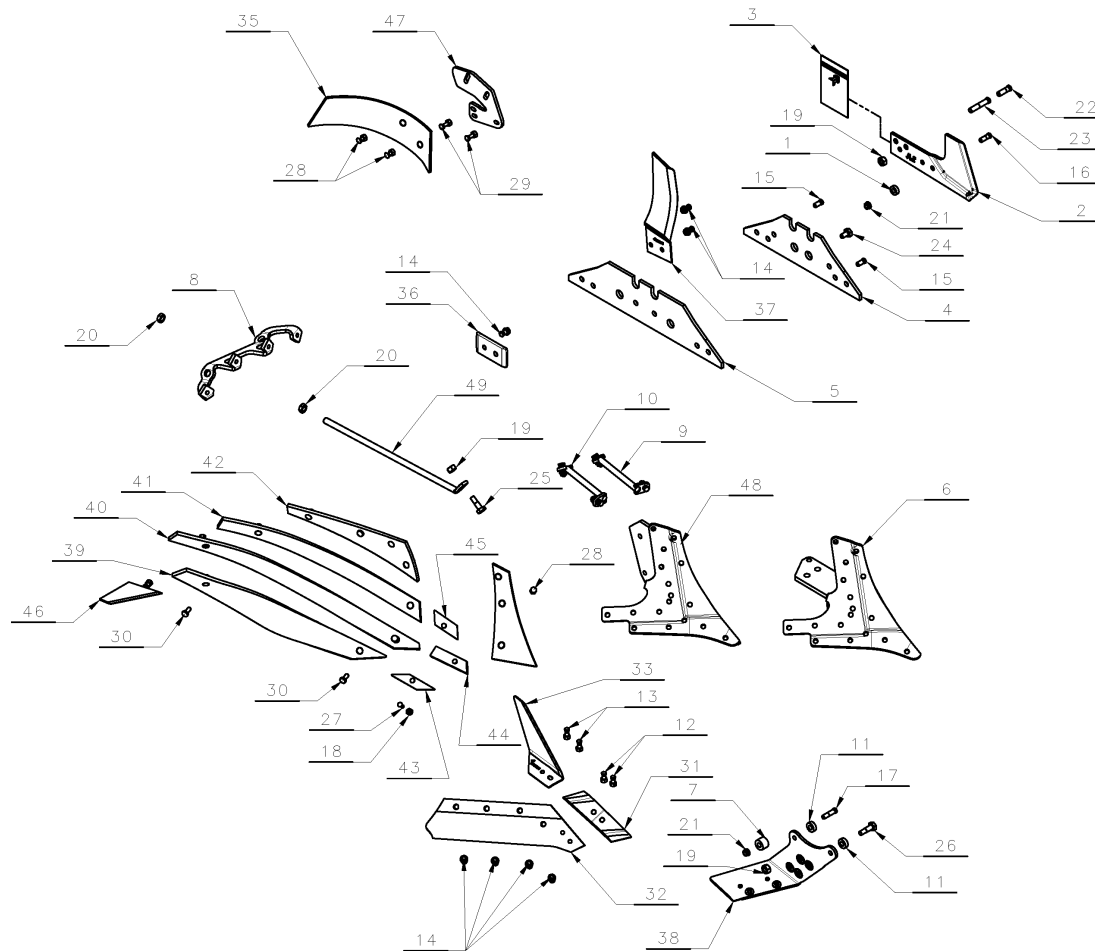


SPMKK003413

ES/LS / BODY - 30



PosNo.	Part No.	Qty.	Description	Remark
32	KK07305486	1	SHARE 14 REVERSIBLE POINT RIGHT	
32	KK07305586	1	SHARE 14 REVERSIBLE POINT LEFT	
32	KK07305686	1	SHARE 16 REVERSIBLE POINT RIGH	
32	KK07305786	1	SHARE 16 REVERSIBLE POINT LEFT	
32	KK07308086	1	SHARE 18 REVERSIBLE POINT RIGH	
32	KK07308186	1	SHARE 18 REVERSIBLE POINT LEFT	
33	KK073091R	1	SHARE KNIFE R.	
33	KK073092R	1	SHARE KNIFE L.	
33	KK063091R	1	SHARE KNIFE R.	FOR SWEEDEN
33	KK063092R	1	SHARE KNIFE L.	FOR SWEEDEN
34	KK073230R	1	SHINPIECE R.	
34	KK073231R	1	SHINPIECE WITH BOLTS FOR BODY	
35	KK073300R	1	TRAHSBOARD R	
35	KK073301R	1	TRASHBOARD L.	
36	KK073614R	1	WEARING PIECE FOR 073609	
37	KK073615R	1	FURROW OPENER R.	
37	KK073616R	1	FURROW OPENER L.	
38	KK073634R	1	ECO-SHARE WITH BOLTS RH	
38	KK073635R	1	ECO-SHARE WITH BOLTS LH	
39	KK083211R	1	FINGER NO 1 R.H BODY NO 30 W/BOLT	
39	KK083221R	1	FINGER NO 1 L.H BODY NO 30 W/BOLT	
40	KK083212R	1	FINGER NO 2 R.H BODY NO 30 W/B	
40	KK083222R	1	FINGER NO 2 L.H BODY NO 30 W/B	
41	KK083213R	1	FINGER NO 3 R.H BODY NO 30 W/B	
41	KK083223R	1	FINGER NO 3 L.H BODY NO 30 W/B	
42	KK083214R	1	FINGER NO 4 R.H BODY NO 30 W/BOLT	
42	KK083224R	1	FINGER NO 4 L.H BODY NO 30 W/BOLT	
43	KK083215R	1	PLASTIC SPACER 1/2 R/L NO 30 W/BOLT	FOR SLAT 1-2
43	A133796830	1	STEEL SPACER 1/2 R NO 30 W/BOLT	FOR SLAT 1-2-R
43	A133796930	1	STEEL SPACER 1/2 L NO 30 W/BOLT	FOR SLAT 1-2-L
44	KK083216R	1	PLASTIC SPACER 2/3 R/L NO 30 W/BOLT	FOR SLAT 2-3
44	A133797030	1	STEEL SPACER 2/3 R NO 30 W/BOLT	FOR SLAT 2-3-R
44	A133797130	1	STEEL SPACER 2/3 L NO 30 W/BOLT	FOR SLAT 2-3-L
45	KK083217R	1	PLASTIC SPACER 3/4 R/L NO 30 W/BOLT	FOR SLAT 3-4
45	A133797230	1	STEEL SPACER 3/4 R NO 30 W/BOLT	FOR SLAT 3-4-R
45	A133797330	1	STEEL SPACER 3/4 L NO 30 W/BOLT	FOR SLAT 3-4-L
46	KK083235R	1	FURROW SPLITTER W/BOLT	
47	KK083300R	1	TRASHBOARD BRACKET R BODY NO 30	
47	KK083301R	1	TRASHBOARD BRACKET L BODY NO 30	
48	KK083406R	1	A-SADDLE WE RIGHT BODY NO 30	

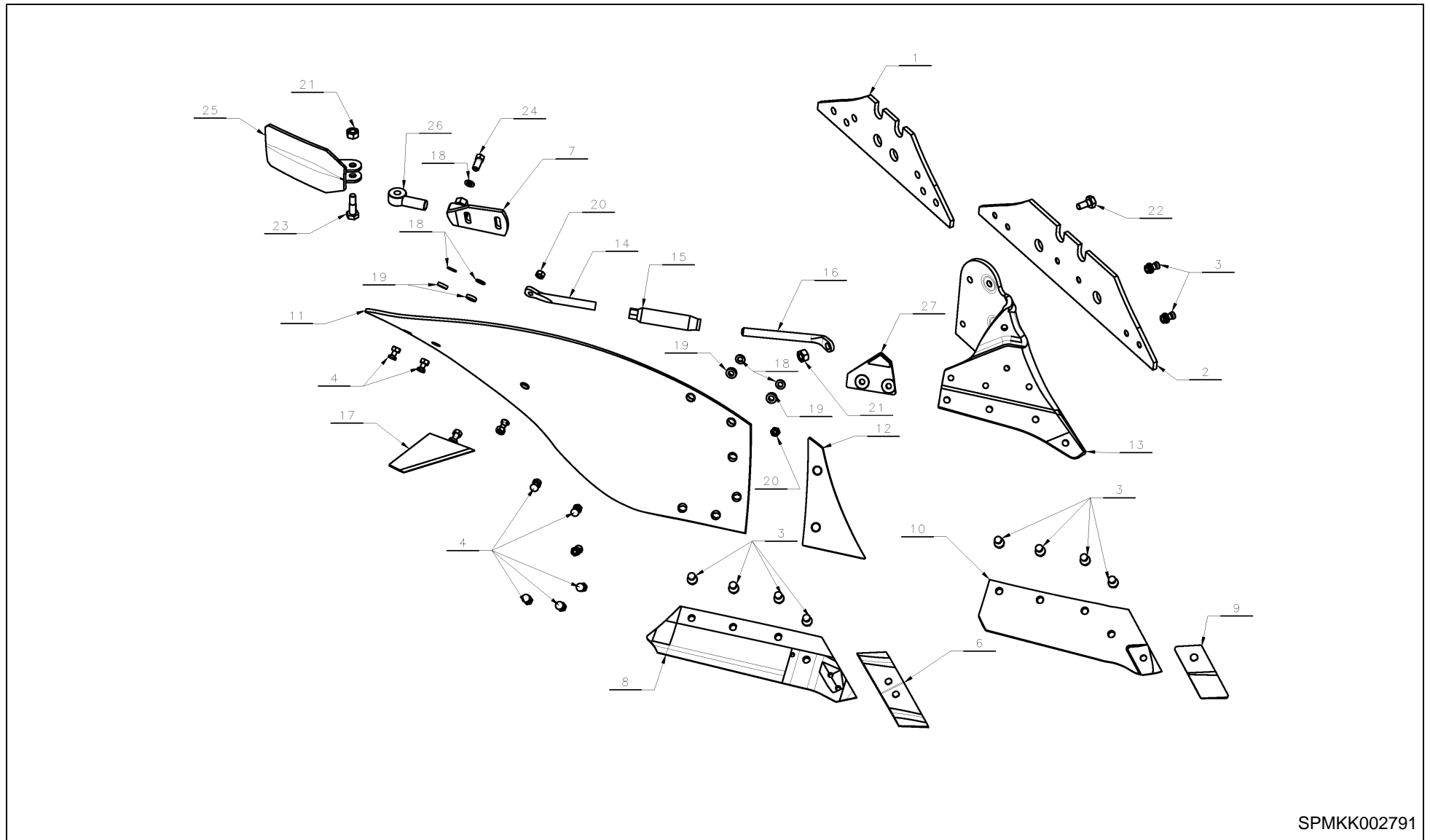


SPMKK003413

ES/LS / BODY - 30



PosNo.	Part No.	Qty.	Description	Remark
48	KK083407R	1	A-SADDLE WE LEFT BODY NO 30	
49	KK083802R	1	STAY NO 1 A-SADDLE BODY NO 30	
49	KK083803R	1	STAY NO 2 SADDLE A&E BODY NO 30	
49	KK083804R	1	STAY NO 1 SADDLE E BODY 30 R&L	

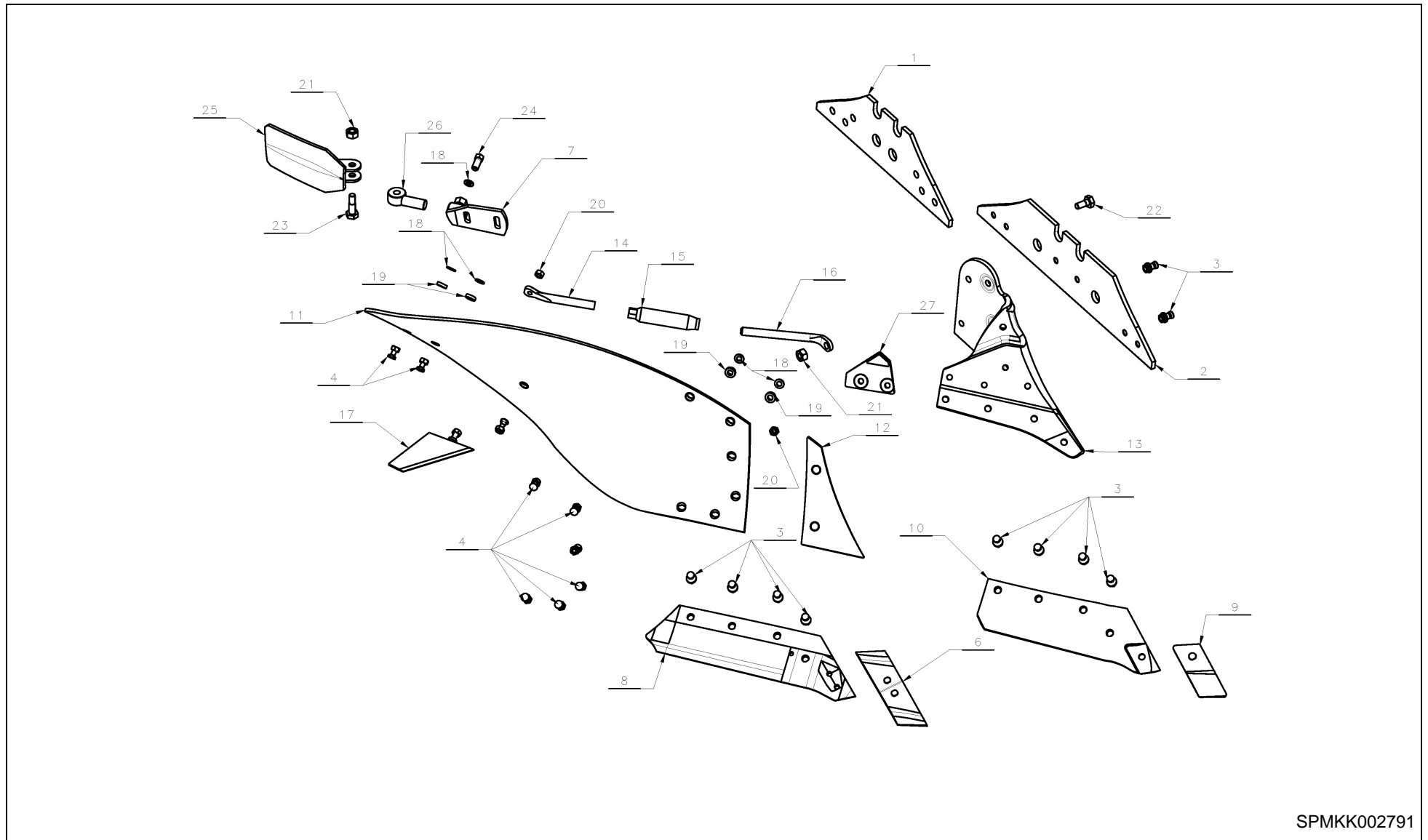


SPMKK002791

ES/LS / BODY NO. 25



PosNo.	Part No.	Qty.	Description	Remark
1	A133397394	1	LANDSIDE SHORT R/L	
2	A133397494	1	LANDSIDE LONG R/L	
3	KK013332R	1	BOLT M14X34 W/NUT	
4	KK033100R	1	CS BOLT M12X30	
5	KK033107R	1	BOLT M12X35 W/NUT	
6	KK053090R	1	REVERSIBLE POINT R BOXED W/BOLTS	
6	KK063090R	1	REVERSIBLE POINT L BOXED W/BOLTS	
7	KK053392R	1	EXTENSION BRACKET	
7	KK053340	1	BRACKET EXTENSION WELDED L. NO 25	
8	KK07300086	1	SHARE 12 F/REV.POINT RIGHT	
8	KK07300186	1	SHARE 12 F/REV.POINT LEFT	
8	KK07300286	1	SHARE 14 F/REV.POINT RIGHT	
8	KK07300386	1	SHARE 14 F/REV.POINT LEFT	
8	KK07300486	1	SHARE 16 F/REV.POINT RIGHT	
8	KK07300586	1	SHARE 16 F/REV.POINT LEFT	
8	KK07300686	1	SHARE 18 F/REV.POINT RIGHT	
8	KK07300786	1	SHARE 18 F/REV.POINT LEFT	
9	KK073030R	1	FLUSHPOINT R	
9	KK073031R	1	FLUSHPOINT L	
10	KK07304286	1	FLUSH FIT SHARE 14 R	
11	KK07310294	1	MOULDBOARD NO.25 COMPETITION RIGHT	
11	KK07310394	1	MOULDBOARD NO.25 COMPETITION LEFT	
11	KK073104	1	PLASTIC MOULDBOARD RH NO. 25	
11	KK073105	1	PLASTIC MOULDBOARD LH NO. 25	
12	KK073250R	1	SHINPIECE R.	
12	KK073251R	1	SHINPIECE L.	
13	KK073411R	1	SADDLE A RIGHT	
13	KK073412R	1	SADDLE A LEFT	
13	KK073406R	1	SADDLE W/SUPPORT RIGHT	
13	KK073407R	1	SADDLE W/SUPPORT LEFT	
14	KK073815R	1	STAY REAR PART	
14	KK073845R	1	STAY REAR PART NO.25	
15	KK073817R	1	TURNBUCKLE SJK 500	
16	KK073818R	1	STAY FRONT COMPETITION	
16	KK073844R	1	STAY	
16	KK073819R	1	STAY, COMPETITION	
16	KK073843R	1	STAY COMPLETE E-SADDLE COMPETITION	
17	KK083235R	1	FURROW SPLITTER W/BOLT	
18	KK012919	1	WASHER D13.0XD24.0X2.50	
19	KK013001	1	WASHER D26XD14.3X7	

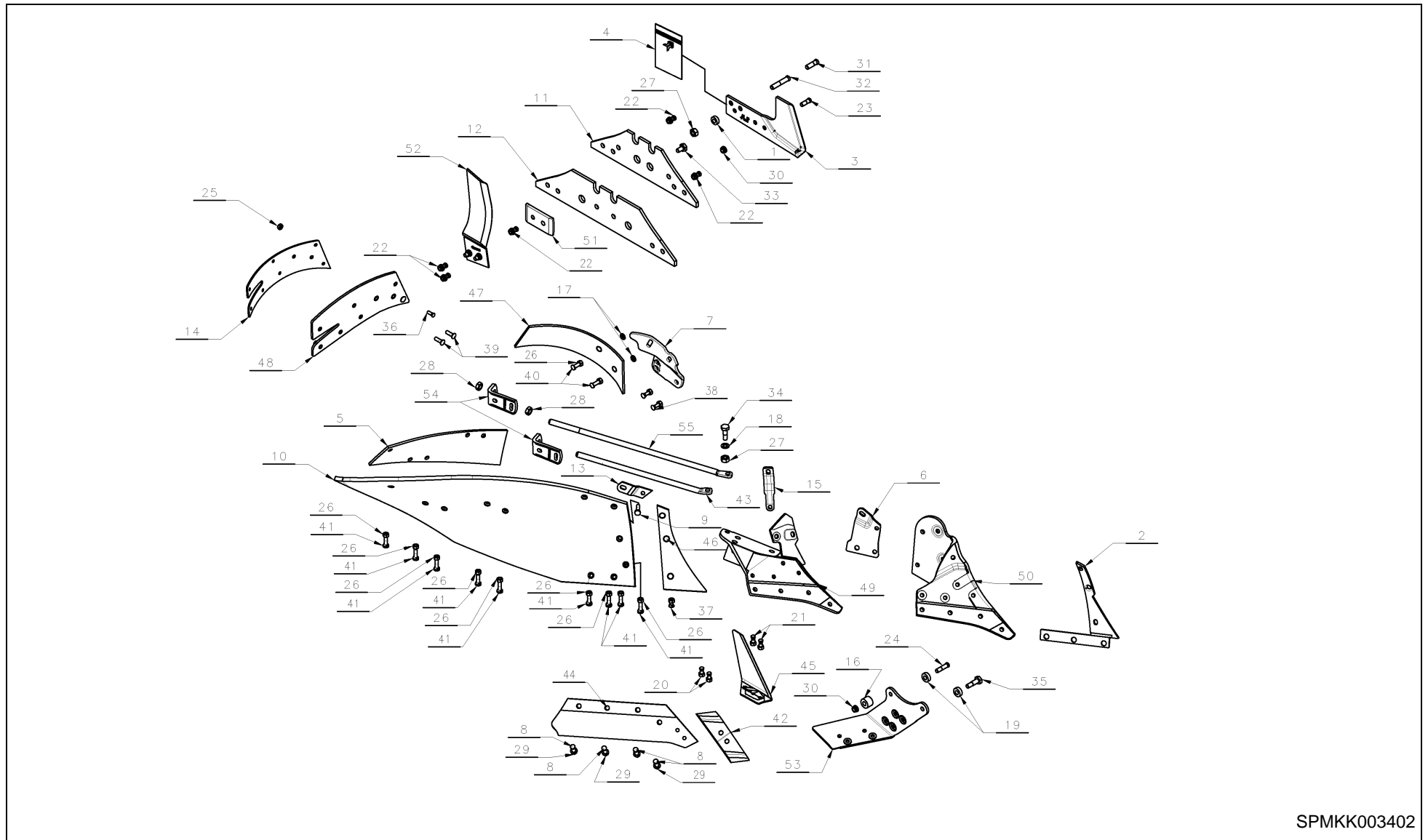


SPMKK002791

ES/LS / BODY NO. 25



PosNo.	Part No.	Qty.	Description	Remark
20	KK015818	1	NUT M12 BLACK	
21	KK015825	1	M16 NUT	
22	KK032735	1	HEX BOLT M16X35 10.9	
23	KK032755	1	HEX BOLT M16X55 10.9	
24	KK034228	1	SET SCREW M16X32 GALV.	
25	KK053390	1	MOULDBOARD EXTENSION	
25	KK053330	1	MOULD BOARD EXTENSION WELDED L.	
25	KK050373	1	MOULDBOARD EXTENSION BODY NO.25 R	
25	KK050374	1	MOULDBOARD EXTENSION BODY NO.25 L	
26	KK053391	1	LINK	
27	A133451994	1	CONNECTION PIECE RIGHT	
27	A133452094	1	CONNECTION PIECE LEFT	

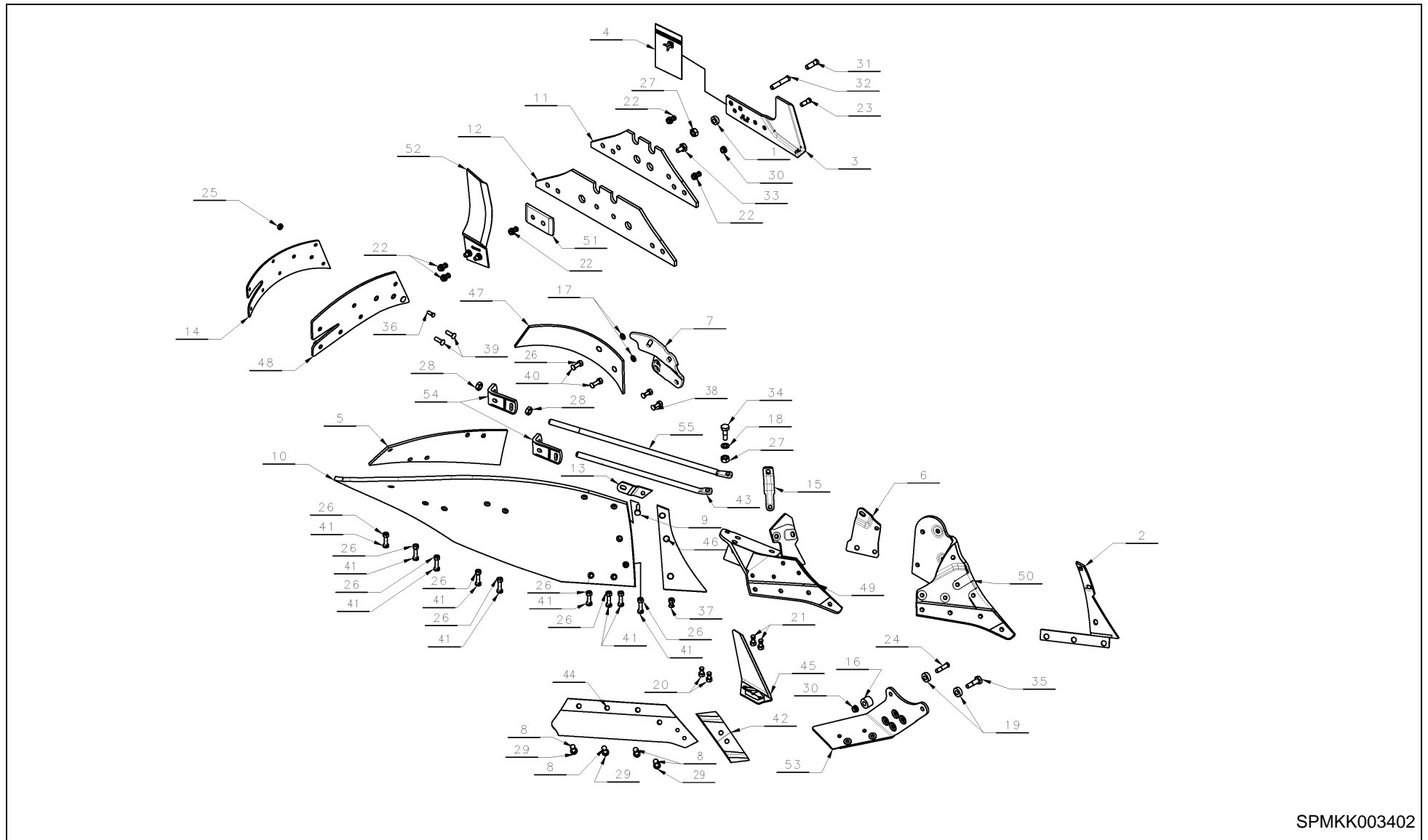


SPMKK003402

ES/LS / PLASTIC BODY NR.34



PosNo.	Part No.	Qty.	Description	Remark
1	A133217961	1	WASHER D16.25-D31.2X11	
2	A133218178	1	SPACER POLYETHYLENE FOR BODY 34	
3	A133229488	1	LANDSIDE KNIFE RIGHT	
3	A133229588	1	LANDSIDE KNIFE LEFT	
4	A133230330	1	BAG W/SCREWS AND WASHER (A1332294/95)	
5	A133256694	1	MOULDBOARD SUPPORT NR. 34 RIGHT	
5	A133256794	1	MOULDBOARD SUPPORT NR. 34 LEFT	
6	A133256894	1	BASEPLATE RIGHT	A-saddle
6	A133256994	1	BASEPLATE LEFT	A-saddle
7	A133257088	1	TRASBOARD BRACKET BODY NR. 34 RIGHT	
7	A133257188	1	TRASBOARD BRACKET BODY NR. 34 LEFT	
8	A133301861	1	CONE SCREW M14 X 40	
9	A133311261	1	OVAL SCREW M12 X 55	
10	A133320330	1	PLASTIC MOULDBOARD NO.34 RIGHT W/BOLTS	
10	A133320430	1	PLASTIC MOULDBOARD NO.34 LEFT W/BOLTS	
11	A133397394	1	LANDSIDE SHORT R/L	
12	A133397494	1	LANDSIDE LONG R/L	
13	A133452194	1	CONNECTING PIECE NO. 19 R	
13	A133452294	1	CONNECTING PIECE NO. 19 L	
14	A133504288	1	SUPPORT PLATE RIGHT	
14	A133504388	1	SUPPORT PLATE LEFT	
15	A133787894	1	BRACKET FOR PLASTIC TRASBOARD	
16	A152077688	1	BUSHING D17- D38X27	For A-saddle
17	KK012919	1	WASHER D13.0XD24.0X2.50	
18	KK012927	1	WASHER D17.0XD30X3	
19	KK012929	1	WASHER D16.5XD35.0X12.0	
20	KK013228R	1	CS BOLT M12X34	
21	KK013234R	1	SHAREBOLT M12X38	
22	KK013332R	1	BOLT M14X34 W/NUT	
23	KK013346	1	CONE SCREW M14X45 GALV.	
24	KK013361	1	CONE SCREW M14X60 12.9	
25	KK015813	1	NUT M10 GALV.	
26	KK015818	1	NUT M12 BLACK	
27	KK015825	1	M16 NUT	
28	KK015834	1	NUT M20	
29	KK016013	1	FLANGE NUT M14 KEY19	
30	KK016015	1	FLANGE NUT M14 GALV.	
31	KK031905	1	CONICAL SCREW M16X55 12.9	
32	KK031909	1	CONICAL SCREW M16X90 12.9	
33	KK032725	1	HEX BOLT M16X27 10.9	

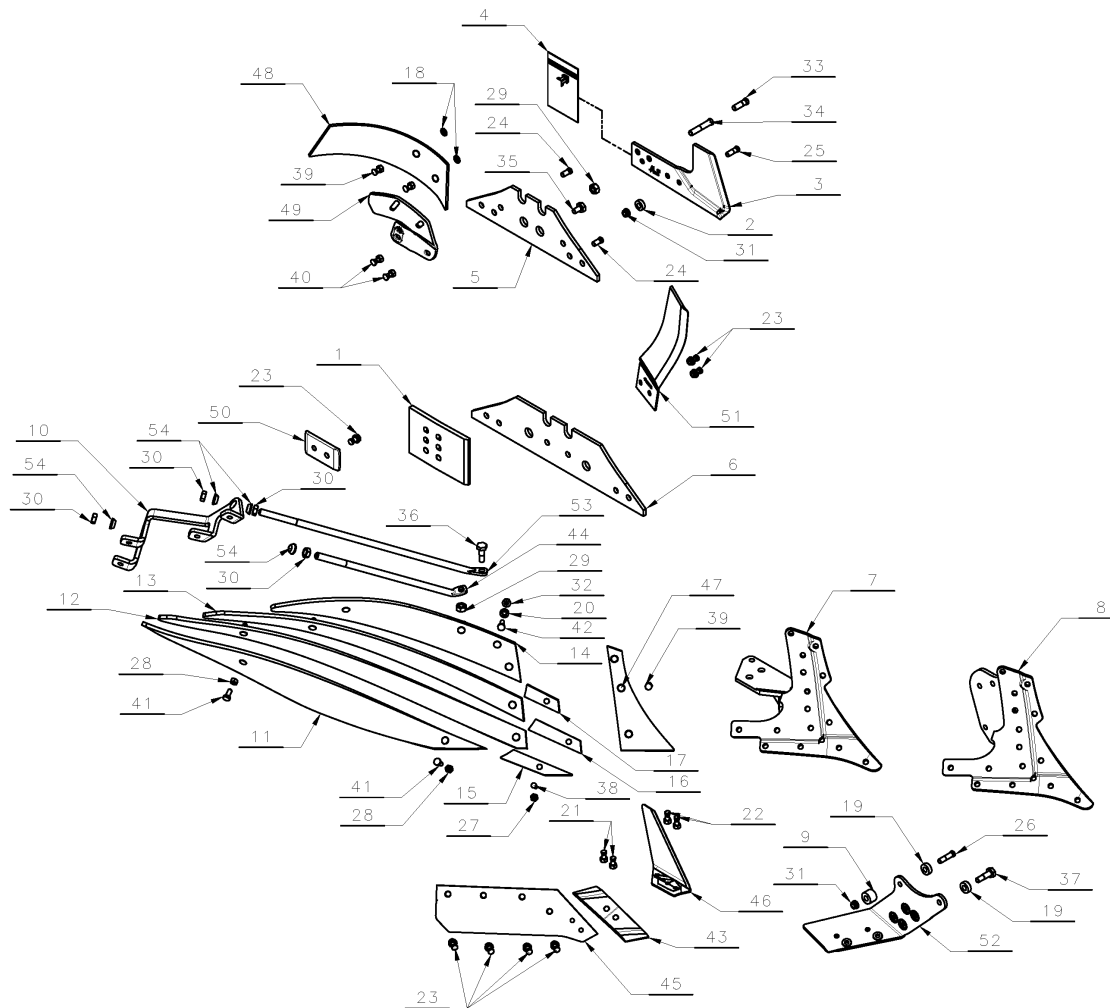


SPMKK003402

ES/LS / PLASTIC BODY NR.34



PosNo.	Part No.	Qty.	Description	Remark
34	KK032750	1	HEX BOLT M16X50 10.9	
35	KK032755	1	HEX BOLT M16X55 10.9	
35	KK032765	1	HEX BOLT M16X65 10.9 W/WAX	For A-saddle
35	KK032775	1	HEX BOLT M16X75 10.9	For AB, AD, BE
36	KK033016	1	OVAL SCREW M10X30 GALV.	
37	KK033100R	1	CS BOLT M12X30	
38	KK033108R	1	BOLT M12X40	
39	KK033109	1	BOLT M12X40	
40	KK033111	1	OVAL SCREW M12X45 GALV.	
41	KK033119	1	OVAL SCREW M12X50 GALV.	
42	KK053090R	1	REVERSIBLE POINT R BOXED W/BOLTS	
42	KK063090R	1	REVERSIBLE POINT L BOXED W/BOLTS	
43	KK063801R	1	STAY	
43	KK063806R	1	STAY	E-saddle
44	KK07300486	1	SHARE 16 F/REV.POINT RIGHT	40cm
44	KK07300586	1	SHARE 16 F/REV.POINT LEFT	40cm
44	KK07300686	1	SHARE 18 F/REV.POINT RIGHT	45cm
44	KK07300786	1	SHARE 18 F/REV.POINT LEFT	45cm
45	KK073091R	1	SHARE KNIFE R.	
45	KK073092R	1	SHARE KNIFE L.	
45	KK063091R	1	SHARE KNIFE R.	
45	KK063092R	1	SHARE KNIFE L.	
46	KK073256R	1	SHINPIECE R.	
46	KK073257R	1	SHINPIECE L.	
47	KK073300R	1	TRASHBOARD R	
47	KK073301R	1	TRASHBOARD L.	
48	KK073350R	1	TRASHBOARD PLASTIC	
49	KK073406R	1	SADDLE W/SUPPORT RIGHT	E-saddle
49	KK073407R	1	SADDLE W/SUPPORT LEFT	E-saddle
50	KK073411R	1	SADDLE A RIGHT	A-saddle
50	KK073412R	1	SADDLE A LEFT	A-saddle
51	KK073614R	1	WEARING PIECE FOR 073609	
52	KK073615R	1	FURROW OPENER R.	
52	KK073616R	1	FURROW OPENER L.	
53	KK073634R	1	ECO-SHARE WITH BOLTS RH	
53	KK073635R	1	ECO-SHARE WITH BOLTS LH	
54	KK073800R	1	BRACKET FOR STAY RIGHT	Right
54	KK073801R	1	BRACKET FOR STAY LEFT	Left
55	KK083809R	1	STAY A-SADDLE R/L	A-saddle
55	KK083810R	1	STAY E-SADDLE BODY NO 28	E-saddle

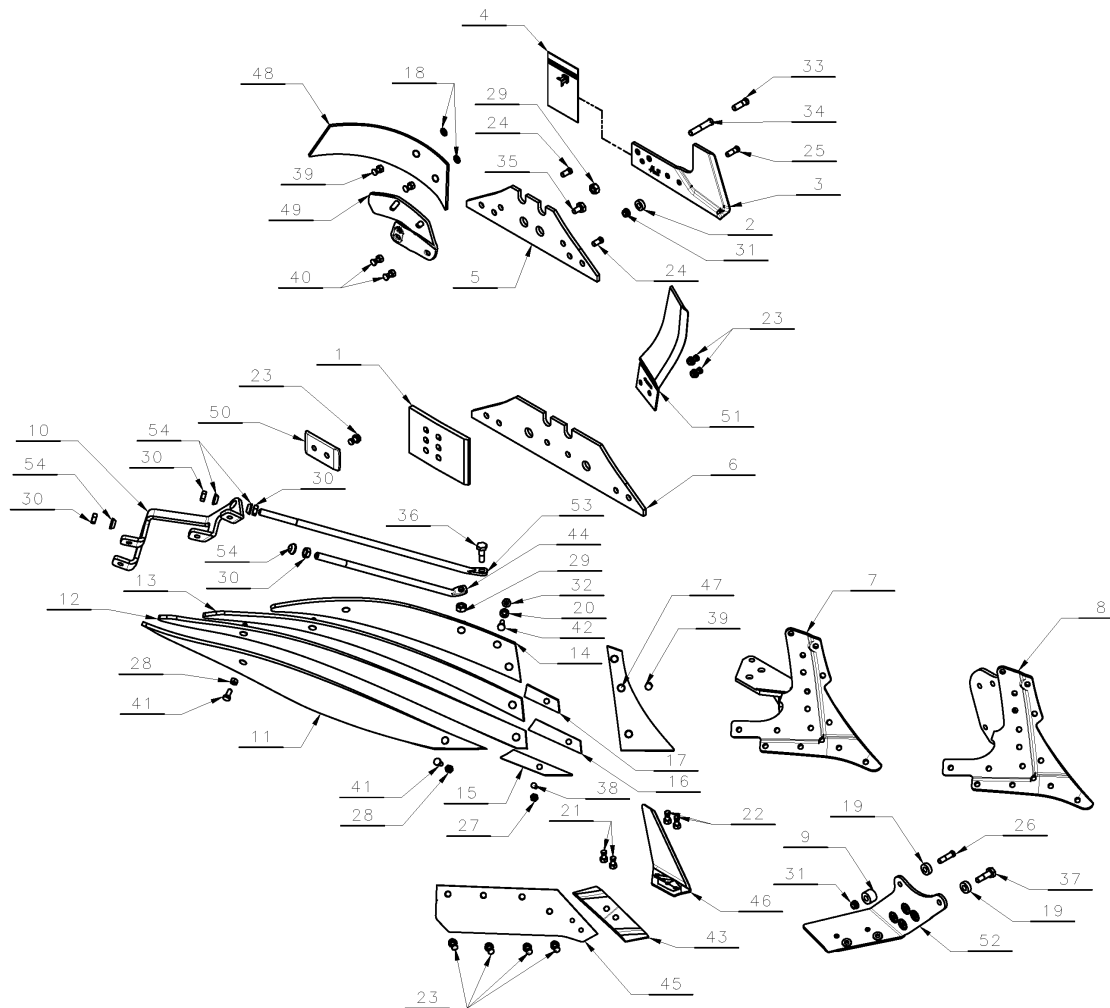


SPMKK003467

ES/LS / BODY NR.40



PosNo.	Part No.	Qty.	Description	Remark
1	A133097232	1	LANDSIDE EXTENSION PLATE W/BOLTS	For landside long A133397494
2	A133217961	1	WASHER D16.25-D31.2X11	
3	A133229488	1	LANDSIDE KNIFE RIGHT	
3	A133229588	1	LANDSIDE KNIFE LEFT	
4	A133230330	1	BAG W/SCREWS AND WASHER (A1332294/95)	
5	A133397394	1	LANDSIDE SHORT R/L	
6	A133397494	1	LANDSIDE LONG R/L	
7	A133694094	1	SADDLE E BODY NO. 40 RIGHT	
7	A133694194	1	SADDLE E BODY NO. 40 LEFT	
8	A133730894	1	SADDLE A BODY NO. 40 RIGHT	
8	A133730994	1	SADDLE A BODY NO. 40 LEFT	
9	A152077688	1	BUSHING D17- D38X27	(For A-saddle)
9	A152077788	1	BUSHING D17-D38X40	(For AB, AD, BE)
10	A152154194	1	SLAT SUPPORT BODY NO. 40 RIGHT	
10	A152154294	1	SLAT SUPPORT BODY NO. 40 LEFT	
11	A152232732	1	FINGER NO. 1 BODY NO. 40 W/BOLTS RIGHT	
11	A152232832	1	FINGER NO. 1 BODY NO. 40 W/BOLTS LEFT	
12	A152232932	1	FINGER NO. 2 BODY NO. 40 W/BOLTS RIGHT	
12	A152233032	1	FINGER NO. 2 BODY NO. 40 W/BOLTS LEFT	
13	A152233132	1	FINGER NO. 3 BODY NO. 40 W/BOLTS RIGHT	
13	A152233232	1	FINGER NO. 3 BODY NO. 40 W/BOLTS LEFT	
14	A152233332	1	FINGER NO. 4 BODY NO. 40 W/BOLTS RIGHT	
14	A152233432	1	FINGER NO. 4 BODY NO. 40 W/BOLTS LEFT	
15	A152233530	1	PLASTIC SPACER 1/2 BODY NO. 40 W/BOLT	
15	A152234130	1	STEEL SPACER 1/2 BODY NO. 40 W/BOLT R	
15	A152234230	1	STEEL SPACER 1/2 BODY NO. 40 W/BOLT L	
16	A152233630	1	PLASTIC SPACER 2/3 BODY NO. 40 W/BOLT	
16	A152234330	1	STEEL SPACER 2/3 BODY NO. 40 W/BOLT R	
16	A152234430	1	STEEL SPACER 2/3 BODY NO. 40 W/BOLT L	
17	A152233730	1	PLASTIC SPACER 3/4 BODY NO. 40 W/BOLT	
17	A152234530	1	STEEL SPACER 3/4 BODY NO. 40 W/BOLT R	
17	A152234630	1	STEEL SPACER 3/4 BODY NO. 40 W/BOLT L	
18	KK012919	1	WASHER D13.0XD24.0X2.50	
19	KK012929	1	WASHER D16.5XD35.0X12.0	
20	KK013001	1	WASHER D26XD14.3X7	
21	KK013228R	1	CS BOLT M12X34	
22	KK013234R	1	SHAREBOLT M12X38	
23	KK013332R	1	BOLT M14X34 W/NUT	
24	KK013333	1	CONE SCREW M14X34	
25	KK013346	1	CONE SCREW M14X45 GALV.	

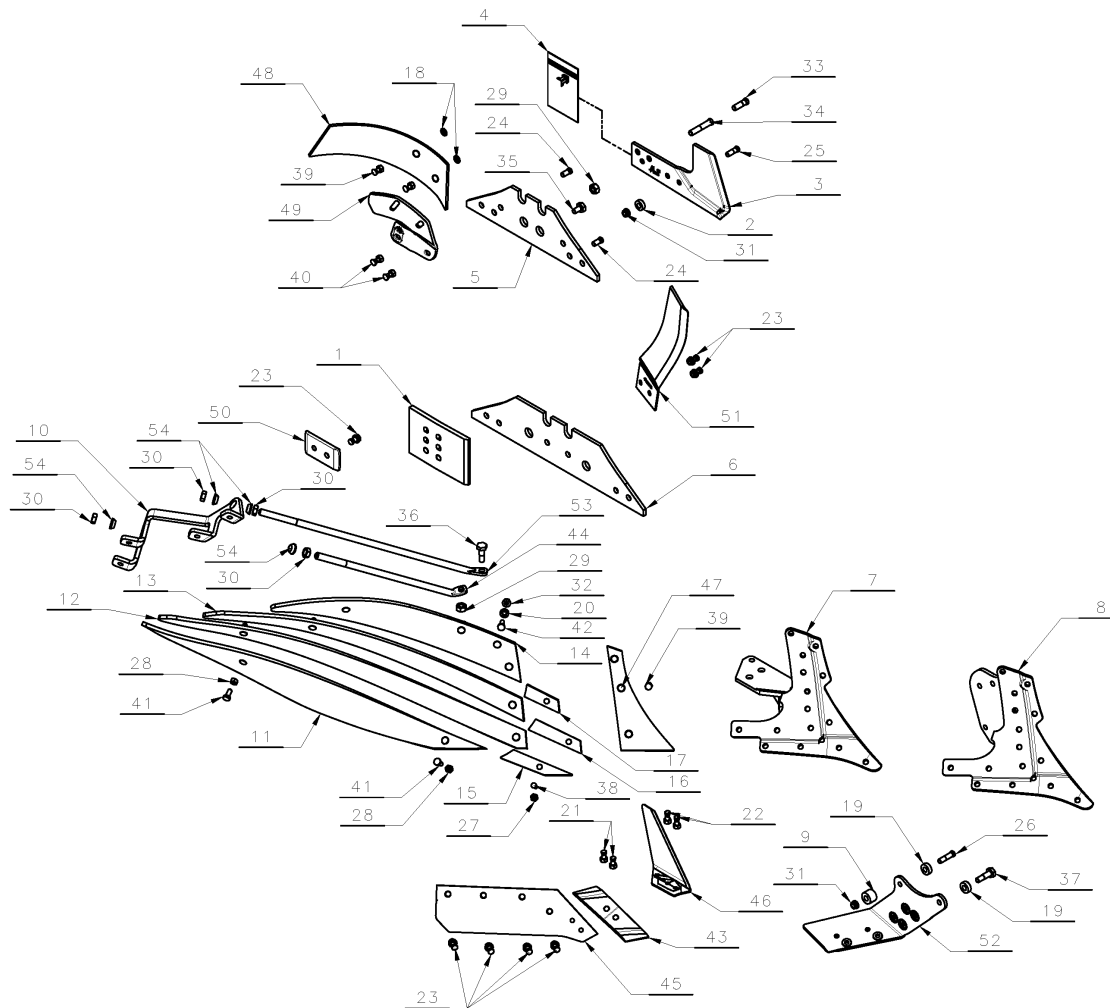


SPMKK003467

ES/LS / BODY NR.40



PosNo.	Part No.	Qty.	Description	Remark
26	KK013361	1	CONE SCREW M14X60 12.9	
27	KK015813	1	NUT M10 GALV.	
28	KK015817	1	NUT M12 GALV.	
29	KK015825	1	M16 NUT	
30	KK015834	1	NUT M20	
31	KK016015	1	FLANGE NUT M14 GALV.	
32	KK016038	1	FLANGE NUT M12	
33	KK031905	1	CONICAL SCREW M16X55 12.9	
34	KK031909	1	CONICAL SCREW M16X90 12.9	
35	KK032725	1	HEX BOLT M16X27 10.9	
36	KK032750	1	HEX BOLT M16X50 10.9	
37	KK032740	1	HEX BOLT M16X40 10.9	For E-saddle
37	KK032755	1	HEX BOLT M16X55 10.9	
37	KK032765	1	HEX BOLT M16X65 10.9 W/WAX	For A- saddle
37	KK032775	1	HEX BOLT M16X75 10.9	(For AB, AD, BE)
38	KK033007	1	OVAL SCREW M10X35 GALV.	
39	KK033100R	1	CS BOLT M12X30	
40	KK033107R	1	BOLT M12X35 W/NUT	
41	KK033116	1	OVAL SCREW M12X35	
42	KK033117	1	OVAL SCREW M12X45	
43	KK053090R	1	REVERSIBLE POINT R BOXED W/BOLTS	
43	KK063090R	1	REVERSIBLE POINT L BOXED W/BOLTS	
44	KK063806R	1	STAY	
44	A152264662	1	STAY SHORT SADDLE A BODY NO. 40	For A-saddle
45	KK07300486	1	SHARE 16 F/REV.POINT RIGHT	40CM
45	KK07300586	1	SHARE 16 F/REV.POINT LEFT	40CM
45	KK07300686	1	SHARE 18 F/REV.POINT RIGHT	45CM
45	KK07300786	1	SHARE 18 F/REV.POINT LEFT	45CM
45	KK07300886	1	SHARE 20 F/REV.POINT RIGHT	50CM
45	KK07300986	1	SHARE 20 F/REV.POINT LEFT	50CM
46	KK073091R	1	SHARE KNIFE R.	
46	KK073092R	1	SHARE KNIFE L.	
46	KK063091R	1	SHARE KNIFE R.	(For Sweden)
46	KK063092R	1	SHARE KNIFE L.	(For Sweden)
47	KK073256R	1	SHINPIECE R.	No.9 and 40
47	KK073257R	1	SHINPIECE L.	No.9 and 40
48	KK073300R	1	TRASHBOARD R	
48	KK073301R	1	TRASHBOARD L.	
49	KK083300R	1	TRASHBOARD BRACKET R BODY NO 30	
49	KK083301R	1	TRASHBOARD BRACKET L BODY NO 30	

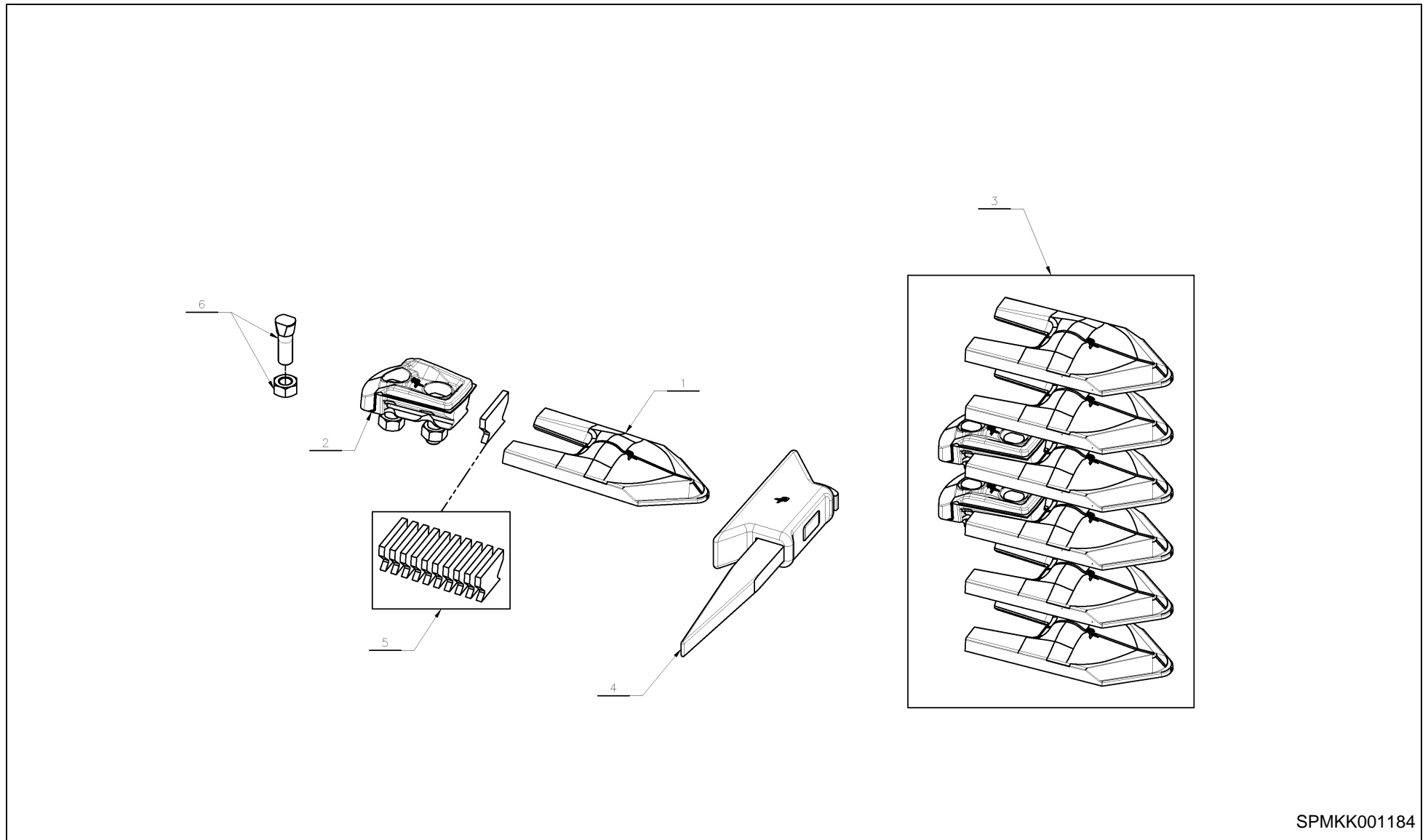


SPMKK003467

ES/LS / BODY NR.40



PosNo.	Part No.	Qty.	Description	Remark
50	KK073614R	1	WEARING PIECE FOR 073609	For landside long A133397494
51	KK073615R	1	FURROW OPENER R.	
51	KK073616R	1	FURROW OPENER L.	
52	KK073634R	1	ECO-SHARE WITH BOLTS RH	
52	KK073635R	1	ECO-SHARE WITH BOLTS LH	
53	KK073831R	1	STAY E-SADDLE R/L	
53	A152264562	1	STAY LONG SADDLE A BODY NO. 40	For A-saddle
54	KK301223	1	CONE D20.5-D32X12	

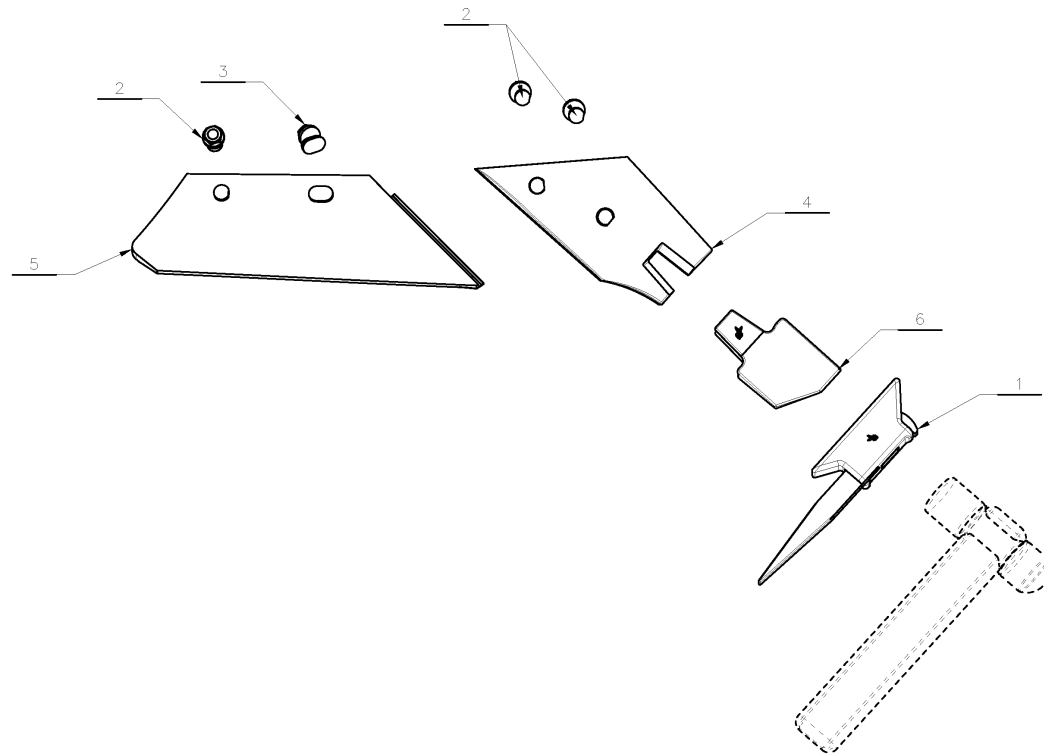


SPMKK001184

ES/LS / KNOCK-ON



PosNo.	Part No.	Qty.	Description	Remark
1	A133016232	1	POINT 80X170	
2	A133016332	1	KNOCK ON HOLDER W/BOLTS	
3	A133017132	1	KNOCK ON KIT	
4	A133147030	1	EJECTOR TOOL	
5	A133501330	1	WEARING PLATE	
6	A152456030	1	CONE SCREW M12X43 W/NUT	

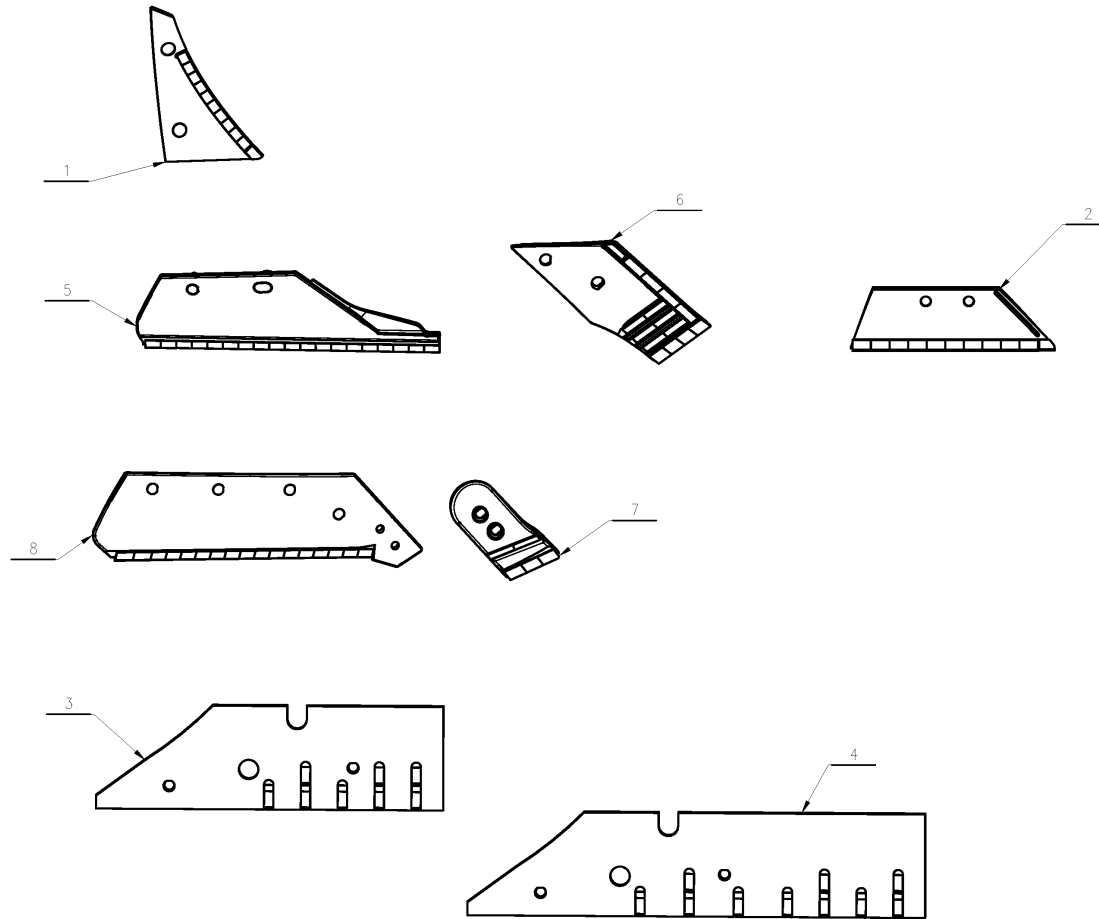


SPMKK002933

ES/LS / QUICK FIT



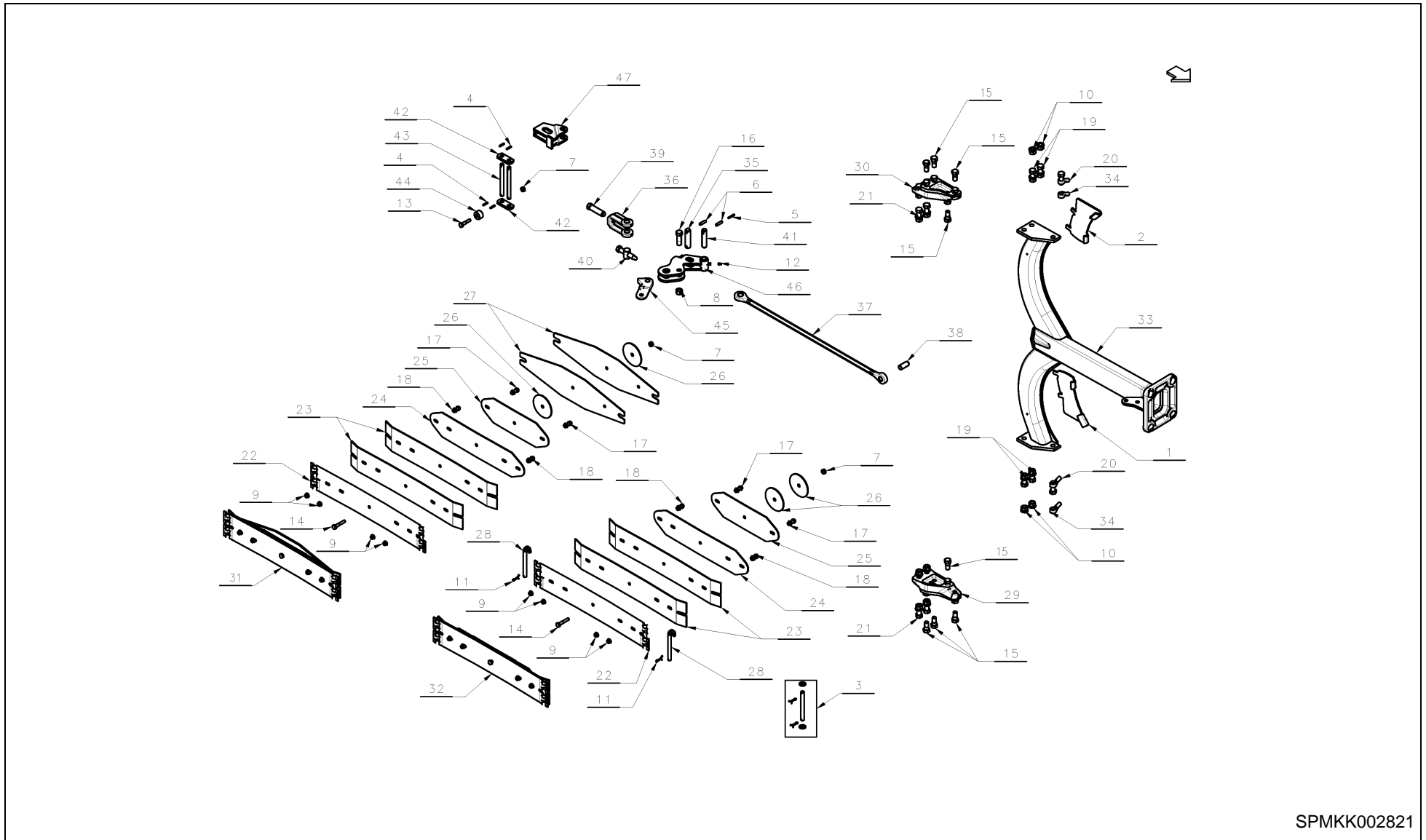
PosNo.	Part No.	Qty.	Description	Remark
1	A133147030	1	EJECTOR TOOL	
2	KK013332R	1	BOLT M14X34 W/NUT	
3	KK035149	1	CONE SCREW M14X34 OVAL HEAD W/	
4	KK083010R	1	HOLDER FOR POINT RH	
4	KK083011R	1	HOLDER FOR POINT LH	
4	KK083012R	1	QUICK FIT HOLDER CROSS RIGHT W	
4	KK083013R	1	QUICK FIT HOLDER CROSS LEFT W/	
5	KK083016R	1	SHARE QFS 14" R	
5	KK083017R	1	SHARE QFS 14" L	
5	KK083018R	1	SHARE QFS 16" R	
5	KK083019R	1	SHARE QFS 16" L	
5	KK083020R	1	SHARE QFS 18" R	
5	KK083021R	1	SHARE QFS 18" L	
5	KK083022R	1	SHARE QFS 20" R	
5	KK083023R	1	SHARE QFS 20" L	
6	KK083090R	1	POINT QFS	



SPMKK003081

ES/LS / CARBIDE FOR BODIES

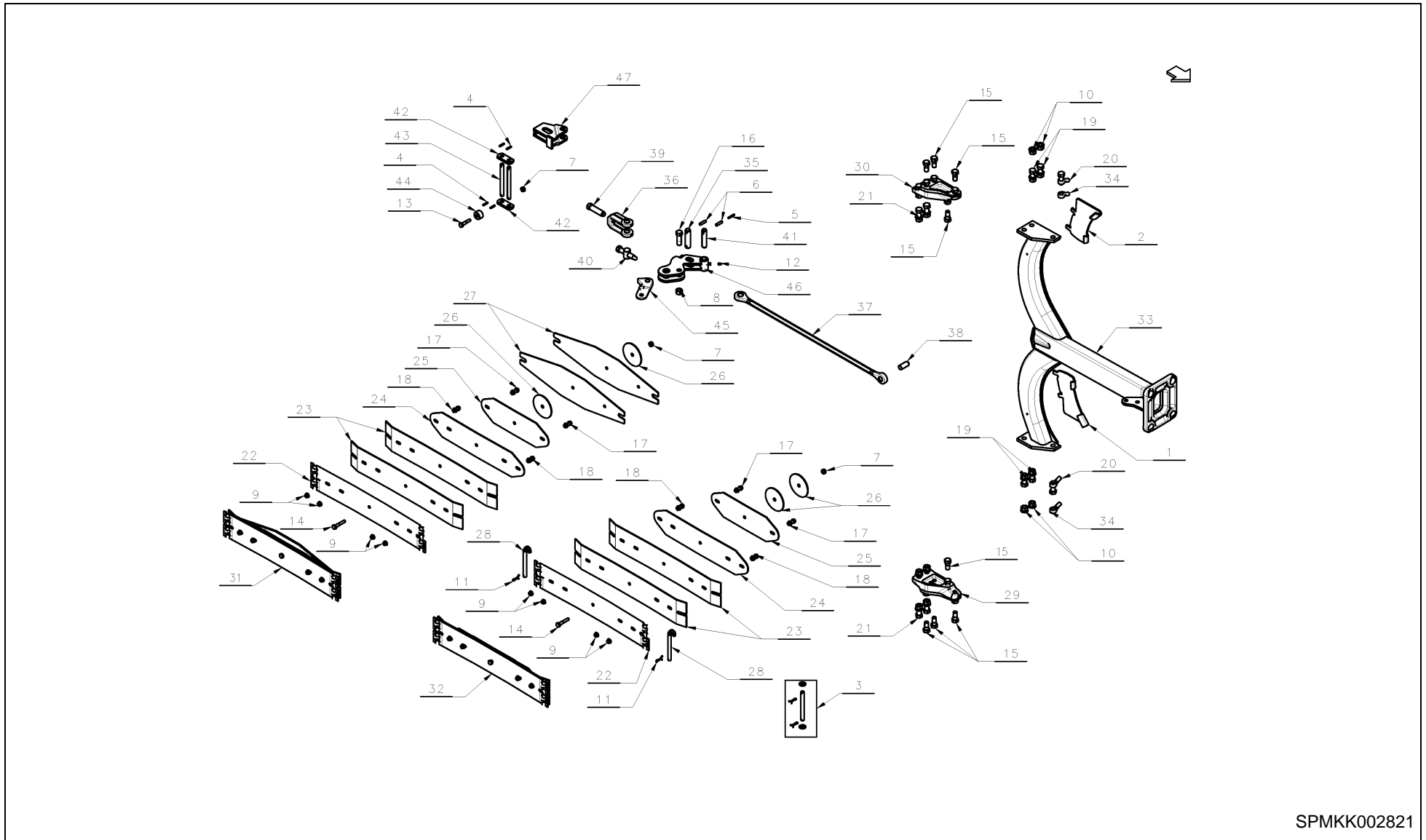
PosNo.	Part No.	Qty.	Description	Remark
1	A133939430	1	SHIN PIECE II-XHD RIGHT W/BOLTS	FOR BODY 8 AND 28
1	A133939530	1	SHIN PIECE II-XHD LEFT W/BOLTS	FOR BODY 8 AND 28
2	A133949430	1	SKIMMER SHARE II-XHD RIGHT W/BOLTS	
2	A133949530	1	SKIMMER SHARE II-XHD LEFT W/BOLTS	
3	A152001486	1	LANDSIDE II-XHD SHORT RIGHT	
3	A152001586	1	LANDSIDE II-XHD SHORT LEFT	
4	A152001686	1	LANDSIDE II-XHD LONG RIGHT	
4	A152001786	1	LANDSIDE II-XHD LONG LEFT	
5	A152031630	1	SHARE XHD PLUS 16" RIGHT W/BOLTS	FOR BODY 8, 9, 28, 38, 40
5	A152031730	1	SHARE XHD PLUS 16" LEFT W/BOLTS	FOR BODY 8, 9, 28, 38, 40
5	A152031830	1	SHARE XHD PLUS 18" RIGHT W/BOLTS	FOR BODY 8, 9, 28, 38, 40
5	A152031930	1	SHARE XHD PLUS 18" LEFT W/BOLTS	FOR BODY 8, 9, 28, 38, 40
6	A152034230	1	POINT XHD PLUS RIGHT W/BOLTS	FOR BODY 8, 9, 28, 38, 40
6	A152034330	1	POINT XHD PLUS LEFT W/BOLTS	FOR BODY 8, 9, 28, 38, 40
7	A152081030	1	POINT XHD RIGHT W/BOLTS	FOR BODY 8, 9, 28, 38, 40
7	A152081130	1	POINT XHD LEFT W/BOLTS	FOR BODY 8, 9, 28, 38, 40
8	A152081630	1	SHARE XHD 16" RIGHT W/BOLTS	FOR BODY 8, 9, 28, 38, 40
8	A152081730	1	SHARE XHD 16" LEFT W/BOLTS	FOR BODY 8, 9, 28, 38, 40
8	A152081830	1	SHARE XHD 18" RIGHT W/BOLTS	FOR BODY 8, 9, 28, 38, 40
8	A152081930	1	SHARE XHD 18" LEFT W/BOLTS	FOR BODY 8, 9, 28, 38, 40



SPMKK002821

ES/LS / BEAM - AUTO RESET

PosNo.	Part No.	Qty.	Description	Remark
1	A133761594	1	BEAM PROTECTOR R	
2	A133761694	1	BEAM PROTECTOR L	
3	A152507230	1	SPARE PART KIT SPRING BOLT HD	
4	KG01189462	1	TENSION PIN 6X30	
5	KG01189662	1	TENSION PIN 6X40	
6	KG01193962	1	TENSION PIN 10X40	
7	KK015817	1	NUT M12 GALV.	
8	KK015830	1	NUT M20	
9	KK016007	1	FLANGE NUT M10	
10	KK016012	1	FLANGE NUT M20	
11	KK029727	1	SPLIT PIN D5X32	
12	KK029920	1	GREASE NIPPLE M8X1 STRAIGHT	
13	KK032655	1	HEX BOLT M12 X 55	
14	KK032665	1	HEX BOLT M12X65 GL40	
15	KK032840	1	HEX BOLT M20X40 10.9	
16	KK032860	1	HEX BOLT M20X60 10.9	
17	KK035020R	1	BOLT M10X34	
18	KK035021R	1	BOLT M10X30.5	
19	KK035165	1	HEX BOLT M20X50 W/FLANGE NUT	
20	KK035209	1	HEX BOLT M20X50 W/THREADED PIECE	
21	KK035210	1	HEX SCREW M20 X 55 W/FLANGE NUT	
22	KK05706388	1	MAIN SPRING BLADE	
23	KK05706488	1	SPRING BLADE NO. 1	
24	KK05706588	1	SPRING BLADE NO. 2	
25	KK05706688	1	SPRING BLADE NO. 3	
26	KK05706788	1	SPRING BLADE NO. 4	
27	KK05706888	1	BLADE NO.5	
28	KK057089	1	SPRING BOLT	
29	KK060108	1	DISTANCE BRACKET CPL. RIGHT	
30	KK060109	1	DISTANCE BRACKET CPL. LEFT	
31	KK060703	1	SPRING HD CPL. WITHOUT REGULATOR	
32	KK060709	1	LEAF CPL.	
33	KK061280R	1	AUTO RESET LEG	
34	KK061291	1	THREADED PIECE	
35	KK067016R	1	BOLT Ø25 FOR CLEVIS	
36	KK067025R	1	CLEVIS FOR TIE ROD D25	
37	KK067026R	1	TIE ROD D22 WITH D22 & D25 HOLES	
38	KK067031R	1	MAINBOLT	
39	KK067039R	1	SCREW	
40	KK067051	1	ADJUST SCREW W/THREADED PIECE	

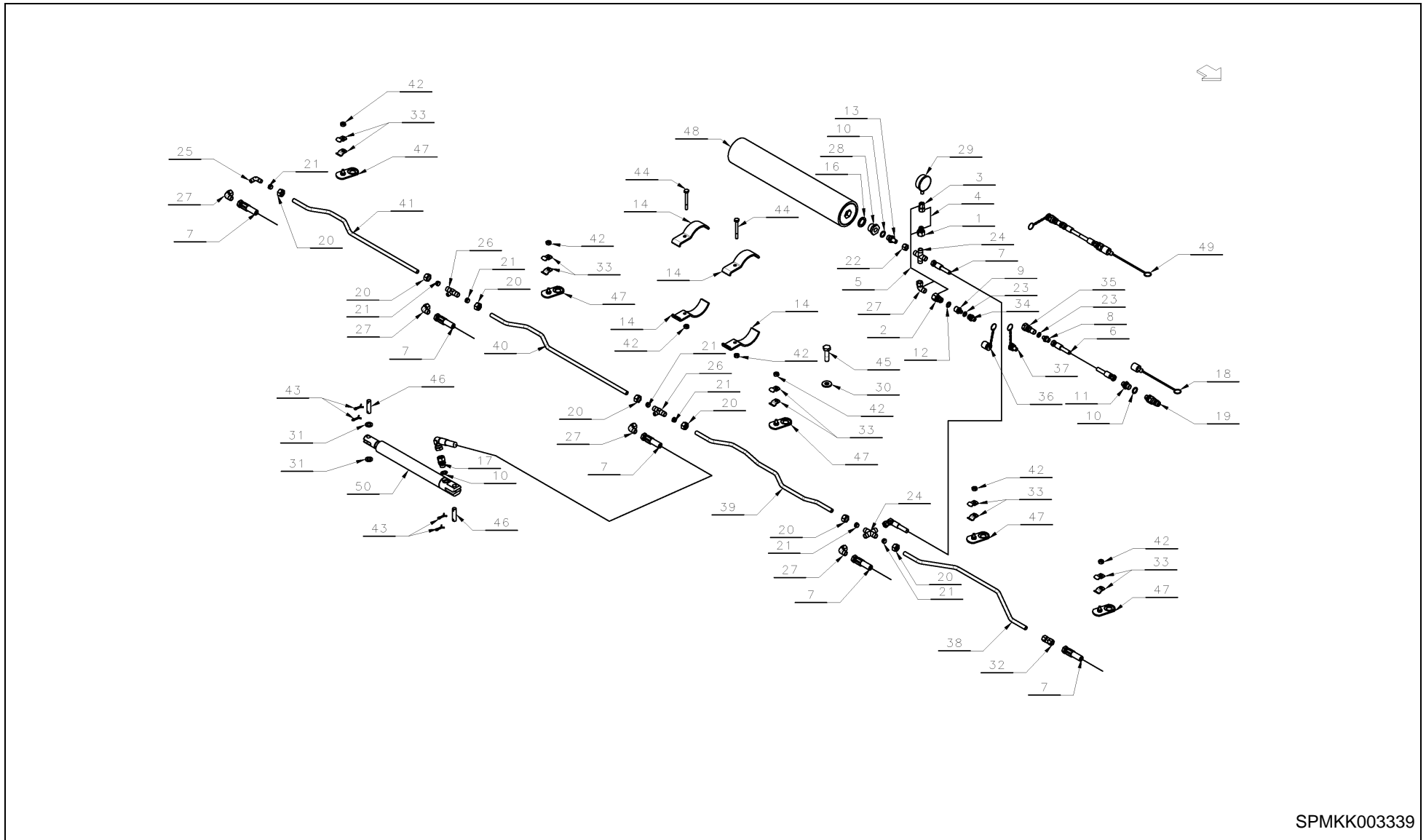


SPMKK002821

ES/LS / BEAM - AUTO RESET



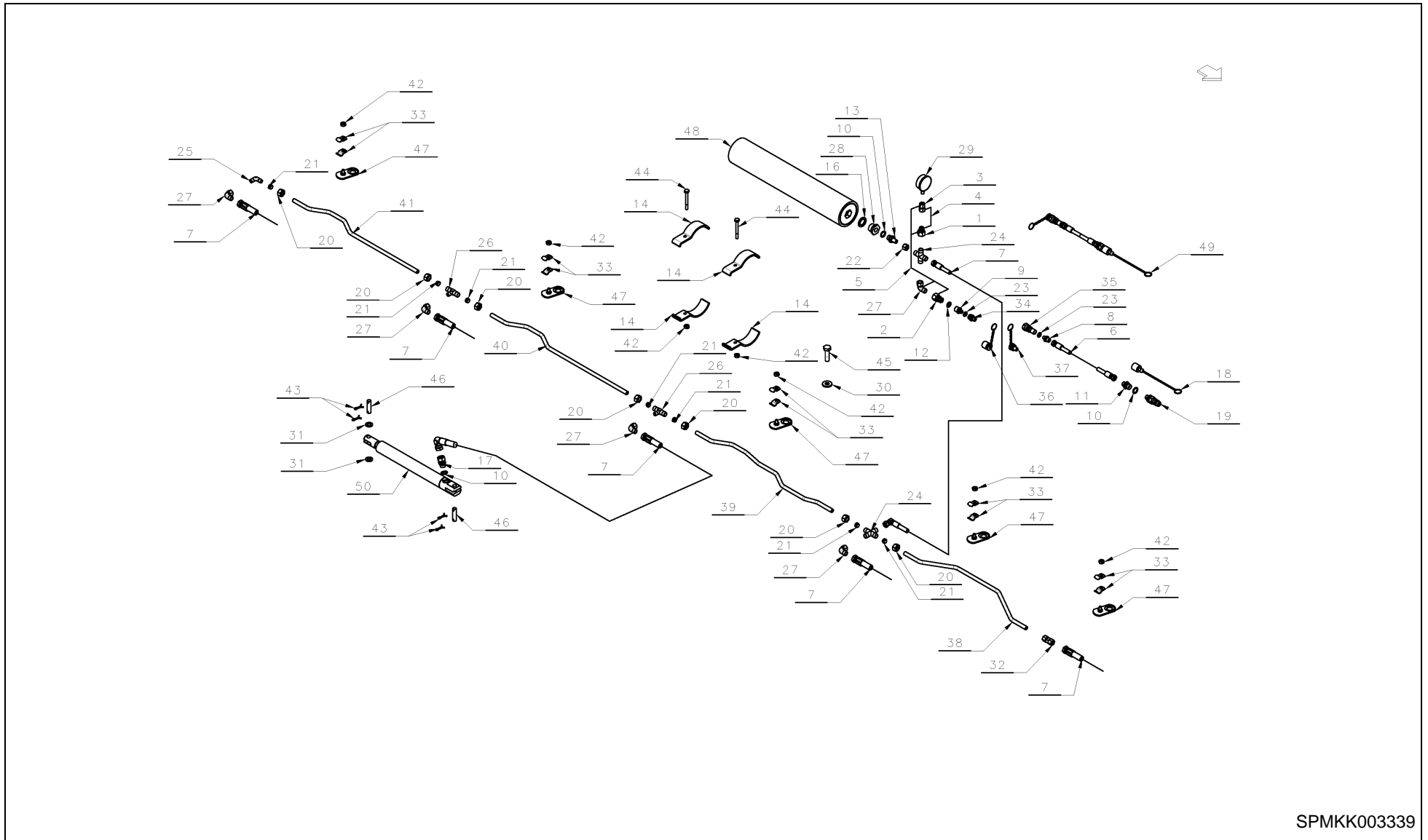
PosNo.	Part No.	Qty.	Description	Remark
41	KK067059R	1	AXLE	
42	KK067075	1	SHACKLE	
43	KK067076	1	BOLT D15.7-D6.0X168-D6.0	
44	KK067077	1	DISTANCE TUBE ADDITIONAL SPRING PACK	
45	KK067080R	1	SPRING RETAINER REAR	
46	KK067090R	1	REGULATOR ARM WELDED FOR D25 BOLT	
47	KK067092R	1	LOCK PIECE FOR D25 BOLT	



SPMKK003339

ES/LS / HYDRAULIC AUTO RESET

PosNo.	Part No.	Qty.	Description	Remark
1	A152178063	1	TUBE D15 W SWIVEL - D12L	
2	A152178163	1	COUPLING G3/8 # D15 TUBE W SWIVEL	
3	A152178263	1	MANOMETER COUPLING G1/4 # D12 W SWIVEL	
4	A152374030	1	SPARE PART KIT FOR COUPLINGS	
5	A152374130	1	SPARE PART KIT FOR COUPLINGS	
6	A152383730	1	HOSE 1/4X7500 R-SV/R-SV 2 LAYERS	
7	A152383930	1	HOSE 1/2X600 RS-15/90-15 2 LAYERS	
8	KK010867	1	THREADED COUPLING G1/4 UTV/G3/8 UTV	
9	KK011564	1	THREADED COUPLIN	
10	KK011565	1	SEAL RING R 1/2 (INNER D21)	
11	KK011567	1	COUPLING 3/8-1/2 WITH M8 INNER	
12	KK011585	1	SEAL RING R 3/8(INNER D17)	
13	KK011587	1	COUPLING R1/2OUTS.-D15 PIPE CONN.	
14	KK012050	1	ACCU CLAMP PARALLEL ROD	
15	KK012059	1	BANJO BOLT G3/8X31	
16	KK012065	1	GASKET RING R1 (INNER D33)	
17	KK012128	1	COUPLING R1/2-D15 PIPE COUPLING	
18	KK012157	1	PLASTIC COVER 1/2 QUICK COUP. RED	
19	KK012158	1	QUICK COUPLING 1/2-3/8 W-COUP.	
20	KK012173	1	NUT FOR 15MM TUBE M22X1.5	
21	KK012174	1	CUTTING RING FOR 15MM TUBE	
22	KK012264	1	NUT FOR D12 TUBE M18X1.5	
23	KK012269	1	SEAL RING R1/4(INNER D13)	
24	KK012284	1	X-COUPLING K-15-L GALV.	
25	KK012285	1	90 DEG ELBOW JOINT W-15-L	
26	KK012286	1	T-COUPLING T-15-L FORS.	
27	KK012293	1	90 DEG ANGLE EVW-15-L	
28	KK012310	1	COUPLING R1OUT-R1/2INN	
29	KK012750	1	MANOMETER 250 BAR D63/R 1/4	
30	KK012922	1	WASHER D17-D40X4.58	
31	KK012927	1	WASHER D17.0XD30X3	
32	KK013588	1	STRAIGHT PIPE CONNECTION G-15-L	
33	KK013630	1	STEEL CLAMP ON 1X15 TUBE	
34	KK013636	1	SCREW-ON QUICK PLUG 1/4"	
35	KK013637	1	SCREW-ON QUICK COUPLING 1/4"	
36	KK013638	1	DUST CAP 1/4"	
37	KK013639	1	DUST PLUG 1/4"	
38	KK013692	1	OIL TUBE BENDED FORWARD L=750 ES85	
39	KK013693	1	OIL TUBE BENDED DOUBLE L=810 ES85	
40	KK013694	1	OIL TUBE BENDED MIDDLE L=810 ES85	



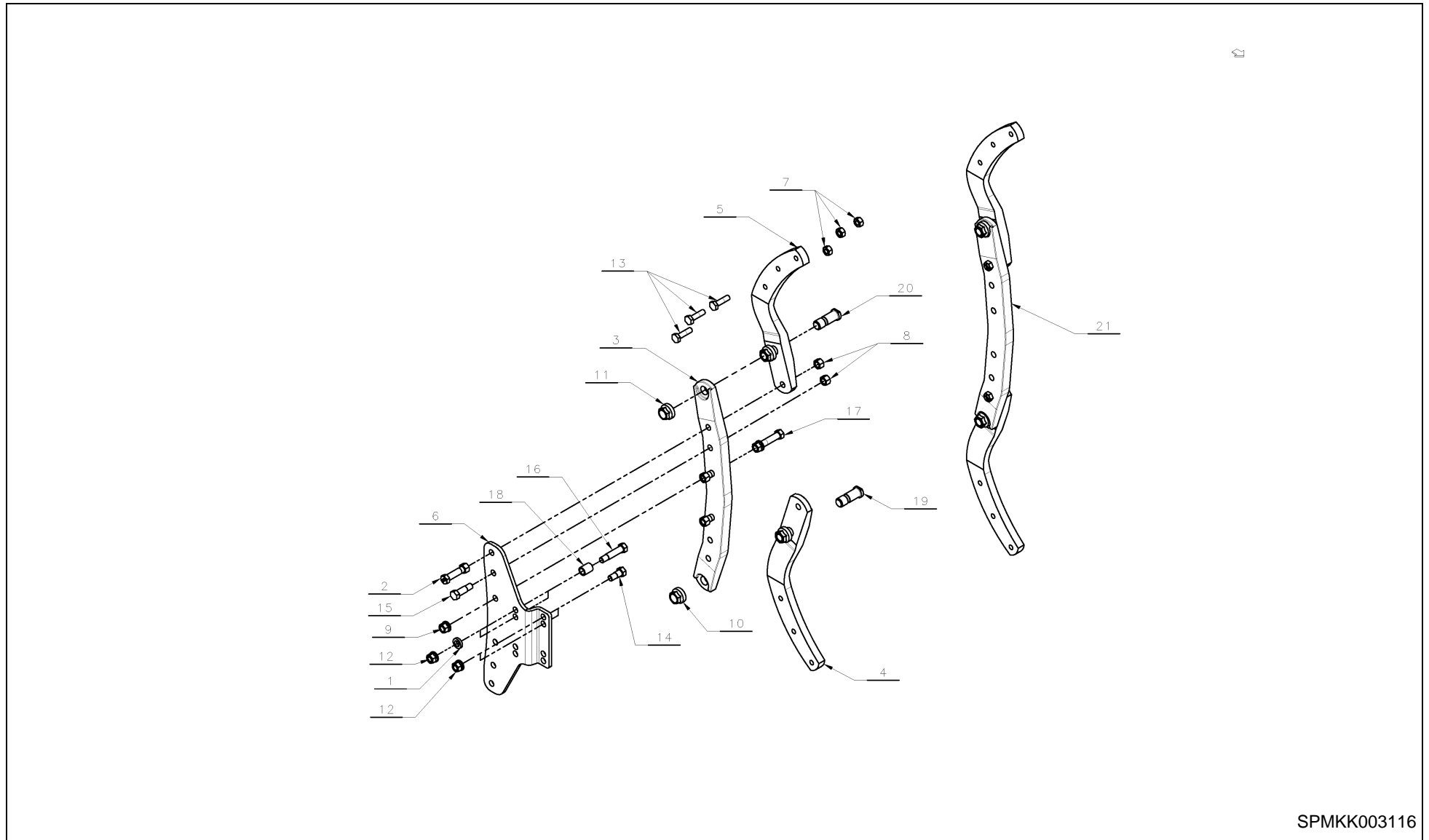
SPMKK003339

ES/LS / HYDRAULIC AUTO RESET



PosNo.	Part No.	Qty.	Description	Remark
41	KK013695	1	OIL TUBE BENDED REAR L=740 ES85	
42	KK015813	1	NUT M10 GALV.	
43	KK029727	1	SPLIT PIN D5X32	
44	KK032590	1	BOLT M10X90	
45	KK032760	1	HEX BOLT M16X60 10.9 W/WAX	
46	KK067083	1	BOLT D15.7-D5.5X48-D5.5	
47	KK067088	1	OIL TUBE BRACKET D24 - CC46	
48	KK352405	1	ACCUMULATOR D117X657 4L 90BAR	
49	KK352417	1	HOSE 7500 W/QUICK COUPLING	
50	KK353907	1	CYLINDER D40-D32X510+215	

ES/LS / BEAM (SHEAR BOLT)

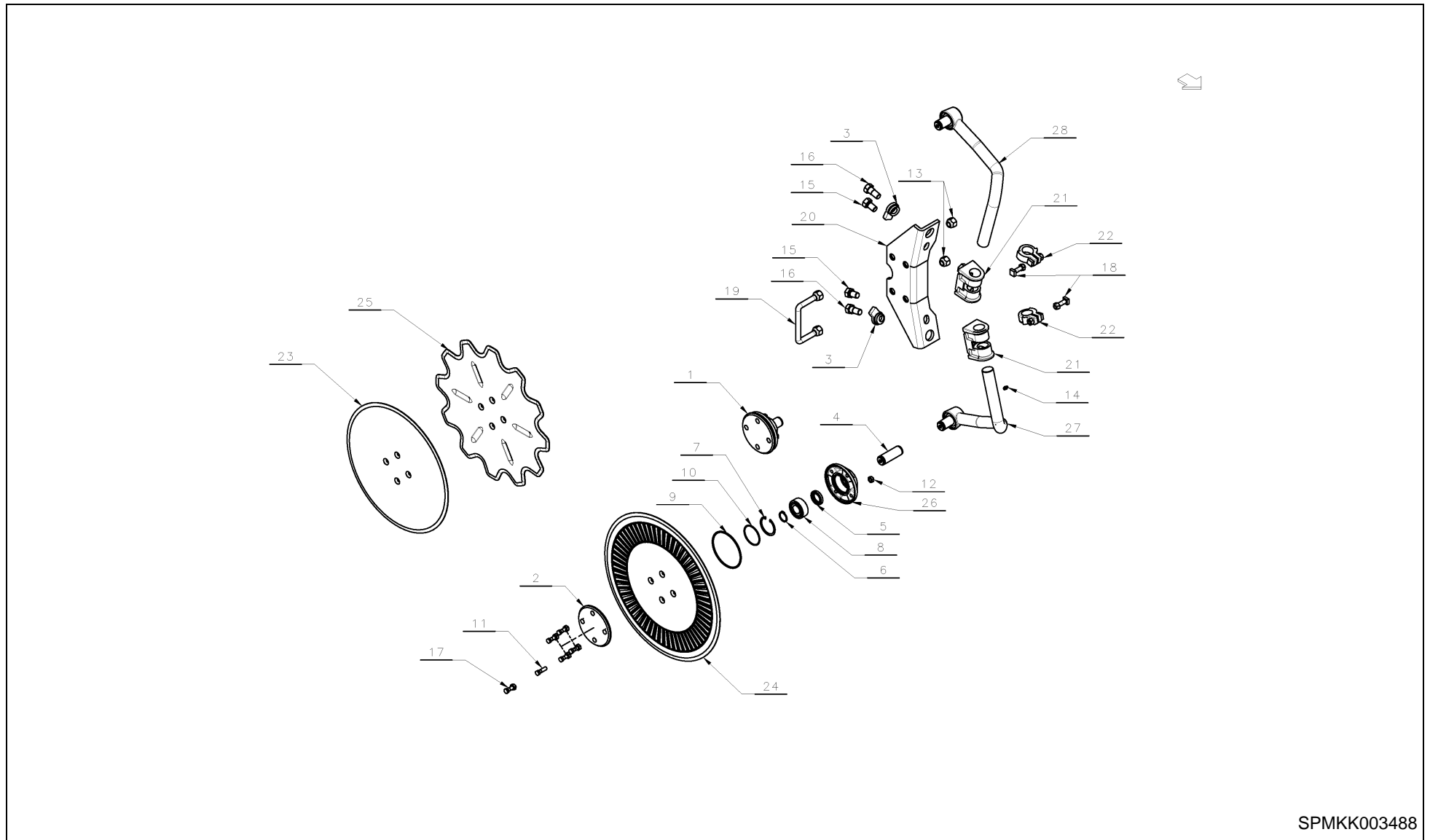


SPMKK003116

ES/LS / BEAM (SHEAR BOLT)

PosNo.	Part No.	Qty.	Description	Remark
1	KK013009	1	WASHER 21,-X 35,-X7,5	
2	KK035072R	1	SHEAR BOLT M20X88 W/NUT	
3	KK071207R	1	SUPPORT H. 800MM	
4	KK071208R	1	BEAM R.H. W/BOLTS AND NUTS	
5	KK071209R	1	BEAM L.H. W/BOLTS AND NUTS	
6	KK089419R	1	EXSTENDED PLATE SHARE BOLT 800	
7	KK015825	1	M16 NUT	
8	KK015830	1	NUT M20	
9	KK016012	1	FLANGE NUT M20	
10	KK016022	1	FLANGE NUT M30 10 KEY36	
11	KK016045	1	FLANGE NUT M30 LEFT KEY 36	
12	KK016049	1	FLANGE NUT M20 WITH LOCK	
13	KK032762	1	HEX BOLT M16X60 12.9	
14	KK032845	1	HEX BOLT M20X45 10.9	
14	KK032855	1	HEX BOLT M20X55 10.9	FOR DISC COULTER, FOR FRONT PIECE AND REAR
14	KK032860	1	HEX BOLT M20X60 10.9	FOR FRONT PIECE W/DISC COULTER
15	KK032865	1	HEX BOLT M20X65 10.9	
16	KK032890	1	HEX BOLT M20X90 10.9	
17	KK035215	1	HEX BOLT M20X80 W/NUT	
18	KK061515	1	BUSHING D20.5-D28X35.2	
19	KK071274	1	BOLT M30 R.HAND THREAD L=84	
20	KK071275	1	BOLT M30 L.HAND THREAD L= 84	
21	KK071281	1	SHEAR BOLT BEAM CPL. H=800	

ES/LS / DISC COULTER - AUTO RESET BEAM

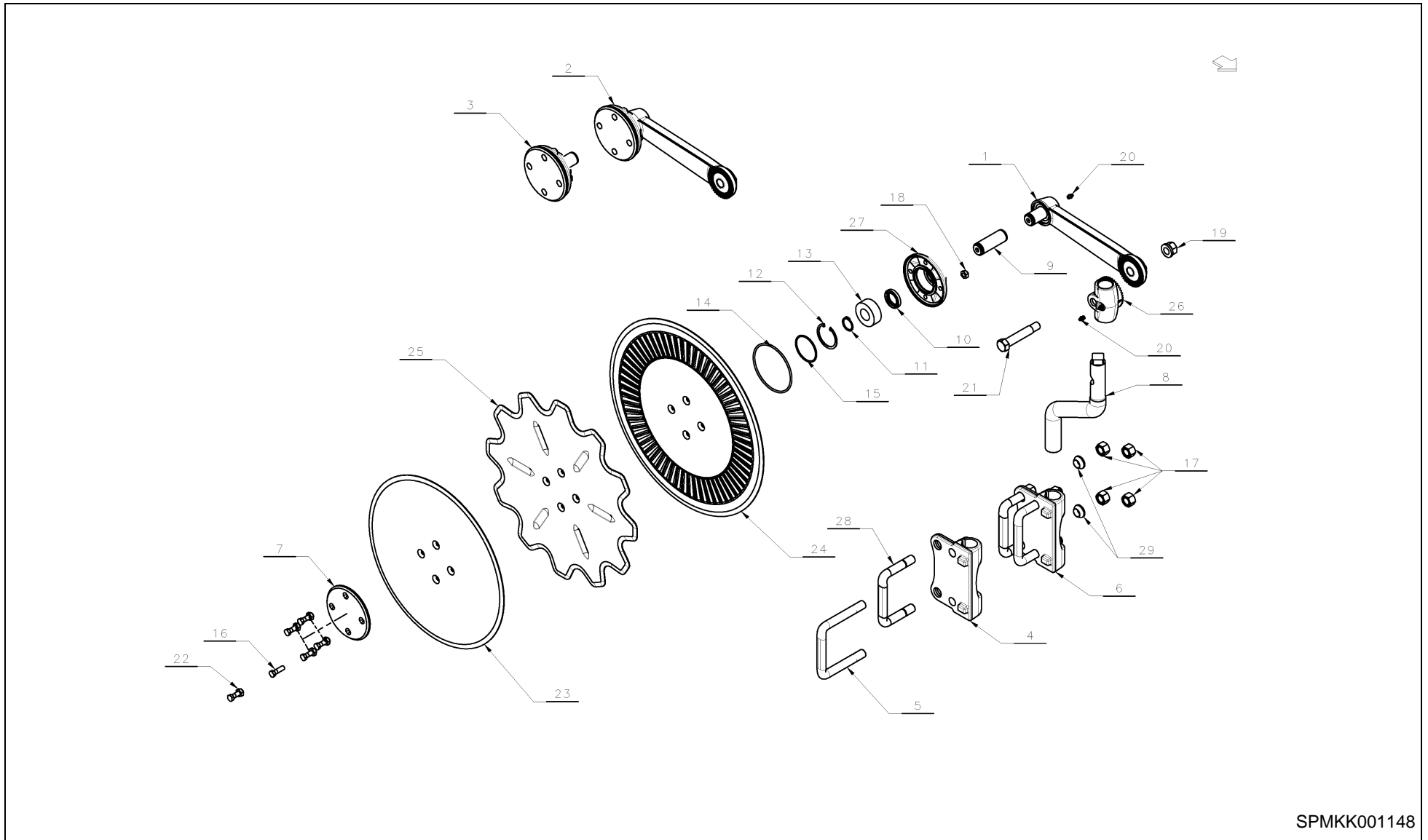


SPMKK003488

ES/LS / DISC COULTER - AUTO RESET BEAM

PosNo.	Part No.	Qty.	Description	Remark
1	A133120730	1	REP. SET FOR BRG HOUSE	
2	A133993832	1	REINFORCEMENT PLATE W/SCREW&NUT	
3	A152401462	1	ECCENTRIC FOR DISC COULTER BRACKET	
4	A152734801	1	AXLE W/ GREASE NIPPLE M8X1	
5	KG00017500	1	RADIAL SHAFT SEAL - A 30X47X7	
6	KG01108862	1	CIRCLIP-A 30 X 1.5	
7	KG01129800	1	CIRCLIP-B 62 X 2	
8	KK010572	1	TWO ROW ANGLE CONTACT BALL-BEARING 3206B	
9	KK011750	1	O-RING D124.5X3 70 SHORE	
10	KK011866	1	O-RING D67X3 70 SHORE	
11	KK013315	1	CONICAL SCREW M10X40 GALV.	
12	KK016004	1	LOCK NUT M10 METAL LOCKING	
13	KK016031	1	CONE NUT M16	
14	KK029920	1	GREASE NIPPLE M8X1 STRAIGHT	
15	KK032830	1	HEX BOLT M20X30 10.9	
16	KK032840	1	HEX BOLT M20X40 10.9	
17	KK035028	1	CONICAL SCREW M10X40 W/LOCKNUT	
18	KK035031R	1	BOLT M12X40	
19	KK066175R	1	U-BOLT	
20	KK066182	1	DISC COULTER BRACKET 20	
21	KK066185	1	DISC COULTER BRACKET W/SCREW	
22	KK066190R	1	STOP JOURNAL	
23	KK076406R	1	DISC 18"	
24	KK076407R	1	DISC COULTER 20	
25	KK076410R	1	DISC COULTER 20 NOTCHED	
26	KK086100	1	BRG HOUSING DISC COULTER	
27	KK086170	1	ARM WITH AXLE 18" R	
27	KK086172	1	ARM WITH AXLE 20" R	
27	KK086174	1	ARM WITH AXLE 20" LOWERED	
28	KK086171	1	ARM WITH AXLE 18" L	
28	KK086173	1	ARM WITH AXLE 20" L	
28	KK086175	1	ARM WITH AXLE 20" L LOWERED	

ES/LS / DISC COULTER PARALLEL ADJUSTMENT

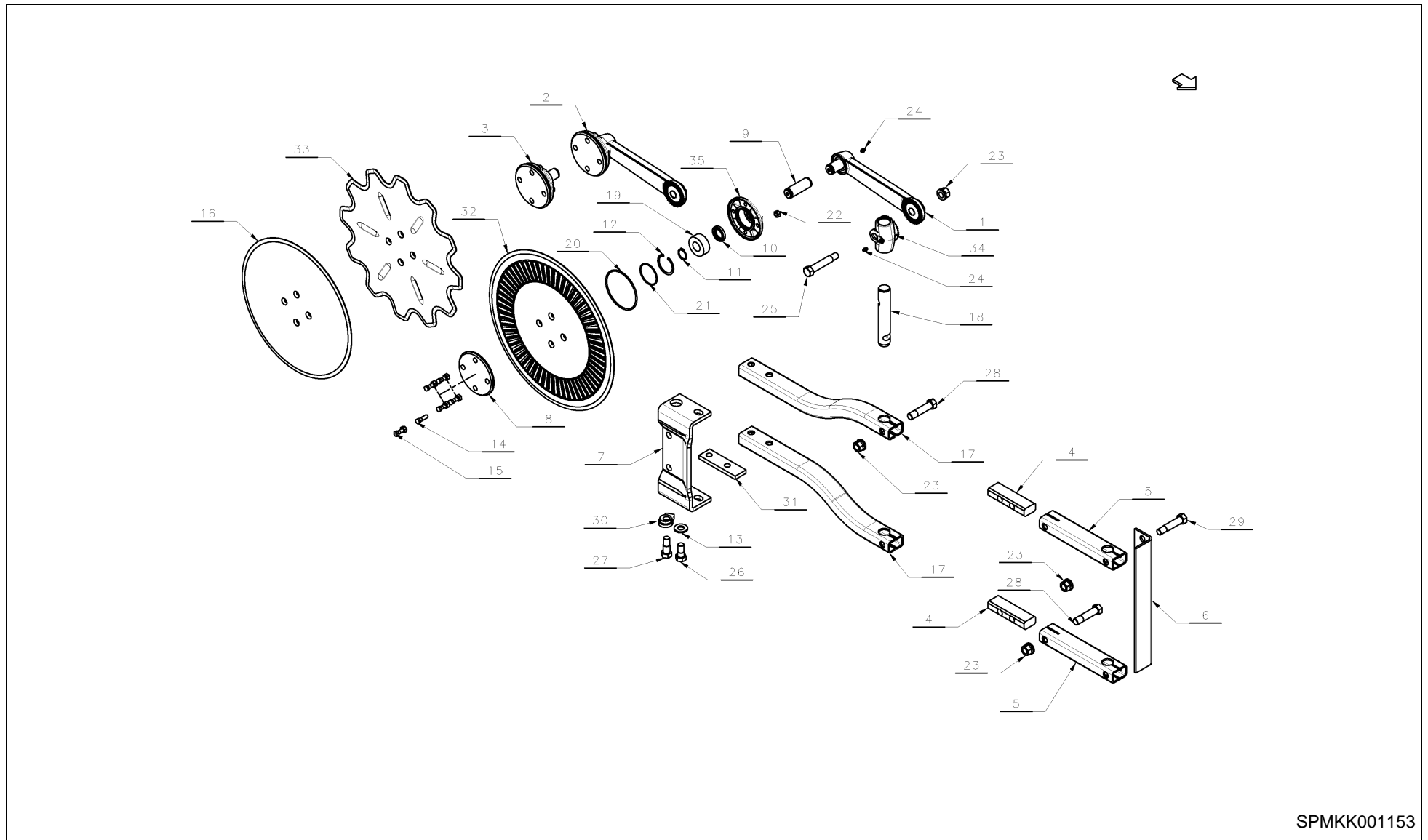


SPMKK001148

ES/LS / DISC COULTER PARALLEL ADJUSTMENT

PosNo.	Part No.	Qty.	Description	Remark
1	A133103288	1	ARM WITH AXLE 18-20	
2	A133112588	1	ARM WITH BRG AND AXLE 18-20 IN	
3	A133120730	1	REP. SET FOR BRG HOUSE	
4	A133227488	1	FIXATION BLOCK FOR DISC COULTER	
5	A133228161	1	U-BOLT M20-SQ122-132,5	
6	A133991932	1	DISC HOLDER SPARE PARTS SET	
7	A133993832	1	REINFORCEMENT PLATE W/SCREW&NUT	
8	A152100788	1	ARM FOR DISC COULTER	
9	A152734801	1	AXLE W/ GREASE NIPPLE M8X1	
10	KG00017500	1	RADIAL SHAFT SEAL - A 30X47X7	
11	KG01108862	1	CIRCLIP-A 30 X 1.5	
12	KG01129862	1	CIRCLIP-B 62 X 2	
13	KK010572	1	TWO ROW ANGLE CONTACT BALL-BEARING 3206B	
14	KK011750	1	O-RING D124.5X3 70 SHORE	
15	KK011866	1	O-RING D67X3 70 SHORE	
16	KK013315	1	CONICAL SCREW M10X40 GALV.	
17	KK015830	1	NUT M20	
18	KK016004	1	LOCK NUT M10 METAL LOCKING	
19	KK016012	1	FLANGE NUT M20	
20	KK029920	1	GREASE NIPPLE M8X1 STRAIGHT	
21	KK032803	1	HEX BOLT M20X110	
22	KK035028	1	CONICAL SCREW M10X40 W/LOCKNUT	
23	KK076406R	1	DISC 18"	
24	KK076407R	1	DISC COULTER 20	
25	KK076410R	1	DISC COULTER 20 NOTCHED	
26	KK076437R	1	SWING CASING DISC COULTER Ø20	
27	KK086100	1	BRG HOUSING DISC COULTER	
28	KK086876	1	U-BOLT M20-SQ121-98	
29	KK301223	1	CONE D20.5-D32X12	

ES/LS / DISC COULTER - SHEAR BOLT BEAM



SPMKK001153

ES/LS / DISC COULTER - SHEAR BOLT BEAM

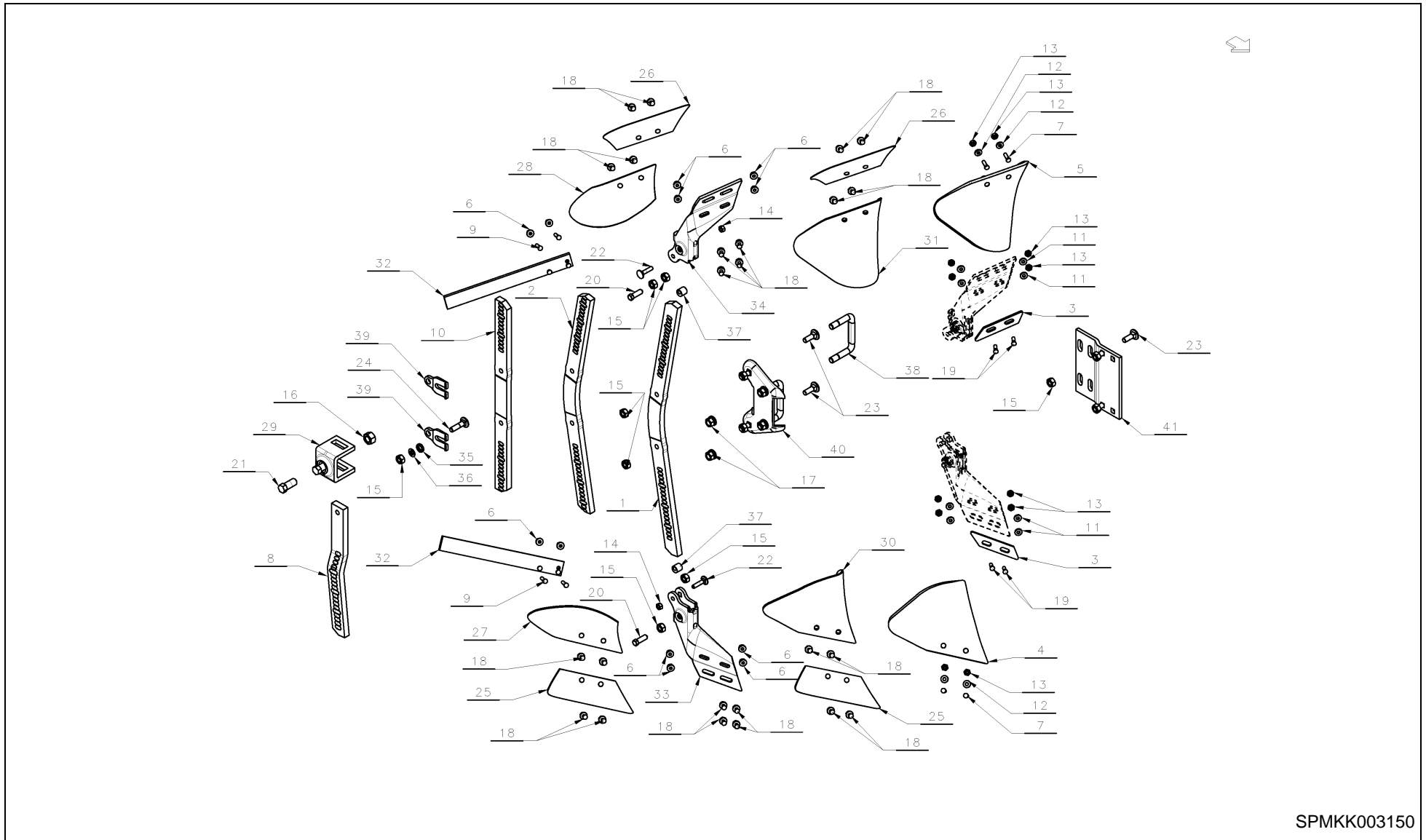
PosNo.	Part No.	Qty.	Description	Remark
1	A133103288	1	ARM WITH AXLE 18-20	
1	KK086468	1	DISC COULTER WITH AXLE 22	
2	A133112588	1	ARM WITH BRG AND AXLE 18-20 IN	
2	KK086466	1	DISC COULTER ARM 22 WITH BRG	
3	A133120730	1	REP. SET FOR BRG HOUSE	
4	A133138503	1	CONNECTING PIECE	
5	A133138988	1	EXTENTION FOR DISC COULTER	
6	A133142288	1	CONNECTING PIECE	
7	A133329388	1	BRACKET FOR DISC COULTER	
8	A133993832	1	REINFORCEMENT PLATE W/SCREW&NUT	
9	A152734801	1	AXLE W/ GREASE NIPPLE M8X1	
10	KG00017500	1	RADIAL SHAFT SEAL - A 30X47X7	
11	KG01108862	1	CIRCLIP-A 30 X 1.5	
12	KG01129862	1	CIRCLIP-B 62 X 2	
13	KK012960	1	WASHER D20,5-D40X4	
14	KK013315	1	CONICAL SCREW M10X40 GALV.	
15	KK035028	1	CONICAL SCREW M10X40 W/LOCKNUT	
16	KK076406R	1	DISC 18"	
17	KK086412R	1	BRACKET TUBE FOR DISC COULTER	
17	A133386688	1	ARM DISC COULTER	
18	KK086415R	1	AXLE DISC COULTER FOR D20 BOLT	
19	KK010572	1	TWO ROW ANGLE CONTACT BALL-BEARING 3206B	
20	KK011750	1	O-RING D124.5X3 70 SHORE	
21	KK011866	1	O-RING D67X3 70 SHORE	
22	KK016004	1	LOCK NUT M10 METAL LOCKING	
23	KK016012	1	FLANGE NUT M20	
24	KK029920	1	GREASE NIPPLE M8X1 STRAIGHT	
25	KK032803	1	HEX BOLT M20X110	
26	KK032840	1	HEX BOLT M20X40 10.9	
27	KK032850	1	HEX BOLT M20X50 10.9	
28	KK032885	1	HEX BOLT M20X85 10.9	
29	KK032890	1	HEX BOLT M20X90 10.9	
30	KK066178	1	ECCENTRIC FOR DISC COULTER BRACKET	
31	KK074936	1	THREADED PIECE FOR DISC.COULT. ARM	
32	KK076407R	1	DISC COULTER 20	
32	KK076294R	1	DISC 22"	
33	KK076409R	1	DISC 18" NOTCHED	
33	KK076410R	1	DISC COULTER 20 NOTCHED	
33	KK076295R	1	DISC COULTER 22" NOTCHED	
34	KK076437R	1	SWING CASING DISC COULTER Ø20	

ES/LS / DISC COULTER - SHEAR BOLT BEAM



PosNo.	Part No.	Qty.	Description	Remark
35	KK086100	1	BRG HOUSING DISC COULTER	

ES/LS / SKIMMER REVERSIBLE & CONVENTIONAL PLOUGHS



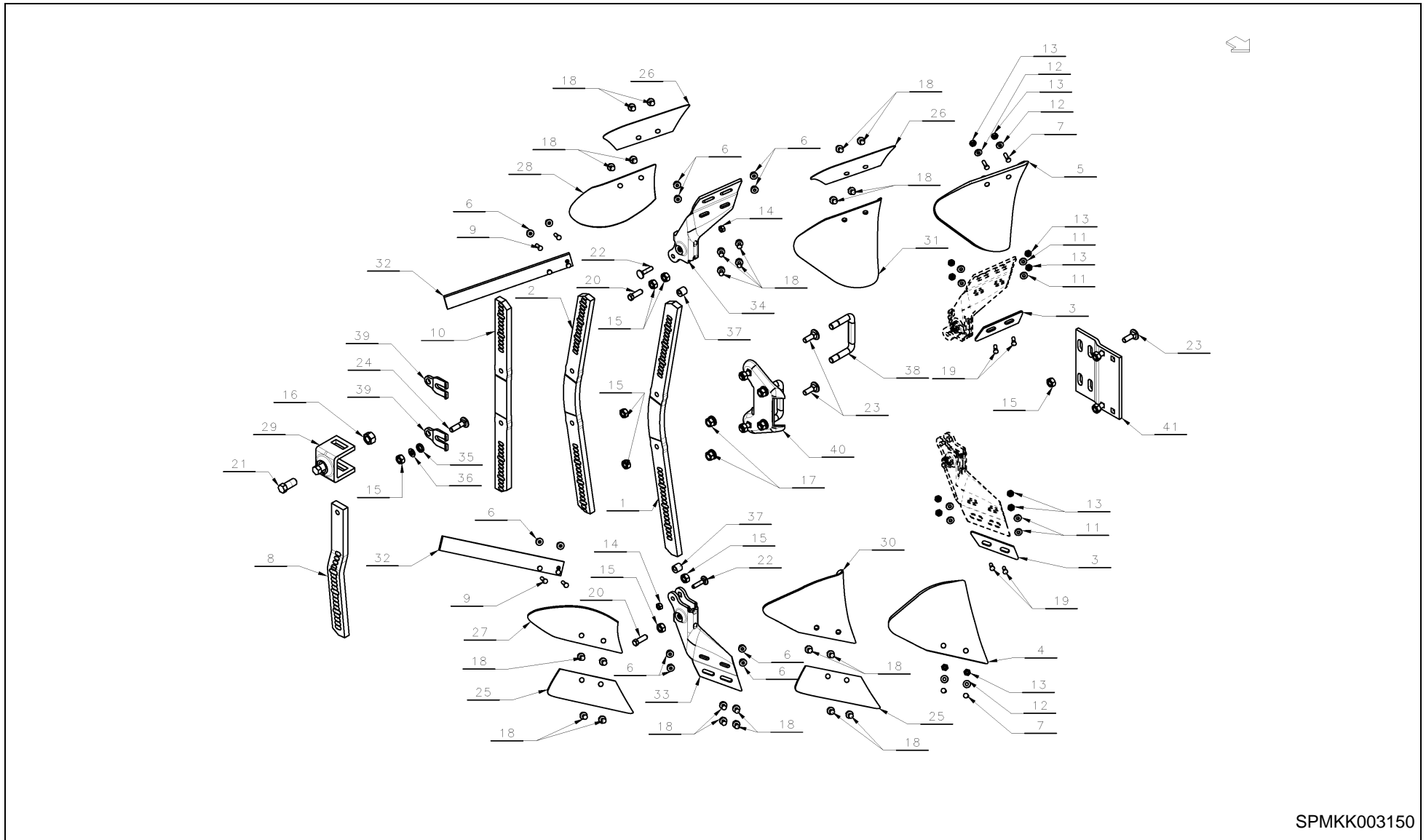
SPMKK003150

ES/LS / SKIMMER REVERSIBLE & CONVENTIONAL PLOUGHS



PosNo.	Part No.	Qty.	Description	Remark
1	A133332788	1	ARM 1050 MM	
2	A133332888	1	ARM 900 MM	
3	A133501478	1	SPACER SKIMMER SHARE R/L	FOR PLASTIC MOULDBOARD MAIZE
4	A133503130	1	PLASTIC MOULDBOARD MAIZE W/SCREWS R	
5	A133503230	1	PLASTIC MOULDBOARD MAIZE W/SCREWS L	
6	A133517300	1	FLANGE NUT M10	
7	A133546962	1	OVAL SCREW M10X37	
8	A133588688	1	ARM NON REVERSABLE	
9	A152028262	1	OVAL SCREW M10X45	
10	A152188388	1	ARM STRAIGHT 800 MM	
11	KK012906	1	WASHER D11-D25X3.5	
12	KK012914	1	WASHER D11-D25X4	
13	KK015813	1	NUT M10 GALV.	
14	KK015817	1	NUT M12 GALV.	
15	KK015825	1	M16 NUT	
16	KK015841	1	NUT M24 GALV.	
17	KK016012	1	FLANGE NUT M20	
18	KK033006R	1	BOLT M10X30	
19	KK033007	1	OVAL SCREW M10X35 GALV.	
20	KK034251	1	SET SCREW M16X50 CONE	
21	KK034446	1	SET SCREW M24X53 GALV.	
22	KK034755	1	CARRIAGE BOLT M12X55 10.9	
23	KK034851	1	CARRIAGE BOLT M16X50 10.9	
24	KK034866	1	CARRIAGE BOLT M16X65 10.9 LOWHEAD	
25	KK066868R	1	SHARE R.	
26	KK066869R	1	SHARE L.	
27	KK066880R	1	SKIMMER MOULDBOARD R	
28	KK066881R	1	SKIMMER MOULDBOARD L	
29	KK070653	1	BRACKET W/SETSCREW	
30	KK076812R	1	SKIMMER MOULDBOARD, MAIZE R	
31	KK076813R	1	SKIMMER MOULDBOARD, MAIZE L	
32	KK086801R	1	EXTENSION PIECE SKIMMER	
33	KK086850R	1	SADDLE RIGHT	
34	KK086851R	1	SADDLE LEFT	
35	KK086866	1	CONICAL SEAT D19 TYPE D DIN6319	
36	KK086867	1	SPHERICAL WASHER D17 TYPE C DIN 6319	
37	KK086868R	1	BUSHING Ø25,4X13X24 MM	
38	KK086876	1	U-BOLT M20-SQ121-98	
39	KK086877	1	ANGEL SPACER	
40	KK086881	1	BRACKET FOR SKIMMER CPL	

ES/LS / SKIMMER REVERSIBLE & CONVENTIONAL PLOUGHS

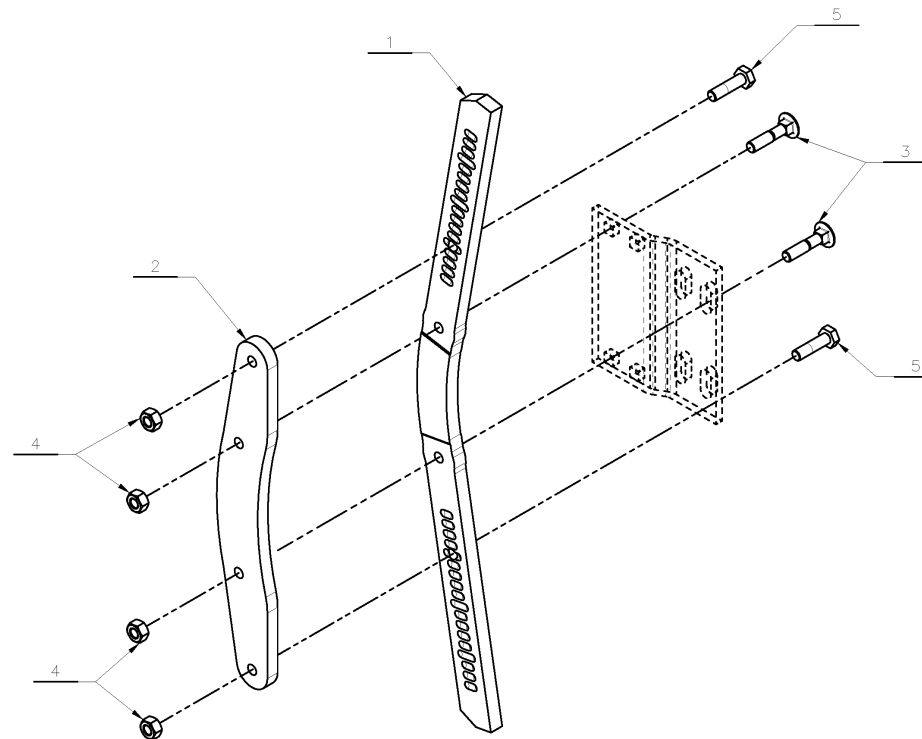


SPMKK003150

ES/LS / SKIMMER REVERSIBLE & CONVENTIONAL PLOUGHS



PosNo.	Part No.	Qty.	Description	Remark
41	KK086910	1	FIX LDLS BEAM CPL	

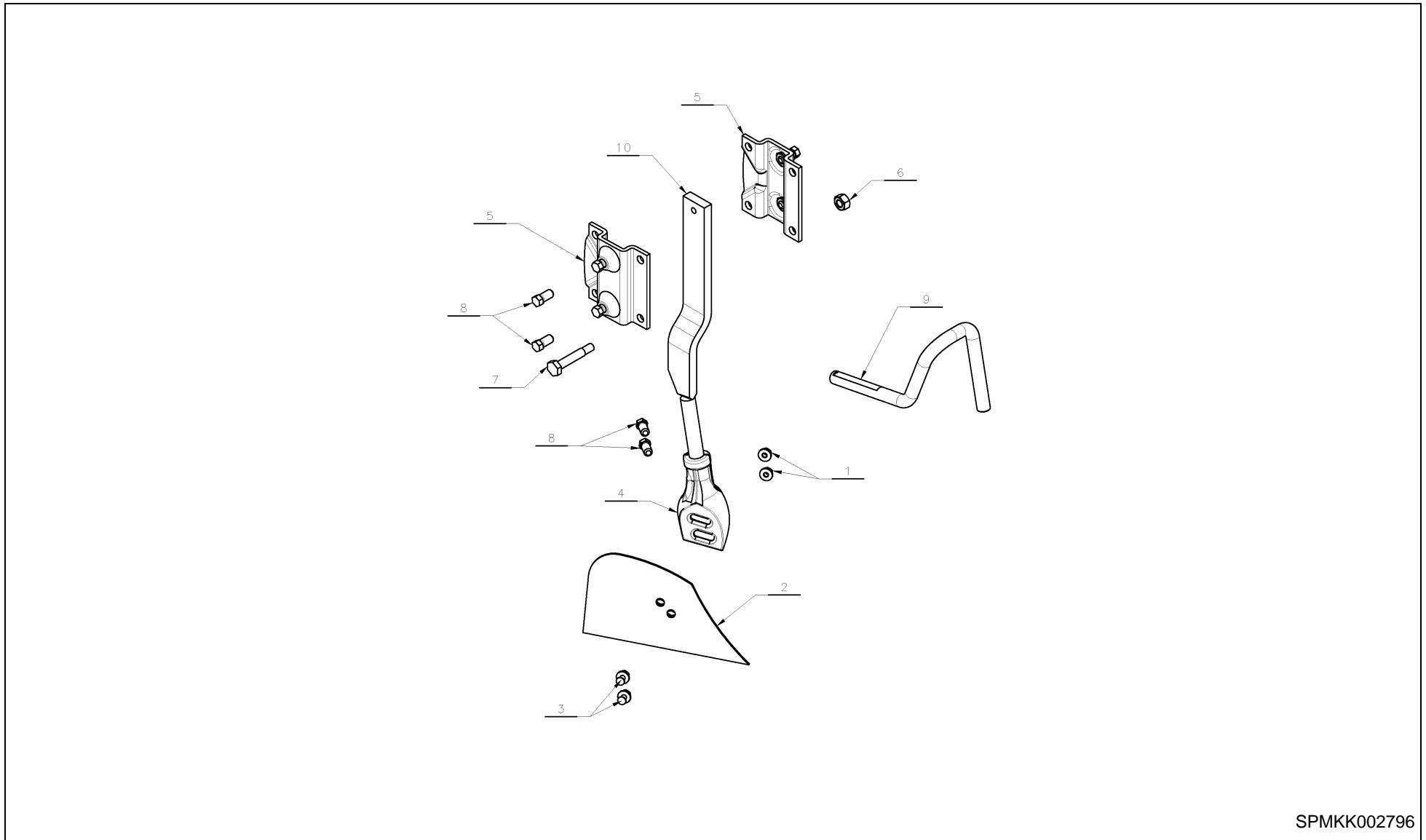


SPMKK002882

ES/LS / SKIMMER ARM REINFORCED



PosNo.	Part No.	Qty.	Description	Remark
1	A133755188	1	ARM 1050 HD	
2	A133816988	1	SUPPORT PLATE SKIMMER	
3	A152738462	1	M16 X 75 ROUND HEAD BOLT 10.9	
4	KK015825	1	M16 NUT	
5	KK032760	1	HEX BOLT M16X60 10.9 W/WAX	

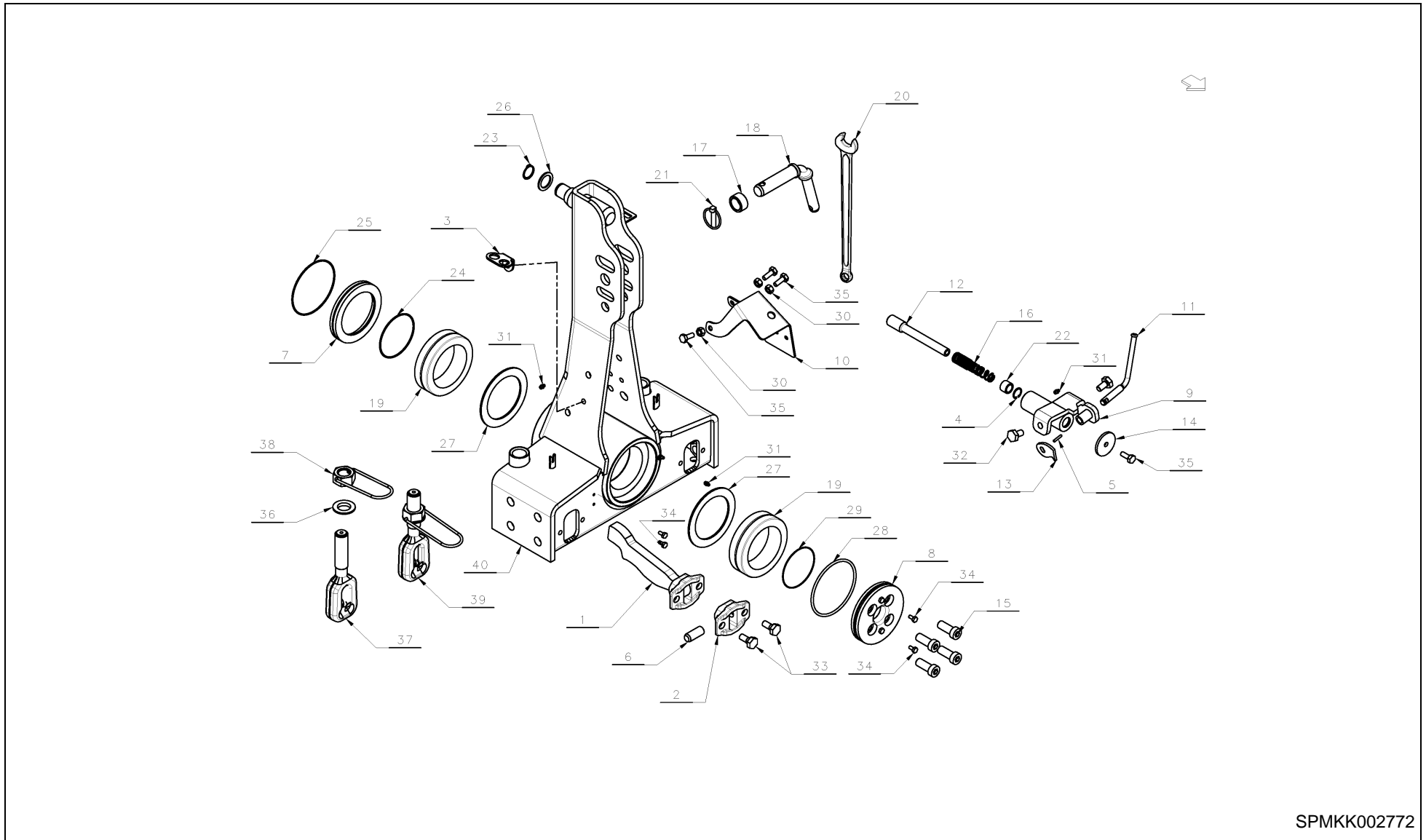


SPMKK002796

ES/LS / SKIMMER BODY 25



PosNo.	Part No.	Qty.	Description	Remark
1	A133517300	1	FLANGE NUT M10	
2	KK066810R	1	SKIMMER BLADE	
2	KK066831R	1	SKUMSJÆR V. M/SKRUER	
3	KK033006R	1	BOLT M10X30	
4	KK056856R	1	BRACKET	
4	KK056083R	1	BRACKET FOR SKIM	
4	KK066830R	1	SKIMMER BRACKET L. W/ SCREWS	
5	KK066860	1	BRACKET	
6	KK015825	1	M16 NUT	
7	KK032795	1	HEX BOLT M16X95 10.9	
8	KK034228	1	SET SCREW M16X32 GALV.	
9	KK056062	1	SKIMMER ARM	
10	KK066832	1	SKIMMER ARM	

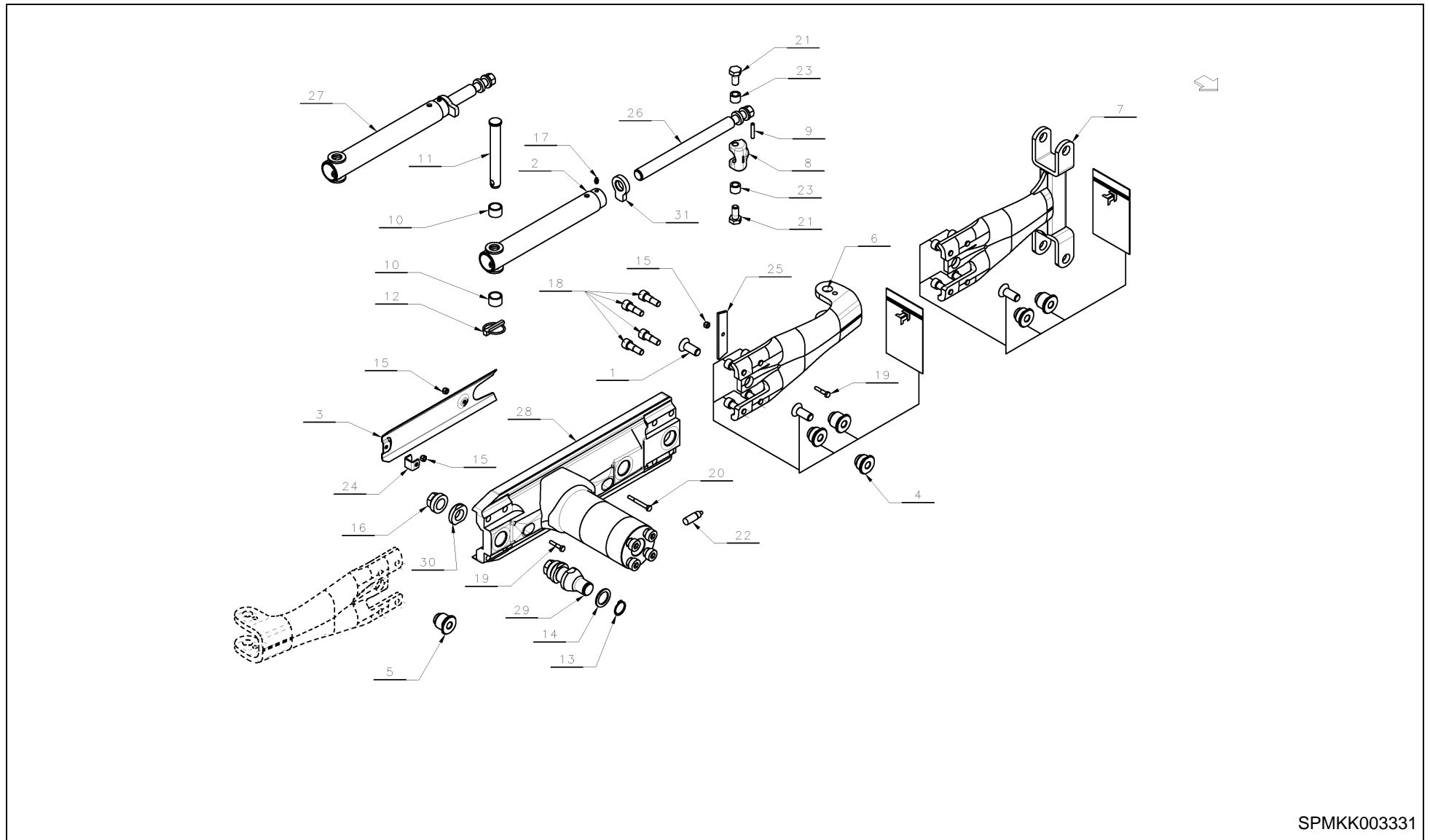


SPMKK002772

ES/LS / HEADSTOCK 200 - TOWER

PosNo.	Part No.	Qty.	Description	Remark
1	A133440894	1	ADJUSTING ARM HS200	
2	A133641194	1	BRG HS200/300	
3	A133849694	1	HOLDER TRANSPORT BOLTS	FOR 2300
4	KG01126800	1	CIRCLIP-B 28 X 1.2	
5	KG01187862	1	TENSION PIN 5X28	
6	KK067031R	1	MAINBOLT	
7	KK071904R	1	SEALRING	
8	KK081536R	1	END CAP HS200 WITH SCREWS	
9	KK081540R	1	LOCK MECHANISM HS200	
10	KK081557R	1	BRACKET FOR VALVE HS200	
11	KK081569R	1	HANDLE FOR TRANSPORT-LOCK HS200	
12	KK081570R	1	AXLE FOR TRANSPORT-LOCK HS200	
13	KK081571R	1	ECCENTRIC FOR TRANSPORT-LOCK	
14	KK081572R	1	WASHER FOR HS200	
15	KK082035	1	REP.KIT W/BOLTS HS200/HS300	
16	KK356042R	1	PRESSURE SPRING D2.8-D23.8X125	
17	KK010158	1	BUSHING D44.5XD32.5X23	
18	KK010293	1	TOP LINK U-BOLT CAT.II & III	
19	KK010566	1	ROLLER-BEARING NA4924 120X165X45	
20	KK010606	1	SPANNER NV27-19 L450	
21	KK010700	1	PIN D12 NS 555	
22	KK010958	1	BUSHING BRONZE 20X28X20	
23	KK011262	1	CIRCLIP 35X1.5 NS5143 GALV.	
24	KK011890	1	O-RING D120X3 70SHORE	
25	KK011891	1	O-RING D150X3 70 SHORE	
26	KK012978	1	WASHER D35.1-D50X3	
27	KK012979R	1	WASHER	
28	KK013062	1	O-RING D153X6 70 NBR	
29	KK013064	1	O-RING D112X2	
30	KK015817	1	NUT M12 GALV.	
31	KK029920	1	GREASE NIPPLE M8X1 STRAIGHT	
32	KK032725	1	HEX BOLT M16X27 10.9	
33	KK032735	1	HEX BOLT M16X35 10.9	
34	KK033416	1	HEX BOLT M8X16 GALV.	
35	KK033630	1	HEX BOLT M12X30 GALV.	
36	KK081402	1	WASHER D34-D57X9 CONVEX	
37	KK081404	1	ADJUSTABLE SCREW	
38	KK081506	1	NUT WITH HANDLE	
39	KK081599	1	ADJUSTER	
40	KK081796	1	HEADSTOCK MOD. 200 WITH BEARING	

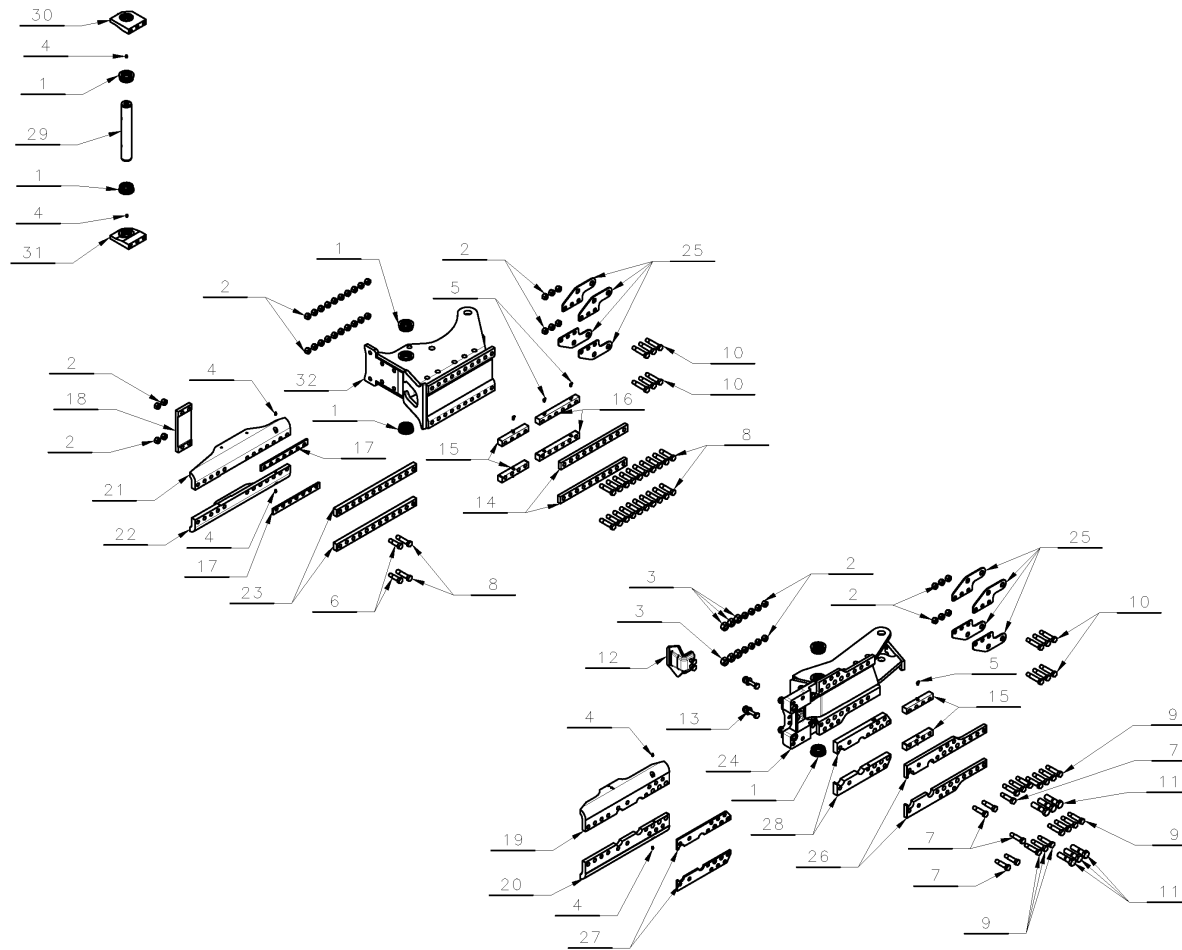
ES/LS / HEADSTOCK 200 - SLIDE



SPMKK003331

ES/LS / HEADSTOCK 200 - SLIDE

PosNo.	Part No.	Qty.	Description	Remark
1	A100053562	1	COUNTERSUNK HEAD SCREW M20X50 10.9	
2	A133415788	1	TUBE FOR ADJ. SCREW HS200/300	
3	A133420394	1	COVER FOR HOSES	
4	A152212501	1	BOLT CYLINDER BRACKET HS200	
5	A152213001	1	BOLT CYLINDER BRACKET HS200	
6	A152248932	1	FIRST FURROW ADJ.FIX W/BOLTS AND SCREWS	
7	A152249132	1	DOUBLE 1 FURR. BRACKET W/BOLTS & SCREWS	
8	A152401362	1	FIX. FOR ADJ. SCREW HS200	
9	KG01191962	1	TENSION PIN 8X45	
10	KK010152	1	BUSHING D27.3-D33.7X22	
11	KK010337	1	BOLT W/HEAD D25.3X180	For EG
11	KK126095	1	BOLT W-HEAD D25X212	For ES-LS & Ecomat
12	KK010700	1	PIN D12 NS 555	
13	KK011262	1	CIRCLIP 35X1.5 NS5143 GALV.	
14	KK012978	1	WASHER D35.1-D50X3	
15	KK016005	1	LOCK NUT M8	
16	KK016064	1	FLANGENUT M30	
17	KK029920	1	GREASE NIPPLE M8X1 STRAIGHT	
18	KK032050	1	CHEESE HEAD SCREW M16X45 DIN 912	
19	KK032440	1	HEX BOLT M8 X 40 8.8	
20	KK032470	1	HEX BOLT M8X70	
21	KK032735	1	HEX BOLT M16X35 10.9	
22	KK060221	1	LOCTITE 2701	
23	KK074319	1	BUSHING D16.5-D25.5X19	
24	KK081547	1	BRACKET FOR COVER HS200	
25	KK081565R	1	FIXING PLATE FOR HOSES	
26	KK081588	1	ADJUSTMENT SCREW M30 HS200/300	
27	KK081590	1	ADJUSTMENT SCREW M30 HS200/300	
28	KK081597	1	MAIN-SHAFT FOR HS200	
29	KK081964	1	AXLE WITH NUT AND WASHER HS200	
30	KK089765	1	WASHER D30.2-D55X13	
31	KK351148	1	COUNTER NUT M30X3,5	

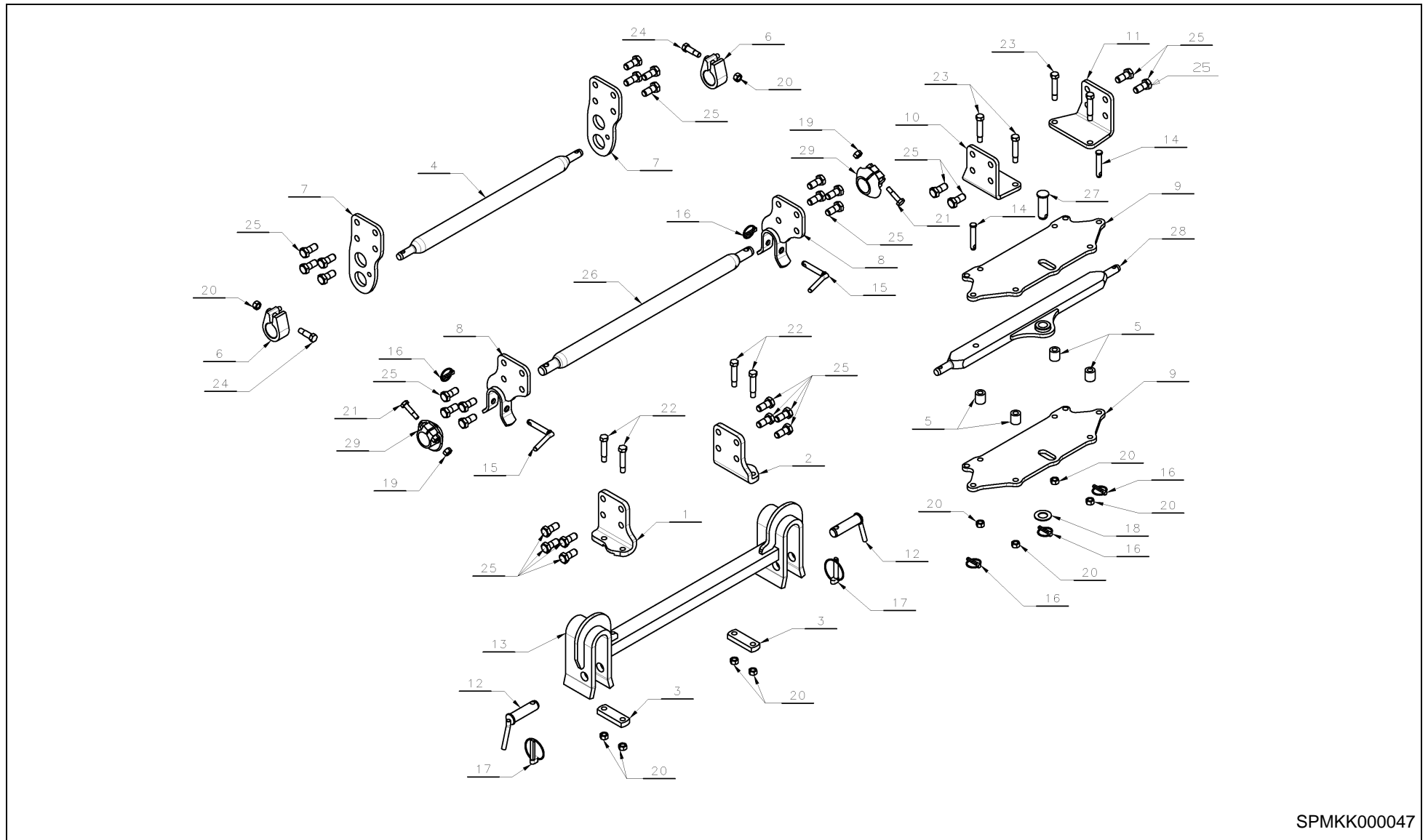


SPMKK003065

ES/LS / FRONT SECTION HS-200



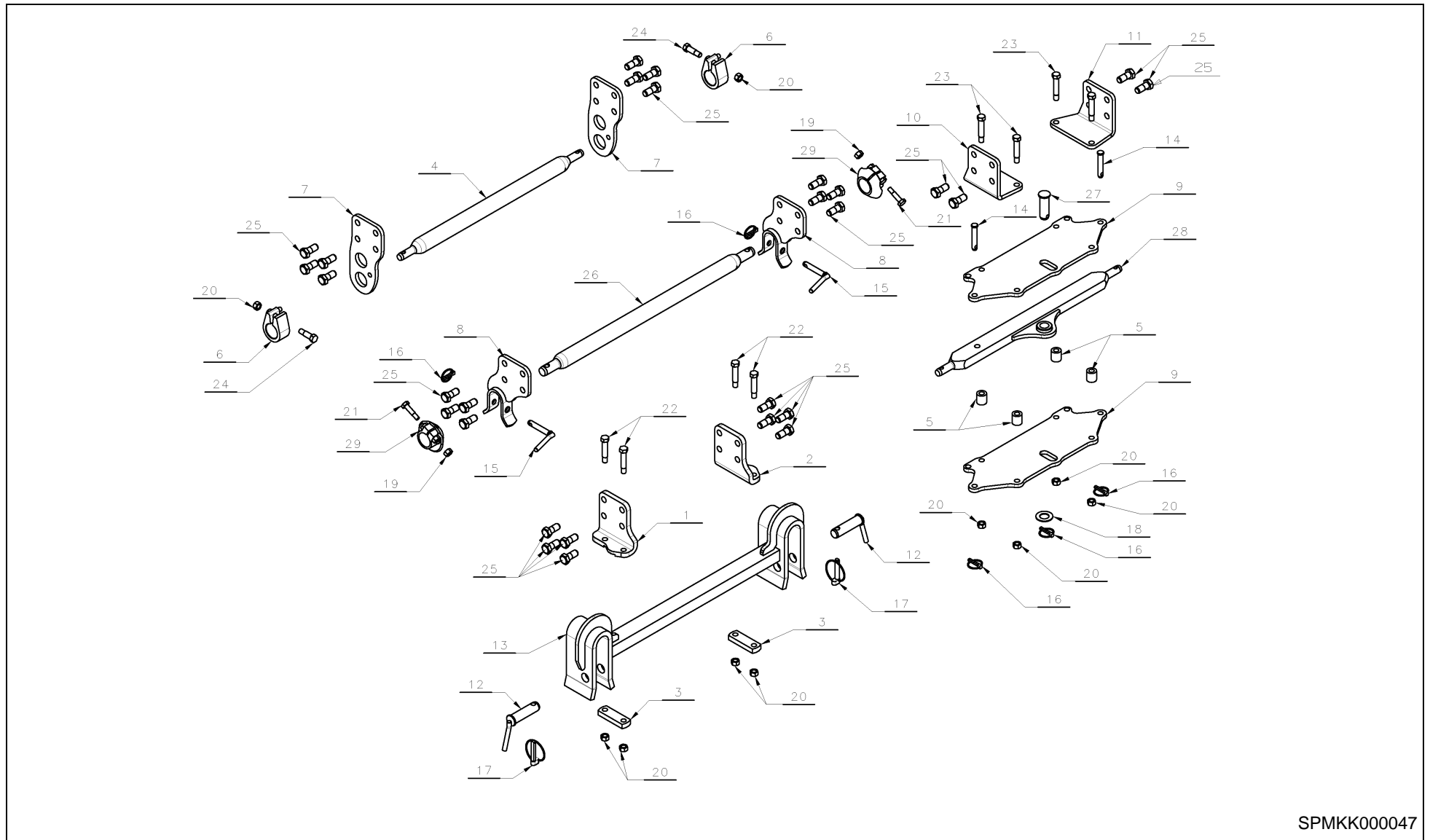
PosNo.	Part No.	Qty.	Description	Remark
1	KK011606R	1	BRG D75XD55X25 WITH FL 3HOLES	
2	KK015830	1	NUT M20	
3	KK015841	1	NUT M24 GALV.	
4	KK029920	1	GREASE NIPPLE M8X1 STRAIGHT	
5	KK029927	1	GREASE NIPPLE M8X1 45 DG	
6	KK032870	1	HEX BOLT M20X70 10.9	
7	KK032880	1	HEX BOLT M20X80 10.9	
8	KK032885	1	HEX BOLT M20X85 10.9	
9	KK032890	1	HEX BOLT M20X90 10.9	
10	KK032895	1	HEX BOLT M20X95 10.9	
11	KK032995	1	HEX BOLT M24X95	
12	KK061637R	1	STEERING PLATE	
13	KK071259	1	2 BALLS M16X90	
14	KK071942R	1	SLIDE RAIL OUTER 10H D20.5	
15	KK072617R	1	INNER SLIDE RAIL B=30,3	
16	KK072618R	1	INNER SLIDE RAIL 6 HOLES Ø20 LB-EG	
17	KK081344	1	PLATE INNER SLIDE 7H T=8 D20	
18	KK081345R	1	PLATE, SLIDE PACOMAT VH200	
19	KK081382R	1	FIXING BAR UPPER ES/LS	
20	KK081383R	1	FIXING BAR LOWER	
21	KK081778	1	FIXING BAR SHORT UPPER	
22	KK081779	1	FIXING BAR SHORT LOWER	
23	KK085278R	1	SLIDE LIST OUTER 12H 20.5	
24	KK085307	1	FRONT PIECE ES	
25	KK085336R	1	PLATE CYLINDER BRACKET	
26	KK085337R	1	RAIL OUTER	
27	KK085338R	1	PLATE	
28	KK085347R	1	RAIL	
29	KK085361	1	AXLE D55X358	
30	A133858794	1	SUPPORT PLATE FOR AXLE UPPER	
31	A133858894	1	SUPPORT PLATE FOR AXLE LOWER	
32	KK085830	1	FRONTPIECE SHORT WITH BUSHINGS	



SPMKK000047

ES/LS / CROSS SHAFTS HS-200

PosNo.	Part No.	Qty.	Description	Remark
1	A133269294	1	PLATE RIGHT	
2	A133269394	1	PLATE LEFT	
3	A133269594	1	RAIL	
4	KK064319R	1	CROSS-SHAFT D60 CAT 2 L=825	
4	KK064320R	1	CROSS-SHAFT D60 CAT 2 L=935	
4	KK064370R	1	CROSS-SHAFT D60 CAT 3 L=825	
4	KK064321R	1	CROSS-SHAFT D60 CAT 3 L=965	
5	KK064343R	1	BUSHING D38X20,5X41	for cat. II
5	KK071793R	1	BUSHING D20.5-D35X53	for cat. III
6	KK064360	1	STOP RING D60	
6	KK074397R	1	STOP RING Ø70	
7	KK081534R	1	BRACKET FOR DRAWBAR D60	
7	KK081535R	1	BRACKET FOR DRAWBAR D70	
8	KK081550R	1	HOLDER FOR QUICK COUPLING HS200	
8	KK081552R	1	HOLDER FOR LOWERED CROSS-SHAFT Ø60	
8	KK081560R	1	QUICK COUPLING Ø70 HS200	
8	KK081562R	1	HOLDER FOR LOWERED CROSS-SHAFT Ø70 HS200	
9	KK081580R	1	PLATE UPP.&LOW. CROSS-SH.	
10	KK081581R	1	FIXING BRACKET RH FOR TURNABLE CROSS-SH.	
11	KK081583R	1	FIXING BRACKET LH FOR TURNABLE CROSS-SH.	
12	KK087047	1	HITCH PIN WITH HANDLE	
13	KK087048R	1	CROSS SHAFT FOR HS300	
14	KK010278	1	BOLT W/HEAD D19X93	for cat. II
15	KK010288	1	BOLT WITH HANDLE D19XL93	for cat. III
16	KK010700	1	PIN D12 NS 555	
17	KK010885	1	PIN	
18	KK012951	1	WASHER D36-D65X3	
19	KK015825	1	M16 NUT	
20	KK015830	1	NUT M20	
21	KK032770	1	HEX BOLT M16X70 10.9	for KK074354
21	KK032780	1	HEX BOLT M16X80 10.9 W/WAX	for KK072634
22	KK032807	1	HEX BOLT M20X100 10.9	
23	KK032824	1	HEX BOLT M20X105 10.9	for cat. II
23	KK032805	1	HEX BOLT M20X120 10.9	for cat. III
24	KK032865	1	HEX BOLT M20X65 10.9	for KK064360
24	KK032870	1	HEX BOLT M20X70 10.9	for KK074397
25	KK032956	1	HEX BOLT M24X55/28 10.9	
26	KK064321R	1	CROSS-SHAFT D60 CAT 3 L=965	
26	KK064323R	1	CROSS-SHAFT D60 CAT 3 L=860	
26	KK064370R	1	CROSS-SHAFT D60 CAT 3 L=825	

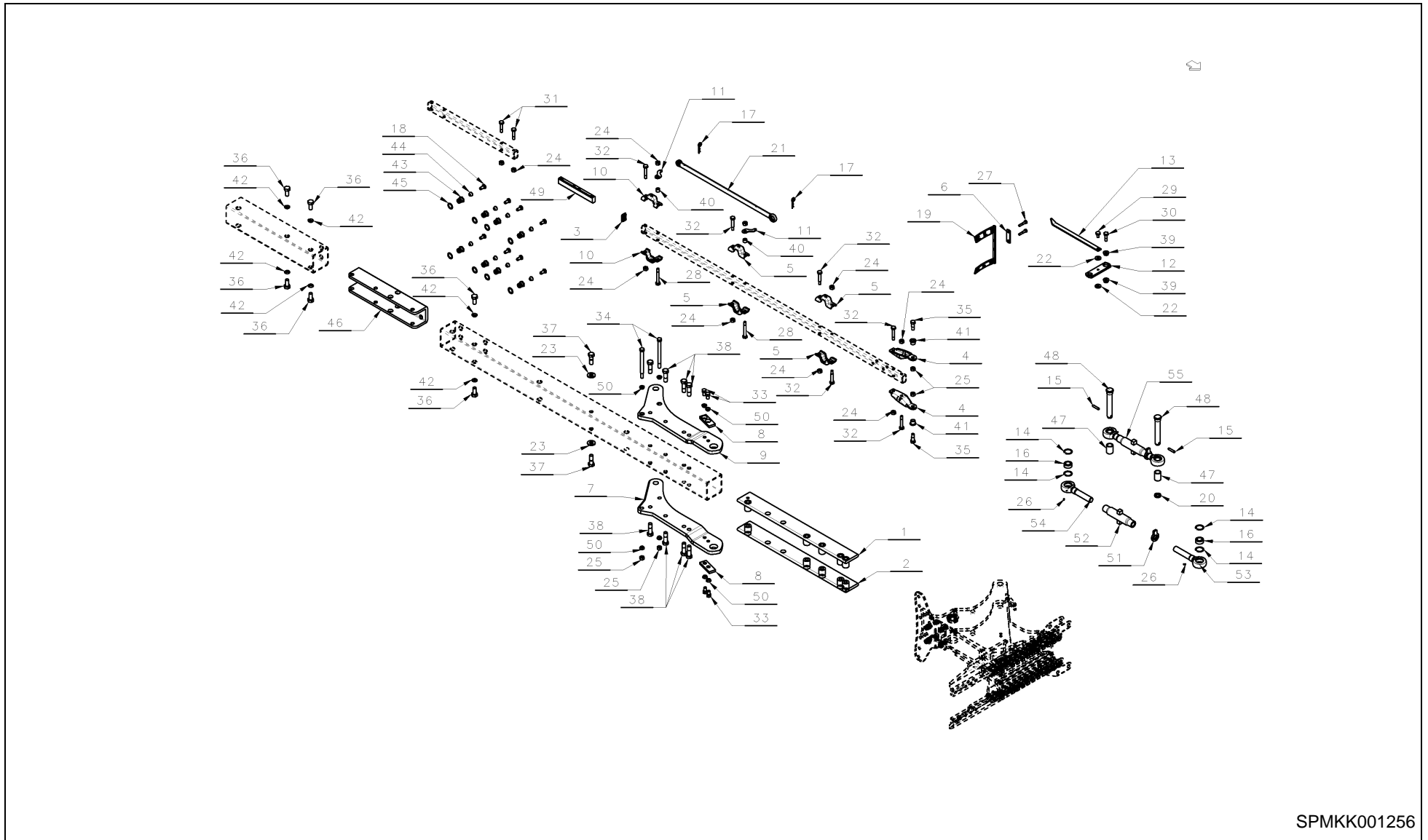


SPMKK000047

ES/LS / CROSS SHAFTS HS-200



PosNo.	Part No.	Qty.	Description	Remark
26	KK074396R	1	CROSS-SHAFT D70 CAT 3 L=860	
26	KK074395R	1	CROSS-SHAFT Ø70 CAT.3 L=965MM	
27	KK071794	1	BOLT W/HEAD D35X90	
28	KK074332	1	CROSS SHAFT TURNABLE CAT. 2 L=825	
28	KK074198R	1	CROSS-SHAFT TURNABLE CAT3 L 965	
29	KK074354R	1	COLLAR FOR QUICK COUPLING D60	
29	KK072634R	1	COLLAR FOR QUICK COUPLING D70	

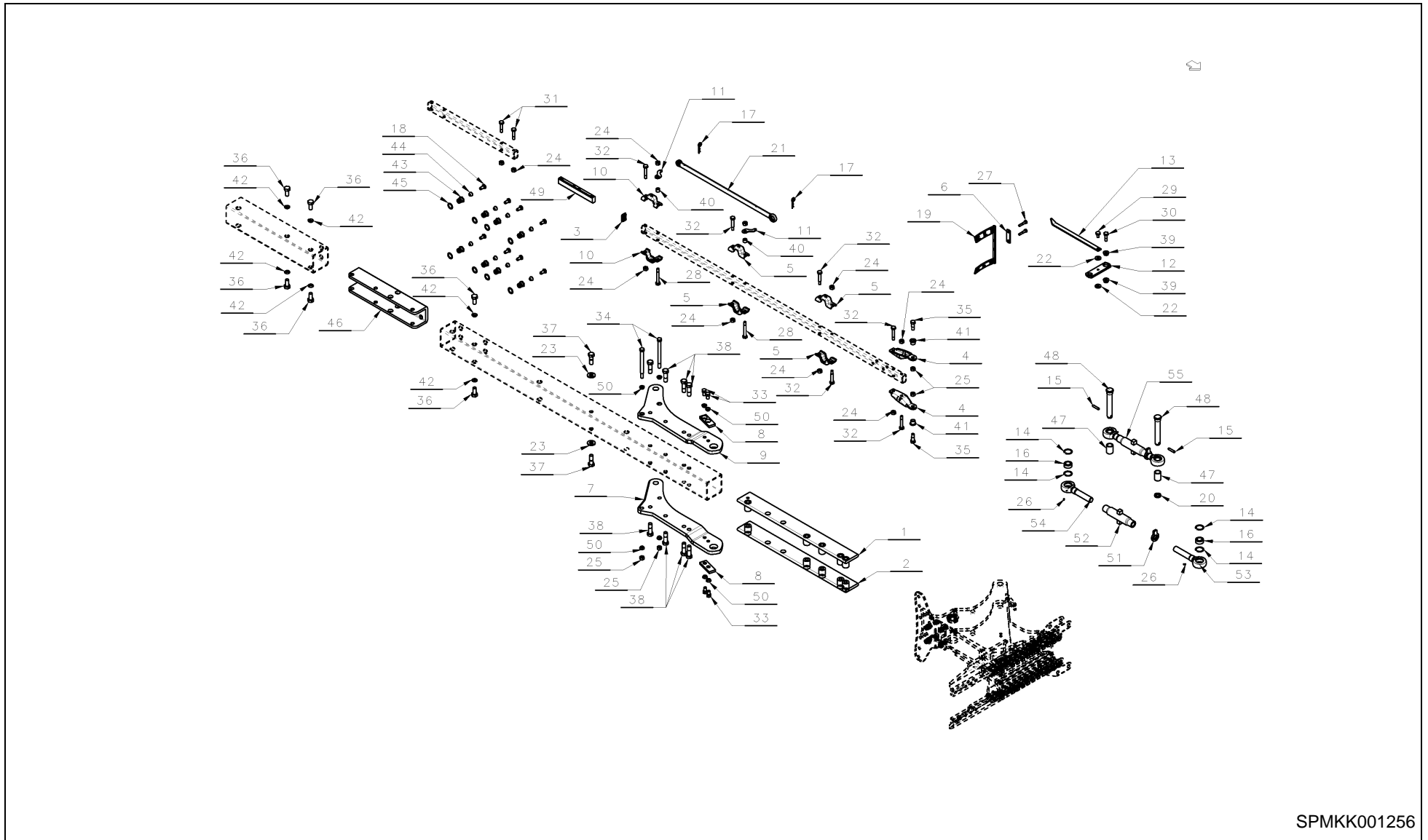


SPMKK001256

ES/LS / FRAME PARTS ES-LS 85-100-115



PosNo.	Part No.	Qty.	Description	Remark
1	A133267703	1	SUPPORTING PLATE UPPER SHORT	
2	A133267803	1	SUPPORTING PLATE LOWER SHORT	
3	A133304686	1	PLASTIC CUP 60X40X5	
4	A133397594	1	BRACKET FOR PARALLEL ROD	
5	A133397694	1	BRACKET FOR PARALLEL ROD	
6	A133397794	1	PLATE FOR SCALE	
7	A133398094	1	SUPPORTING BRACKET LOWER	
8	A133398194	1	LAASEPLATE	
9	A133398294	1	SUPPORTING BRACKET UPPER	
10	A133398394	1	FIX FOR PARALELL ROD EXTENTION KIT	
11	A133398494	1	FIX FOR SPANNER SPLINT	
12	A133409194	1	BRACKET FOR INDICATOR	
13	A133409388	1	INDICATOR	
14	KG01129300	1	CIRCLIP-B 55 X 2	
15	KG01195600	1	TENSION PIN 12X60	
16	KK011223R	1	SPHERICAL BRG GE 35 DO	
17	KK029773	1	SPRING PIN D5	
18	KK032736	1	HEXAGON BOLT M16X35 10.9 H-7	
19	KK075906	1	HOLDER FOR INDICATOR ASSEMBLED	
20	KK010149	1	BUSHING D35-D42.5X10	
21	KK010650	1	UNIVERSAL SPANNER NV 27-36	
22	KK012922	1	WASHER D17-D40X4.58	
23	KK012940	1	WASHER D25.4-D55X4.58	
24	KK015825	1	M16 NUT	
25	KK015830	1	NUT M20	
26	KK029918	1	GREASE NIPPLE M6	
27	KK032660	1	HEX BOLT M12 X 60	
28	KK032704	1	HEX BOLT M16X120	
29	KK032725	1	HEX BOLT M16X27 10.9	
30	KK032755	1	HEX BOLT M16X55 10.9	
31	KK032775	1	HEX BOLT M16X75 10.9	
32	KK032795	1	HEX BOLT M16X95 10.9	
33	KK032830	1	HEX BOLT M20X30 10.9	
34	KK032839	1	HEX BOLT M20X230 10.9	
35	KK032855	1	HEX BOLT M20X55 10.9	
36	KK032950	1	HEX BOLT M24X50 10.9	
37	KK032970	1	HEX BOLT M24X70 S=27+3	
38	KK032980	1	HEX BOLT M24X80 S=40+3	
39	KK071664	1	SLIDE BRG W/FLANGE D16.25X16-D30/13	
40	KK074319	1	BUSHING D16.5-D25.5X19	



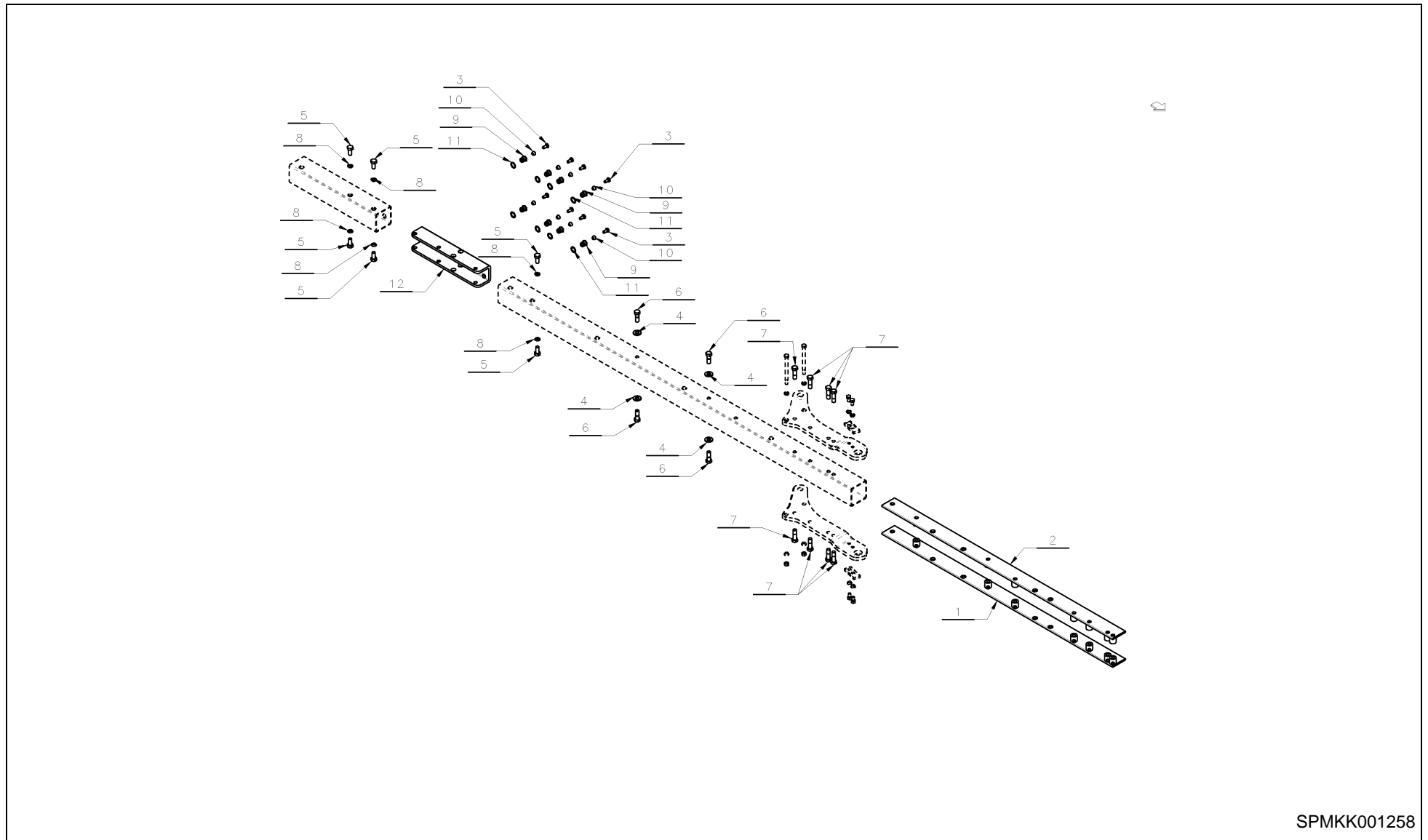
SPMKK001256

ES/LS / FRAME PARTS ES-LS 85-100-115



PosNo.	Part No.	Qty.	Description	Remark
41	KK075880	1	SLIDE BRG W/ FLANGE D20.25X27-D30/22	
42	KK079596	1	SPRING WASHER D24	
43	KK082646	1	CONICAL BUSHING D32	
44	KK082647	1	INNER CONE FOR M16 SCREW	
45	KK082648	1	WASHER D33-D44.5X1.5 EL GALV	
46	KK085370	1	SUPPORT EXTENSION KIT ES	
47	KK085374	1	TUBE D44XD35X60	
48	KK085388	1	BOLT WITH STEP	
49	KK088061	1	CONNECTING PIECE PARALLELL ROD	
50	KK301223	1	CONE D20.5-D32X12	
51	KK351192	1	COUNTER NUT M36X4	
52	KK351226	1	TUBE WITH KNOBS	
53	KK351230	1	ROD HEAD FOR TURNBUCKLE RIGHT	
54	KK351231	1	ROD HEAD FOR TURNBUCKLE LEFT	
55	KK361143	1	TURNBUCKLE M36X 4X 468+210	

ES/LS / FRAME PARTS ES-85-100-5 FURROW EXTENDIBLE

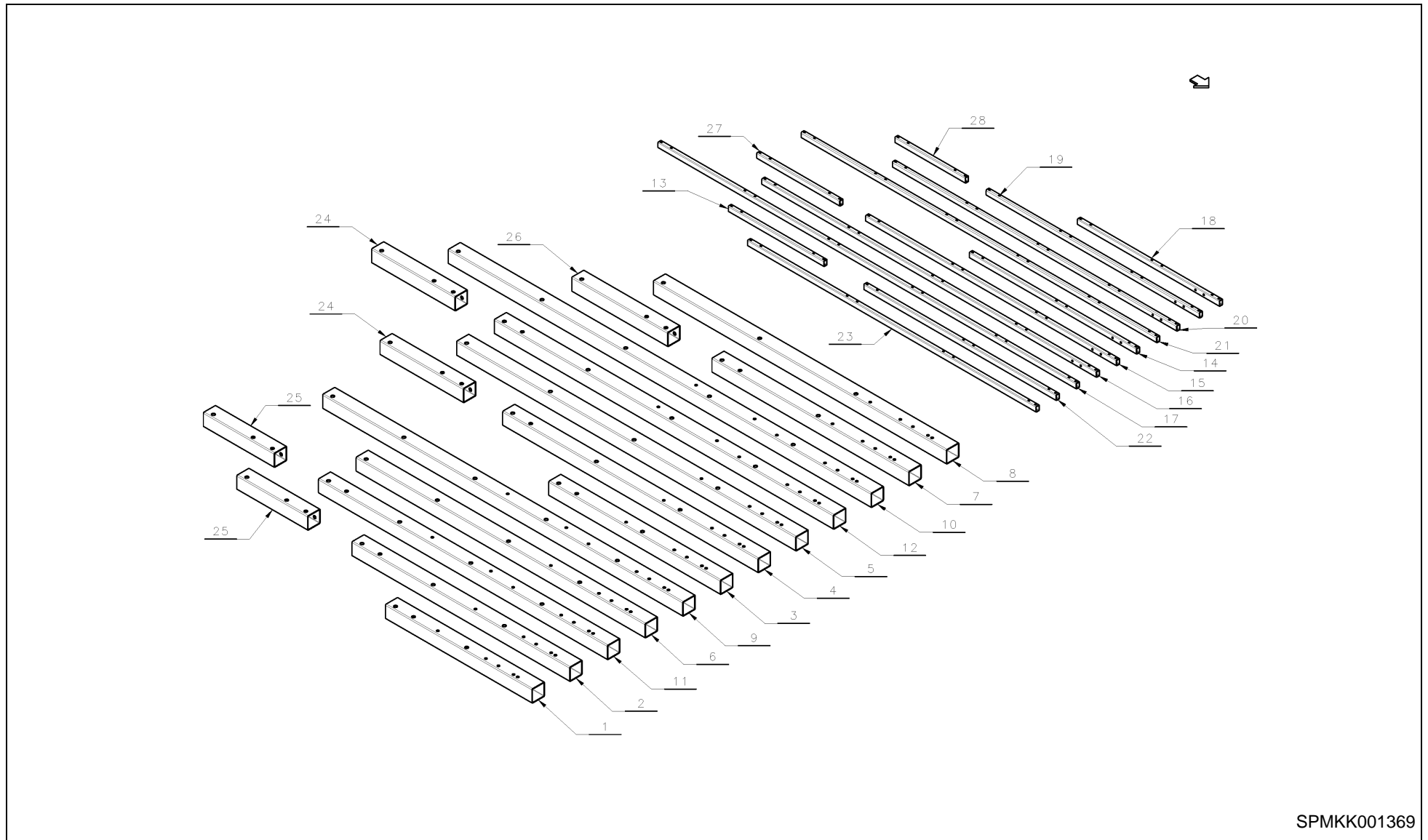


SPMKK001258

ES/LS / FRAME PARTS ES-85-100-5 FURROW EXTENDIBLE



PosNo.	Part No.	Qty.	Description	Remark
1	A133242803	1	SUPPORT PLATE INNER LOWER LONG	
2	A133258203	1	SUPPORT PLATE INNER UPPER LONG	
3	KK032736	1	HEXAGON BOLT M16X35 10.9 H-7	
4	KK012940	1	WASHER D25.4-D55X4.58	
5	KK032950	1	HEX BOLT M24X50 10.9	
6	KK032970	1	HEX BOLT M24X70 S=27+3	
7	KK032980	1	HEX BOLT M24X80 S=40+3	
8	KK079596	1	SPRING WASHER D24	
9	KK082646	1	CONICAL BUSHING D32	
10	KK082647	1	INNER CONE FOR M16 SCREW	
11	KK082648	1	WASHER D33-D44.5X1.5 EL GALV	
12	KK085370	1	SUPPORT EXTENSION KIT ES	

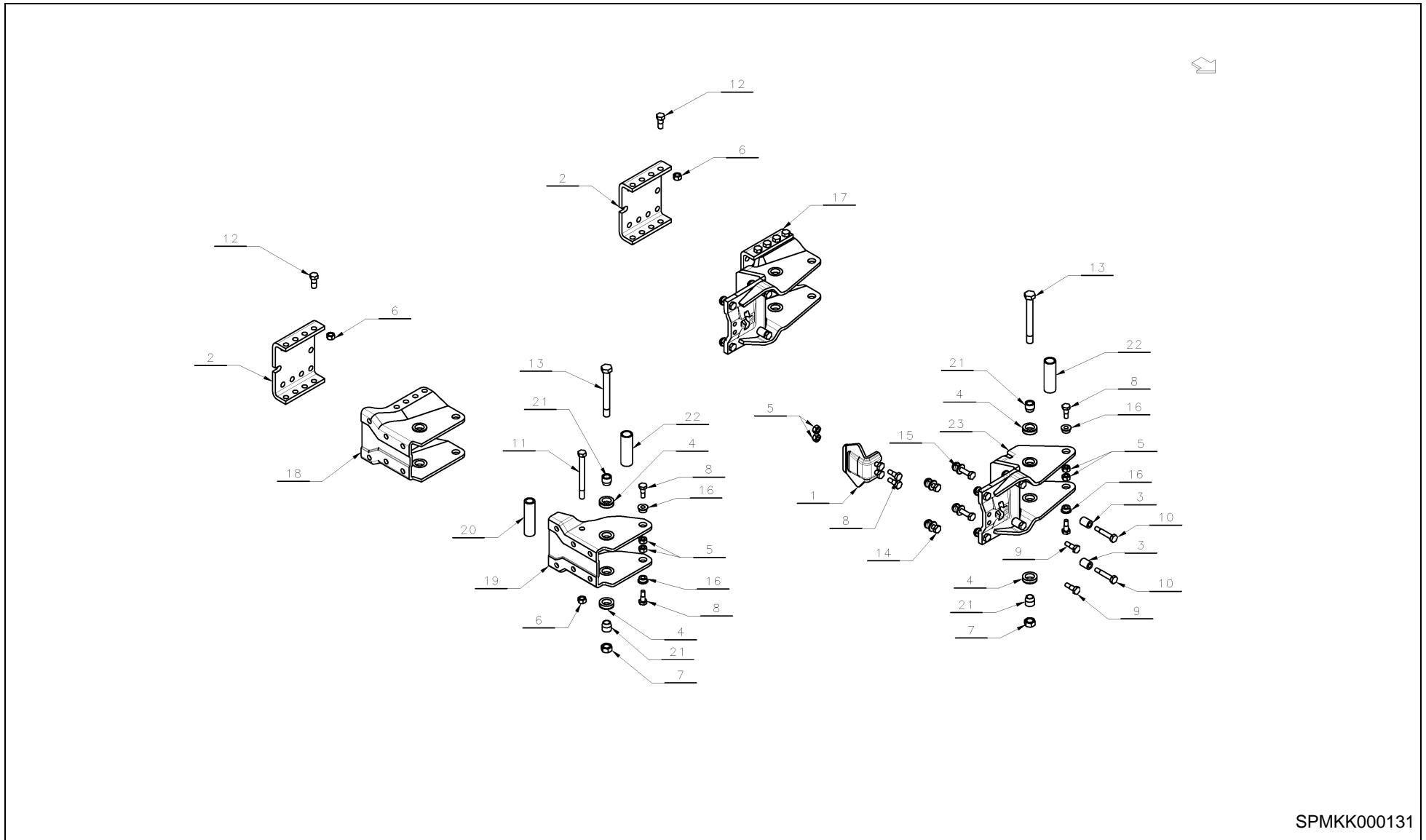


SPMKK001369

ES/LS / MAIN FRAME ES-LS 85-100-115



PosNo.	Part No.	Qty.	Description	Remark
1	A133381294	1	MAIN FRAME ES 85 3 FURROW	
2	A133381394	1	MAIN FRAME ES 85 4 FURROW	
3	A133381494	1	MAIN FRAME ES 100 3 FURROW	
4	A133381594	1	MAIN FRAME ES 100 4 FURROW	
5	A133381694	1	MAIN FRAME ES 100 5 FURROW	
6	A133381794	1	MAIN FRAME ES 85 5 FURROW	
7	A133381894	1	MAIN FRAME LS 115 3 FURROW	
8	A133381994	1	MAIN FRAME LS 115 4 FURROW	
9	A133382094	1	MAIN FRAME ES/LS 85 6 FURROW	
10	A133382194	1	MAIN FRAME ES 100 6 FURROW	
11	A133382394	1	MAIN FRAME ES/LS 85 5 FURROW	
12	A133382494	1	MAIN FRAME ES/LS 100 5 FURROW	
13	A133389894	1	PARALLEL STAY EXT KIT PGRG 115	
14	A133389994	1	PARALLEL ROD ES 100 3 FURROW	
15	A133390094	1	PARALLEL ROD ES 100 4 FURROW	
16	A133390194	1	PARALLEL ROD ES 100 5 FURROW	
17	A133390294	1	PARALLEL ROD ES 100 6 FURROW	
18	A133390394	1	PARALLEL ROD ES 85 3 FURROW	
19	A133390494	1	PARALLEL ROD ES 85 4 FURROW	
20	A133390594	1	PARALLEL ROD ES 85 5 FURROW	
21	A133390694	1	PARALLEL ROD ES 85 6 FURROW	
22	A133390794	1	PARALLEL ROD LS 115 3 FURROW	
23	A133390894	1	PARALLEL ROD LS 115 4 FURROW	
24	A133391394	1	EXTENTION TUBE ES 100	
25	A133391494	1	EXTENTION TUBE ES 85	
26	A133391594	1	EXTENTION TUBE LS 115	
27	A133391694	1	EXTENSION TUBE PARALELL ROD ES 100	
28	A133391794	1	EXTENSION TUBE PARALELL ROD ES 85	

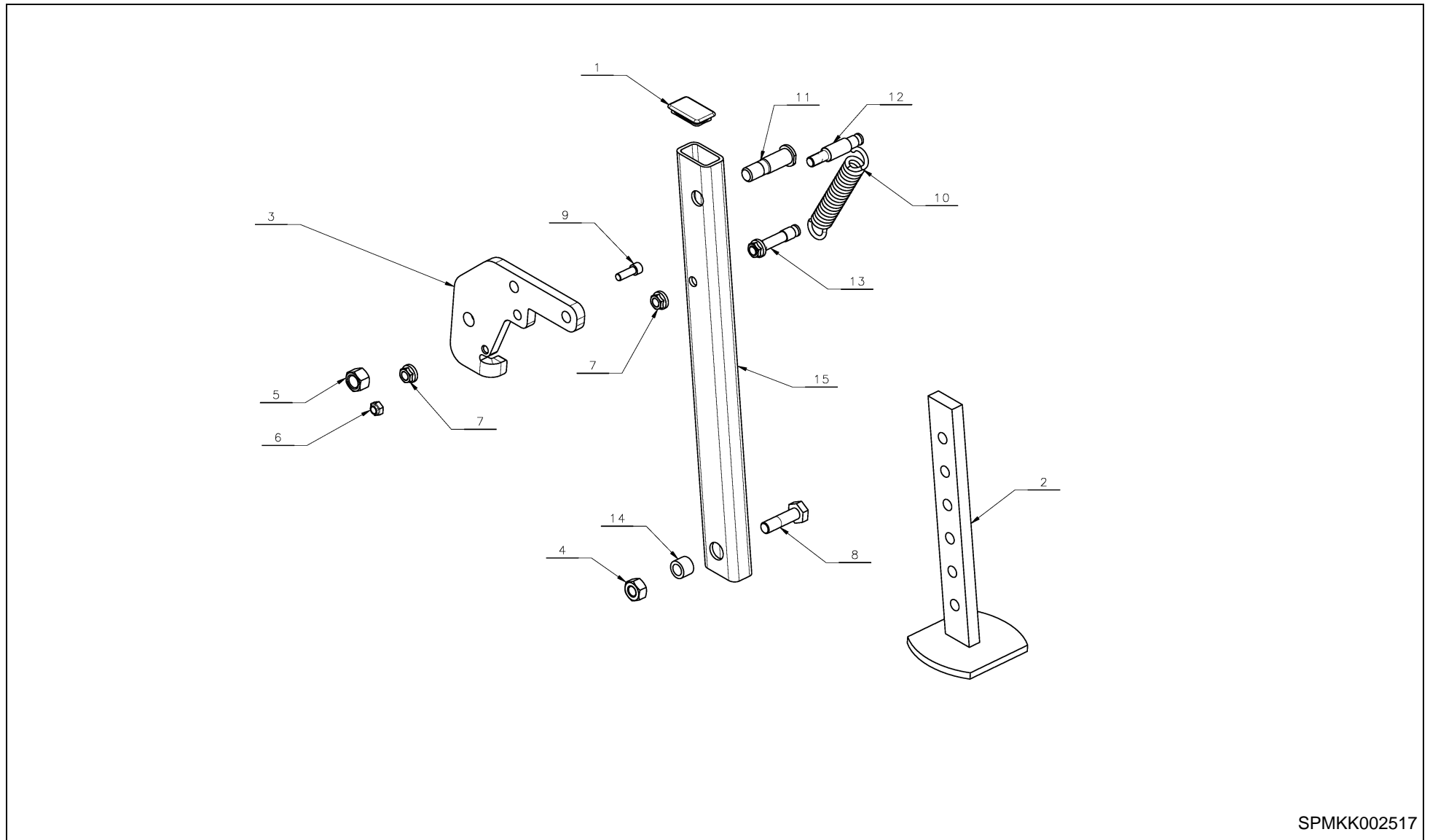


SPMKK000131

ES/LS / BEAM SUPPORT STEPLESS



PosNo.	Part No.	Qty.	Description	Remark
1	KK061637R	1	STEERING PLATE	
2	KK081369R	1	PLATE FOR WHEEL	
3	KK010168	1	BUSHING D16.25XD30X41	
4	KK011632	1	BUSHING FOR BEAM HOLDER	
5	KK015825	1	M16 NUT	
6	KK015830	1	NUT M20	
7	KK015841	1	NUT M24 GALV.	
8	KK032745	1	HEX BOLT M16X45 10.9 WITH WAX	
9	KK032754	1	2 BOLTS FOR BALLS M16X50	
10	KK032794	1	2 BOLTS FOR BALLS M16X90	
11	KK032820	1	HEX BOLT M20X200 10.9	
12	KK032845	1	HEX BOLT M20X45 10.9	
13	KK032921	1	HEX BOLT M24 X210 S=175+3	
14	KK071256	1	2 BALLS M16X50	
15	KK071259	1	2 BALLS M16X90	
16	KK071664	1	SLIDE BRG W/FLANGE D16.25X16-D30/13	
17	KK074744	1	BEAM/WHEEL SUPPORT W/BUSH&BALL ES	
18	KK074765	1	BEAM/WHEEL SUPPORT W/BUSHING LS	
19	KK074902	1	BEAM SUPPORT W/BUSHINGS LS	
20	KK074912	1	BUSHING D28,5-D40,7X151	
21	KK074913	1	CONE FOR BEAMHOLDER D24	
22	KK075889	1	BUSHING D34.5-D44.5X135	Not PG-RG
23	KK075911	1	BEAM SUPPORT W/BALLS	

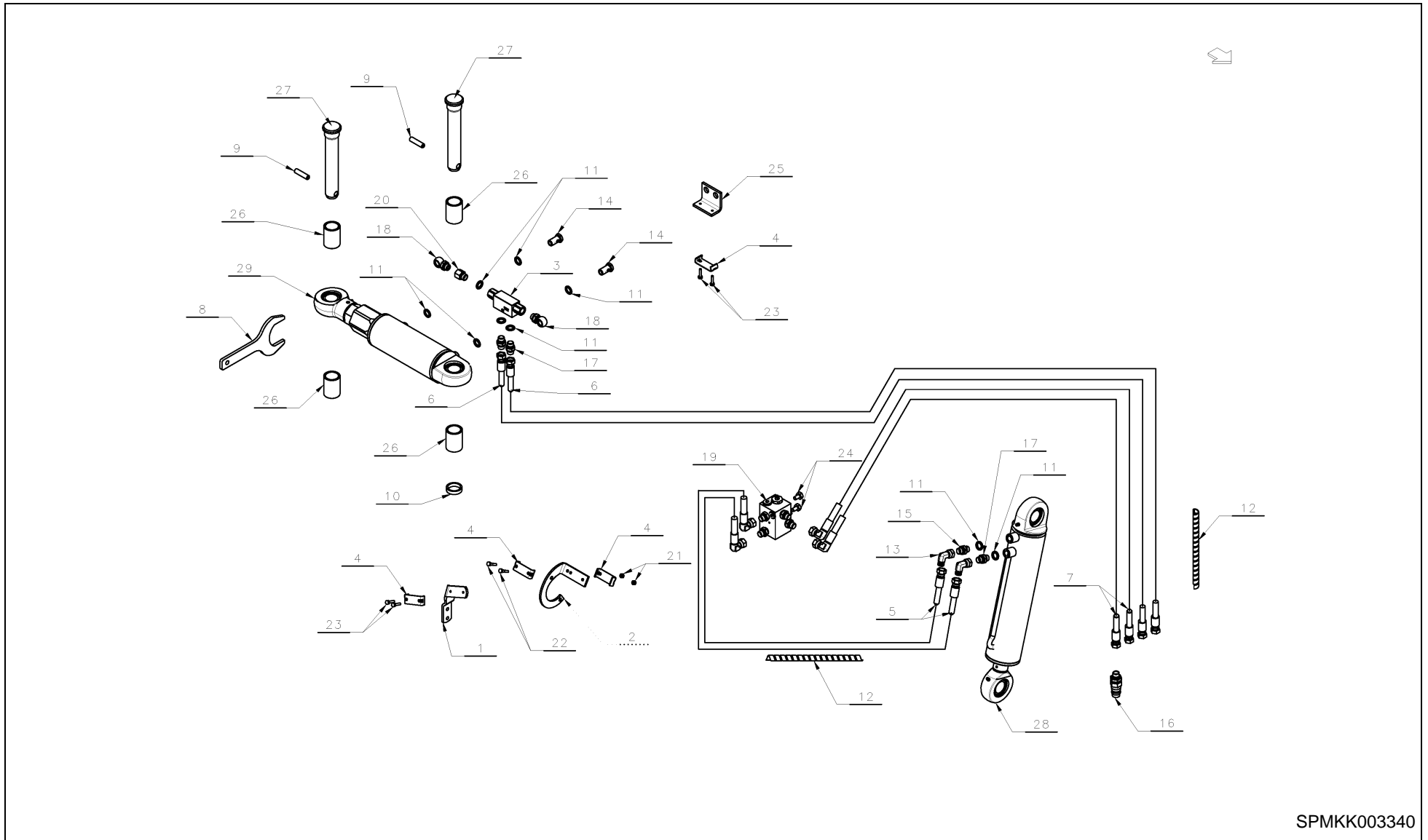


SPMKK002517

ES/LS / PARKING STAND



PosNo.	Part No.	Qty.	Description	Remark
1	A133304686	1	PLASTIC CUP 60X40X5	
2	A133414194	1	MACHINE STAND LOWER ADJUSTABLE	
3	A133423094	1	BRACKET FOR MACHINE STAND	
4	KK015825	1	M16 NUT	
5	KK015830	1	NUT M20	
6	KK016006	1	LOCK NUT M10 NYLON	
7	KK016013	1	FLANGE NUT M14 KEY19	
8	KK032760	1	HEX BOLT M16X60 10.9 W/WAX	
9	KK035025	1	CHEESE HEAD SCREW M10X30 12.9	
10	KK071711R	1	SPRING FOR MACHINE STAND	
11	KK071712R	1	MAIN BOLT	
12	KK071713	1	FRONT MAIN BOLT FOR SPRING	
13	KK071714R	1	PIN	
14	KK074319	1	BUSHING D16.5-D25.5X19	
15	KK081624R	1	TUBE FOR ADJUSTABLE PARKING STAND	

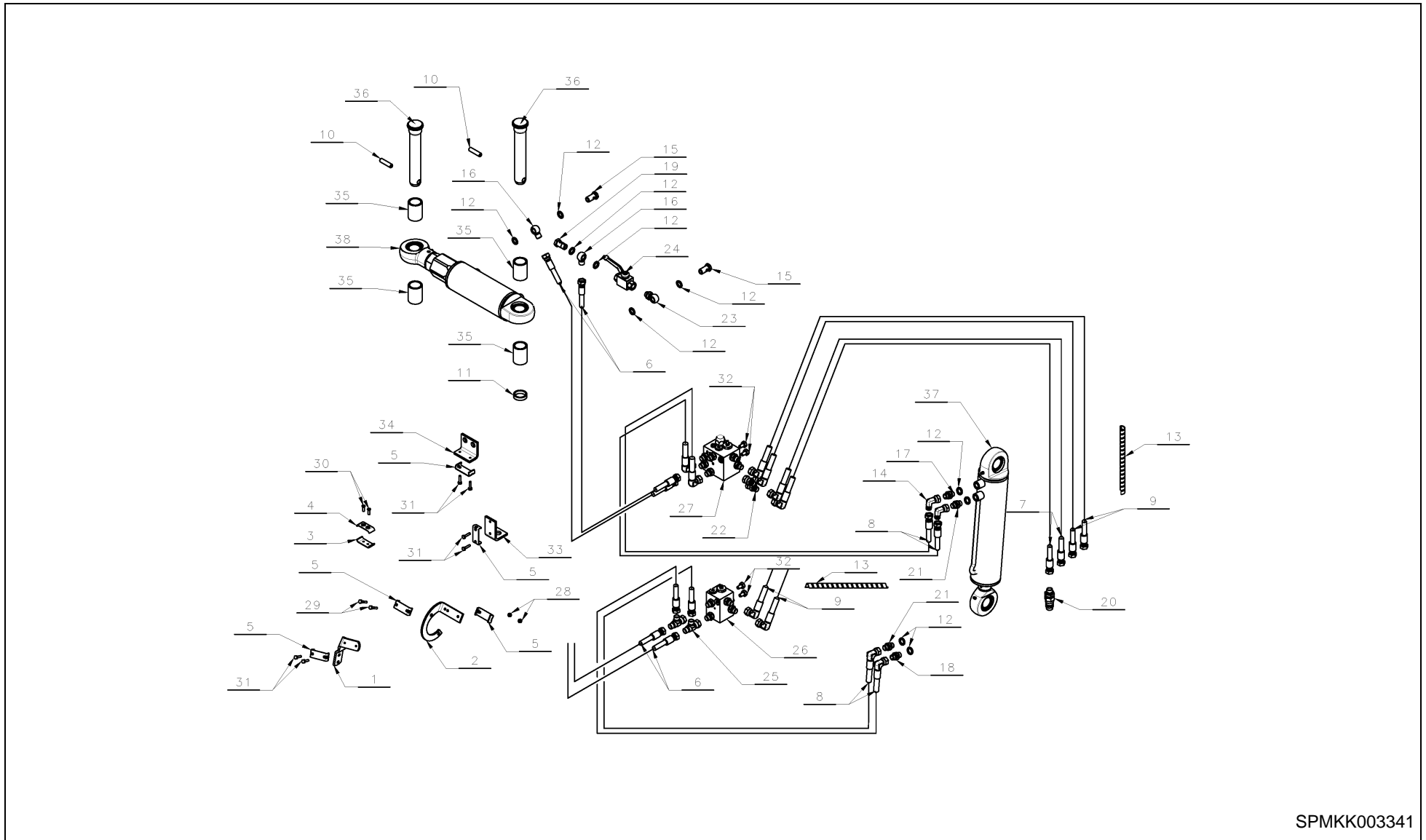


SPMKK003340

ES/LS / HYDRAULICS HS-200 BASIC VERSION



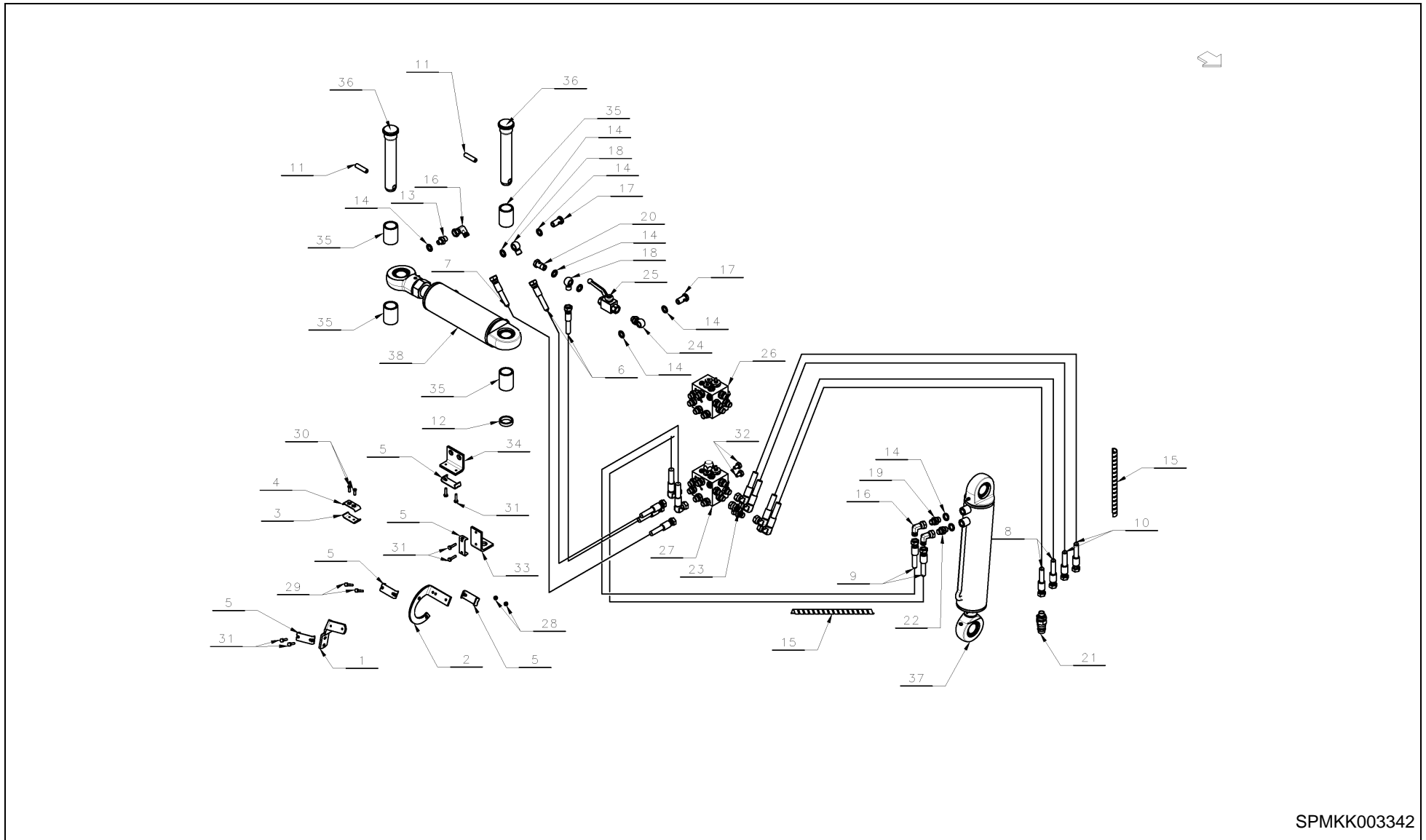
PosNo.	Part No.	Qty.	Description	Remark
1	A133420494	1	FIXING BRACKET FOR HOSES HS200	
2	A133420594	1	BRACKET FOR HOSE SUPPORT	
3	A133813763	1	LOCK VALVE WITHOUT O-RING	
4	A133816362	1	CLAMP FOR 3 X 1/4" - HOSES	
5	A152149930	1	HOSE 3/8X700 R-SV/90-SV 2 LAYERS	
6	A152208130	1	HOSE 1/4X3750 R-SV/R-SV 2 LAYERS	
7	A152231330	1	HOSE 3/8X1250 R-SV/90-SV 2 LAYERS	
8	A152890888	1	SPANNER FOR TURNOVER CYLINDER	
9	KG01195500	1	TENSION PIN 12X50	
10	KK010149	1	BUSHING D35-D42.5X10	
11	KK011585	1	SEAL RING R 3/8(INNER D17)	
12	KK011596	1	HOSE WRAPPER D12.5X250	
13	KK012056	1	90 DEG MALE-FEMALE G3/8 ADAPTOR	
14	KK012059	1	BANJO BOLT G3/8X31	
15	KK012078	1	COUPLING 3/8 D2.0 RESTRICTOR	
16	KK012158	1	QUICK COUPLING 1/2-3/8 W-COUPPL.	
17	KK012261	1	COUPLING 3/8-3/8	
18	KK012548	1	BANJO G3/8 WITH ADJUSTABLE END	
19	KK012740R	1	TURNOVERVALVE G3/8	
20	KK013680	1	COUPLING 3/8-3/8 OUT/INN L=18	
21	KK015806	1	NUT M6	
22	KK032330	1	HEX BOLT M6X30 PARTLY THREAD	
23	KK033325	1	HEX BOLT M6X25 GALV.	
24	KK033516	1	HEX BOLT M10X16 8.8	
25	KK061978	1	BRACKET FOR 3 HOSES H=60	
26	KK085374	1	TUBE D44XD35X60	
27	KK085388	1	BOLT WITH STEP	
28	KK353664	1	TURNOVER CYL HS200 D80-D40X520+300	
29	KK354719	1	CYL D80-D40X470+150	



SPMKK003341

ES/LS / HYDRAULICS HS-200 ALIGNMENT SYSTEMS

PosNo.	Part No.	Qty.	Description	Remark
1	A133420494	1	FIXING BRACKET FOR HOSES HS200	
2	A133420594	1	BRACKET FOR HOSE SUPPORT	
3	A133816062	1	HOSE CLAMP 1/4" X 3 - M6	
4	A133816262	1	HOSE CLAMP 1/4" X 3 - D7	
5	A133816362	1	CLAMP FOR 3 X 1/4" - HOSES	
6	A152148530	1	HOSE 1/4X2500 R-SV/R-SV 2 LAYERS	
7	A152149630	1	HOSE 1/4X1250 R-SV/90-SV 2 LAYERS	
8	A152149930	1	HOSE 3/8X700 R-SV/90-SV 2 LAYERS	
9	A152231330	1	HOSE 3/8X1250 R-SV/90-SV 2 LAYERS	
10	KG01195500	1	TENSION PIN 12X50	
11	KK010149	1	BUSHING D35-D42.5X10	
12	KK011585	1	SEAL RING R 3/8(INNER D17)	
13	KK011596	1	HOSE WRAPPER D12.5X250	
14	KK012056	1	90 DEG MALE-FEMALE G3/8 ADAPTOR	
15	KK012059	1	BANJO BOLT G3/8X31	
16	KK012062	1	BANJO G3/8- SHORT-H=17	
17	KK012078	1	COUPLING 3/8 D2.0 RESTRICTOR	
18	KK012080	1	COUPLING 3/8 D3.0 RESTRICTOR	
19	KK012082	1	BANJO BOLT G3/8X31 D1.4 RESTRICTOR	W/RESTRICTOR WHEN SEQUENCE
19	KK012059	1	BANJO BOLT G3/8X31	WHEN NO SEQUENCE
20	KK012158	1	QUICK COUPLING 1/2-3/8 W-COUPL.	
21	KK012261	1	COUPLING 3/8-3/8	
22	KK012319	1	COUPLING 3/8SWIVEL-3/8 OUTS.	
23	KK012548	1	BANJO G3/8 WITH ADJUSTABLE END	
24	KK012723	1	VALVE R3/8 WITH HANDLE	
25	KK012729	1	T-COUPLING 1XSWIVEL. 2X3/8OUT	
26	KK012740R	1	TURNOVERVALVE G3/8	
27	KK012742R	1	SEQ. VALVE G3/8"	
28	KK015806	1	NUT M6	
29	KK032330	1	HEX BOLT M6X30 PARTLY THREAD	
30	KK033321	1	COUNTERSUNK SCREW W/CR.TR M6X20	
31	KK033325	1	HEX BOLT M6X25 GALV.	
32	KK033516	1	HEX BOLT M10X16 8.8	
33	KK061943	1	BRACKET FOR 3 HOSES H=55	
34	KK061978	1	BRACKET FOR 3 HOSES H=60	
35	KK085374	1	TUBE D44XD35X60	
36	KK085388	1	BOLT WITH STEP	
37	KK353664	1	TURNOVER CYL HS200 D80-D40X520+300	
38	KK354719	1	CYL D80-D40X470+150	

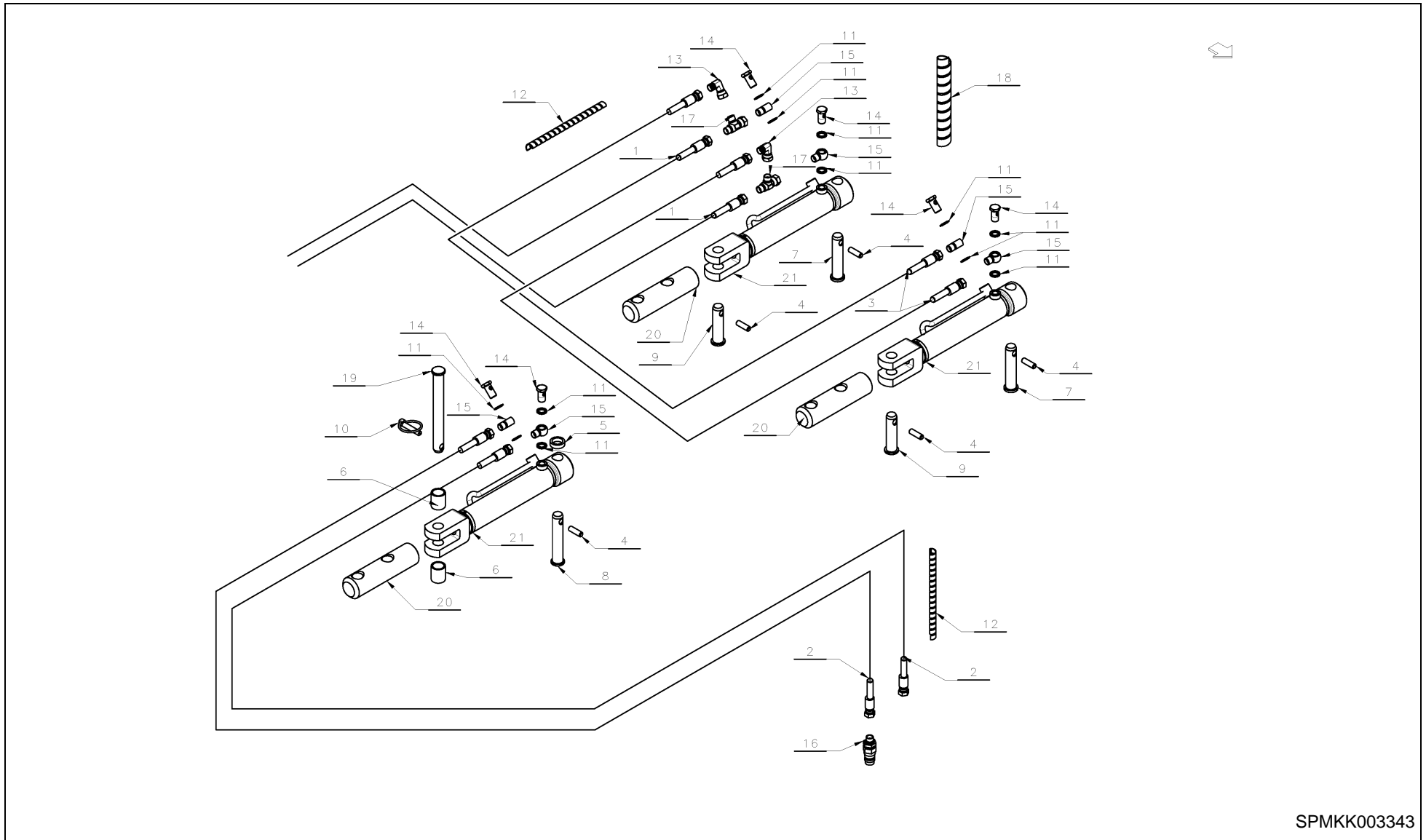


SPMKK003342

ES/LS / HYDRAULICS HS-200 MEMORY SYSTEMS

PosNo.	Part No.	Qty.	Description	Remark
1	A133420494	1	FIXING BRACKET FOR HOSES HS200	
2	A133420594	1	BRACKET FOR HOSE SUPPORT	
3	A133816062	1	HOSE CLAMP 1/4" X 3 - M6	
4	A133816262	1	HOSE CLAMP 1/4" X 3 - D7	
5	A133816362	1	CLAMP FOR 3 X 1/4" - HOSES	
6	A152148530	1	HOSE 1/4X2500 R-SV/R-SV 2 LAYERS	
7	A152148730	1	HOSE 1/4X2750 R-SV/R-SV 2 LAYERS	
8	A152149630	1	HOSE 1/4X1250 R-SV/90-SV 2 LAYERS	
9	A152149930	1	HOSE 3/8X700 R-SV/90-SV 2 LAYERS	
10	A152231330	1	HOSE 3/8X1250 R-SV/90-SV 2 LAYERS	
11	KG01195500	1	TENSION PIN 12X50	
12	KK010149	1	BUSHING D35-D42.5X10	
13	KK010867	1	THREADED COUPLING G1/4 UTV/G3/8 UTV	
14	KK011585	1	SEAL RING R 3/8(INNER D17)	
15	KK011596	1	HOSE WRAPPER D12.5X250	
16	KK012056	1	90 DEG MALE-FEMALE G3/8 ADAPTOR	
17	KK012059	1	BANJO BOLT G3/8X31	
18	KK012062	1	BANJO G3/8- SHORT-H=17	
19	KK012078	1	COUPLING 3/8 D2.0 RESTRICTOR	
20	KK012082	1	BANJO BOLT G3/8X31 D1.4 RESTRICTOR	
21	KK012158	1	QUICK COUPLING 1/2-3/8 W-COUPL.	
22	KK012261	1	COUPLING 3/8-3/8	
23	KK012319	1	COUPLING 3/8SWIVEL-3/8 OUTS.	
24	KK012548	1	BANJO G3/8 WITH ADJUSTABLE END	
25	KK012723	1	VALVE R3/8 WITH HANDLE	
26	KK012741R	1	MEMORY VALVE	
27	KK012743R	1	SEQ/ MEMORY VALVE G3/8*BM BODIES OVER	
28	KK015806	1	NUT M6	
29	KK032330	1	HEX BOLT M6X30 PARTLY THREAD	
30	KK033321	1	COUNTERSUNK SCREW W/CR.TR M6X20	
31	KK033325	1	HEX BOLT M6X25 GALV.	
32	KK033516	1	HEX BOLT M10X16 8.8	
33	KK061943	1	BRACKET FOR 3 HOSES H=55	
34	KK061978	1	BRACKET FOR 3 HOSES H=60	
35	KK085374	1	TUBE D44XD35X60	
36	KK085388	1	BOLT WITH STEP	
37	KK353664	1	TURNOVER CYL HS200 D80-D40X520+300	
38	KK354718	1	MEMORYCYL D80-D40X470+150	

ES/LS / FRONT FURROW ADJUSTMENT HS-200

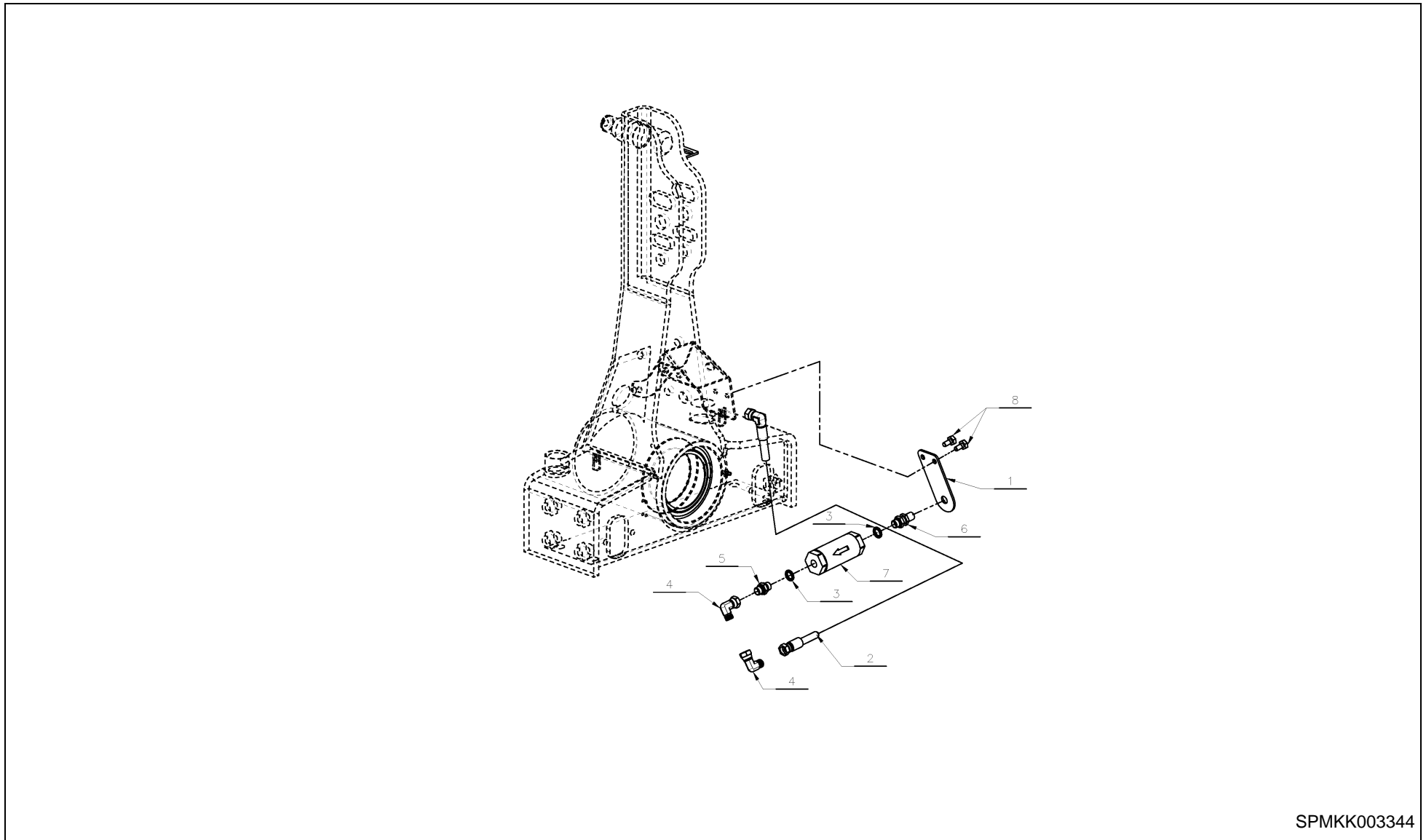


SPMKK003343

ES/LS / FRONT FURROW ADJUSTMENT HS-200



PosNo.	Part No.	Qty.	Description	Remark
1	A152148530	1	HOSE 1/4X2500 R-SV/R-SV 2 LAYERS	
2	A152148930	1	HOSE 1/4X3250 R-SV/R-SV 2 LAYERS	
3	A152329630	1	HOSE 1/4X500 R-SV/R-SV 2 LAYERS	
4	KG01195462	1	TENSION PIN 12X40	
5	KK010008	1	BUSHING D25.7-D35X10	
6	KK010042	1	BUSHING D27.3-D33.8X39	
6	KK010152	1	BUSHING D27.3-D33.7X22	FOR EG PLOUGH
7	KK010318	1	BOLT W/HEAD D25.3X103	
8	KK010319	1	BOLT W/ HEAD D25.3X120	
9	KK010332	1	BOLT W/HEAD D25.3X85	
10	KK010700	1	PIN D12 NS 555	
11	KK011585	1	SEAL RING R 3/8(INNER D17)	
12	KK011596	1	HOSE WRAPPER D12.5X250	
13	KK012056	1	90 DEG MALE-FEMALE G3/8 ADAPTOR	
14	KK012059	1	BANJO BOLT G3/8X31	
15	KK012062	1	BANJO G3/8- SHORT-H=17	
16	KK012158	1	QUICK COUPLING 1/2-3/8 W-COUPPL.	
17	KK012729	1	T-COUPLING 1XSWIVEL. 2X3/8OUT	
18	KK013500	1	HOSE WRAPPER D32X250	
19	KK126095	1	BOLT W-HEAD D25X212	
19	KK010337	1	BOLT W/HEAD D25.3X180	FOR EG PLOUGH
20	KK353609	1	HEAD FOR 1ST FURROW ADJ.CYL	
21	KK353681	1	CYL D50/30X400+200 HS200 1.FURROW	

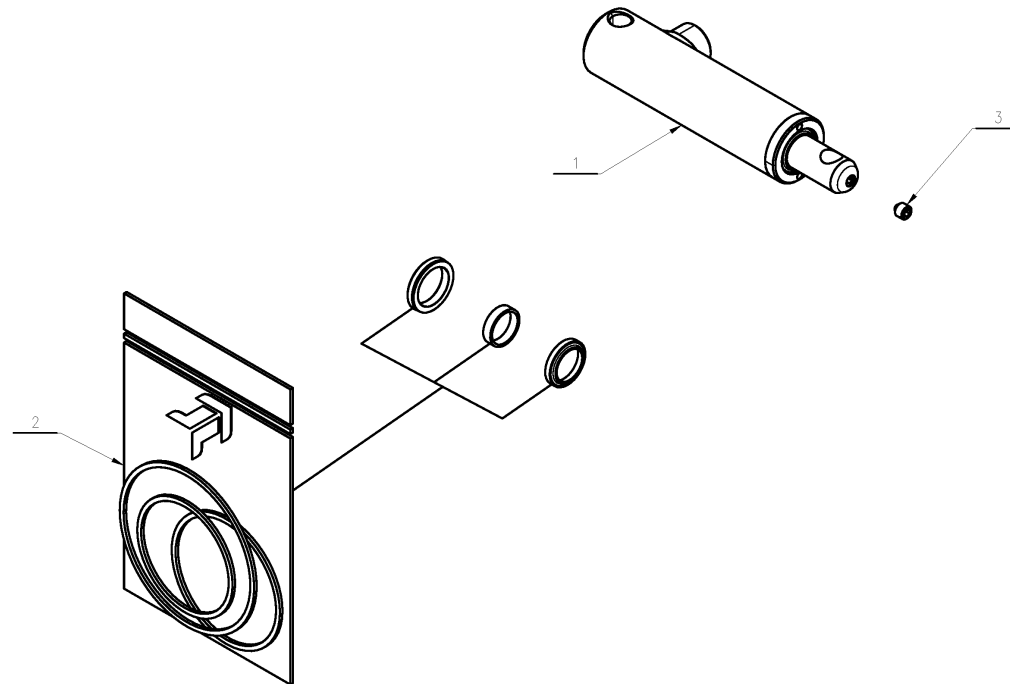


SPMKK003344

ES/LS / HYDRAULIC FILTER HS 200



PosNo.	Part No.	Qty.	Description	Remark
1	A133420994	1	FILTER FIXING	
2	A152149730	1	HOSE 3/8X500 R-SV/90-SV 2 LAYERS	
3	KK011585	1	SEAL RING R 3/8(INNER D17)	
4	KK012056	1	90 DEG MALE-FEMALE G3/8 ADAPTOR	
5	KK012261	1	COUPLING 3/8-3/8	
6	KK012707	1	BULKHEAD COUPLING 3/8 W.NUT	
7	KK013784	1	HIGH PRESSURE FILTER	
8	KK033520	1	HEX BOLT M10X20 GALV.	



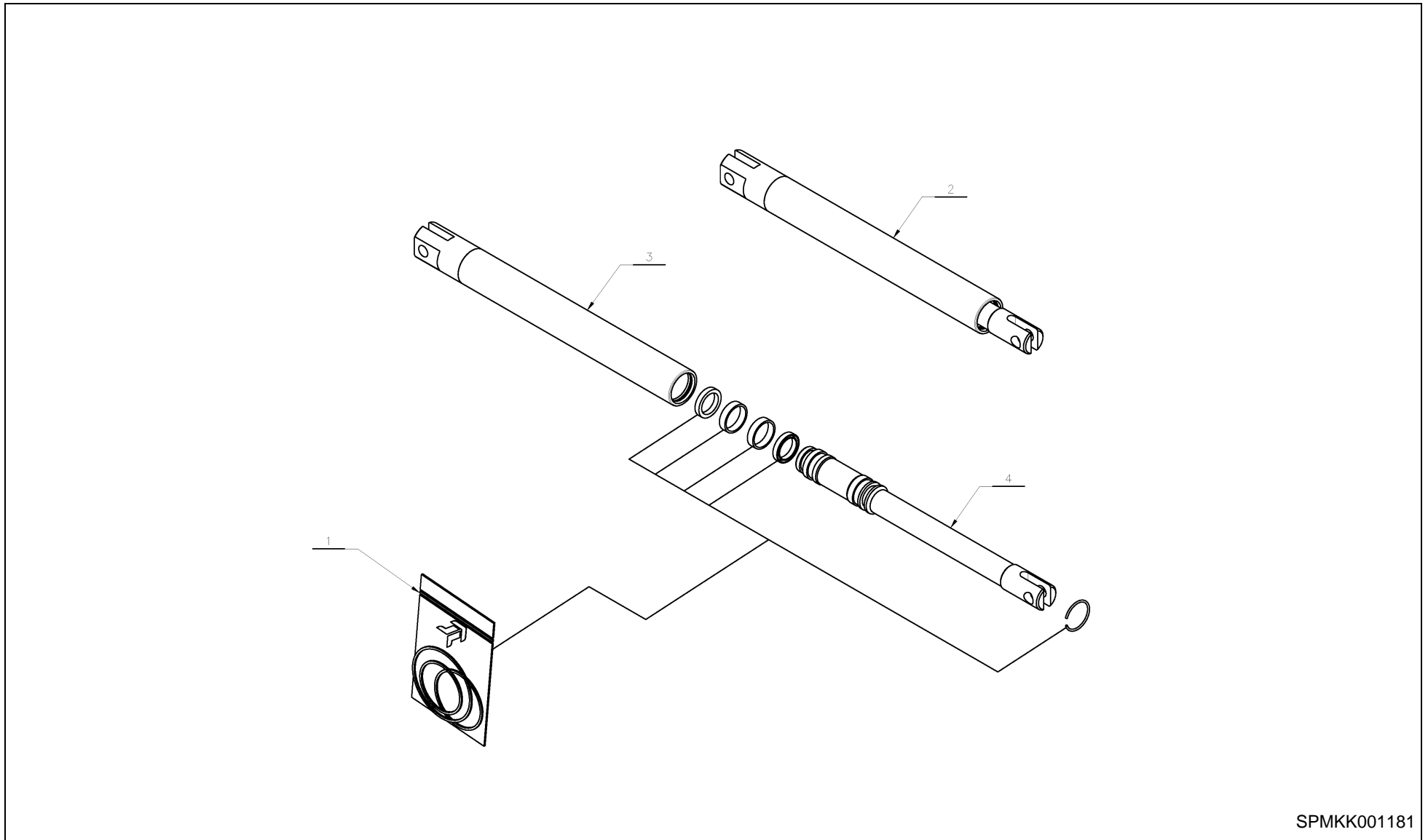
SPMKK003227

ES/LS / CYLINDER D32-D20X165+75 (A152325488)



PosNo.	Part No.	Qty.	Description	Remark
1	A152325488	1	CYLINDER D32-D20X165+75	
2	A152331530	1	SEAL KIT D32-D20 SINGLE ACTING	
3	KK032110	1	SET SCREW M8X8	

ES/LS / CYLINDER D40 - D32 X 510 + 215 (KK353907)

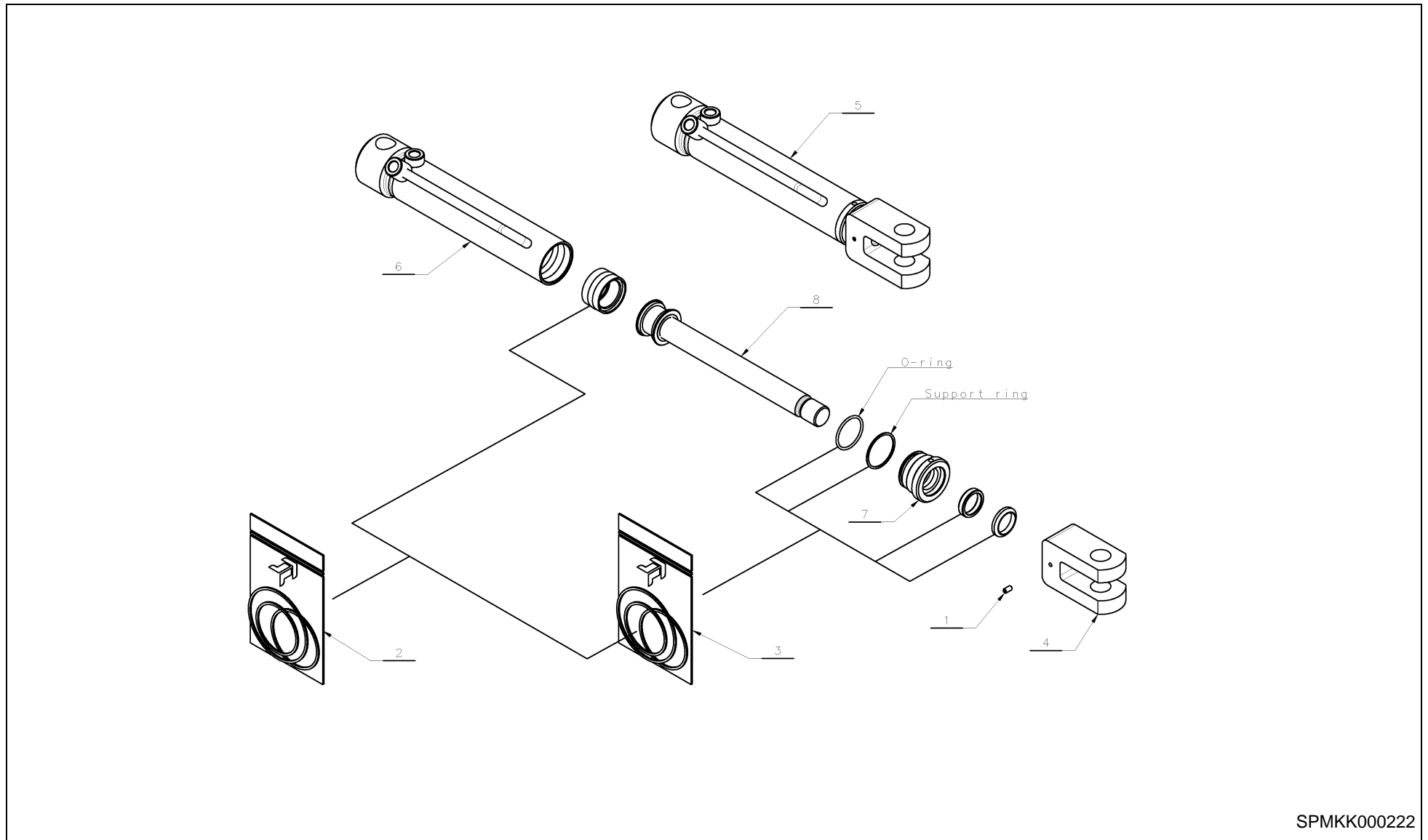


SPMKK001181

ES/LS / CYLINDER D40 - D32 X 510 + 215 (KK353907)



PosNo.	Part No.	Qty.	Description	Remark
1	KK016586	1	SEAL KIT D40	
2	KK353907	1	CYLINDER D40-D32X510+215	
3	KK353947	1	CYLINDER TUBE D40X215	
4	KK353948	1	PISTON ROD	

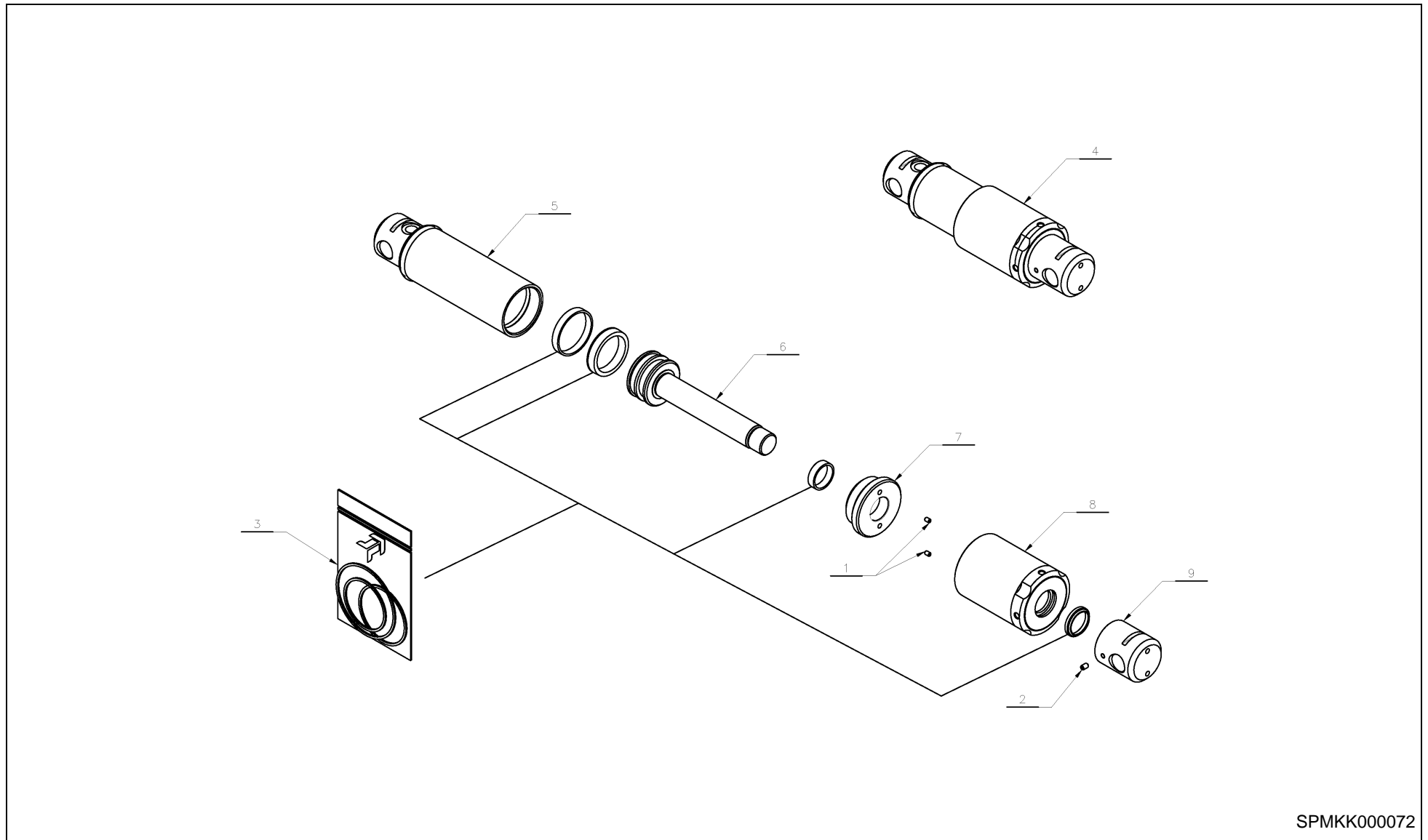


SPMKK000222

ES/LS / CYLINDER D50-D30X400+200 (KK353681)



PosNo.	Part No.	Qty.	Description	Remark
1	KG00934400	1	SET SCREW M6X12 45H	
2	KK013067	1	SEAL KIT D30-D50	
3	KK016631	1	SEALKIT FOR FRONT COVER D50-D30	
4	KK353676R	1	CLEVIS D25.5 F.1ST FURROW ADJ.CYL	
5	KK353681	1	CYL D50/30X400+200 HS200 1.FURROW	
6	KK353682R	1	CYLINDER TUBE D50	
7	KK353685R	1	ROD CAP Ø50/30 W.SEALS FOR SYL.353681	
8	KK354795R	1	PISTON ROD D30 W/PISTON D50	

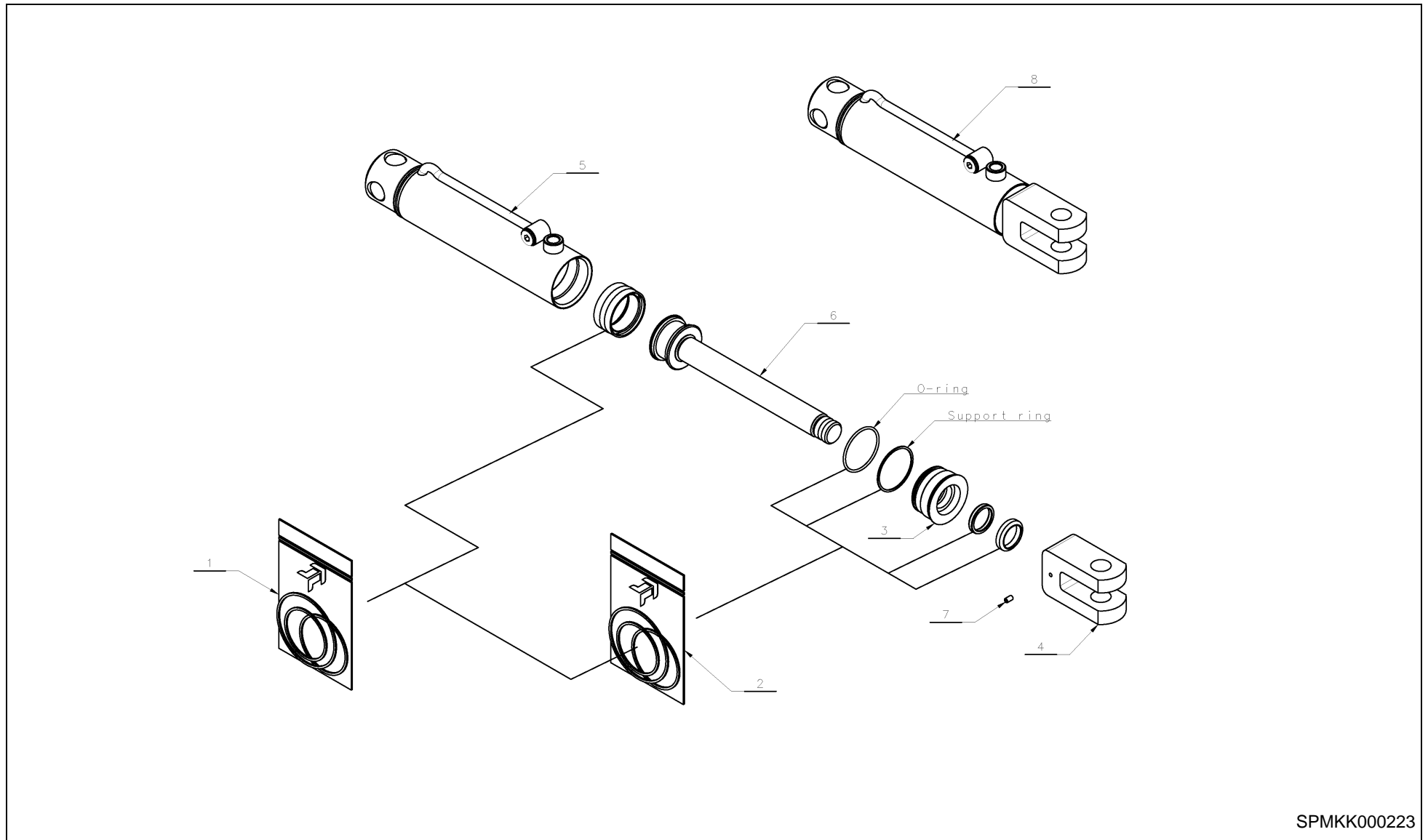


SPMKK000072

ES/LS / CYLINDER D63-D32X280+120 (KK354515)



PosNo.	Part No.	Qty.	Description	Remark
1	KG00933400	1	SET SCREW M5X8 45H	
2	KG00934300	1	SET SCREW M6X10 45H	
3	KK013627	1	SEAL KIT D63-D32	
4	KK354515	1	CYL D63/D32X280+120 HYD WHEEL	
5	KK354577R	1	CYLINDER TUBE D63X120	
6	KK354578R	1	PISTON ROD W PISTON D63-D32X120	
7	KK354579R	1	FRONT COVER D63-D32	
8	KK354580R	1	ADJ SPACER NUT	
9	KK354581R	1	ROD END	

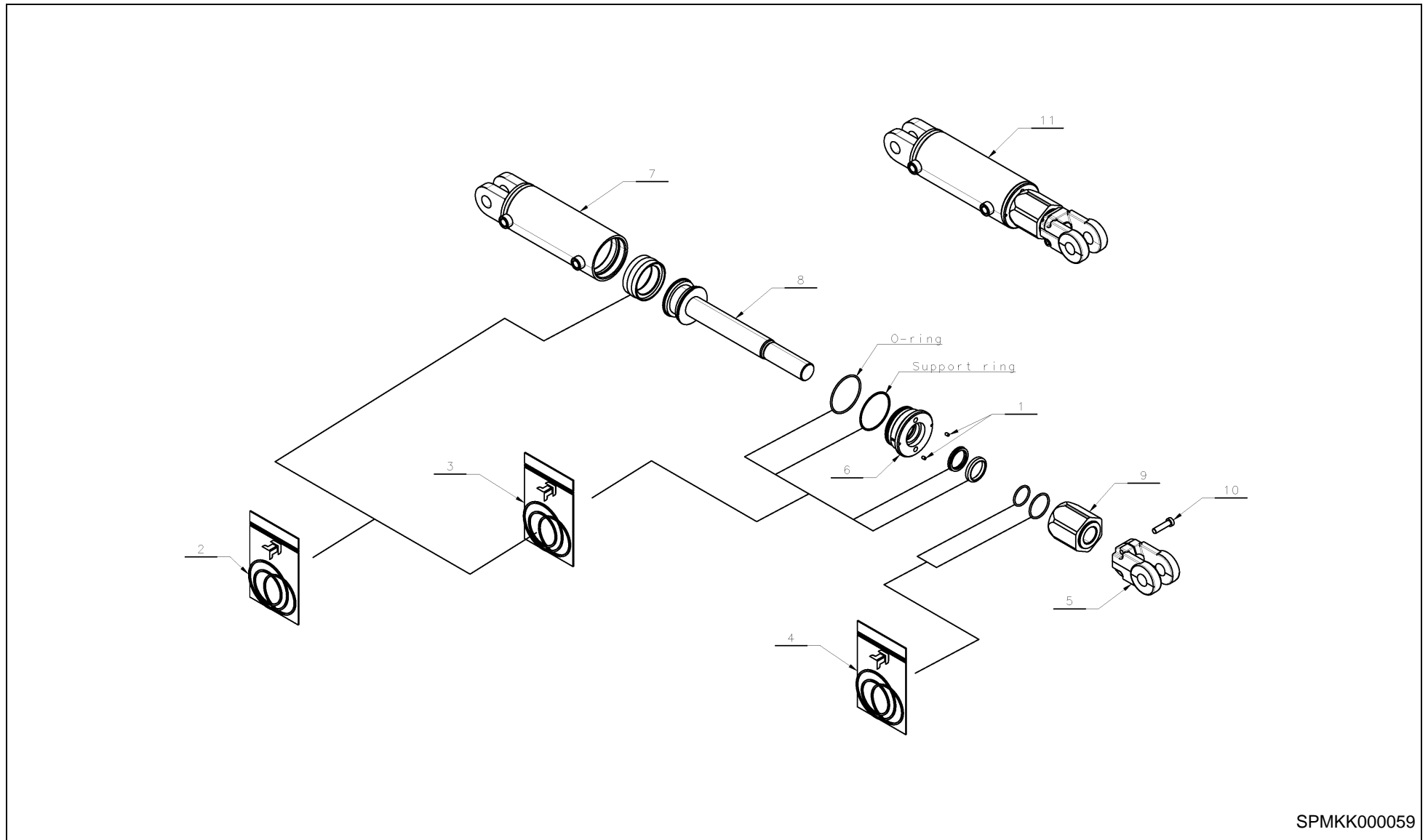


SPMKK000223

ES/LS / CYLINDER D63-D32X400+200 (KK353680)



PosNo.	Part No.	Qty.	Description	Remark
1	KK012010	1	KIT SEALS HYD. CYLINDER Ø63/32	
2	KK016630	1	SEALKIT FOR FRONT COVER D63-D32	
3	KK353670R	1	FRONT COVER D63-D32	
4	KK353676R	1	CLEVIS D25.5 F.1ST FURROW ADJ.CYL	
5	KK353687R	1	CYLINDER TUBE D63	
6	KK354796R	1	PISTON ROD D63/D32X200	
7	KK032002	1	SET SCREW HEX HOLE M6X10	
8	KK353680	1	CYL D63-D32X400+200 HS300	

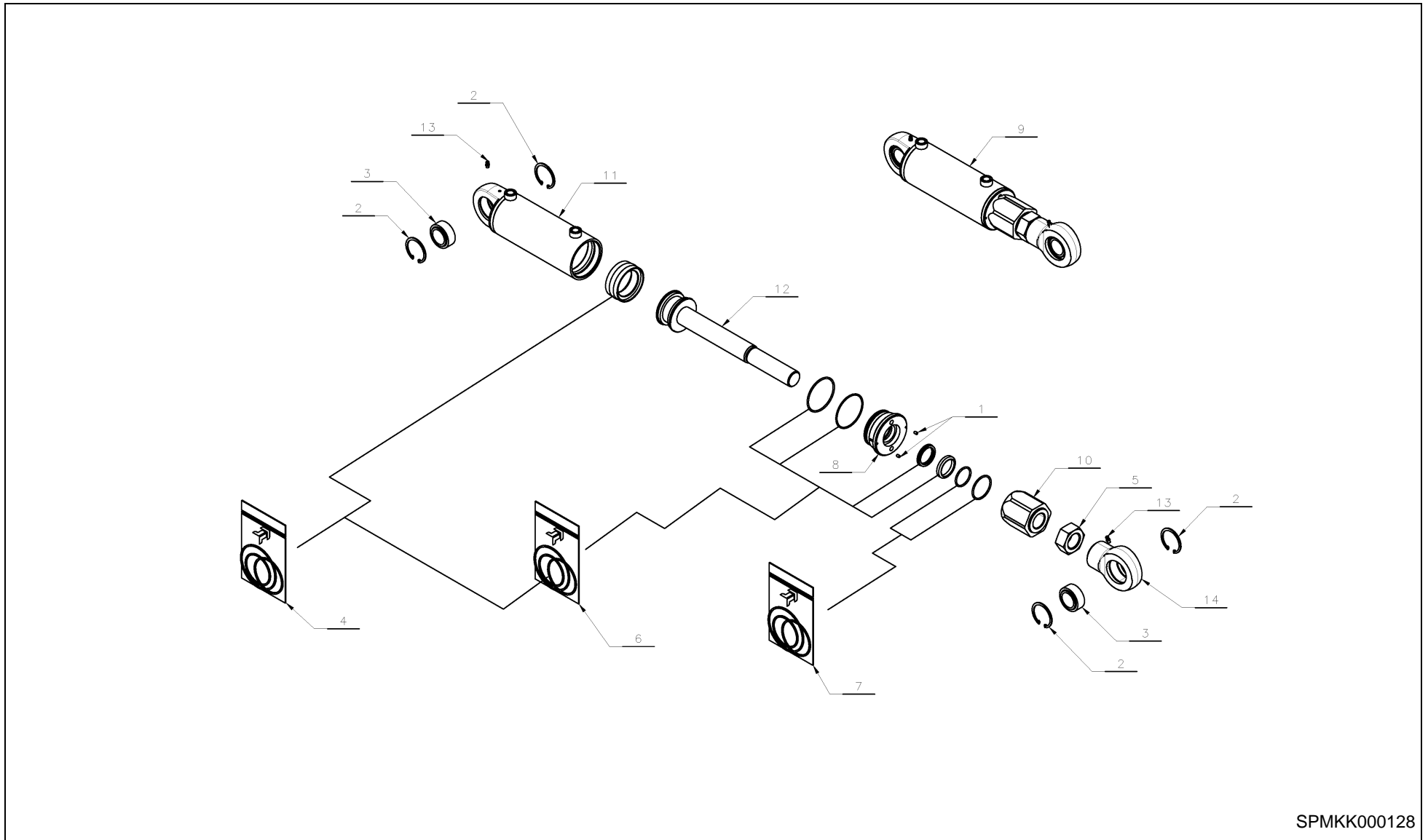


SPMKK000059

ES/LS / CYLINDER D80-D40X470+150 (KK354709)



PosNo.	Part No.	Qty.	Description	Remark
1	KG00933400	1	SET SCREW M5X8 45H	
2	KK013066	1	SEAL KIT D40-D80	
3	KK016598	1	SEALKIT FOR FRONT COVER D80-D40	
4	KK016599	1	SEALKIT FOR STOP NUT	
5	KK353585R	1	CLEVIS D25,4	
6	KK353675R	1	FRONT COVER D80-D40	
7	KK354754R	1	CYLINDER TUBE D80X150	
8	KK354755R	1	PISTON ROD W PISTON D80-D40X150	
9	KK354762R	1	STOP CPL M36X2	
10	KK032040	1	CHEESE HEAD SCREW W.INNER HEX M10X40	
11	KK354709	1	CYLINDER D80-D40X470+150	



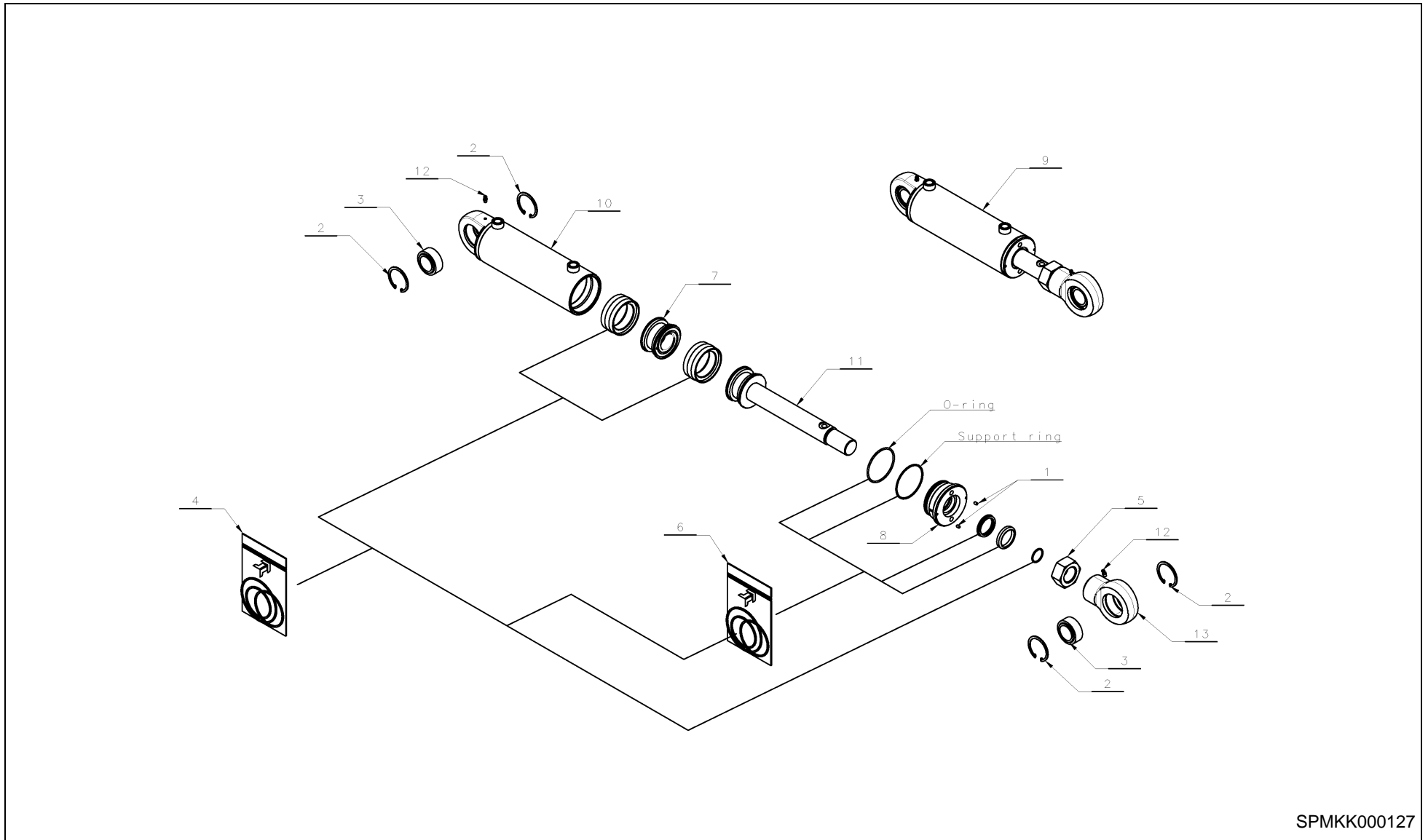
SPMKK000128

ES/LS / CYLINDER D80-D40X470+150 (KK354719)



PosNo.	Part No.	Qty.	Description	Remark
1	KG00933400	1	SET SCREW M5X8 45H	
2	KG01129300	1	CIRCLIP-B 55 X 2	
3	KK011223R	1	SPHERICAL BRG GE 35 DO	
4	KK013066	1	SEAL KIT D40-D80	
5	KK016063R	1	HEX. NUT M36X2 H25	
6	KK016598	1	SEALKIT FOR FRONT COVER D80-D40	
7	KK016599	1	SEALKIT FOR STOP NUT	
8	KK353675R	1	FRONT COVER D80-D40	
9	KK354719	1	CYL D80-D40X470+150	
10	KK354762R	1	STOP CPL M36X2	
11	KK354797R	1	CYL TUBE D80X150	
12	KK354798R	1	PISTON ROD W PISTON D80-D40X150	
13	KK029918	1	GREASE NIPPLE M6	
14	KK354751R	1	BRG HOUSING	

ES/LS / MEMORY CYLINDER D80-D40X470+150 (KK354718)

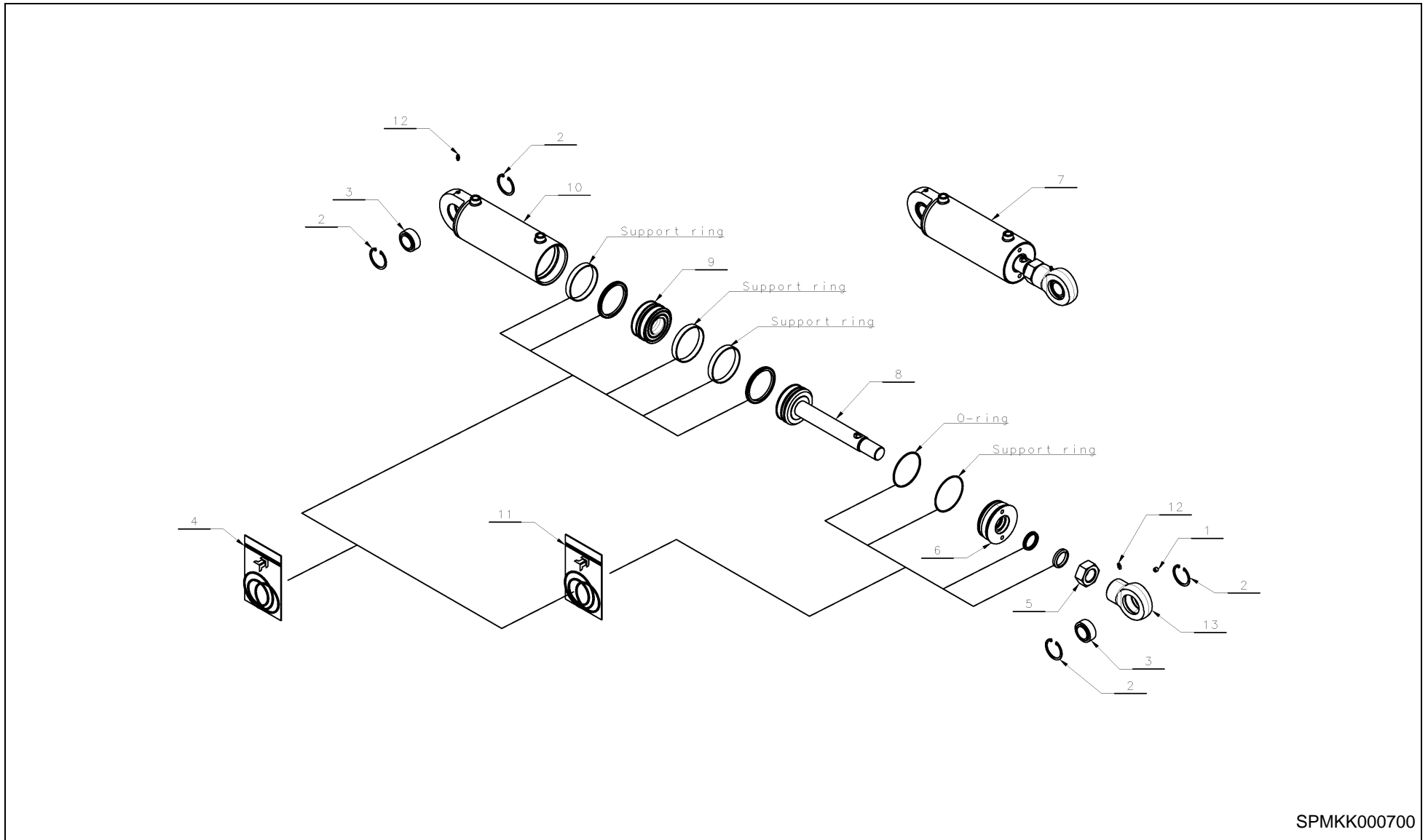


SPMKK000127

ES/LS / MEMORY CYLINDER D80-D40X470+150 (KK354718)



PosNo.	Part No.	Qty.	Description	Remark
1	KG00933400	1	SET SCREW M5X8 45H	
2	KG01129300	1	CIRCLIP-B 55 X 2	
3	KK011223R	1	SPHERICAL BRG GE 35 DO	
4	KK013082	1	SEAL KIT D40-D80	
5	KK016063R	1	HEX. NUT M36X2 H25	
6	KK016598	1	SEALKIT FOR FRONT COVER D80-D40	
7	KK353641R	1	MEMORY PISTON D80	
8	KK353675R	1	FRONT COVER D80-D40	
9	KK354718	1	MEMORYCYL D80-D40X470+150	
10	KK354793R	1	CYL TUBE D80X150	
11	KK354794R	1	PISTON ROD W PISTON D80-D40X150	
12	KK029918	1	GREASE NIPPLE M6	
13	KK354751R	1	BRG HOUSING	

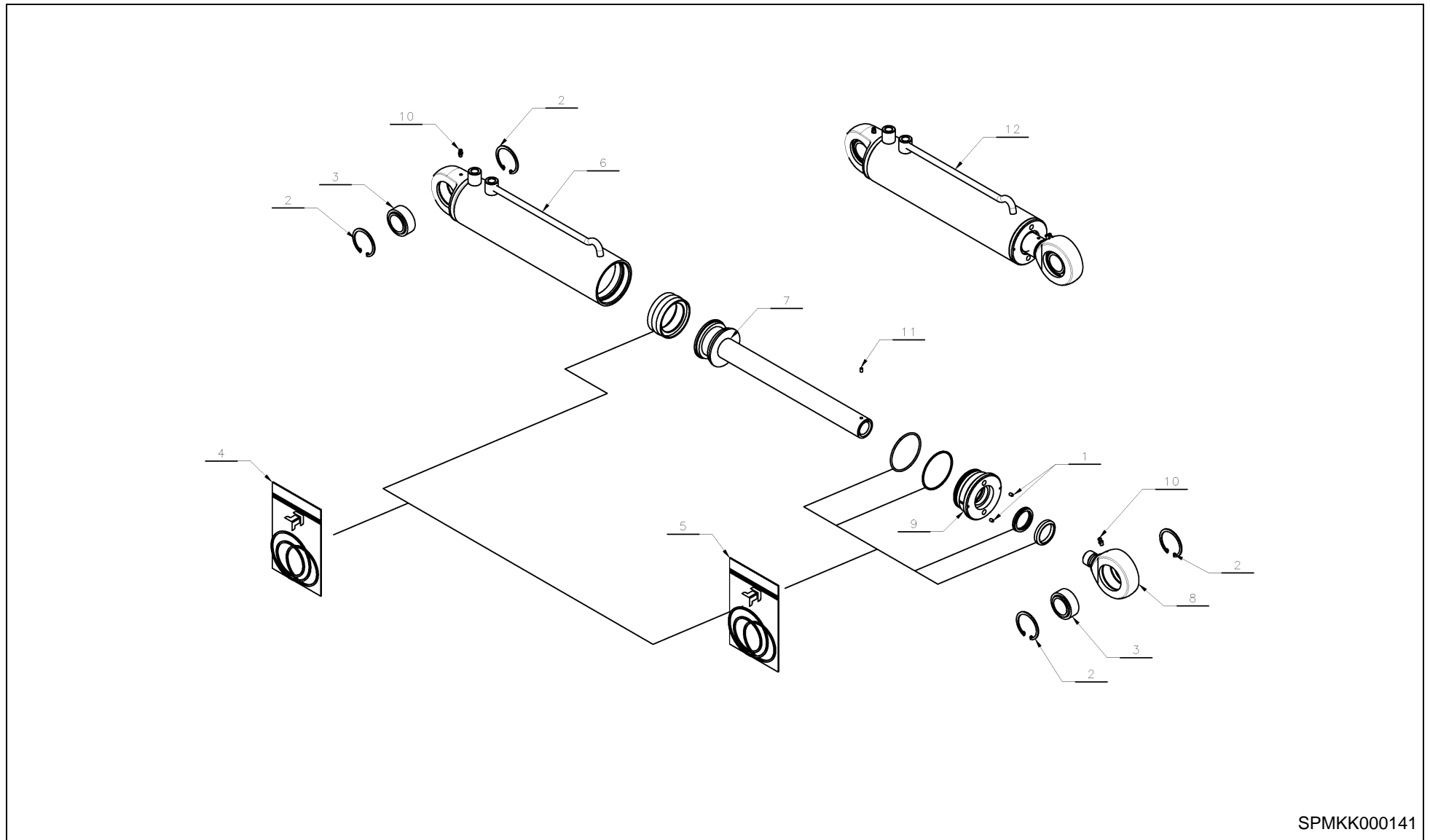


SPMKK000700

ES/LS / MEMORY CYLINDER D100-D40X470+150 (KK359026)



PosNo.	Part No.	Qty.	Description	Remark
1	KG00936400	1	SET SCREW M10X10 45H	
2	KG01129300	1	CIRCLIP-B 55 X 2	
3	KK011223R	1	SPHERICAL BRG GE 35 DO	
4	KK013863	1	SEAL KIT F MEMORY CYL. D100-D40	
5	KK016063R	1	HEX. NUT M36X2 H25	
6	KK354594R	1	END CAP D100/D40	
7	KK359026	1	MEMORY CYLINDER D100-D40X470+150	
8	KK359083R	1	PISTON W PISTONROD D100-D40X150	
9	KK359087R	1	MEMORY PISTON	
10	KK359090R	1	CYLINDER TUBE D100X150	
11	KK016616	1	SEAL KIT FRONT COVER D100-D40	
12	KK029918	1	GREASE NIPPLE M6	
13	KK354751R	1	BRG HOUSING	

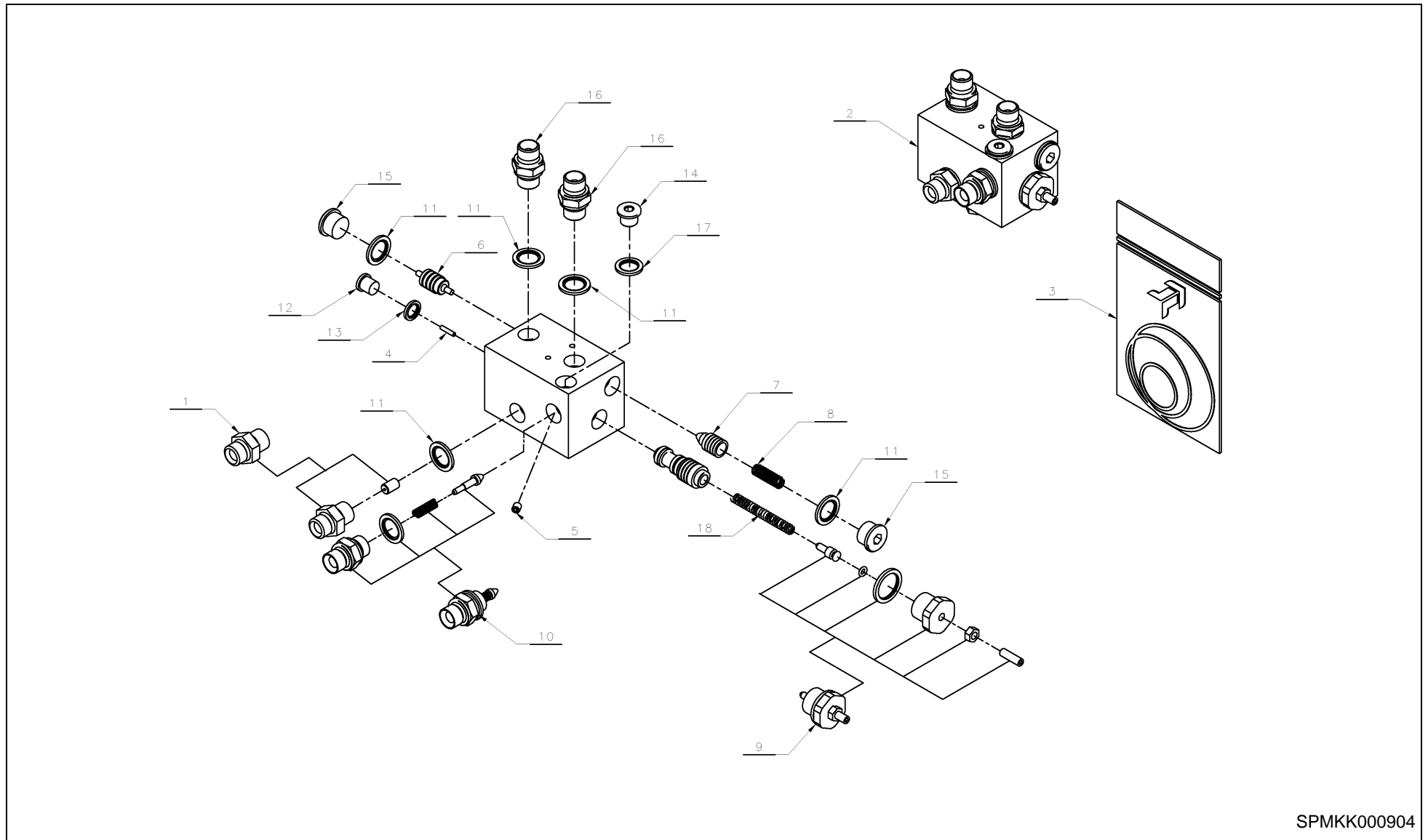


SPMKK000141

ES/LS / CYLINDER D80-D40X520+300 (KK353664)



PosNo.	Part No.	Qty.	Description	Remark
1	KG00933400	1	SET SCREW M5X8 45H	
2	KG01129300	1	CIRCLIP-B 55 X 2	
3	KK011223R	1	SPHERICAL BRG GE 35 DO	
4	KK013066	1	SEAL KIT D40-D80	
5	KK016598	1	SEALKIT FOR FRONT COVER D80-D40	
6	KK353671R	1	CYLINDER TUBE CPL. D95/80	
7	KK353672R	1	PISTONROD WITH PISTON	
8	KK353673R	1	ROD HEAD WITHOUT SPHERICAL BRG	
9	KK353675R	1	FRONT COVER D80-D40	
10	KK029918	1	GREASE NIPPLE M6	
11	KK032001	1	SET SCREW HEX HOLE M6X6	
12	KK353664	1	TURNOVER CYL HS200 D80-D40X520+300	

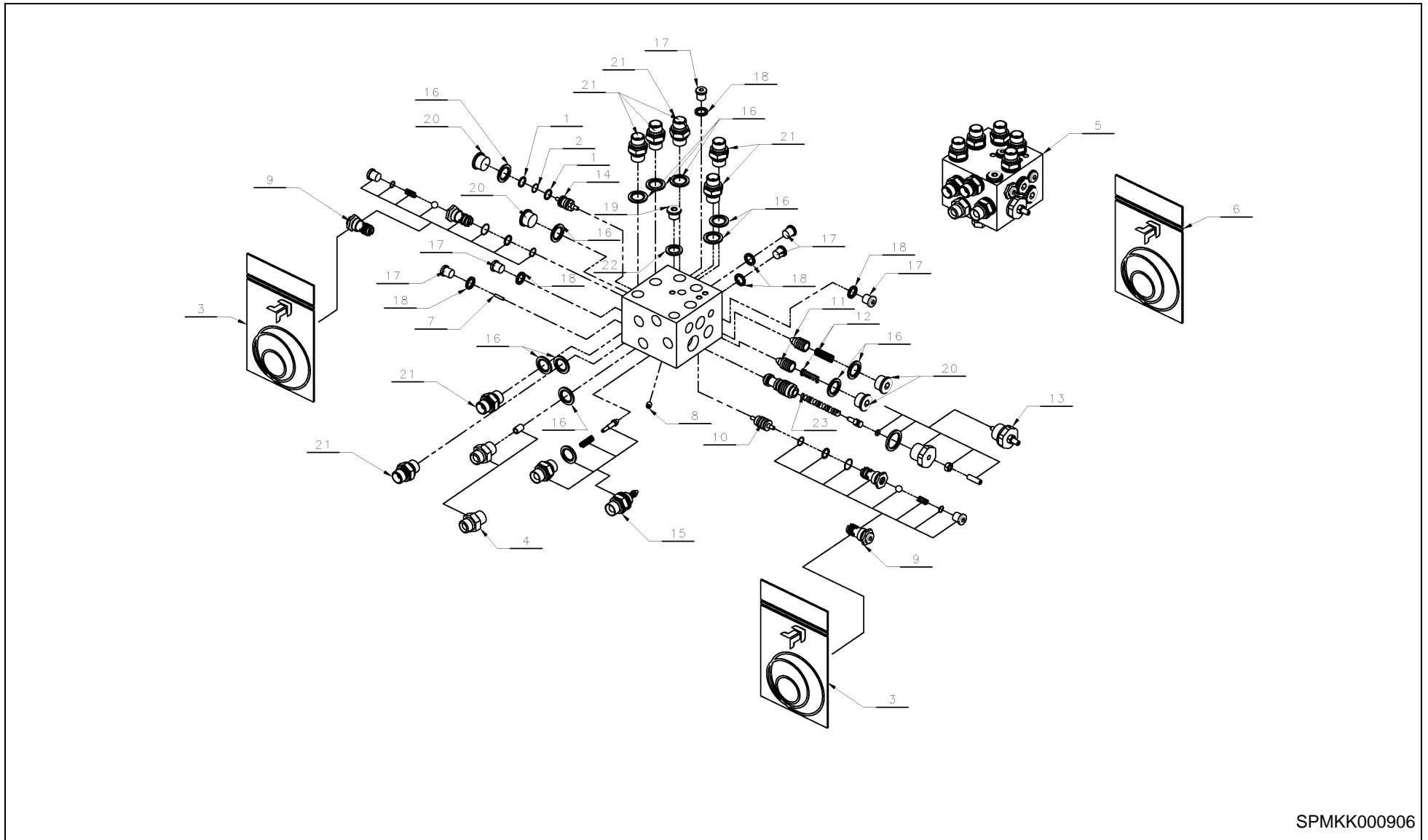


SPMKK000904

ES/LS / TURNOVER VALVE KK012740



PosNo.	Part No.	Qty.	Description	Remark
1	KK012343	1	CUPLIN 3/8-3/8 W/RESTRICTOR 2MM	
2	KK012740R	1	TURNOVERVALVE G3/8	
3	KK013645	1	REP-KIT FOR VALVES KK012740-41-42-43	
4	KK352760	1	NEEDLE PIN D3X13.8	
5	KK353319	1	RESTRICTOR M6X6 WITH D 0,6 ORIFICE	
6	KK353394R	1	PILOT PISTON (BM114585)	
7	KK353395	1	CHECK VALVE	
8	KK353396	1	PRESSURE SPRING 1X8X26.1	
9	KK353613R	1	SWITCH-OVER PRESSURE ADJUST CPL.	
10	KK354650	1	BACK PRESSURE VALVE	
11	KK011585	1	SEAL RING R 3/8(INNER D17)	
12	KK012063	1	PLUGG R1/8" MED INNV. 6KT.	
13	KK012064	1	SEAL RING R1/8 "	
14	KK012095	1	PLUG	
15	KK012122	1	PLUG	
16	KK012261	1	COUPLING 3/8-3/8	
17	KK012269	1	SEAL RING R1/4(INNER D13)	
18	KK353476	1	SPRING 1.25XDM6.3X60	

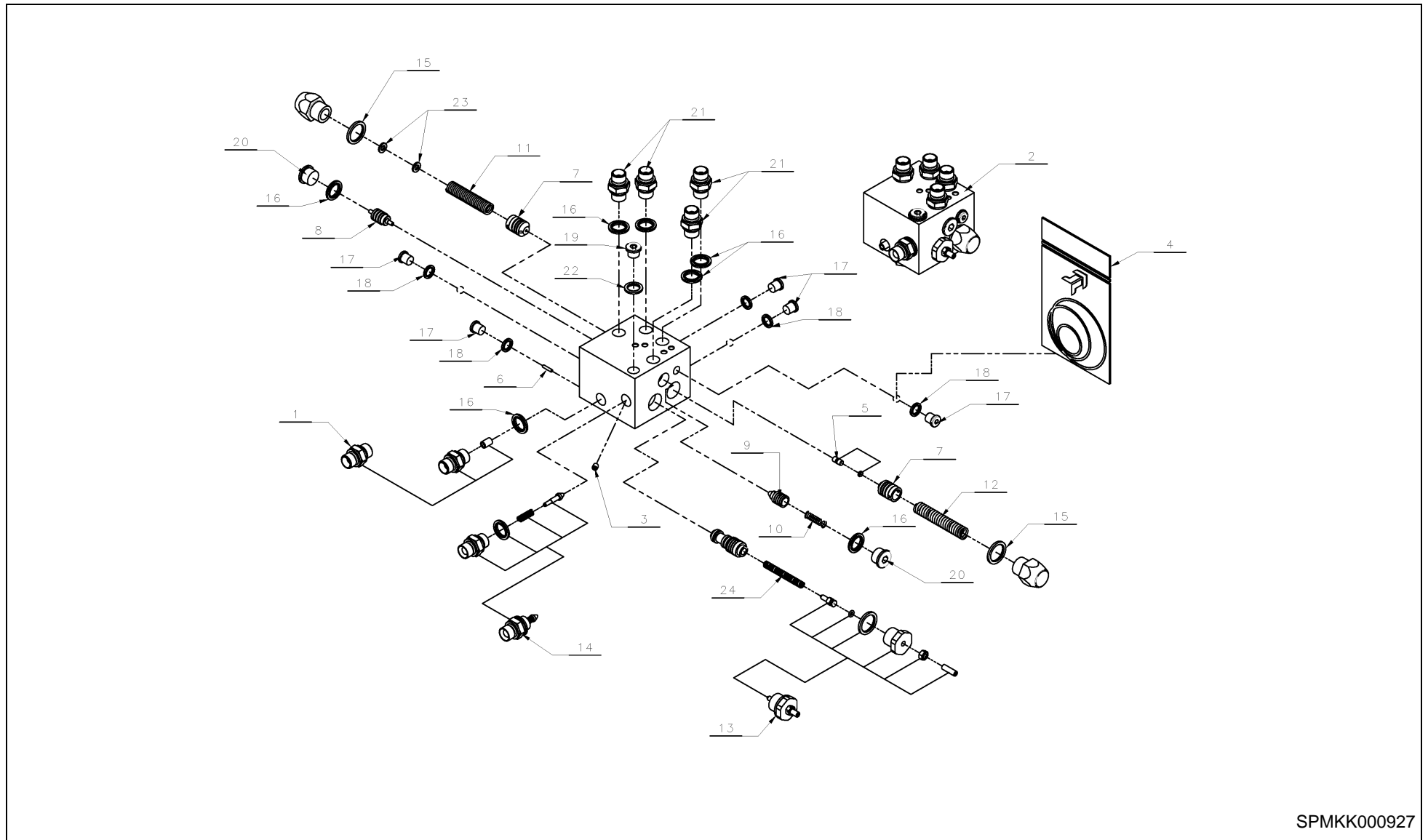


SPMKK000906

ES/LS / MEMORY VALVE KK012741



PosNo.	Part No.	Qty.	Description	Remark
1	KK011775	1	RING 8-013-N300-90 BM446012	
2	KK011776	1	O-RING 10.82X1.78 (BM420101)	
3	KK012014	1	REP.KIT FOR VALVES KK012740-41-42-43	
4	KK012343	1	CUPLIN 3/8-3/8 W/RESTRICTOR 2MM	
5	KK012741R	1	MEMORY VALVE	
6	KK013645	1	REP-KIT FOR VALVES KK012740-41-42-43	
7	KK352760	1	NEEDLE PIN D3X13.8	
8	KK353319	1	RESTRICTOR M6X6 WITH D 0,6 ORIFICE	
9	KK353390	1	LOCK VALVE CARTRIDGE	
10	KK353394R	1	PILOT PISTON (BM114585)	
11	KK353395	1	CHECK VALVE	
12	KK353396	1	PRESSURE SPRING 1X8X26.1	
13	KK353613R	1	SWITCH-OVER PRESSURE ADJUST CPL.	
14	KK353623	1	PILOT PISTON W/GASKET FOR KK012741	
15	KK354650	1	BACK PRESSURE VALVE	
16	KK011585	1	SEAL RING R 3/8(INNER D17)	
17	KK012063	1	PLUGG R1/8" MED INN. 6KT.	
18	KK012064	1	SEAL RING R1/8 "	
19	KK012095	1	PLUG	
20	KK012122	1	PLUG	
21	KK012261	1	COUPLING 3/8-3/8	
22	KK012269	1	SEAL RING R1/4(INNER D13)	
23	KK353476	1	SPRING 1.25XDM6.3X60	

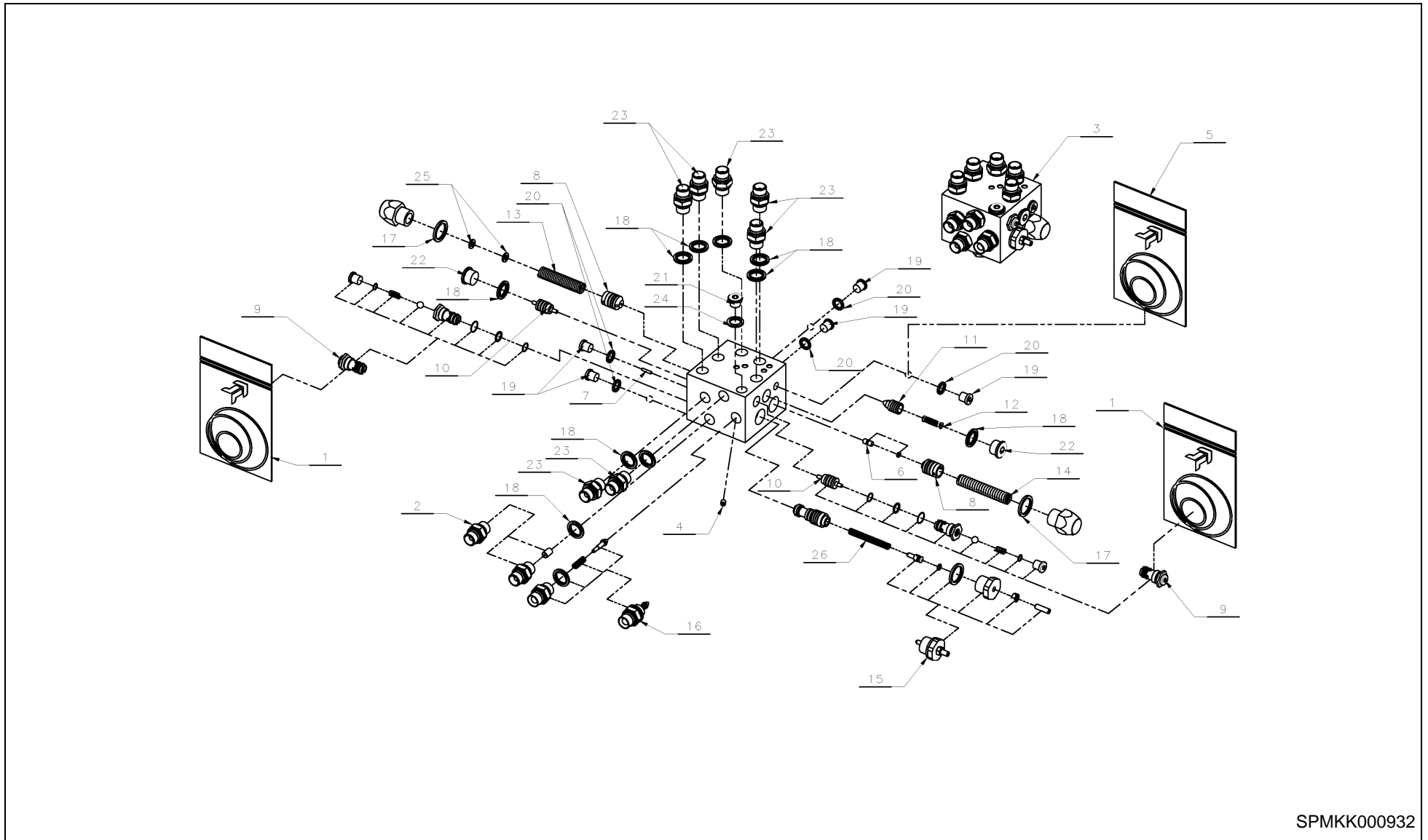


SPMKK000927

ES/LS / SEQUENCE VALVE KK012742



PosNo.	Part No.	Qty.	Description	Remark
1	KK012343	1	CUPLIN 3/8-3/8 W/RESTRICTOR 2MM	
2	KK012742R	1	SEQ. VALVE G3/8"	
3	KK013551	1	RESTRICTOR Ø0.8-M6X6 (BM114113)	
4	KK013645	1	REP-KIT FOR VALVES KK012740-41-42-43	
5	KK352758	1	PILOT PISTON W/SEAL RING (BM114621)	
6	KK352760	1	NEEDLE PIN D3X13.8	
7	KK352776	1	SEQUENCE PLUNGER	
8	KK353394R	1	PILOT PISTON (BM114585)	
9	KK353395	1	CHECK VALVE	
10	KK353396	1	PRESSURE SPRING 1X8X26.1	
11	KK353611	1	SPRING FOR SEQUENCE FUNCTION	
12	KK353612	1	SEQUENCE SPRING 12.5X76	
13	KK353613R	1	SWITCH-OVER PRESSURE ADJUST CPL.	
14	KK354650	1	BACK PRESSURE VALVE	
15	KK011565	1	SEAL RING R 1/2 (INNER D21)	
16	KK011585	1	SEAL RING R 3/8(INNER D17)	
17	KK012063	1	PLUGG R1/8" MED INNV. 6KT.	
18	KK012064	1	SEAL RING R1/8 "	
19	KK012095	1	PLUG	
20	KK012122	1	PLUG	
21	KK012261	1	COUPLING 3/8-3/8	
22	KK012269	1	SEAL RING R1/4(INNER D13)	
23	KK012988	1	WASHER D6.4XD12X1.6	
24	KK353476	1	SPRING 1.25XDM6.3X60	



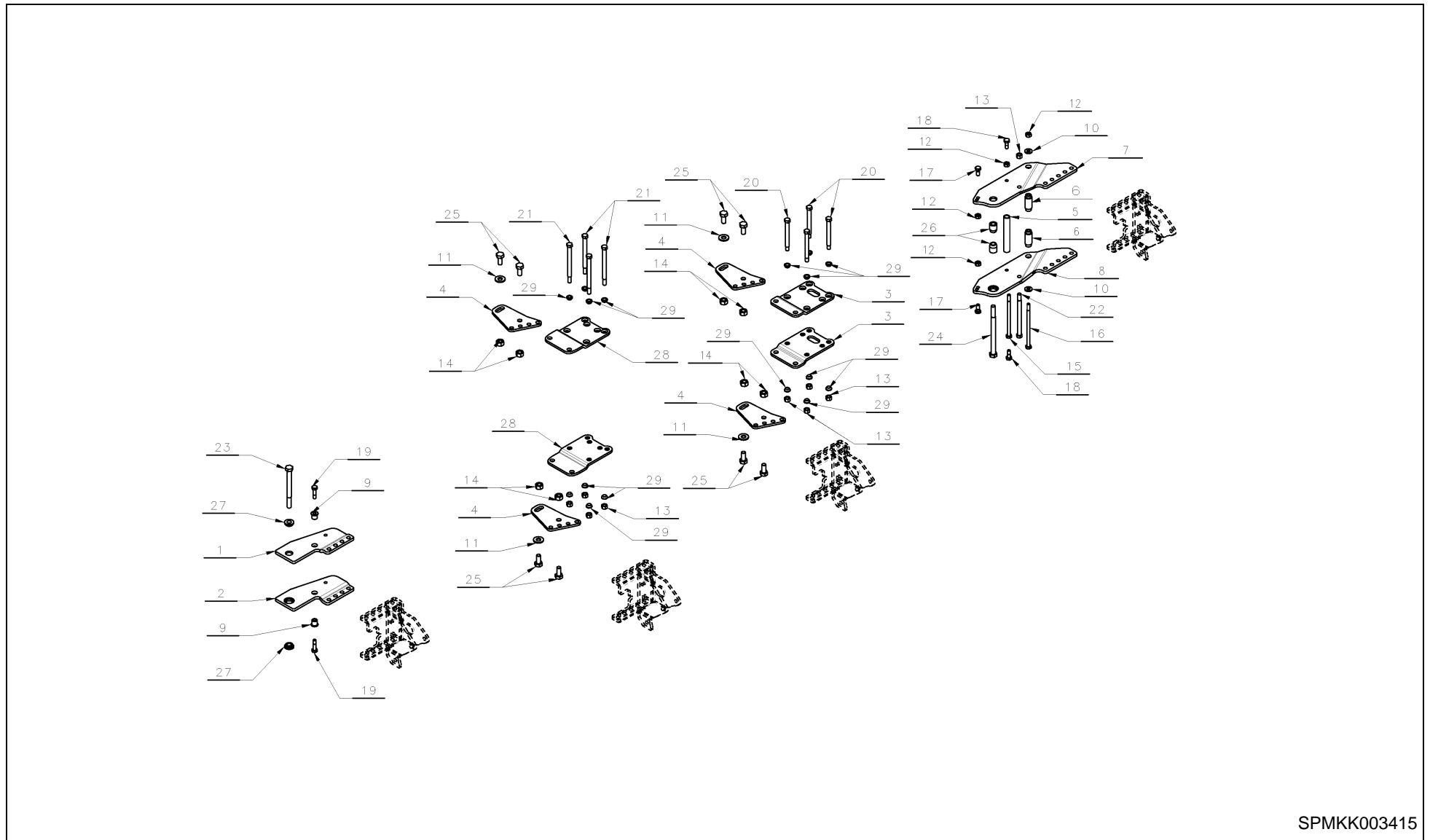
SPMKK000932

ES/LS / SEQUENCE-MEMORY VALVE KK012743



PosNo.	Part No.	Qty.	Description	Remark
1	KK012014	1	REP.KIT FOR VALVES KK012740-41-42-43	
2	KK012343	1	CUPLIN 3/8-3/8 W/RESTRICTOR 2MM	
3	KK012743R	1	SEQ/ MEMORY VALVE G3/8*BM BODIES OVER	
4	KK013551	1	RESTRICTOR Ø0.8-M6X6 (BM114113)	
5	KK013645	1	REP-KIT FOR VALVES KK012740-41-42-43	
6	KK352758	1	PILOT PISTON W/SEAL RING (BM114621)	
7	KK352760	1	NEEDLE PIN D3X13.8	
8	KK352776	1	SEQUENCE PLUNGER	
9	KK353390	1	LOCK VALVE CARTRIDGE	
10	KK353394R	1	PILOT PISTON (BM114585)	
11	KK353395	1	CHECK VALVE	
12	KK353396	1	PRESSURE SPRING 1X8X26.1	
13	KK353611	1	SPRING FOR SEQUENCE FUNCTION	
14	KK353612	1	SEQUENCE SPRING 12.5X76	
15	KK353613R	1	SWITCH-OVER PRESSURE ADJUST CPL.	
16	KK354650	1	BACK PRESSURE VALVE	
17	KK011565	1	SEAL RING R 1/2 (INNER D21)	
18	KK011585	1	SEAL RING R 3/8(INNER D17)	
19	KK012063	1	PLUGG R1/8" MED INNV. 6KT.	
20	KK012064	1	SEAL RING R1/8 "	
21	KK012095	1	PLUG	
22	KK012122	1	PLUG	
23	KK012261	1	COUPLING 3/8-3/8	
24	KK012269	1	SEAL RING R1/4(INNER D13)	
25	KK012988	1	WASHER D6.4XD12X1.6	
26	KK353476	1	SPRING 1.25XDM6.3X60	

ES/LS / DEPTH WHEEL FRAME MOUNTED

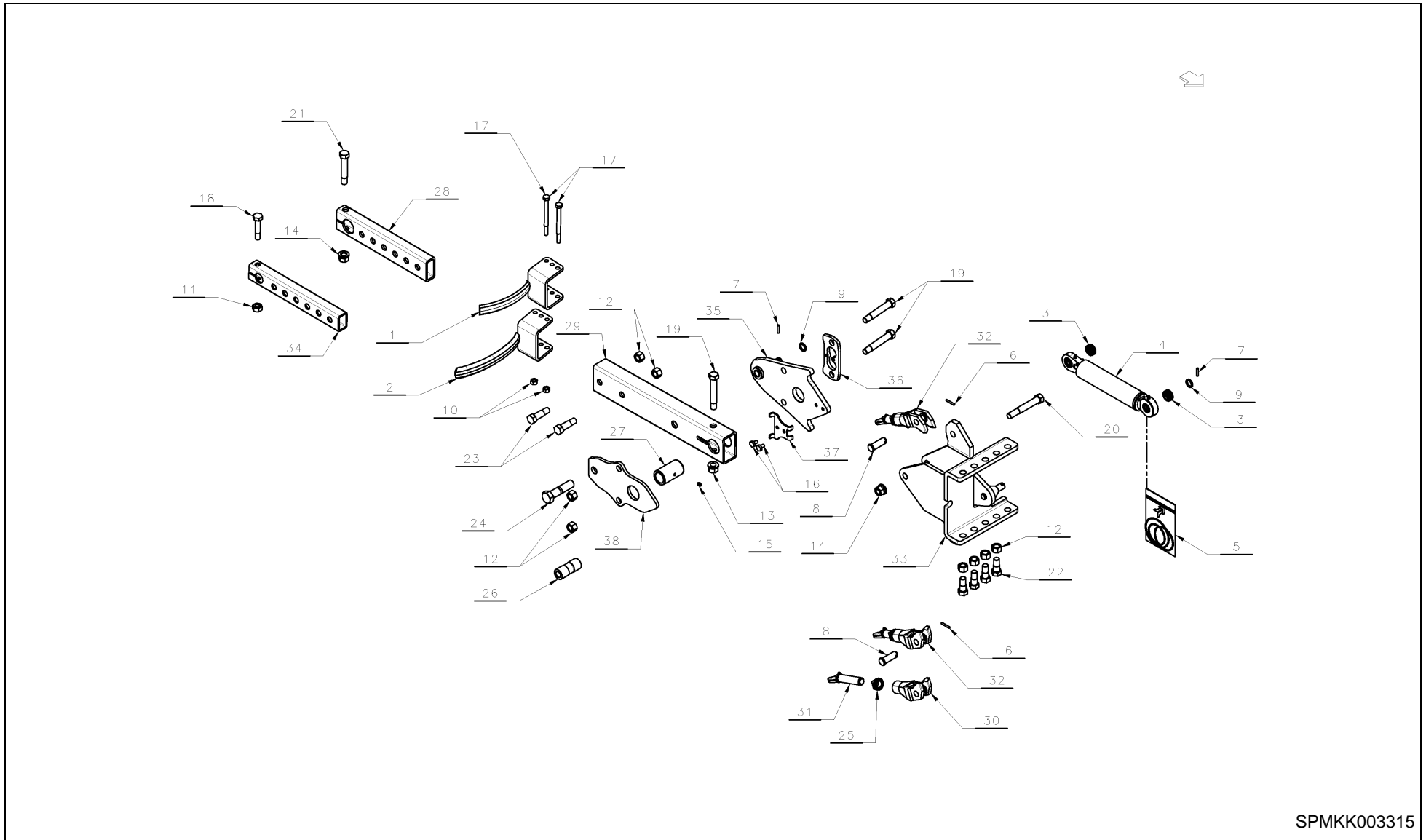


SPMKK003415

ES/LS / DEPTH WHEEL FRAME MOUNTED

PosNo.	Part No.	Qty.	Description	Remark
1	A133334788	1	PLATE WHEEL BRACKET UPPER	ES/LS
2	A133334888	1	PLATE WHEEL BRACKET LOWER	ES/LS
3	A133334988	1	PLATE BENDED WHEEL BRACKET	150 B/150 S
4	A133335088	1	PLATE WHEEL BRACKET	
5	A152403788	1	BUSHING D25,6-D33,7	
6	A152404288	1	BUSHING D38XD16X98	
7	A152404388	1	PLATE UPPER	
8	A152404488	1	PLATE LOWER	
9	KK011614	1	BUSHING W/FLANGE 16X30X28-D30/28	
10	KK012922	1	WASHER D17-D40X4.58	
11	KK012940	1	WASHER D25.4-D55X4.58	
12	KK015825	1	M16 NUT	
13	KK015830	1	NUT M20	
14	KK015841	1	NUT M24 GALV.	
15	KK032714	1	HEX BOLT M16 X 270	
16	KK032728	1	HEX BOLT M16X280 10.9	
17	KK032740	1	HEX BOLT M16X40 10.9	
18	KK032745	1	HEX BOLT M16X45 10.9 WITH WAX	
19	KK032765	1	HEX BOLT M16X65 10.9 W/WAX	
20	KK032822	1	HEX BOLT M20X190 THREAD L=25	
21	KK032836	1	HEX BOLT M20X240 10.9	
22	KK032842	1	HEX BOLT M20X270 10.9	
23	KK032925	1	HEX BOLT M24X250 10.9	
24	KK032943	1	HEX SCREW M24X315	
25	KK032950	1	HEX BOLT M24X50 10.9	
26	KK071413	1	BUSHING D24.2-D40X47	
27	KK085437	1	BUSHING 24X40-9.5 W FLANGE 50X5	
28	KK085438	1	PLATE FOR WHEELSUPPORT 120	ED/LD
29	KK301223	1	CONE D20.5-D32X12	

ES/LS / WHEEL FRAME AND REAR MOUNTED

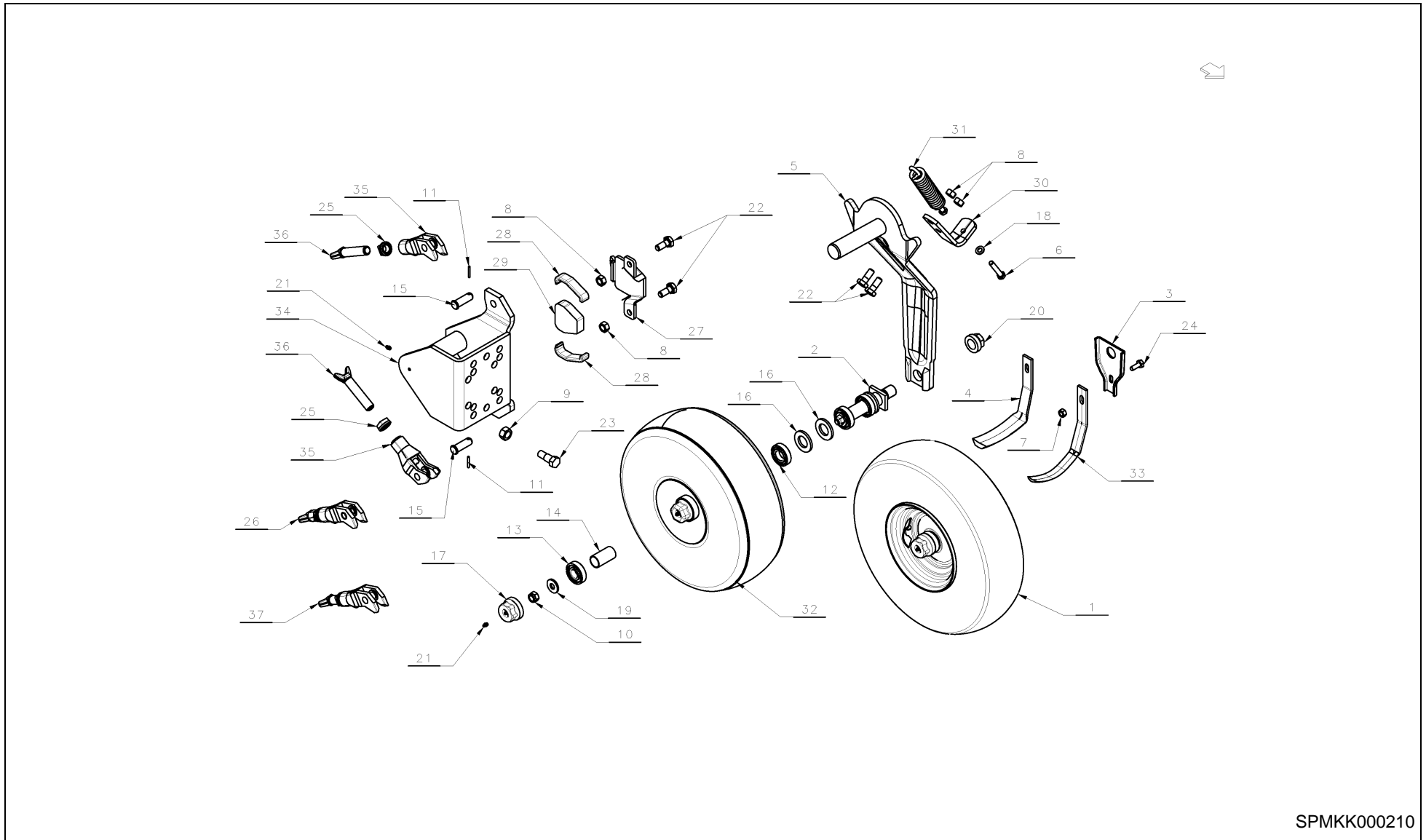


SPMKK003315

ES/LS / WHEEL FRAME AND REAR MOUNTED

PosNo.	Part No.	Qty.	Description	Remark
1	A133333288	1	SCRAPER 200 X 14,5 WELDED	
2	A133333388	1	SCRAPER ON 320/60-12TT WELDED	
3	A133890201	1	SPHERICAL BEARING GE-20-D0	
4	A152426588	1	SHOCK ABSORBER D50-D20X350+100	
5	A152426630	1	SEAL KIT D50-D20	
6	KG01188162	1	TENSION PIN 5X36	
7	KG01189400	1	TENSION PIN 6X30	
8	KK010260	1	BOLT W/HEAD D20 X 53.5 HOLE D5	
9	KK012931	1	WASHER D20.5-D28X3.4	
10	KK015817	1	NUT M12 GALV.	
11	KK015825	1	M16 NUT	
12	KK015830	1	NUT M20	
13	KK016012	1	FLANGE NUT M20	
14	KK016049	1	FLANGE NUT M20 WITH LOCK	
15	KK029920	1	GREASE NIPPLE M8X1 STRAIGHT	
16	KK031416	1	BOLT	
17	KK032607	1	HEX SCREW M12 X140	
18	KK032780	1	HEX BOLT M16X80 10.9 W/WAX	
19	KK032805	1	HEX BOLT M20X120 10.9	
20	KK032811	1	HEX BOLT M20X130 10.9	
21	KK032824	1	HEX BOLT M20X105 10.9	
22	KK032845	1	HEX BOLT M20X45 10.9	
23	KK032865	1	HEX BOLT M20X65 10.9	
24	KK032900	1	HEX BOLT M24X10010.9	
25	KK061899	1	COUNTER NUT M24	
26	KK085467R	1	BUSHING D35-D20	
27	KK085468R	1	BUSHING D50-D35	
28	KK085482R	1	LEG 80X40 FOR WHEEL ARM	
29	KK085490R	1	WHEEL ARME 100X60	
30	KK088062	1	STOP FOR DEPTH WHEEL M24	
31	KK088063	1	IMPACT BOLT DEPTH WHEEL M24	
32	KK088064	1	CLEVIS CPL. M24	
33	KK089420R	1	WHEEL SUPPORT FRAME MOUNTED	
34	KK089425	1	LEG 60X40 FOR WHEEL ARM	
35	KK089434R	1	CAM DISC PLATE WELDED	
36	KK089436R	1	LOCK PLATE	
37	KK089437R	1	PAL LIFTER	
38	KK089439R	1	SUPPORT PLATE	

ES/LS / DEPTH WHEEL WITH PLATE ARM

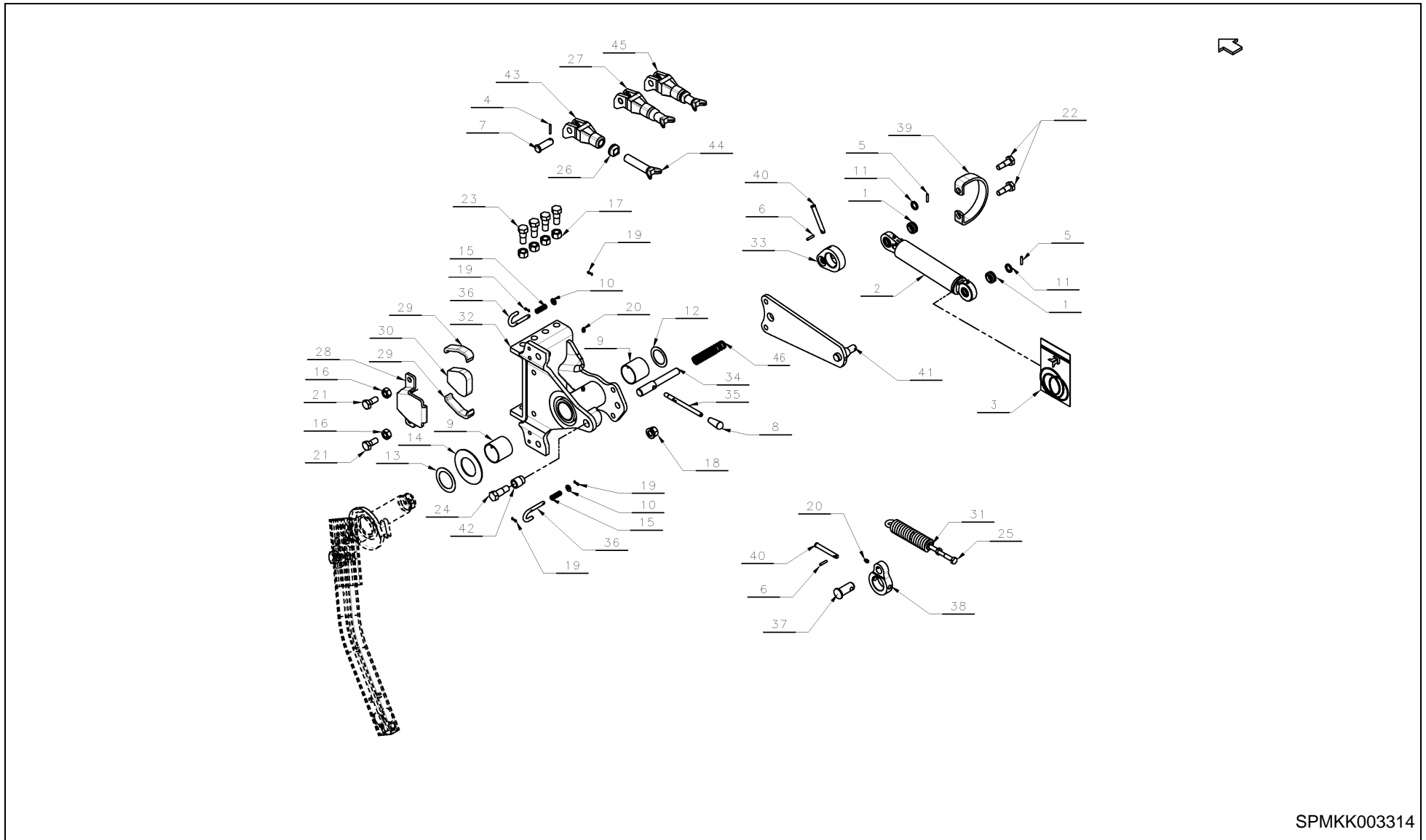


SPMKK000210

ES/LS / DEPTH WHEEL WITH PLATE ARM

PosNo.	Part No.	Qty.	Description	Remark
1	A133337530	1	WHEEL 6.00X9 W/AXLE	
2	A133340730	1	AXLE KIT FOR WHEEL 6.00X9	
3	A133554588	1	BRACKET FOR SCRAPER	
4	A133560888	1	SCRAPER STEEL WHEEL 165X500	
5	A152559388	1	DEPTH WHEEL ARM	
6	KG00477361	1	HEX. SCREW M12X70 8.8	
7	KG01050561	1	HEX. NUT M12 10	
8	KG01050761	1	HEX. NUT M16 10	
9	KG01050961	1	HEX. NUT M20 10	
10	KG01067961	1	LOCK NUT M16 8	
11	KG01188162	1	TENSION PIN 5X36	
12	KG01477300	1	BALL BEARING 6206 C3	
13	KG01490200	1	BALL BEARING 6305 C3	
14	KK010096	1	SPACING TUBE D35/31X L=64.2	
15	KK010260	1	BOLT W/HEAD D20 X 53.5 HOLE D5	
16	KK010806R	1	Z-LAMELL	
17	KK011167	1	HUB CAP 62 MM W.NIPPLE	
18	KK012919	1	WASHER D13.0XD24.0X2.50	
19	KK012922	1	WASHER D17-D40X4.58	
20	KK016022	1	FLANGE NUT M30 10 KEY36	
21	KK029920	1	GREASE NIPPLE M8X1 STRAIGHT	
22	KK032740	1	HEX BOLT M16X40 10.9	
23	KK032850	1	HEX BOLT M20X50 10.9	
24	KK033630	1	HEX BOLT M12X30 GALV.	
25	KK061899	1	COUNTER NUT M24	
26	KK064058R	1	STOP FOR D.WHEEL CPL W/BUSHING COMPET.	
27	KK064078R	1	BRACKET FOR DAMPER PIECE	
28	KK064086R	1	GUARD DAMPER PIECE	
29	KK064087R	1	ABSORBER	
30	KK064088	1	SPRING RETAINER FOR DEPTH WHEEL	
31	KK064089R	1	SPRING	
32	KK070459	1	WHEEL W/AXEL /BRG CPL.	
33	KK071729	1	SCRAPER RUBBER WHEEL	
34	KK084602R	1	WHEEL HOLDER	
35	KK088062	1	STOP FOR DEPTH WHEEL M24	
36	KK088063	1	IMPACT BOLT DEPTH WHEEL M24	
37	KK088064	1	CLEVIS CPL. M24	

ES/LS / WHEEL 99 REAR MOUNTED

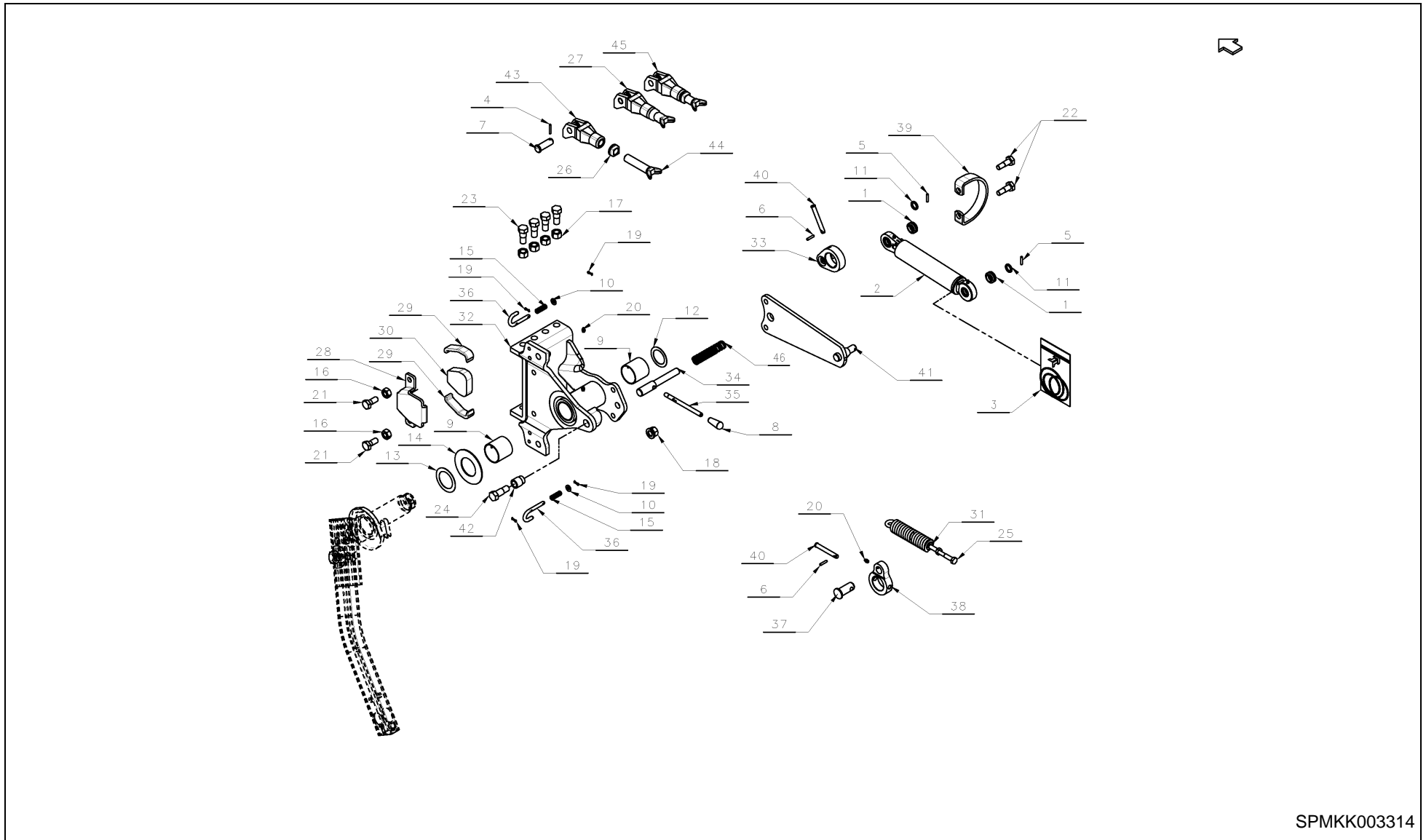


SPMKK003314

ES/LS / WHEEL 99 REAR MOUNTED

PosNo.	Part No.	Qty.	Description	Remark
1	A133890201	1	SPHERICAL BEARING GE-20-D0	
2	A152426588	1	SHOCK ABSORBER D50-D20X350+100	
3	A152426630	1	SEAL KIT D50-D20	
4	KG01188162	1	TENSION PIN 5X36	
5	KG01189400	1	TENSION PIN 6X30	
6	KG01189462	1	TENSION PIN 6X30	
7	KK010260	1	BOLT W/HEAD D20 X 53.5 HOLE D5	
8	KK011122	1	CAP FOR STICK 12	
9	KK011633	1	SLIDE BRG PM 6060DX GLACIER	
10	KK012916	1	WASHER D10.5-D21X2	
11	KK012931	1	WASHER D20.5-D28X3.4	
12	KK012955	1	WASHER D50-D70X1	
13	KK012956	1	WASHER D60.0XD85.0X1.00	
14	KK013004	1	WASHER D65-D120X3	
15	KK013700	1	PRESS SPRING D1.5-D12.5X40	
16	KK015825	1	M16 NUT	
17	KK015830	1	NUT M20	
18	KK016049	1	FLANGE NUT M20 WITH LOCK	
19	KK029718	1	SPLIT PIN D4X16	
20	KK029920	1	GREASE NIPPLE M8X1 STRAIGHT	
21	KK032740	1	HEX BOLT M16X40 10.9	
22	KK032750	1	HEX BOLT M16X50 10.9	
23	KK032845	1	HEX BOLT M20X45 10.9	
24	KK032855	1	HEX BOLT M20X55 10.9	
25	KK033670	1	HEX BOLT M12X70 FULL THREAD	
26	KK061899	1	COUNTER NUT M24	
27	KK064058R	1	STOP FOR D.WHEEL CPL W/BUSHING COMPET.	
28	KK064079R	1	HOLDER FOR DAMPER BLOCK	
29	KK064086R	1	GUARD DAMPER PIECE	
30	KK064087R	1	ABSORBER	
31	KK064089R	1	SPRING	
32	KK074839	1	WHEEL BRACKET W/SLIDEBRG	
33	KK074867R	1	PIECE SCHOCK ABSORBER	
34	KK074873	1	STOP AXLE. D/T WHEEL	
35	KK074874R	1	HANDLE F. STOP AXLE DEPTH WHEEL	
36	KK074876	1	LOCK FOR STOPPER DEPTH TRANSPORT WHEEL	
37	KK084040	1	BOLT W-HEAD D25X60	
38	KK084043	1	CRANK FOR SPRING	
39	KK084157R	1	PROTECTION BRACKET	
40	KK084194	1	PIN D12 FOR CRANK	

ES/LS / WHEEL 99 REAR MOUNTED



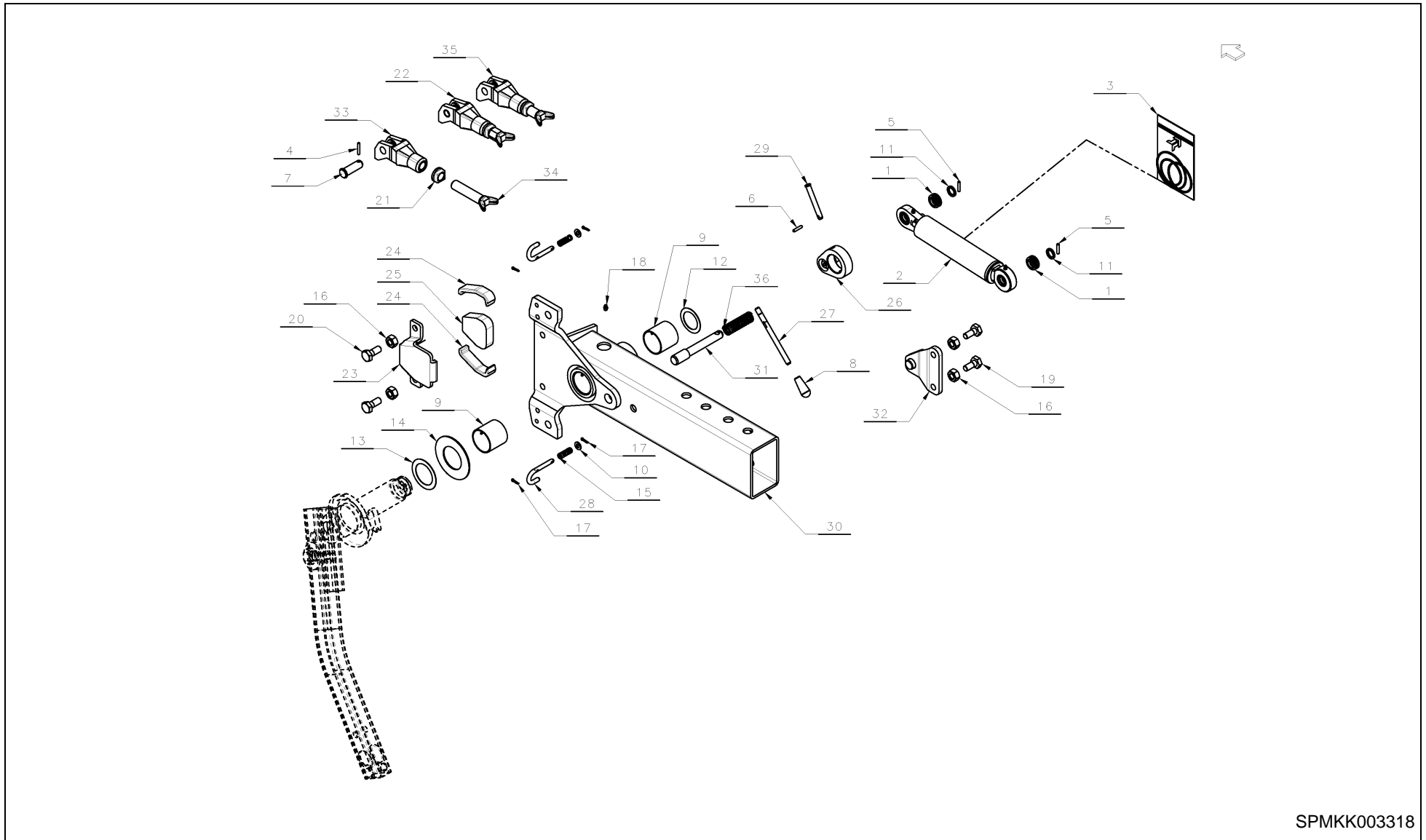
SPMKK003314

ES/LS / WHEEL 99 REAR MOUNTED



PosNo.	Part No.	Qty.	Description	Remark
41	KK084624	1	BRACKET	
42	KK085589R	1	BUSHING D19,5 X D29 X 35	
43	KK088062	1	STOP FOR DEPTH WHEEL M24	
44	KK088063	1	IMPACT BOLT DEPTH WHEEL M24	
45	KK088064	1	CLEVIS CPL. M24	
46	KK356042R	1	PRESSURE SPRING D2.8-D23.8X125	

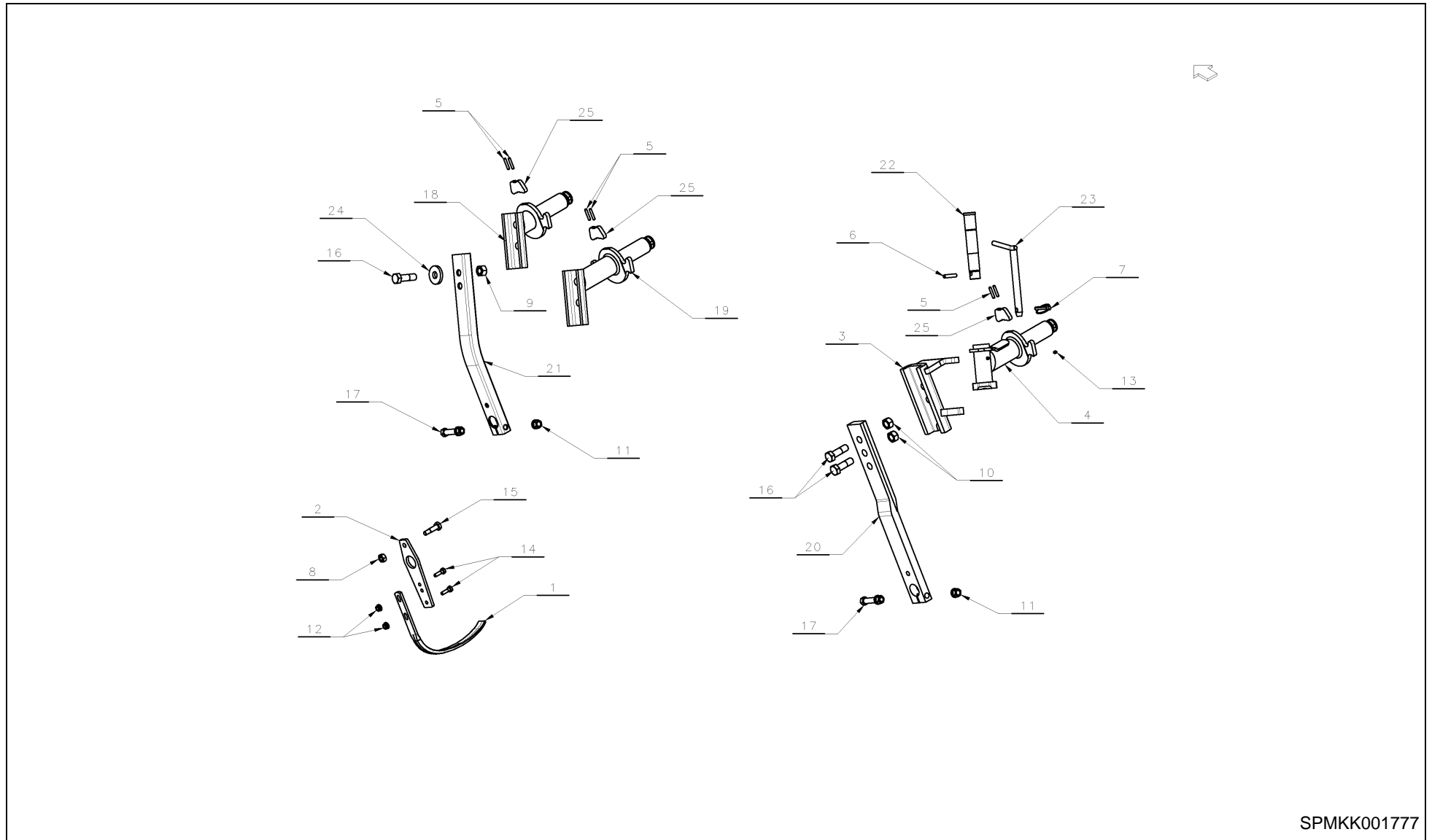
ES/LS / WHEEL 99 - FRAME MOUNTED



SPMKK003318

ES/LS / WHEEL 99 - FRAME MOUNTED

PosNo.	Part No.	Qty.	Description	Remark
1	A133890201	1	SPHERICAL BEARING GE-20-D0	
2	A152426588	1	SHOCK ABSORBER D50-D20X350+100	
3	A152426630	1	SEAL KIT D50-D20	
4	KG01188162	1	TENSION PIN 5X36	
5	KG01189400	1	TENSION PIN 6X30	
6	KG01189462	1	TENSION PIN 6X30	
7	KK010260	1	BOLT W/HEAD D20 X 53.5 HOLE D5	
8	KK011122	1	CAP FOR STICK 12	
9	KK011633	1	SLIDE BRG PM 6060DX GLACIER	
10	KK012916	1	WASHER D10.5-D21X2	
11	KK012931	1	WASHER D20.5-D28X3.4	
12	KK012955	1	WASHER D50-D70X1	
13	KK012956	1	WASHER D60.0XD85.0X1.00	
14	KK013004	1	WASHER D65-D120X3	
15	KK013700	1	PRESS SPRING D1.5-D12.5X40	
16	KK015825	1	M16 NUT	
17	KK029718	1	SPLIT PIN D4X16	
18	KK029920	1	GREASE NIPPLE M8X1 STRAIGHT	
19	KK032735	1	HEX BOLT M16X35 10.9	
20	KK032740	1	HEX BOLT M16X40 10.9	
21	KK061899	1	COUNTER NUT M24	
22	KK064058R	1	STOP FOR D.WHEEL CPL W/BUSHING COMPET.	
23	KK064079R	1	HOLDER FOR DAMPER BLOCK	
24	KK064086R	1	GUARD DAMPER PIECE	
25	KK064087R	1	ABSORBER	
26	KK074867R	1	PIECE SCHOCK ABSORBER	
27	KK074874R	1	HANDLE F. STOP AXLE DEPTH WHEEL	
28	KK074876	1	LOCK FOR STOPPER DEPTH TRANSPORT WHEEL	
29	KK084194	1	PIN D12 FOR CRANK	
30	KK084625	1	WHEEL HOLDER FRAME MOUNTED	
31	KK084690R	1	LOCK PIN	
32	KK084692R	1	BRACKET	
33	KK088062	1	STOP FOR DEPTH WHEEL M24	
34	KK088063	1	IMPACT BOLT DEPTH WHEEL M24	
35	KK088064	1	CLEVIS CPL. M24	
36	KK356042R	1	PRESSURE SPRING D2.8-D23.8X125	

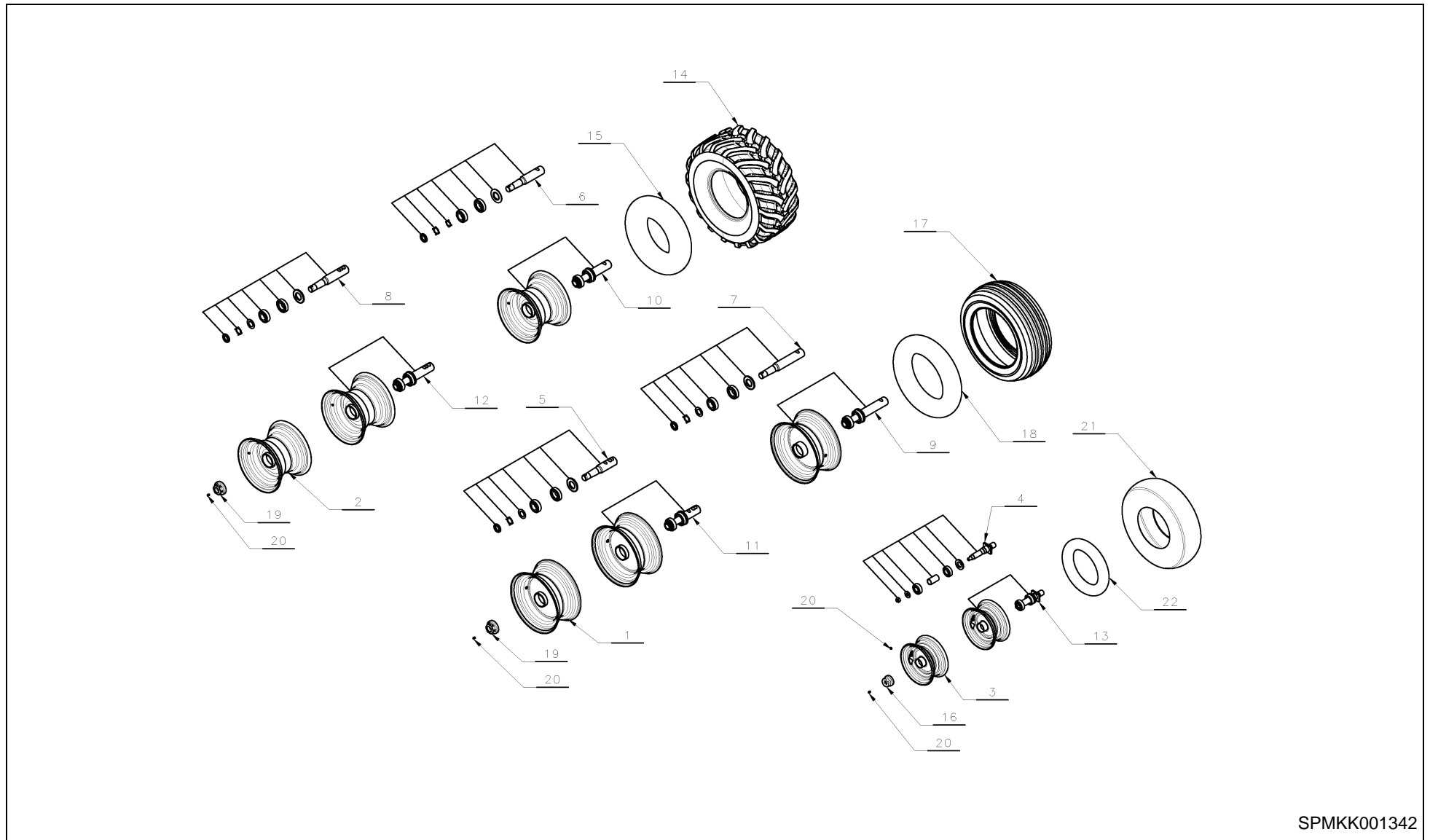


SPMKK001777

ES/LS / WHEELARM FOR DEPTHWHEEL 99



PosNo.	Part No.	Qty.	Description	Remark
1	A133333588	1	SCRAPER 320/60-12TT COMBI WHEEL	
2	A133333688	1	BRACKET FOR SCRAPER 2000 DEPTH/TR. WHEEL	
3	A133459688	1	PIECE F. WHEEL ARM DEPTH WHEEL	
4	A133900988	1	AXLE W HOUSING MOUNTED	
5	KG01191962	1	TENSION PIN 8X45	
6	KG01195600	1	TENSION PIN 12X60	
7	KK010700	1	PIN D12 NS 555	
8	KK015825	1	M16 NUT	
9	KK015841	1	NUT M24 GALV.	
10	KK016001	1	LOCK NUT M24 10 GALV.	
11	KK016012	1	FLANGE NUT M20	
12	KK016038	1	FLANGE NUT M12	
13	KK029920	1	GREASE NIPPLE M8X1 STRAIGHT	
14	KK032640	1	HEX BOLT M12X40	
15	KK032765	1	HEX BOLT M16X65 10.9 W/WAX	
16	KK032980	1	HEX BOLT M24X80 S=40+3	
17	KK035175	1	HEX BOLT M20X100 W/FLANGE NUT	
18	KK074841R	1	AXLE, SHORT W BRACKET DEPTH W 99 PAINT	
19	KK074862R	1	AXLE W SUPPORT, DEP.WHEEL PAINTED	
20	KK074865	1	WHEELARM DEPTH - TRANSP WHEEL	
21	KK074866R	1	WHEELARM FOR DEPTHWHEEL 99	
22	KK074875	1	AXLE FOR CHANGE OVER PIECE	
23	KK074893	1	AXLE FOR SWITCH W/ FIX	
24	KK079063	1	WASHER D26.5-D70X10	
25	KK085592	1	PAL LIFTER	

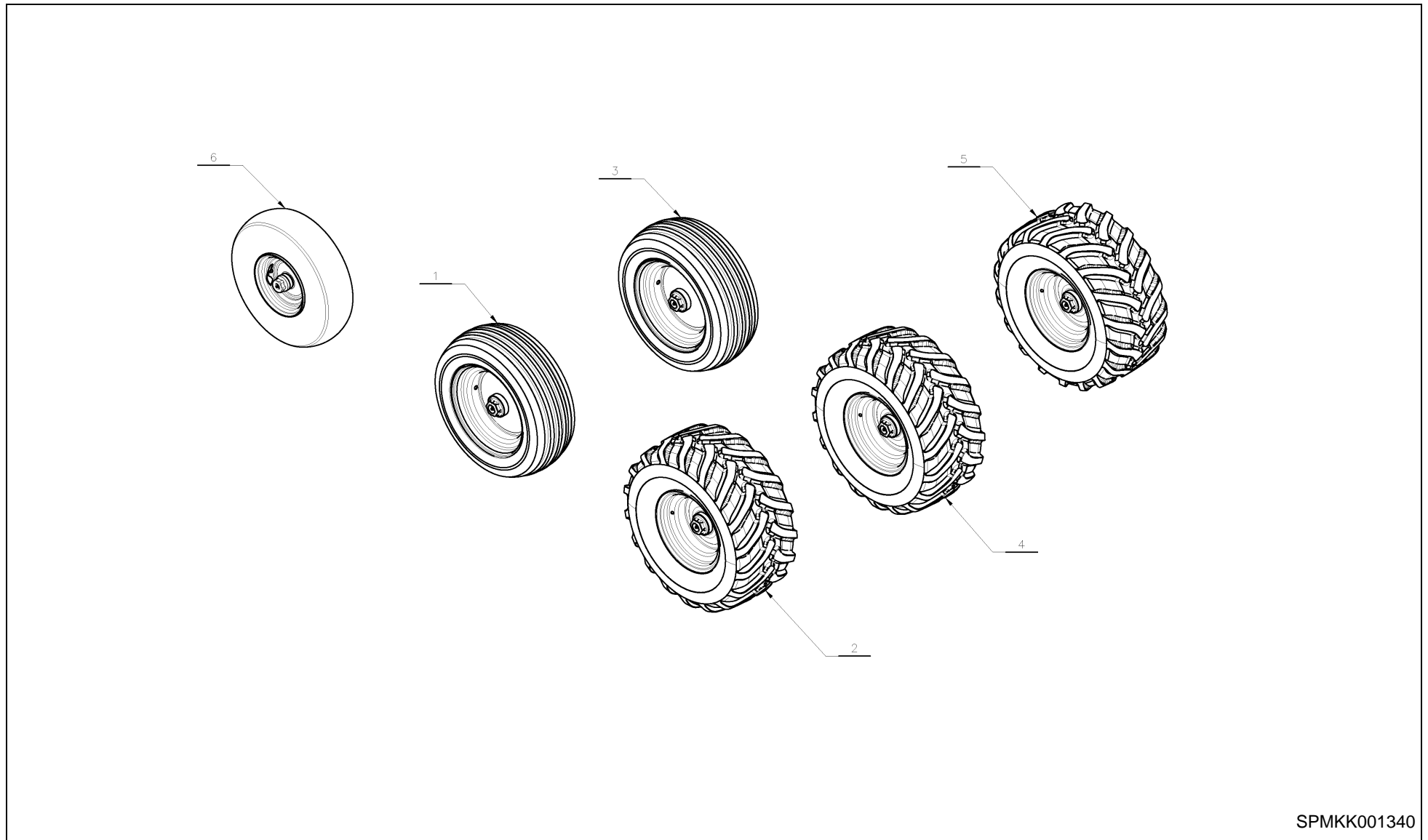


SPMKK001342

ES/LS / WHEEL 320/60-12TT T421, 6.00X9



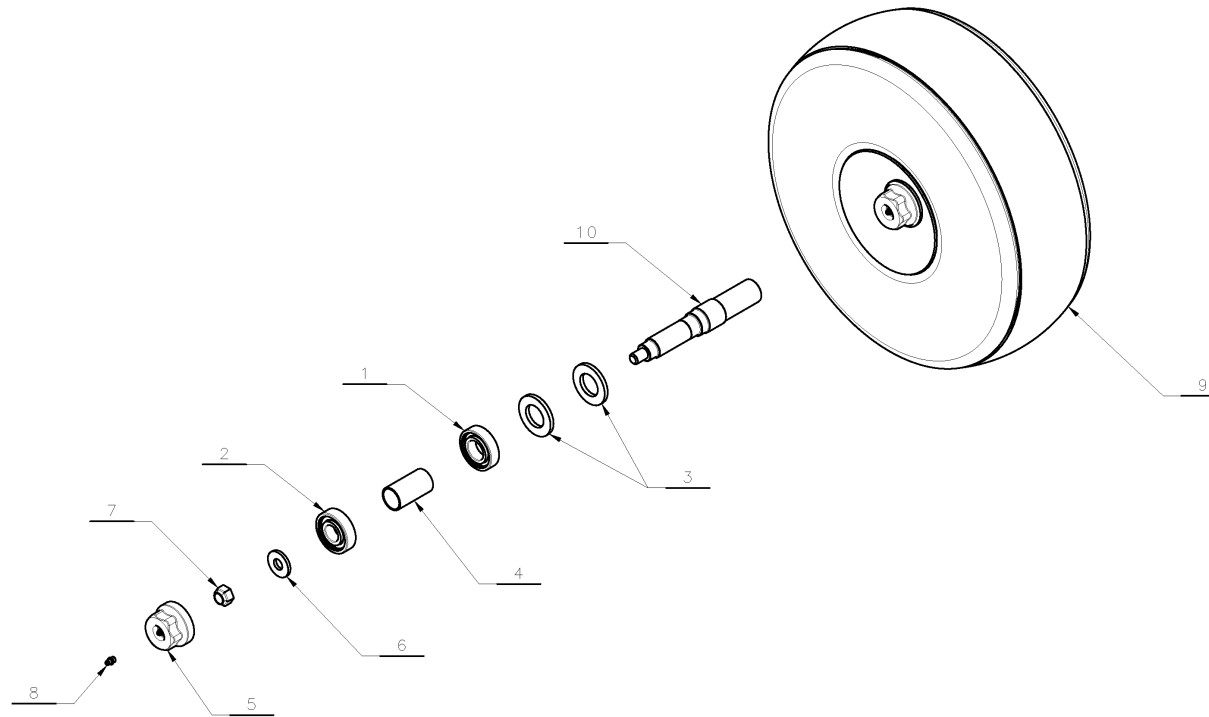
PosNo.	Part No.	Qty.	Description	Remark
1	A133313698	1	RIM 6.75X14.5X3.0	
2	A133314598	1	RIM 9X12-12	
3	A133339998	1	RIM 6.00X9	
4	A133340730	1	AXLE KIT FOR WHEEL 6.00X9	
5	A133341430	1	AXLE KIT FOR WHEEL 200X14,5	
6	A133341530	1	AXLE KIT FOR WHEEL 320/60-12TT T421	
7	A133341730	1	AXLE KIT FOR WHEEL 200X14,5	
8	A133341930	1	AXLE KIT FOR WHEEL 320/60-12TT T421	
9	A133590530	1	RIM 6.75X14.5X3.0 W/AXLEKIT L=340	
10	A133590630	1	RIM 9X12-12 W/AXLEKIT L=282	
11	A133590730	1	RIM 6.75X14.5X3.00 W/AXLEKIT L=253	
12	A133590830	1	RIM 9X12-12 W/AXLEKIT L=297	
13	A133590930	1	RIM 6.00X9 W/AXLE KIT L=216	
14	KK013274	1	TYRE 320/60-12TT T421	
15	KK013279	1	INNER TYRE FOR 320/60 12TT T421	
16	KK011167	1	HUB CAP 62 MM W.NIPPLE	
17	KK011303	1	TYRE LP 200X14.5/10-448	
18	KK011305	1	INNER TYRE 200-14.5 TR-15 FE	
19	KK013105	1	HUB CAP D80 WITH NIPPLE	
20	KK029920	1	GREASE NIPPLE M8X1 STRAIGHT	
21	KK094206	1	TYRE 6.00X9	
22	KK094207	1	TUBE 6.00X9	



SPMKK001340

ES/LS / WHEEL COMPLETE

PosNo.	Part No.	Qty.	Description	Remark
1	A133315530	1	WHEEL 200X14.5 CPL W AXLE	AXLE L=253
2	A133315730	1	WHEEL 320/60-12TT T421 CPL W AXLE R	AXLE L=297
3	A133315830	1	WHEEL 200X14.5 CPL W AXLE	AXLE L=340
4	A133315930	1	WHEEL 320/60-12TT T421 CPL W/AXLE R	AXLE L=282
5	A133316030	1	WHEEL 320/60-12TT T421 CPL W AXLE L	AXLE L=282
6	A133337530	1	WHEEL 6.00X9 W/AXLE	

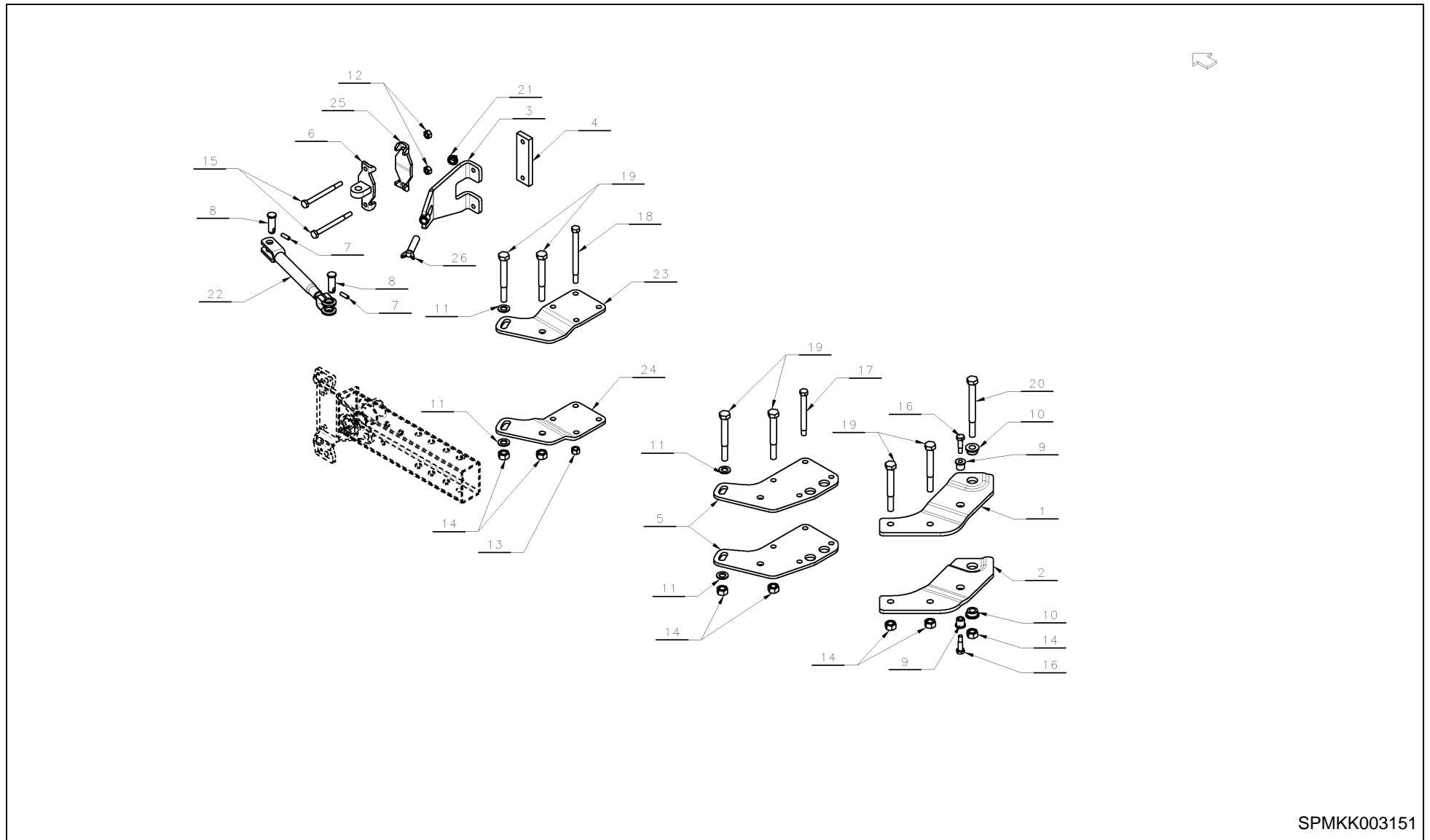


SPMKK001341

ES/LS / STEEL WHEEL 500X165



PosNo.	Part No.	Qty.	Description	Remark
1	KG01477300	1	BALL BEARING 6206 C3	
2	KG01490200	1	BALL BEARING 6305 C3	
3	KK010806R	1	Z-LAMELL	
4	KK010096	1	SPACING TUBE D35/31X L=64.2	
5	KK011167	1	HUB CAP 62 MM W.NIPPLE	
6	KK012922	1	WASHER D17-D40X4.58	
7	KK016010	1	NYLOC NUT M16	
8	KK029920	1	GREASE NIPPLE M8X1 STRAIGHT	
9	KK072455	1	DEPTH WHEEL 500X165 WITH AXLE	
10	KK072458R	1	WHEEL AXLE D38 X 235	



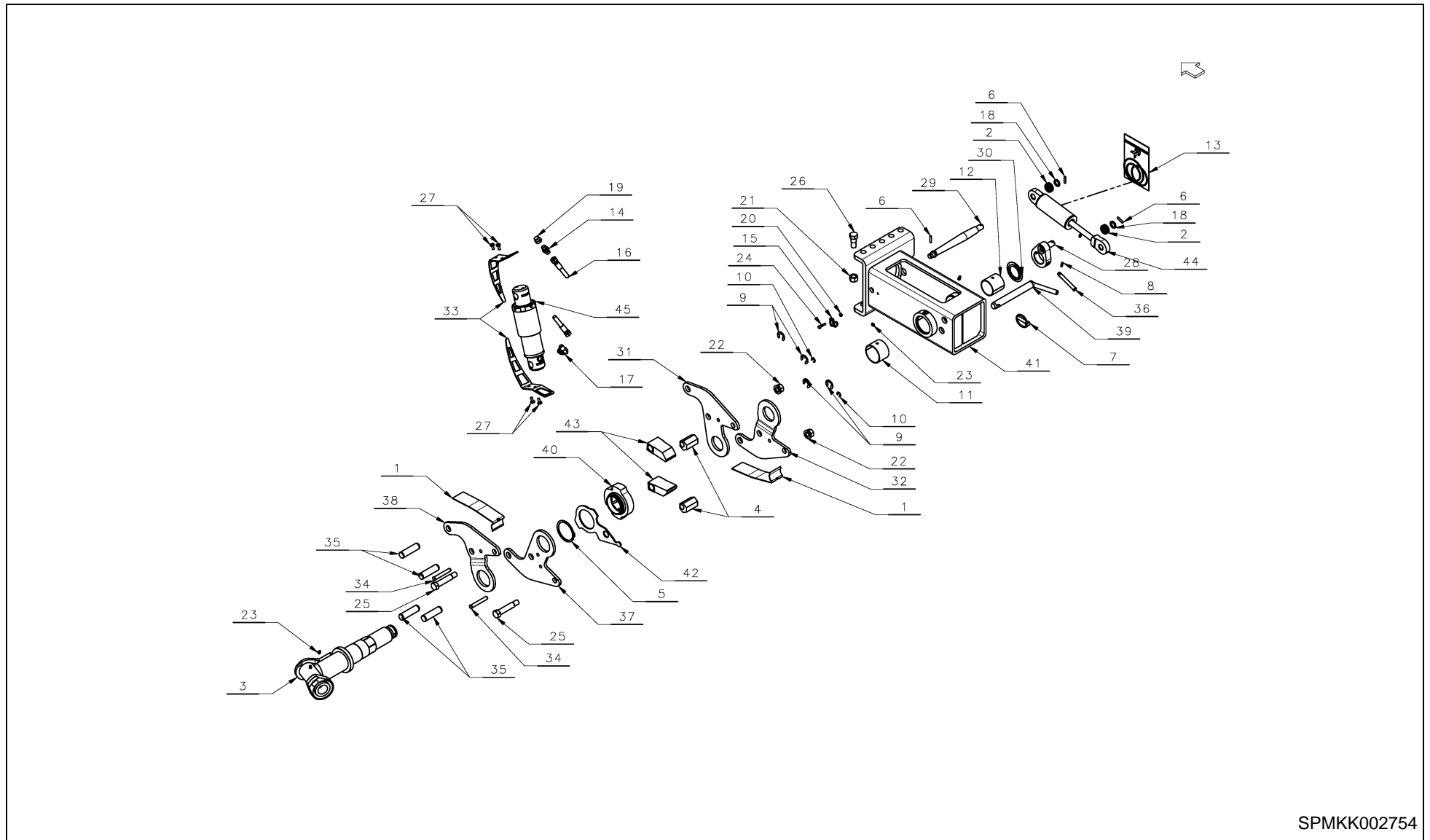
SPMKK003151

ES/LS / BRACKETS DEPTH/TRANSP. WHEEL 99



PosNo.	Part No.	Qty.	Description	Remark
1	A133335188	1	PLATE UPPER	
2	A133335288	1	PLATE LOWER	
3	A133335394	1	TRANSPORT SUPPORT W.	
4	A133335494	1	BRACKET W/HOLES 215X65X20	
5	A152188188	1	PLATE FOR FRAME MOUNTED WHEEL	
6	A152188288	1	FIXING DEVICE FOR TUBE 150	
7	KG01195400	1	TENSION PIN 12X40	
8	KK010315	1	BOLT W/ HEAD D25.3X60	
9	KK011614	1	BUSHING W/FLANGE 16X30X28-D30/28	
10	KK011615	1	BUSHING W/FLANGE D24.25X22-D40/17	
11	KK013005	1	WASHER D25-D44X4	
12	KK015825	1	M16 NUT	
13	KK015830	1	NUT M20	
14	KK015841	1	NUT M24 GALV.	
15	KK032719	1	HEX BOLT M16X190 10.9	
16	KK032765	1	HEX BOLT M16X65 10.9 W/WAX	
17	KK032822	1	HEX BOLT M20X190 THREAD L=25	
18	KK032836	1	HEX BOLT M20X240 10.9	
19	KK032920	1	HEX BOLT M24X200 10.9	
20	KK032925	1	HEX BOLT M24X250 10.9	
21	KK061899	1	COUNTER NUT M24	
22	KK070805	1	TURNBUCKLE	
23	KK074884	1	PLATE UPPER FRAME ASS.DEPTH/TRANS.W.99	
24	KK074885	1	PLATE LOWER FRAME ASS.DEPTH/TRANS.W.99	
25	KK074890R	1	FIXING DEVICE F. TUBE 150	
26	KK088063	1	IMPACT BOLT DEPTH WHEEL M24	

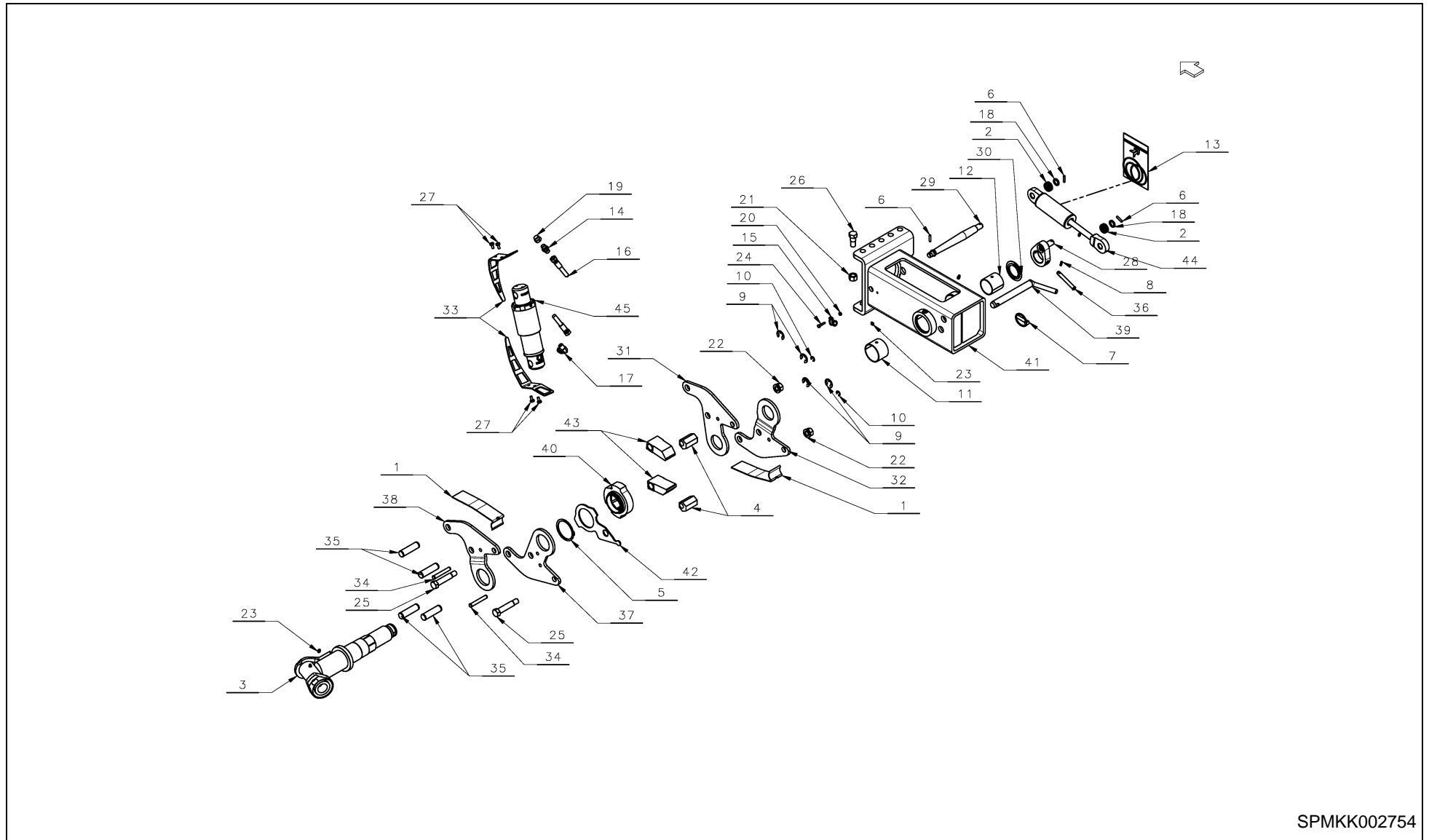
ES/LS / WHEEL (HYDRAULIC)



SPMKK002754

ES/LS / WHEEL (HYDRAULIC)

PosNo.	Part No.	Qty.	Description	Remark
1	A133331988	1	COVER ON PAWL ARMS	
2	A133890201	1	SPHERICAL BEARING GE-20-D0	
3	A133900888	1	SHAFT WITH FIX HYD WHEEL MOUNTED	
4	A152110162	1	HEX BLOCK	
5	KG01112200	1	CIRCLIP-A 80 X 2.5	
6	KG01189400	1	TENSION PIN 6X30	
7	KK010700	1	PIN D12 NS 555	
8	KK011061	1	ROLL PIN D6X22 FORS.	
9	KK011270	1	CIRCLIP 19 NS 5145	
10	KK011271	1	CIRCLIP	
11	KK011628	1	SLIDE BRG PM 7050 SY	
12	KK011629	1	SLIDE BRG PM 6060 SY	
13	KK011939	1	SEAL KIT D20-D50	
14	KK012261	1	COUPLING 3/8-3/8	
15	KK012395	1	HOSE CLAMP ¼ RUBBER/STEEL	
16	KK012670	1	HOSE 1/4X500 R-SV/R-SV	
17	KK012730	1	90 DEG MALE-FEMALE ADJUSTABLE ADAPTOR	
18	KK012931	1	WASHER D20.5-D28X3.4	
19	KK013773	1	3/8 DUST CAP WITH NUT	
20	KK015806	1	NUT M6	
21	KK015830	1	NUT M20	
22	KK016049	1	FLANGE NUT M20 WITH LOCK	
23	KK029920	1	GREASE NIPPLE M8X1 STRAIGHT	
24	KK032330	1	HEX BOLT M6X30 PARTLY THREAD	
25	KK032824	1	HEX BOLT M20X105 10.9	
26	KK032845	1	HEX BOLT M20X45 10.9	
27	KK033416	1	HEX BOLT M8X16 GALV.	
28	KK074867R	1	PIECE SCHOCK ABSORBER	
29	KK084144R	1	PIVOT PIN ON SHOCKABS HYD WHEEL	
30	KK084146	1	LABYRINTH SEAL	
31	KK084181R	1	PAWL ARM PLANE D60	
32	KK084182R	1	PAWL ARM BENT D60	
33	KK084189	1	INDICATOR ON HYD DEPTH WHEEL	
34	KK084190	1	PIN D12	
35	KK084191	1	PIN D24	
36	KK084194	1	PIN D12 FOR CRANK	
37	KK084613R	1	PAWN ARM PLANE D68 FOR CONE TAP	
38	KK084614R	1	PAWN ARM BENT D68 FOR CONE TAP	
39	KK084688	1	BOLT HYD. WHEEL	
40	KK08976861	1	CAM DISC WITH SPACER RINGS	



SPMKK002754

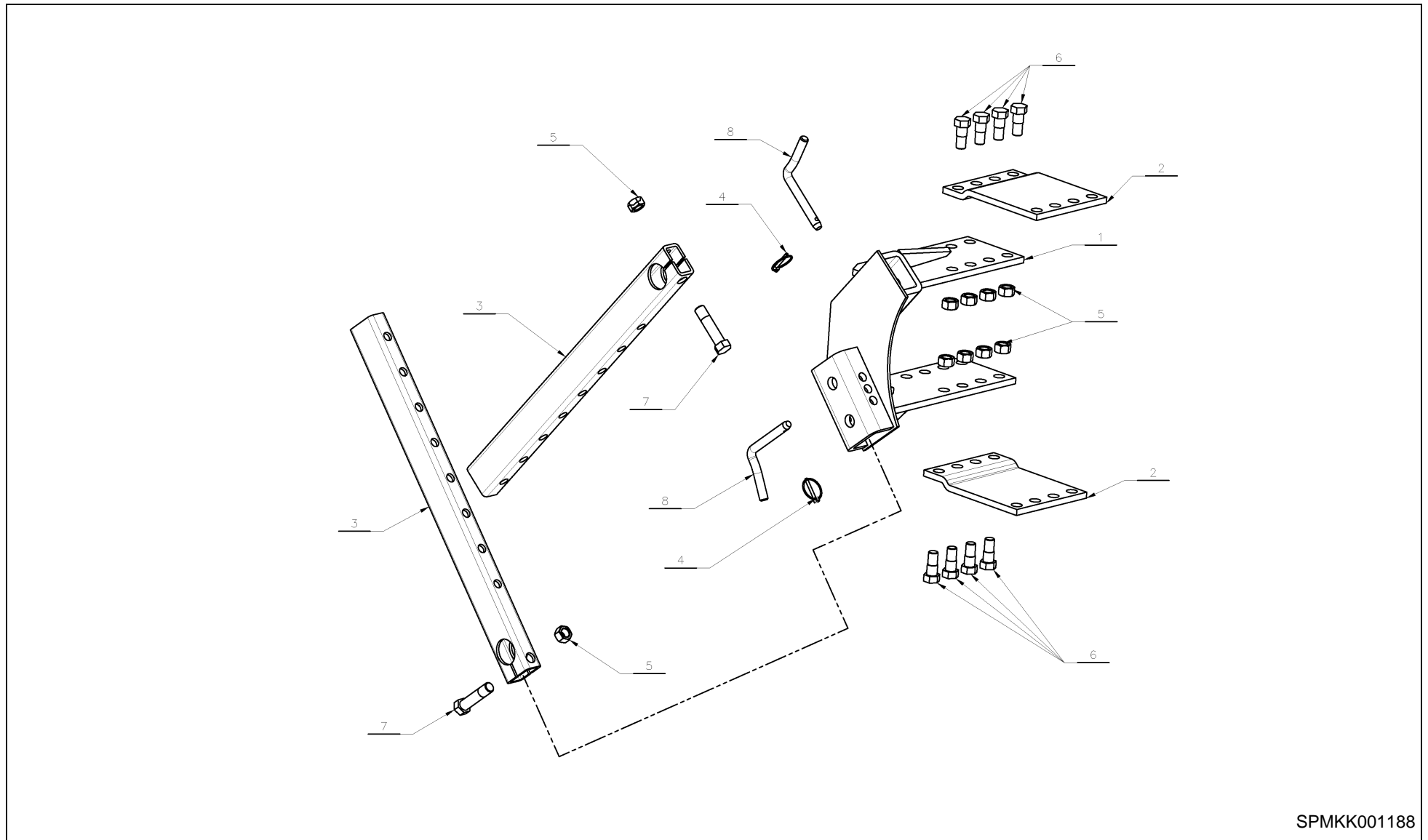
ES/LS / WHEEL (HYDRAULIC)



PosNo.	Part No.	Qty.	Description	Remark
41	KK089773	1	HOUSING 180 W/BUSHINGS&GRESE NIPPLES	
42	KK089774	1	RELEASE PLATE	
43	KK089778	1	PAWL ON HYD. WHEEL	
44	KK353630R	1	SHOCKABS.D50-D20X250+100-1.2RESTR	
45	KK354515	1	CYL D63/D32X280+120 HYD WHEEL	

ES/LS / HYDRAULIC WHEEL-HOSE ON PARALLEL ROD

PosNo.	Part No.	Qty.	Description	Remark
1	A133816362	1	CLAMP FOR 3 X 1/4" - HOSES	
2	A152148530	1	HOSE 1/4X2500 R-SV/R-SV 2 LAYERS	EO/LO-85/100-300X4-5
2	A152148530	1	HOSE 1/4X2500 R-SV/R-SV 2 LAYERS	EG/LB-85/100-300X4-6
3	A152148930	1	HOSE 1/4X3250 R-SV/R-SV 2 LAYERS	ES/LS-80/85/95-200X4-5
3	A152148930	1	HOSE 1/4X3250 R-SV/R-SV 2 LAYERS	ECO-650-200X6-8
3	A152148930	1	HOSE 1/4X3250 R-SV/R-SV 2 LAYERS	EG/LB-85-300X4
4	A152208130	1	HOSE 1/4X3750 R-SV/R-SV 2 LAYERS	EG/LB-85-300X4
4	A152208230	1	HOSE 1/4X4500 R-SV/R-SV 2 LAYERS	EG/LB-85-200X5
4	A152149130	1	HOSE 1/4X4000 R-SV/R-SV 2 LAYERS	EG/LB-100-200X4
4	A152148730	1	HOSE 1/4X2750 R-SV/R-SV 2 LAYERS	ES/LS-80/85-200X4
4	A152149030	1	HOSE 1/4X3500 R-SV/R-SV 2 LAYERS	ES/LS-80/85-200X5
4	A152148830	1	HOSE 1/4X3000 R-SV/R-SV 2 LAYERS	ES/LS-95-200X4
4	A152149130	1	HOSE 1/4X4000 R-SV/R-SV 2 LAYERS	ES/LS-95-200X5
4	A152149030	1	HOSE 1/4X3500 R-SV/R-SV 2 LAYERS	ECO-650-200X6
4	A152149230	1	HOSE 1/4X4250 R-SV/R-SV 2 LAYERS	ECO-650-200X7
4	A152208130	1	HOSE 1/4X3750 R-SV/R-SV 2 LAYERS	ECO-650-200X8
5	A152208130	1	HOSE 1/4X3750 R-SV/R-SV 2 LAYERS	EG/LB-85-300X4
5	A152208230	1	HOSE 1/4X4500 R-SV/R-SV 2 LAYERS	EG/LB-85-300X5
5	A152149130	1	HOSE 1/4X4000 R-SV/R-SV 2 LAYERS	EG/LB-100-300X4
5	A152149330	1	HOSE 1/4X5000 R-SV/R-SV 2 LAYERS	EG/LB-100-300X5
5	A152269230	1	HOSE 1/4X6000 R-SV/R-SV 2 LAYERS	EG/LB-100-300X6
5	A152208230	1	HOSE 1/4X4500 R-SV/R-SV 2 LAYERS	EO/LO-100-300X4
5	A152269230	1	HOSE 1/4X6000 R-SV/R-SV 2 LAYERS	EO/LO-100-300X5
6	KK012158	1	QUICK COUPLING 1/2-3/8 W-COUPL.	
7	KK012261	1	COUPLING 3/8-3/8	
8	KK012395	1	HOSE CLAMP 1/4 RUBBER/STEEL	
9	KK012707	1	BULKHEAD COUPLING 3/8 W.NUT	
10	KK012984	1	WASHER D6.6XD21X2.4	
11	KK013542	1	CLAMP 1/4X4 CPL.	
12	KK013549	1	HOSE WRAPPER D32X750	
13	KK015806	1	NUT M6	
14	KK032340	1	HEX BOLT M6X40 PARTLY THREAD	
15	KK032345	1	HEX BOLT M6X45 PARTLY THREAD	
16	KK033325	1	HEX BOLT M6X25 GALV.	
17	KK082079	1	FIX FOR 3 HOSES	
18	KK309029	1	STRIP 7,5X340	

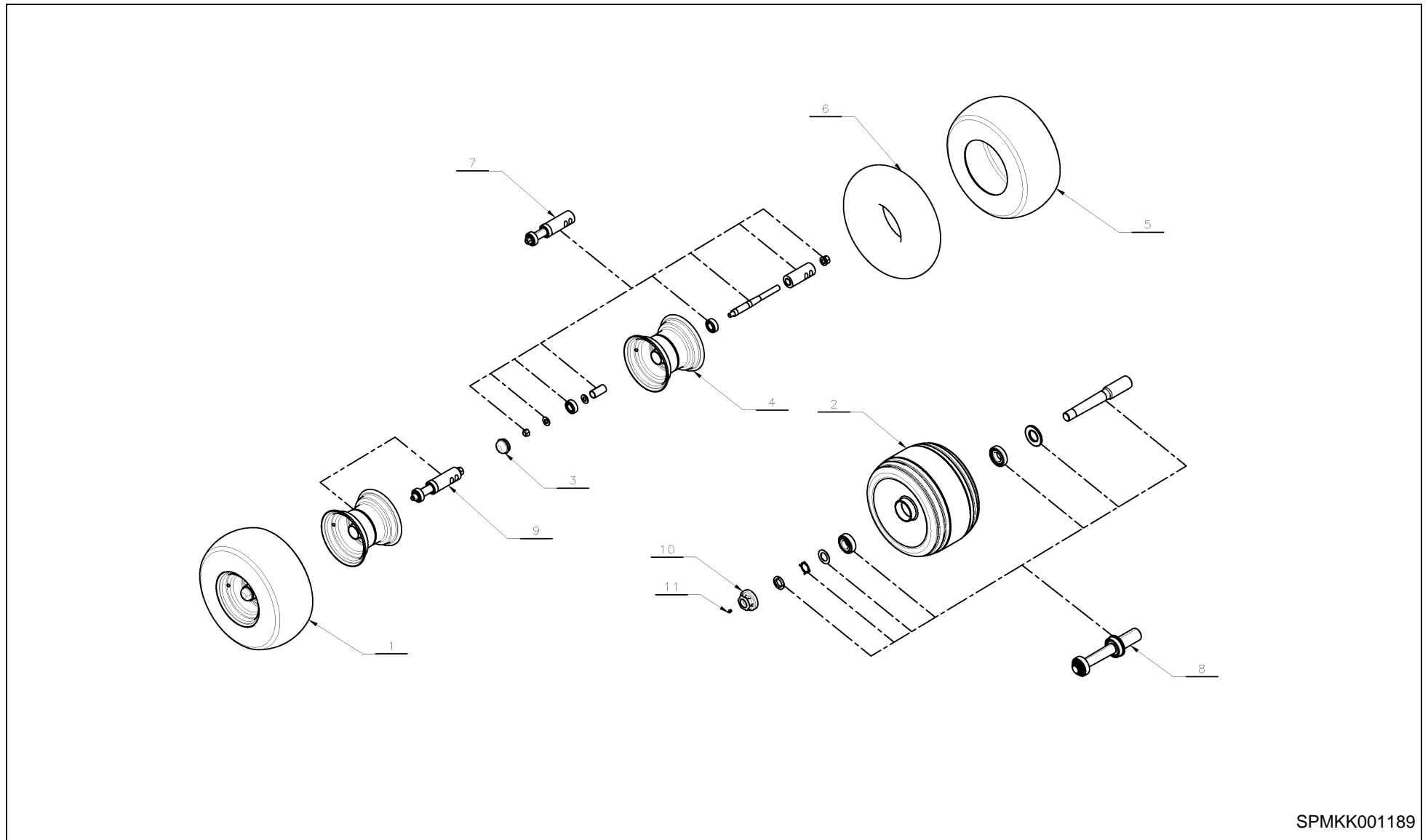


SPMKK001188

ES/LS / WHEEL BRACKET



PosNo.	Part No.	Qty.	Description	Remark
1	A133192488	1	WHEEL BRACKET W.	
2	A133205688	1	EXTENSION BRACKET	
3	A133554688	1	WHEELARM 9-11-13 TINES	
4	KK010702	1	PIN D6 NS 555	
5	KK015830	1	NUT M20	
6	KK032845	1	HEX BOLT M20X45 10.9	
7	KK032885	1	HEX BOLT M20X85 10.9	
8	KK191234	1	BOLT WITH HANDLE D16	

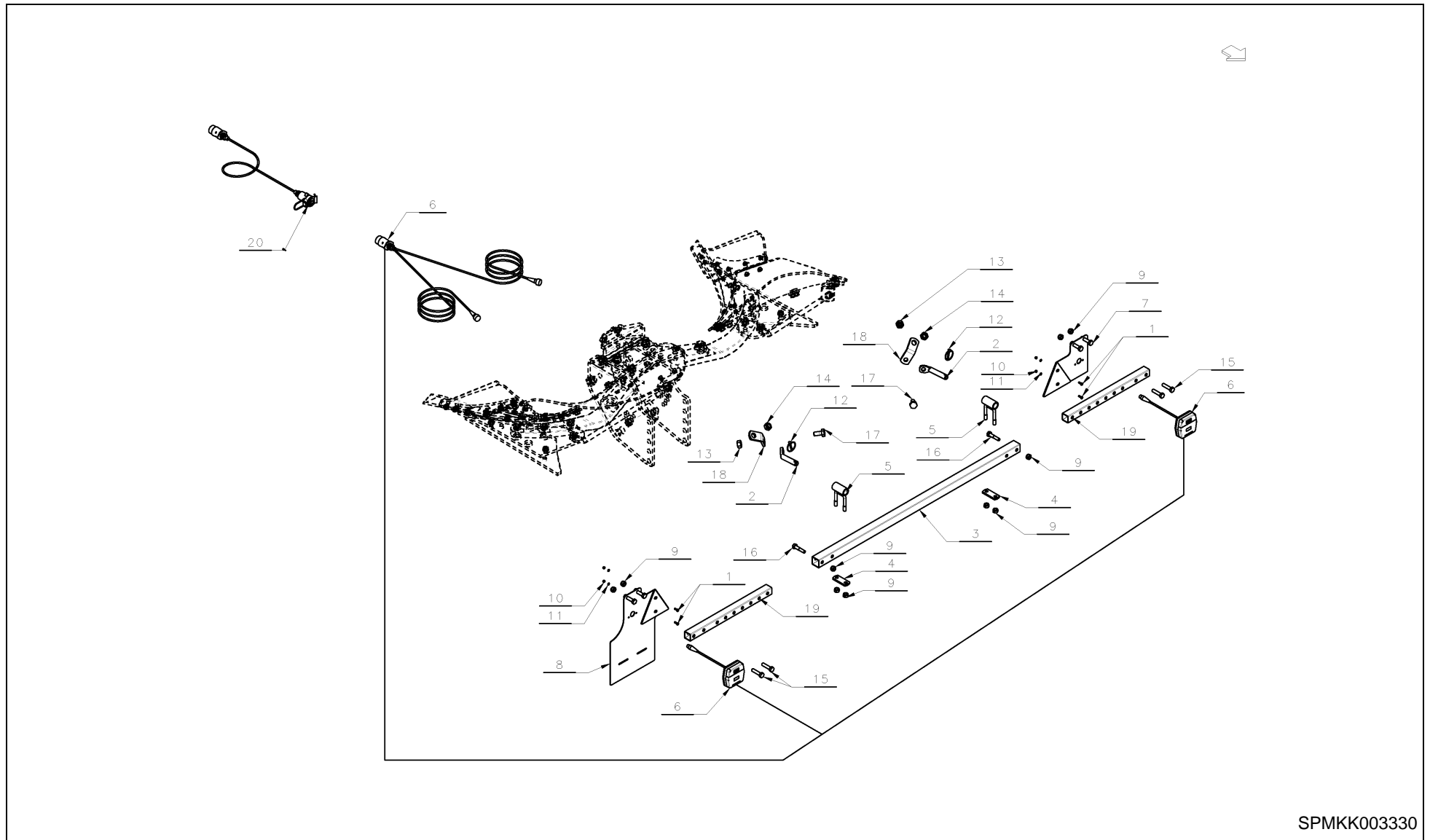


SPMKK001189

ES/LS / WHEEL



PosNo.	Part No.	Qty.	Description	Remark
1	A133197030	1	WHEEL RUBBER CLP 18X8.50-8 T539	
2	A133228788	1	STEEL WHEEL 400X250	
3	A133231301	1	DUST PROTECTION Ø52.2	
4	A133231488	1	RIM 7.00 X 8	
5	A133231678	1	TYRE 18X8.50-8 T539	
6	A133231878	1	TUBE 18X8.50-8 T539	
7	A133274332	1	AXLE KIT FOR RUBBER WHEEL	
8	A133274432	1	AXLE KIT FOR STEEL WHEEL 400X250	
9	A133590430	1	RIM 7.00X8 W/AXLEKIT L=265	
10	KK013105	1	HUB CAP D80 WITH NIPPLE	
11	KK029920	1	GREASE NIPPLE M8X1 STRAIGHT	

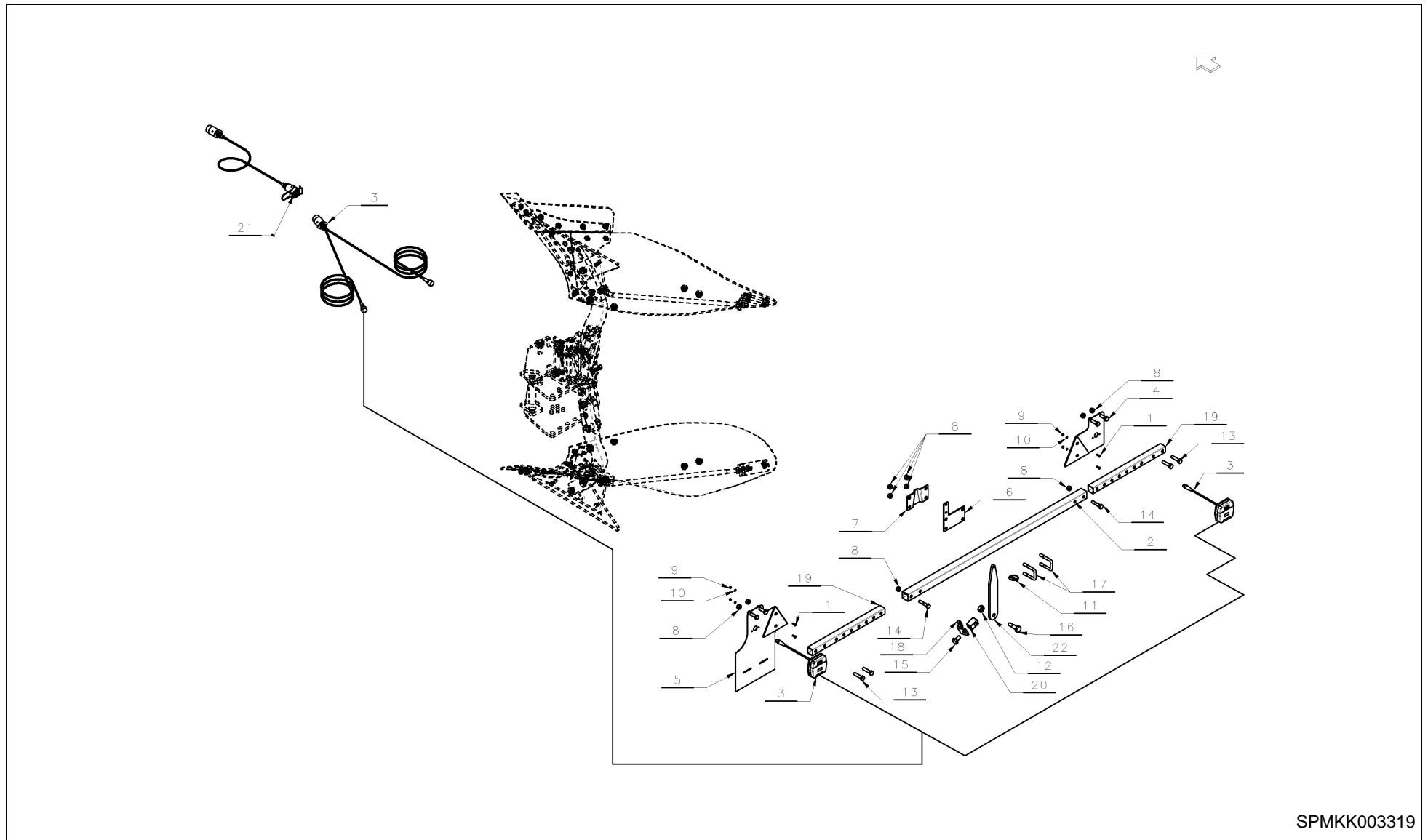


SPMKK003330

ES/LS / LIGHTS

PosNo.	Part No.	Qty.	Description	Remark
1	A100048000	1	CHEESE HEAD SCREW M5X16 A4	
2	A133561586	1	FIXING PIN FOR LIGHTS	
3	A133561686	1	TUBE FOR LIGHTS	
4	A133561886	1	PLATE WITH 2 HOLES	
5	A133561986	1	CLEVIS WITH BUSHING	
6	A133917930	1	KIT EU TYPE APPROVAL LIGHTS & CABLE	
7	A152257330	1	SPARE KIT LIGHT BEAM RIGHT	
8	A152257430	1	SPARE KIT LIGHT BEAM LEFT	
9	KG01067761	1	LOCK NUT M12 8	
10	KG01070900	1	LOCK NUT M5 A4	
11	KG01267161	1	WASHER M5	
12	KK010702	1	PIN D6 NS 555	
13	KK015825	1	M16 NUT	
14	KK015834	1	NUT M20	
15	KK032650	1	HEX BOLT M12X50	
16	KK032655	1	HEX BOLT M12 X 55	
17	KK032735	1	HEX BOLT M16X35 10.9	
18	KK354313	1	FIXING PLATE	
19	KK354363	1	TUBE 35X35X2X485	
20	KK354387	1	CABLE 7 PIN MALE FEMALE L=5000	

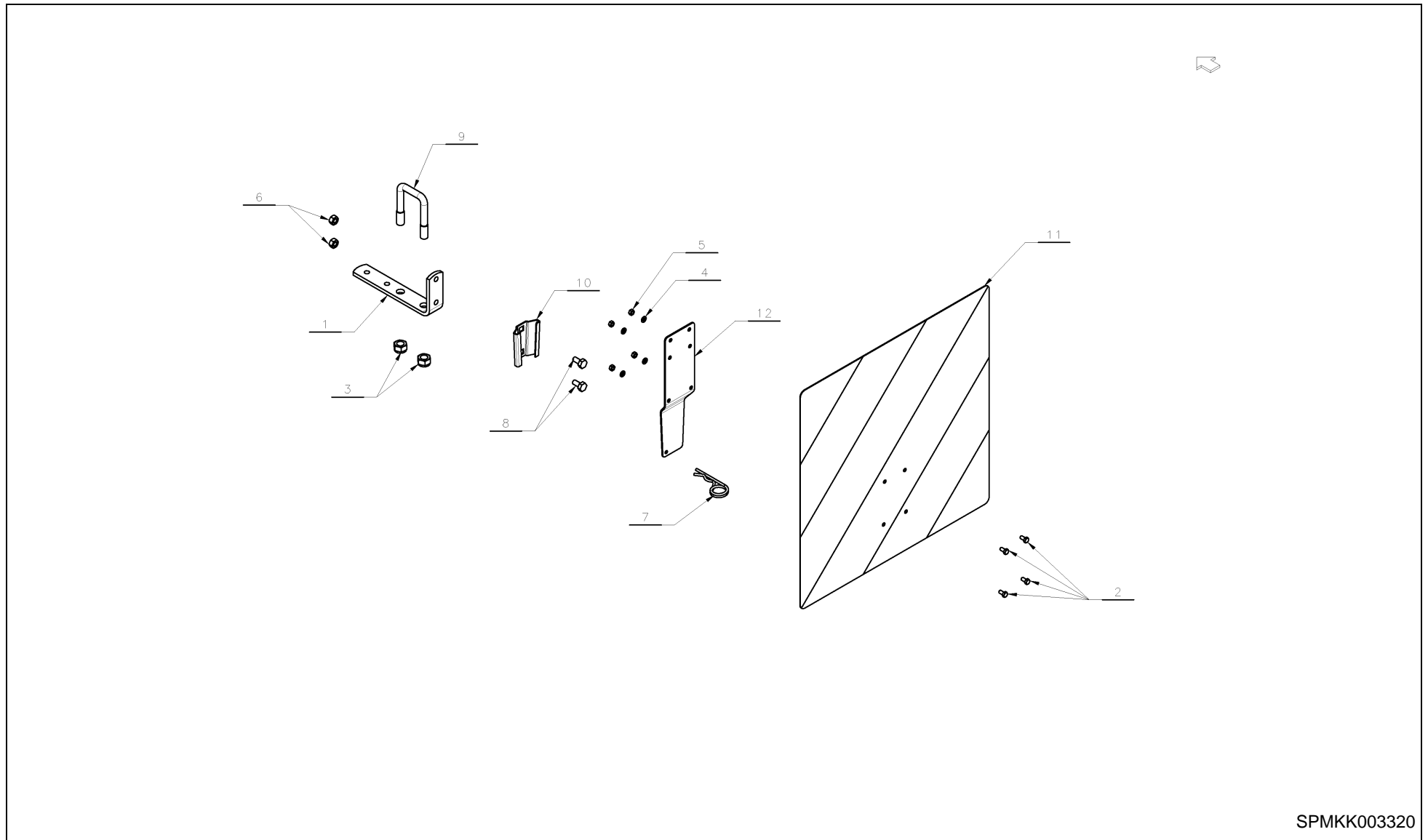
ES/LS / LIGHTS PLOUGH POSITION



SPMKK003319

ES/LS / LIGHTS PLOUGH POSITION

PosNo.	Part No.	Qty.	Description	Remark
1	A100048000	1	CHEESE HEAD SCREW M5X16 A4	
2	A133561686	1	TUBE FOR LIGHTS	
3	A133917930	1	KIT EU TYPE APPROVAL LIGHTS & CABLE	
4	A152257330	1	SPARE KIT LIGHT BEAM RIGHT	
5	A152257430	1	SPARE KIT LIGHT BEAM LEFT	
6	A152376986	1	PLATE	
7	A152377086	1	PLATE BENDED	
8	KG01067761	1	LOCK NUT M12 8	
9	KG01070900	1	LOCK NUT M5 A4	
10	KG01267161	1	WASHER M5	
11	KK010702	1	PIN D6 NS 555	
12	KK015825	1	M16 NUT	
13	KK032650	1	HEX BOLT M12X50	
14	KK032655	1	HEX BOLT M12 X 55	
15	KK032725	1	HEX BOLT M16X27 10.9	
16	KK032755	1	HEX BOLT M16X55 10.9	
17	KK199788	1	CLEVIS M12-4SQ41-70	
18	KK354313	1	FIXING PLATE	
19	KK354363	1	TUBE 35X35X2X485	
20	KK354369	1	THREADED PIECE	
21	KK354387	1	CABLE 7 PIN MALE FEMALE L=5000	
21	A152128830	1	CABLE 7 PIN MALE-FEMALE L=10000	FOR 3400 and LO
22	KK354463	1	SPEAR	

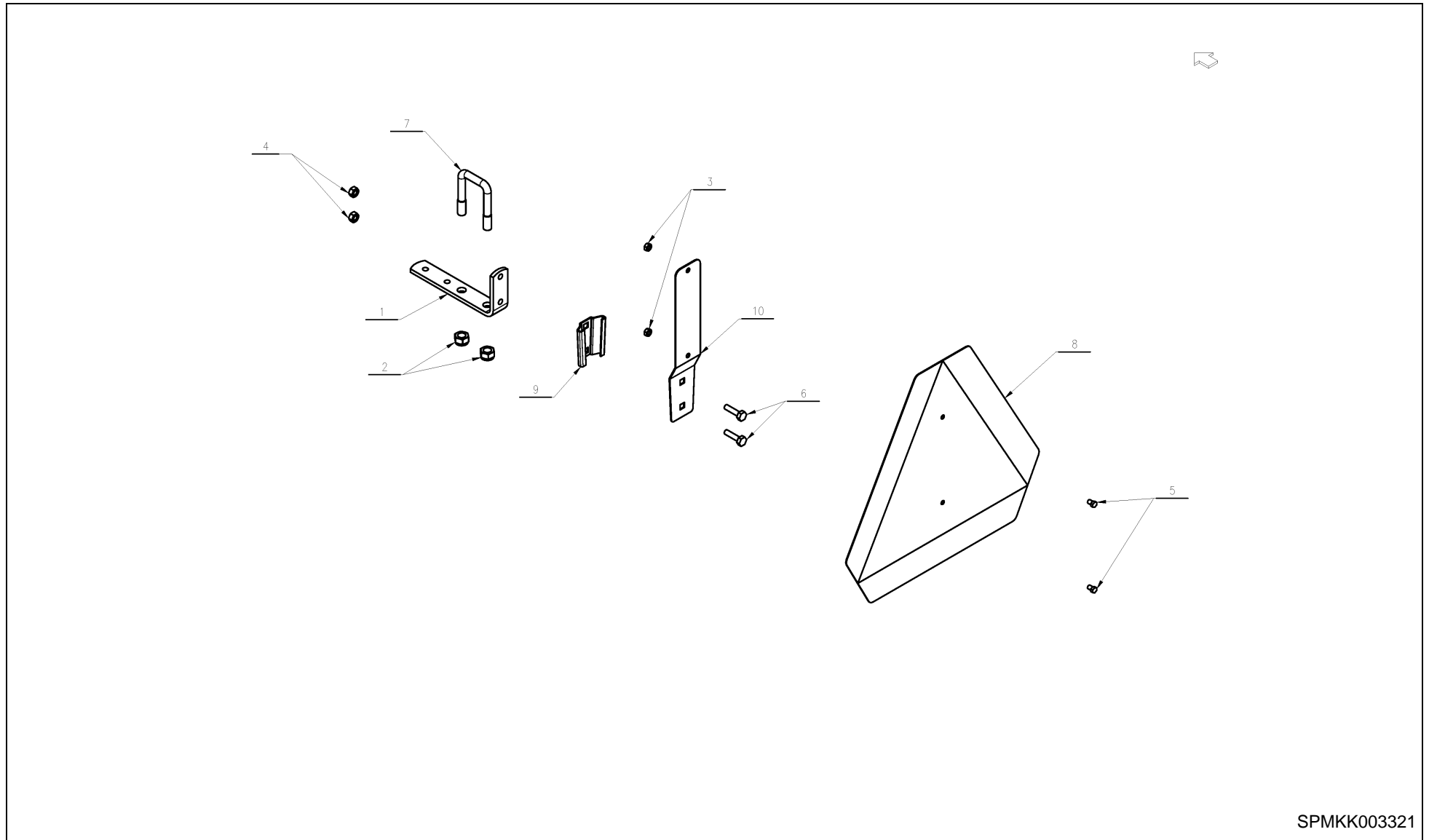


SPMKK003320

ES/LS / REFLEX (FR)



PosNo.	Part No.	Qty.	Description	Remark
1	A133561786	1	FIX FOR TRIANGLE AND SOCKET	
2	KG00467061	1	HEX. SCREW M5X10 8.8	
3	KG01067761	1	LOCK NUT M12 8	
4	KG01267161	1	WASHER M5	
5	KK015805	1	NUT M5	
6	KK015811	1	NUT M8	
7	KK029770	1	SPRING PIN D4 NS5125	
8	KK033416	1	HEX BOLT M8X16 GALV.	
9	KK199788	1	CLEVIS M12-4SQ41-70	
10	KK354325	1	FIXING BRACKET FOR TRIANGLE	
11	KK354375	1	REFLECTOR 423X423	
12	KK354462	1	REFLEX PLATE BRACKET	

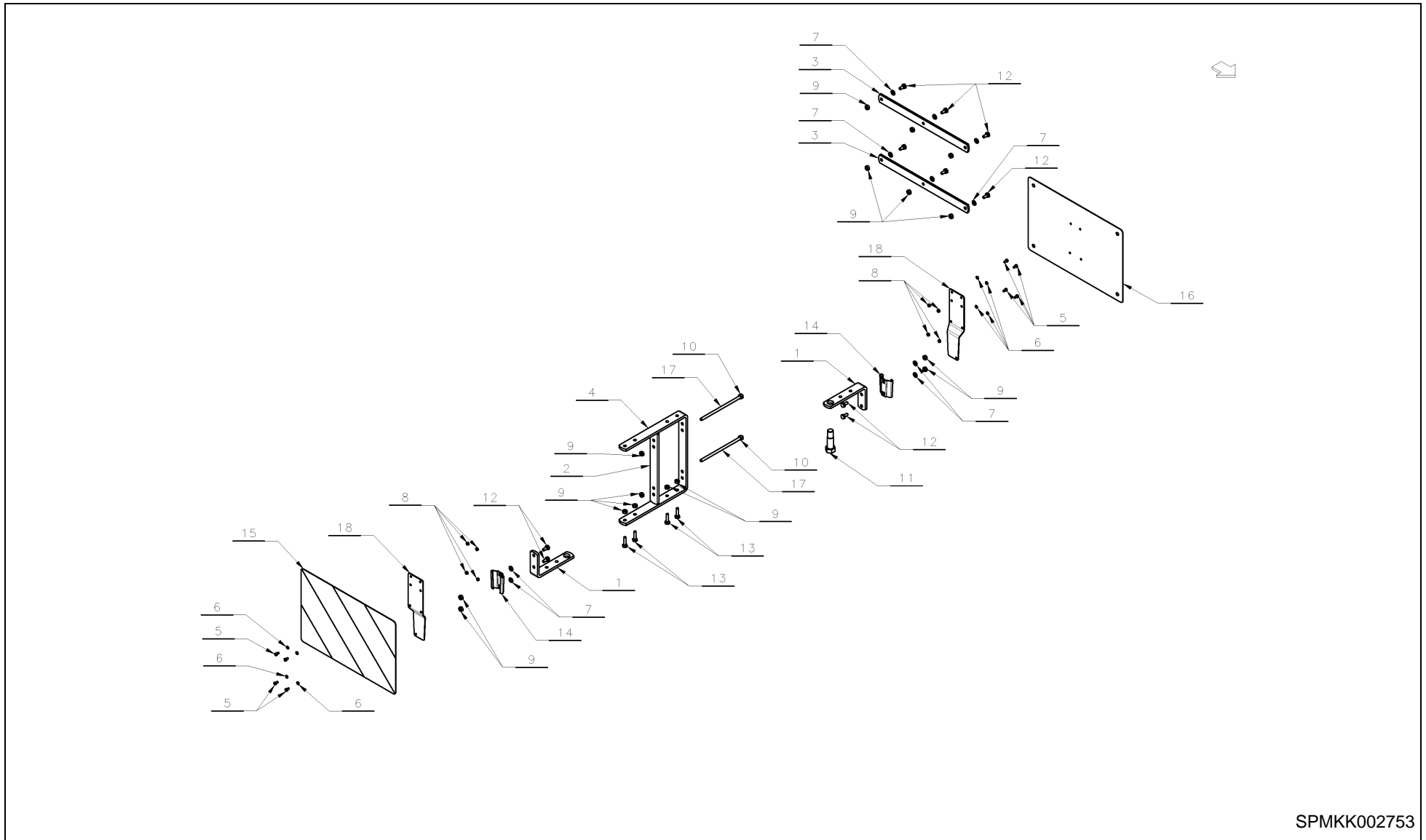


SPMKK003321

ES/LS / REFLEX (DK)



PosNo.	Part No.	Qty.	Description	Remark
1	A133561786	1	FIX FOR TRIANGLE AND SOCKET	
2	KG01067761	1	LOCK NUT M12 8	
3	KK015806	1	NUT M6	
4	KK015811	1	NUT M8	
5	KK033306	1	HEX BOLT M6X8	
6	KK033430	1	HEX BOLT M8X30 8.8	
7	KK199788	1	CLEVIS M12-4SQ41-70	
8	KK354040	1	REFLEX TRIANGLE	
9	KK354325	11	FIXING BRACKET FOR TRIANGLE	
10	KK354326	1	BACK PLATE TO TRIANGLE LIGHTS	



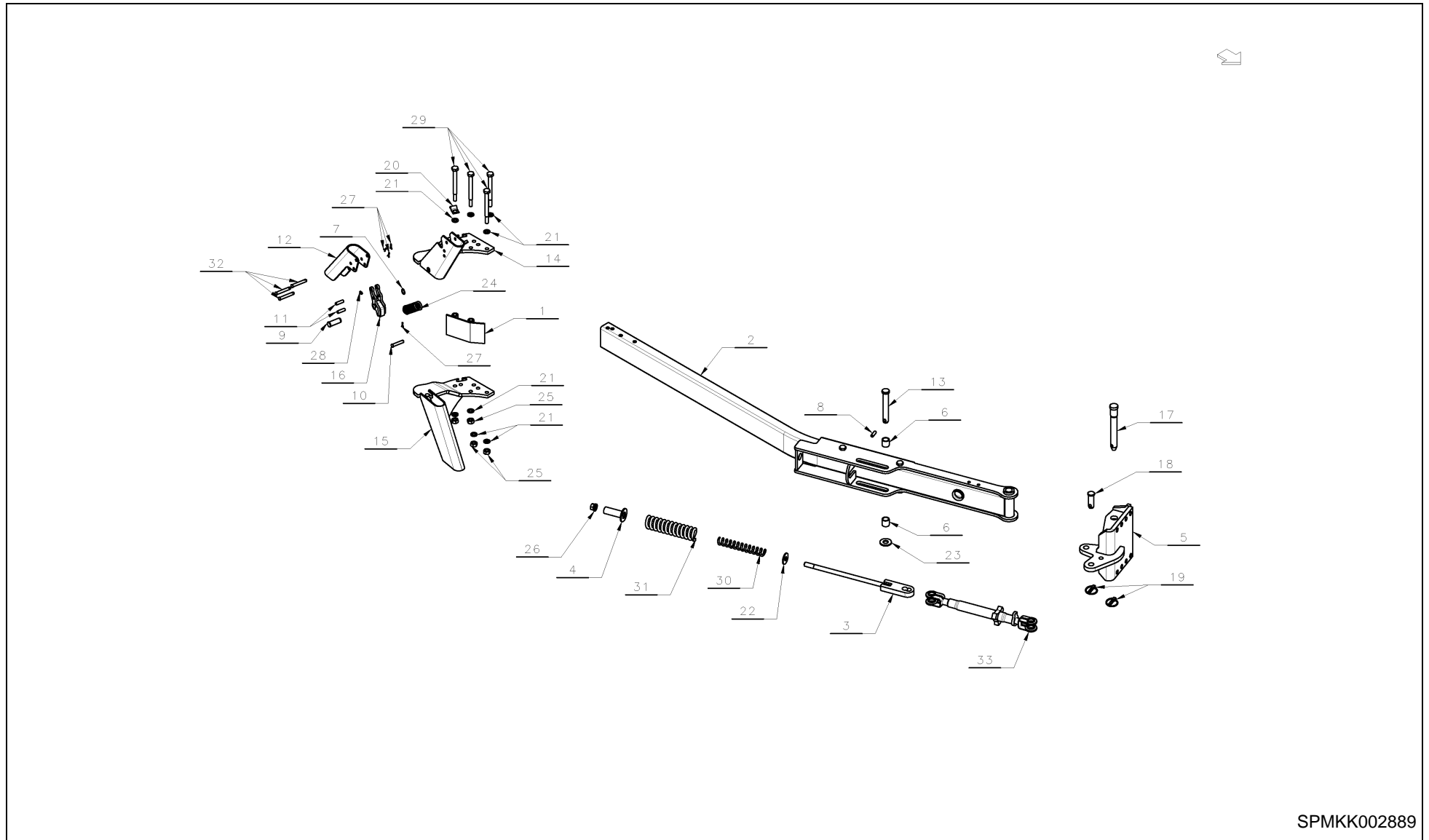
SPMKK002753

ES/LS / SIDE REFLEXES CPL



PosNo.	Part No.	Qty.	Description	Remark
1	A133562194	1	ANGLE BRACKET	
2	A133562294	1	ROD FOR REFLEX	
3	A133562394	1	EXTENSION ROD	
4	A152188494	1	BRACKET FOR REFLEX	
5	KG00467061	1	HEX. SCREW M5X10 8.8	
6	KG01267161	1	WASHER M5	
7	KK012994	1	WASHER D8.4XD16X1.6 GALV.	
8	KK015805	1	NUT M5	
9	KK015811	1	NUT M8	
10	KK016005	1	LOCK NUT M8	
11	KK032865	1	HEX BOLT M20X65 10.9	
12	KK033416	1	HEX BOLT M8X16 GALV.	
13	KK033430	1	HEX BOLT M8X30 8.8	
14	KK354325	1	FIXING BRACKET FOR TRIANGLE	
15	KK354395	1	REFLECTOR 423X282 RIGHT	
16	KK354396	1	REFLECTOR 423X282 LEFT	
17	KK354435	1	THREADED ROD M8X185	
18	KK354462	1	REFLEX PLATE BRACKET	

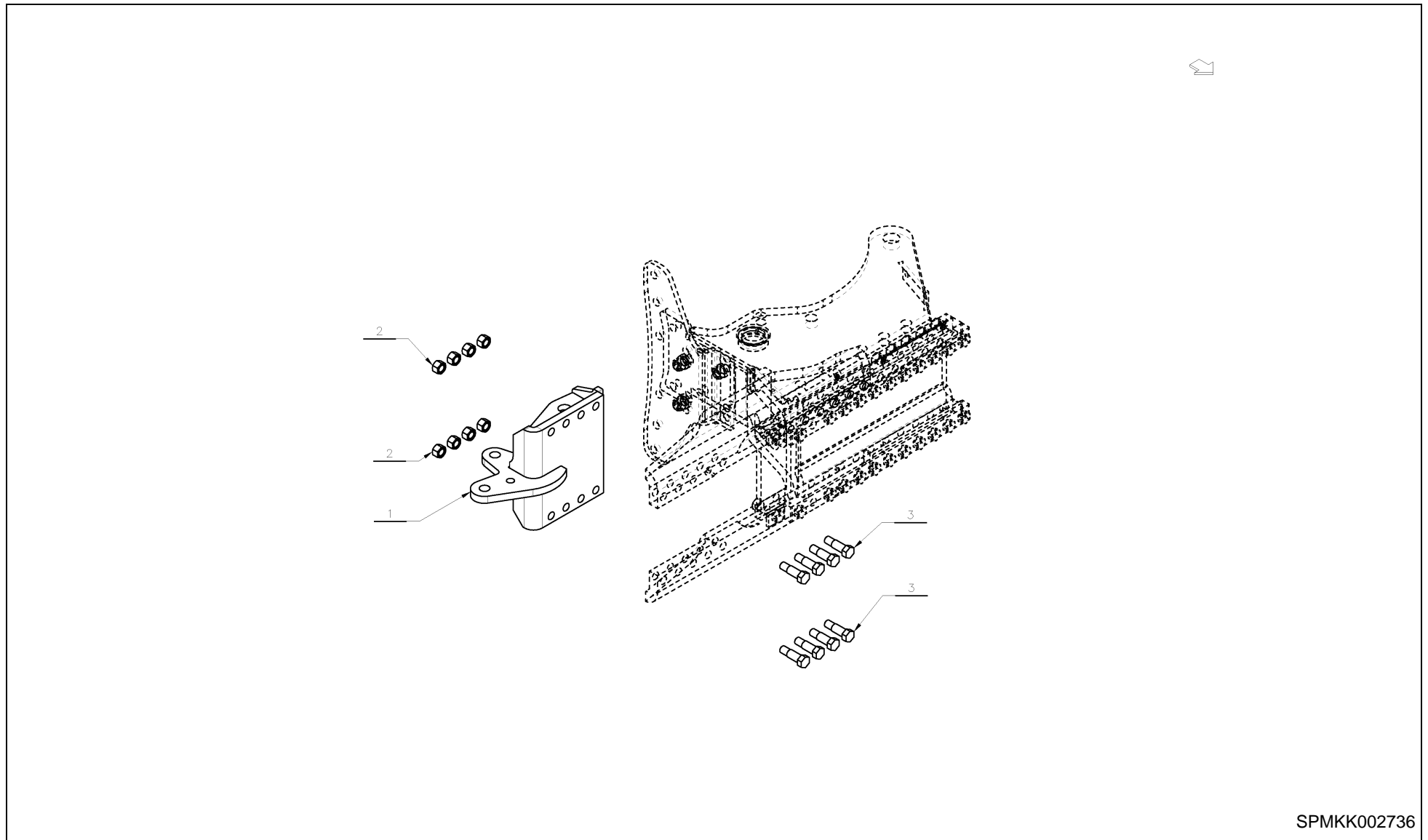
ES/LS / SOIL PACKER ARM



SPMKK002889

ES/LS / SOIL PACKER ARM

PosNo.	Part No.	Qty.	Description	Remark
1	A133490488	1	PLATE WELDED	
2	A133789594	1	PACKER ARM WE	
3	A152050794	1	BOLT WITH HEAD	
4	A152050894	1	BUSHING D22,5-D65X100	
5	A152051094	1	FIXING BRACKET	
6	A152051194	1	BUSHING D27.3-D33.8X33	
7	KG01108000	1	CIRCLIP-A 22 X 2	
8	KG01195462	1	TENSION PIN 12X40	
9	KK076318R	1	BOLT W/HEAD D22X58	
10	KK076319R	1	BOLT W/HEAD D12X58	
11	KK076320R	1	AXLE	
12	KK076716R	1	SCREEN ON PICKUP ARM 2000	
13	KK076769	1	BOLT W/HEAD D25.3X157	
14	KK076795R	1	UPPER BRACKET WELDED	
15	KK076796R	1	LOWER BRACKET WELDED	
16	KK077013R	1	HOOK FOR PICK-UP ARM	
17	KK089580	1	AXLE WITH STEP D32-254	
18	KK010315	1	BOLT W/ HEAD D25.3X60	
19	KK010700	1	PIN D12 NS 555	
20	KK012700	1	CLAMP FOR 1/4HOSE - D20	
21	KK012927	1	WASHER D17.0XD30X3	
22	KK012933	1	WASHER D20.5-D55X4	
23	KK012940	1	WASHER D25.4-D55X4.58	
24	KK013701	1	STRETCH SPRING D7.5-D40X175	
25	KK015825	1	M16 NUT	
26	KK016049	1	FLANGE NUT M20 WITH LOCK	
27	KK029715	1	SPLIT PIN D4X25	
28	KK029920	1	GREASE NIPPLE M8X1 STRAIGHT	
29	KK032718	1	HEX BOLT M16X180 10.9	
30	KK076022R	1	PRESS SPRING	
31	KK076023R	1	PRESS SPRING	
32	KK076652	1	BOLT W/HEAD D12X72	
33	KK361116	1	TURNBUCKLE 520-720	

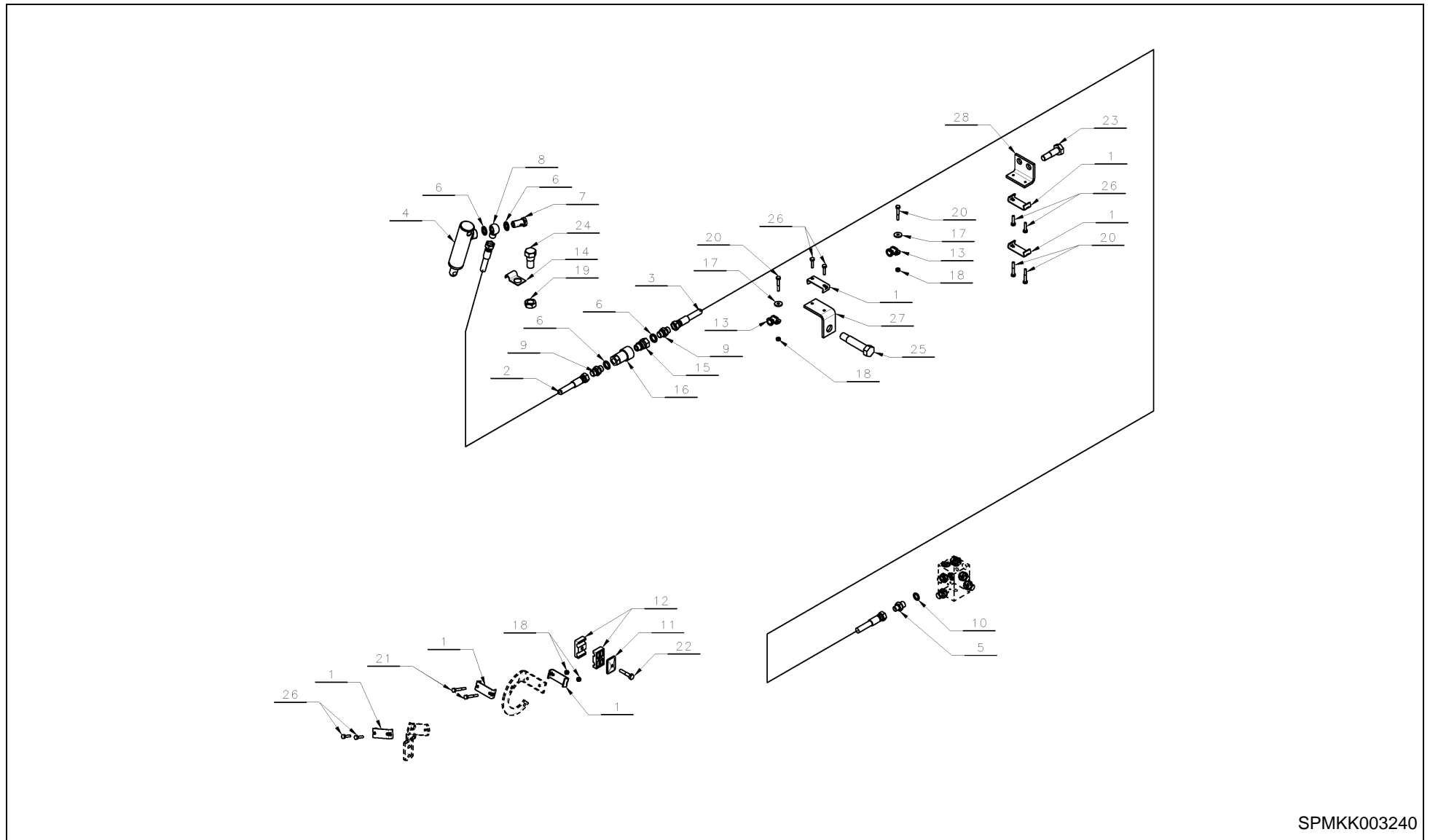


SPMKK002736

ES/LS / DRAW BAR HS-200



PosNo.	Part No.	Qty.	Description	Remark
1	A152051094	1	FIXING BRACKET	
2	KK015830	1	NUT M20	
3	KK032865	1	HEX BOLT M20X65 10.9	

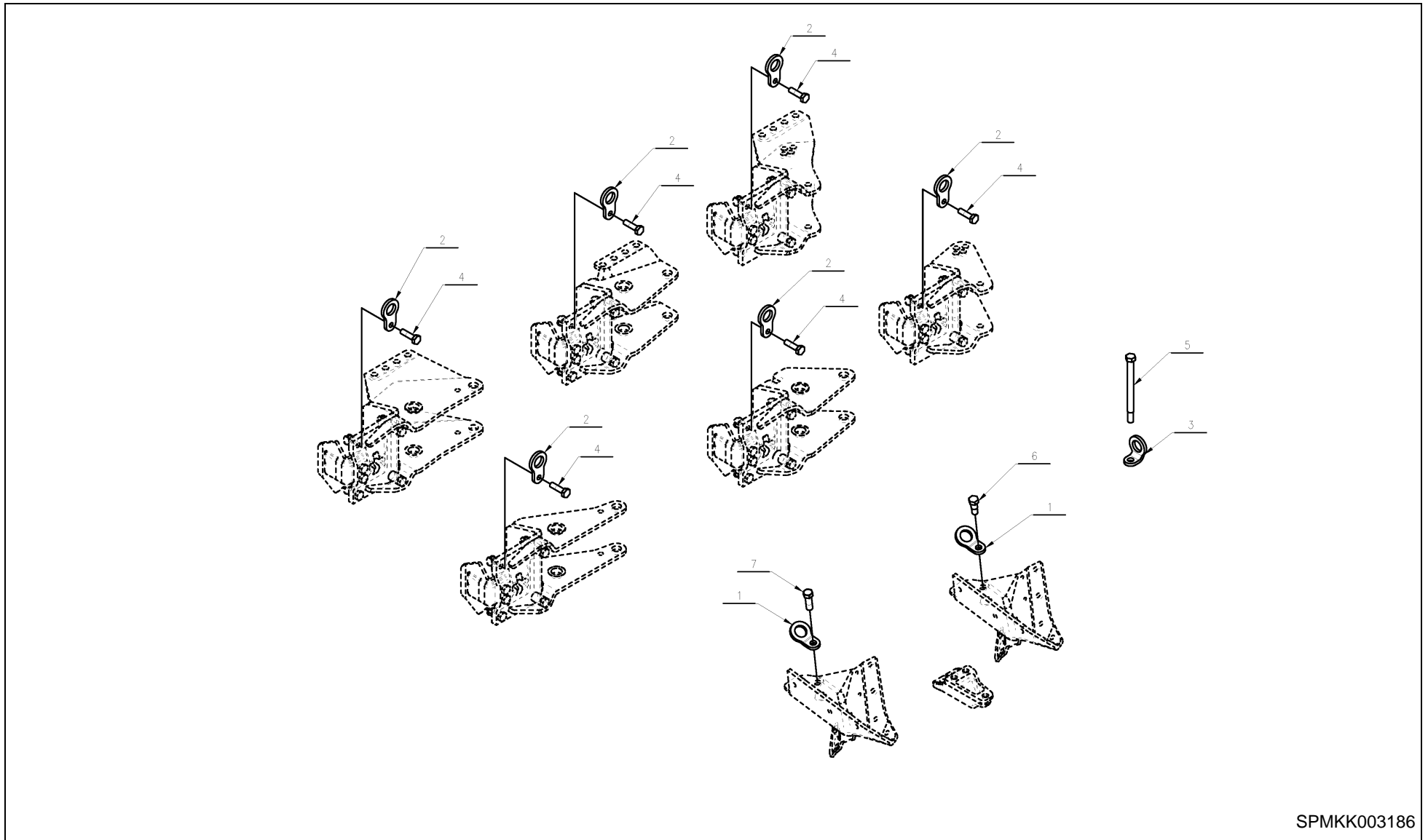


SPMKK003240

ES/LS / HYDRAULIC FOR SOIL PAKCER HS-200



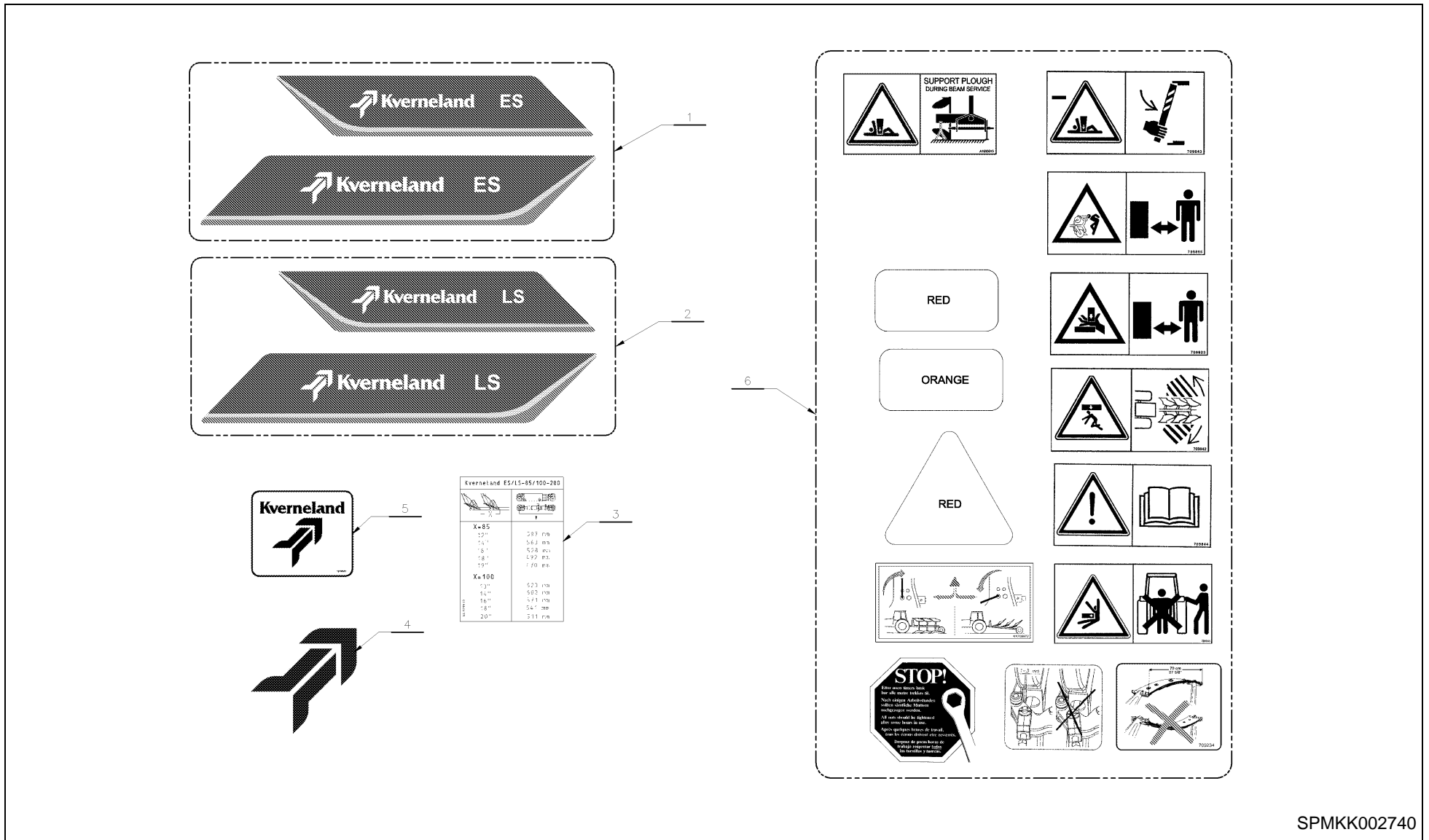
PosNo.	Part No.	Qty.	Description	Remark
1	A133816362	1	CLAMP FOR 3 X 1/4" - HOSES	
2	A152148730	1	HOSE 1/4X2750 R-SV/R-SV 2 LAYERS	
3	A152149130	1	HOSE 1/4X4000 R-SV/R-SV 2 LAYERS	
4	A152325488	1	CYLINDER D32-D20X165+75	
5	KK010867	1	THREADED COUPLING G1/4 UTV/G3/8 UTV	
6	KK011585	1	SEAL RING R 3/8(INNER D17)	
7	KK012059	1	BANJO BOLT G3/8X31	
8	KK012062	1	BANJO G3/8- SHORT-H=17	
9	KK012261	1	COUPLING 3/8-3/8	
10	KK012269	1	SEAL RING R1/4(INNER D13)	
11	KK012324	1	COVER TUBE CLAMP	
12	KK012393	1	PLASTIC PART TUBE CLAMP	
13	KK012395	1	HOSE CLAMP 1/4 RUBBER/STEEL	
14	KK012700	1	CLAMP FOR 1/4HOSE - D20	
15	KK012705	1	QUICK COUPLING 3/8 PLUGG	
16	KK012706	1	QUICK COUPLING 3/8 BASE	
17	KK012984	1	WASHER D6.6XD21X2.4	
18	KK015806	1	NUT M6	
19	KK015834	1	NUT M20	
20	KK032340	1	HEX BOLT M6X40 PARTLY THREAD	
21	KK032345	1	HEX BOLT M6X45 PARTLY THREAD	
22	KK032440	1	HEX BOLT M8 X 40 8.8	
23	KK032755	1	HEX BOLT M16X55 10.9	
24	KK032840	1	HEX BOLT M20X40 10.9	
25	KK032895	1	HEX BOLT M20X95 10.9	
26	KK033325	1	HEX BOLT M6X25 GALV.	
27	KK061947	1	BRACKET FOR 3 HOSES H=70	
28	KK061978	1	BRACKET FOR 3 HOSES H=60	



SPMKK003186

ES/LS / LIFTING BRACKETS

PosNo.	Part No.	Qty.	Description	Remark
1	A152085894	1	LIFTING POINT M20 30 DEGREES	
2	A152119294	1	LIFTING POINT M16	
3	A152257694	1	LIFTING POINT M20 90 DEGREES	For use on frame part
4	KK032760	1	HEX BOLT M16X60 10.9 W/WAX	
5	KK032836	1	HEX BOLT M20X240 10.9	For use on frame part
6	KK032850	1	HEX BOLT M20X50 10.9	For distance bracket
7	KK032860	1	HEX BOLT M20X60 10.9	



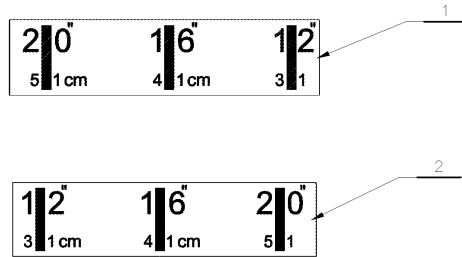
Kverneland ES/LS-85/100-280	
X=85	
12"	283 cm
14"	356 cm
16"	408 cm
18"	459 cm
19"	488 cm
X=100	
12"	323 cm
14"	383 cm
16"	443 cm
18"	503 cm
20"	511 cm

SPMKK002740

ES/LS / TRANSFERS



PosNo.	Part No.	Qty.	Description	Remark
1	A133785732	1	KIT FOR DECALS ES	
2	A133785832	1	KIT FOR DECALS LS	
3	KK729812	1	STICKER ES/LS-85/100-200	
4	KK709737	1	DECAL KVERNELAND (ARROW ONLY)	
5	KK709831	1	DECAL KVERNELAND & LOGO (ARROW)	
6	A133439630	1	STICKERS KIT SAFETY	



SPMKK002701

ES/LS / TRANSFERS



PosNo.	Part No.	Qty.	Description	Remark
1	A133420674	1	SCALE DECAL-R 12"-20"	
2	A133420774	1	SCALE DECAL-L 12"-20"	

WARNING: Cancer and Reproductive Harm - www.P65warnings.ca.gov

	WARNING AREA OF RISK Body crushing. Panic applied from above. To avoid death or serious injury. Stay clear of the articulation when the tractor is turning.		WARNING AREA OF RISK Sharp parts of the plough can be dangerous. To avoid death or serious injury. Stay a safe distance from the articulations of the machine.
	WARNING CRUSHING HAZARD Risk of death or injury. To avoid death or serious injury. Attach support before maintenance and service work start.		WARNING READ THE MANUAL The machine must not be operated until the operator's manual is fully read and understood. To avoid death or serious injury. Read the manual first.
	WARNING UNEXPECTED MOVEMENT The machine may move if the brake is open. To avoid accidents and serious injury. Close the ball valve for road travel.		WARNING STOP! Check for loose bolts and nuts. To avoid accident and serious injury. Retighten all bolts and nuts at regular intervals.
	WARNING RISK OF CRUSHING * Never reach into an area where parts are still likely to move. To avoid fatal or serious injury. Keep your hands out!		DANGER MOVABLE PARTS * Always risk of injury by stepping or holding parts. To avoid death or serious injury. Keep out of the slewing range.
	WARNING RISK OF CRUSHING Without attached support (tag), the machine can fall, even during uncoupling or after uncoupling. To avoid death or serious injury. Place support (tag) into parking position before uncoupling the machine.		DANGER AREA OF RISK Risk of death or serious injury when coupling, uncoupling or operating. To avoid death or serious injury. Keep away from this area.

1

AVERTISSEMENT: Cancer et dommages au système reproductif - www.P65warnings.ca.gov

	AVERTISSEMENT ZONE DE RISQUE Écrasement du corps. Panic appliquée du dessus. Afin d'éviter la mort ou des blessures graves. Restez à distance articulations lorsque le tracteur est en marche.		AVERTISSEMENT ZONE DE RISQUE Les zones coupantes de la charrue peuvent être dangereuses. Afin d'éviter la mort ou des blessures graves. Restez à distance articulations de la machine.
	AVERTISSEMENT RISQUE D'ÉCRASEMENT Risque de mort ou blessure grave ou mortelle. Attache le support avant le début de travaux d'entretien et de service.		AVERTISSEMENT LIRE LE MANUEL D'ENTRETIEN La machine ne doit pas être utilisée avant d'avoir lu et compris le manuel de l'utilisateur. Pour éviter des blessures graves, voire mortelles. Lire le manuel d'abord.
	AVERTISSEMENT MOVEMENT INATTENDU La machine peut sauter soudainement si le frein est ouvert. Pour éviter une blessure grave ou mortelle. Garder les mains en dehors.		AVERTISSEMENT STOP! Vérifiez les boulons et écrous. Afin d'éviter un accident ou une blessure grave. Ressermer tous les boulons et écrous à intervalles réguliers.
	AVERTISSEMENT RISQUE D'ÉCRASEMENT * Ne jamais mettre la main dans endroit où des pièces peuvent encore bouger. Pour éviter une blessure grave ou mortelle. Garder les mains en dehors.		DANGER PIÈCES MOBILES * Grand risque de blessure par pièces pivotantes ou piliants. Pour éviter une blessure grave ou mortelle. Se tenir hors de portée de toute pièce pivotante.
	AVERTISSEMENT RISQUE D'ÉCRASEMENT Sans support (tag) attaché, la machine peut tomber, même pendant le découplage ou après le découplage. Pour éviter la mort ou des blessures graves, placez le support (tag) dans la position de stationnement avant le découplage de la machine.		DANGER ZONE DANGEREUSE Risque de mort ou blessure grave ou mortelle lors du couplage ou du stationnement de la machine. Afin d'éviter toute blessure grave ou mortelle. Restez en dehors de cette zone.

2

SPMKK001797

ES/LS / STICKERS ANSI



PosNo.	Part No.	Qty.	Description	Remark
1	A133923730	1	KIT FOR ANSI STICKERS-EN	
2	A133923830	1	KIT FOR ANSI STICKERS-FR	

ES/LS / Part No Index



Part No.	Page	Pos No	Part No.	Page	Pos No	Part No.	Page	Pos No	Part No.	Page	Pos No
A100048000	61	1	A133229488	5	3	A133313698	53	1	A133341930	53	8
A100048000	62	1	A133229488	6	3	A133314598	53	2	A133381294	25	1
A100053562	20	1	A133229588	1	3	A133315530	54	1	A133381394	25	2
A133016232	7	1	A133229588	3	2	A133315730	54	2	A133381494	25	3
A133016332	7	2	A133229588	5	3	A133315830	54	3	A133381594	25	4
A133017132	7	3	A133229588	6	3	A133315930	54	4	A133381694	25	5
A133097232	1	1	A133230330	1	4	A133316030	54	5	A133381794	25	6
A133097232	6	1	A133230330	3	3	A133320330	5	10	A133381894	25	7
A133103288	14	1	A133230330	5	4	A133320430	5	10	A133381994	25	8
A133103288	15	1	A133230330	6	4	A133329388	15	7	A133382094	25	9
A133112588	14	2	A133231301	60	3	A133331988	57	1	A133382194	25	10
A133112588	15	2	A133231488	60	4	A133332788	16	1	A133382394	25	11
A133120730	13	1	A133231678	60	5	A133332888	16	2	A133382494	25	12
A133120730	14	3	A133231878	60	6	A133333288	48	1	A133386688	15	17
A133120730	15	3	A133242803	24	1	A133333388	48	2	A133389894	25	13
A133138503	15	4	A133256694	5	5	A133333588	52	1	A133389994	25	14
A133138988	15	5	A133256794	5	5	A133333688	52	2	A133390094	25	15
A133142288	15	6	A133256894	5	6	A133334788	47	1	A133390194	25	16
A133147030	7	4	A133256994	5	6	A133334888	47	2	A133390294	25	17
A133147030	8	1	A133257088	5	7	A133334988	47	3	A133390394	25	18
A133192488	59	1	A133257188	5	7	A133335088	47	4	A133390494	25	19
A133197030	60	1	A133258203	24	2	A133335188	56	1	A133390594	25	20
A133205688	59	2	A133267703	23	1	A133335288	56	2	A133390694	25	21
A133217961	1	2	A133267803	23	2	A133335394	56	3	A133390794	25	22
A133217961	3	1	A133269294	22	1	A133335494	56	4	A133390894	25	23
A133217961	5	1	A133269394	22	2	A133337530	49	1	A133391394	25	24
A133217961	6	2	A133269594	22	3	A133337530	54	6	A133391494	25	25
A133218178	5	2	A133274332	60	7	A133339998	53	3	A133391594	25	26
A133227488	14	4	A133274432	60	8	A133340730	49	2	A133391694	25	27
A133228161	14	5	A133301861	5	8	A133340730	53	4	A133391794	25	28
A133228788	60	2	A133304686	23	3	A133341430	53	5	A133397394	1	5
A133229488	1	3	A133304686	27	1	A133341530	53	6	A133397394	3	4
A133229488	3	2	A133311261	5	9	A133341730	53	7	A133397394	4	1

ES/LS / Part No Index



Part No.	Page	Pos No	Part No.	Page	Pos No	Part No.	Page	Pos No	Part No.	Page	Pos No
A133397394	5	11	A133451994	4	27	A133588688	16	8	A133816362	58	1
A133397394	6	5	A133452094	1	7	A133590430	60	9	A133816362	68	1
A133397494	1	6	A133452094	4	27	A133590530	53	9	A133816988	17	2
A133397494	3	5	A133452194	1	8	A133590630	53	10	A133849694	19	3
A133397494	4	2	A133452194	5	13	A133590730	53	11	A133858794	21	30
A133397494	5	12	A133452294	1	8	A133590830	53	12	A133858894	21	31
A133397494	6	6	A133452294	5	13	A133590930	53	13	A133873894	1	36
A133397594	23	4	A133453394	3	6	A133641194	19	2	A133873994	1	36
A133397694	23	5	A133453494	3	6	A133694094	6	7	A133890201	48	3
A133397794	23	6	A133459688	52	3	A133694194	6	7	A133890201	50	1
A133398094	23	7	A133490488	66	1	A133730894	6	8	A133890201	51	1
A133398194	23	8	A133501330	7	5	A133730994	6	8	A133890201	57	2
A133398294	23	9	A133501478	16	3	A133755188	17	1	A133900888	57	3
A133398394	23	10	A133503130	16	4	A133761594	10	1	A133900988	52	4
A133398494	23	11	A133503230	16	5	A133761694	10	2	A133903430	1	35
A133409194	23	12	A133504288	5	14	A133785732	70	1	A133903530	1	35
A133409388	23	13	A133504388	5	14	A133785832	70	2	A133917930	61	6
A133414194	27	2	A133517300	16	6	A133787894	5	15	A133917930	62	3
A133415788	20	2	A133517300	18	1	A133789594	66	2	A133923730	72	1
A133420394	20	3	A133546962	16	7	A133796830	3	43	A133923830	72	2
A133420494	28	1	A133554588	49	3	A133796930	3	43	A133939430	9	1
A133420494	29	1	A133554688	59	3	A133797030	3	44	A133939530	9	1
A133420494	30	1	A133560888	49	4	A133797130	3	44	A133949430	9	2
A133420594	28	2	A133561586	61	2	A133797230	3	45	A133949530	9	2
A133420594	29	2	A133561686	61	3	A133797330	3	45	A133991932	14	6
A133420594	30	2	A133561686	62	2	A133813763	28	3	A133993832	13	2
A133420674	71	1	A133561786	63	1	A133816062	29	3	A133993832	14	7
A133420774	71	2	A133561786	64	1	A133816062	30	3	A133993832	15	8
A133420994	32	1	A133561886	61	4	A133816262	29	4	A152001486	9	3
A133423094	27	3	A133561986	61	5	A133816262	30	4	A152001586	9	3
A133439630	70	6	A133562194	65	1	A133816362	28	4	A152001686	9	4
A133440894	19	1	A133562294	65	2	A133816362	29	5	A152001786	9	4
A133451994	1	7	A133562394	65	3	A133816362	30	5	A152028262	16	9

ES/LS / Part No Index



Part No.	Page	Pos No	Part No.	Page	Pos No	Part No.	Page	Pos No	Part No.	Page	Pos No
A152031630	9	5	A152148530	31	1	A152188494	65	4	A152234630	6	17
A152031730	9	5	A152148530	58	2	A152208130	28	6	A152248932	20	6
A152031830	9	5	A152148530	58	2	A152208130	58	4	A152249132	20	7
A152031930	9	5	A152148730	30	7	A152208130	58	4	A152257330	61	7
A152034230	9	6	A152148730	58	4	A152208130	58	5	A152257330	62	4
A152034330	9	6	A152148730	68	2	A152208230	58	4	A152257430	61	8
A152050794	66	3	A152148830	58	4	A152208230	58	5	A152257430	62	5
A152050894	66	4	A152148930	31	2	A152208230	58	5	A152257694	69	3
A152051094	66	5	A152148930	58	3	A152212501	20	4	A152264562	6	53
A152051094	67	1	A152148930	58	3	A152213001	20	5	A152264662	6	44
A152051194	66	6	A152148930	58	3	A152217432	1	10	A152269230	58	5
A152077688	1	9	A152149030	58	4	A152217532	1	11	A152269230	58	5
A152077688	3	7	A152149030	58	4	A152217632	3	9	A152325488	33	1
A152077688	5	16	A152149130	58	4	A152217732	3	10	A152325488	68	4
A152077688	6	9	A152149130	58	4	A152231330	28	7	A152329630	31	3
A152077788	1	9	A152149130	58	5	A152231330	29	9	A152331530	33	2
A152077788	3	7	A152149130	68	3	A152231330	30	10	A152374030	11	4
A152077788	6	9	A152149230	58	4	A152232732	6	11	A152374130	11	5
A152081030	9	7	A152149330	58	5	A152232832	6	11	A152376986	62	6
A152081130	9	7	A152149630	29	7	A152232932	6	12	A152377086	62	7
A152081630	9	8	A152149630	30	8	A152233032	6	12	A152383730	11	6
A152081730	9	8	A152149730	32	2	A152233132	6	13	A152383930	11	7
A152081830	9	8	A152149930	28	5	A152233232	6	13	A152401362	20	8
A152081930	9	8	A152149930	29	8	A152233332	6	14	A152401462	13	3
A152085894	69	1	A152149930	30	9	A152233432	6	14	A152403788	47	5
A152100788	14	8	A152154194	6	10	A152233530	6	15	A152404288	47	6
A152110162	57	4	A152154294	6	10	A152233630	6	16	A152404388	47	7
A152116694	3	8	A152178063	11	1	A152233730	6	17	A152404488	47	8
A152116794	3	8	A152178163	11	2	A152234130	6	15	A152426588	48	4
A152119294	69	2	A152178263	11	3	A152234230	6	15	A152426588	50	2
A152128830	62	21	A152188188	56	5	A152234330	6	16	A152426588	51	2
A152148530	29	6	A152188288	56	6	A152234430	6	16	A152426630	48	5
A152148530	30	6	A152188388	16	10	A152234530	6	17	A152426630	50	3

ES/LS / Part No Index



Part No.	Page	Pos No	Part No.	Page	Pos No	Part No.	Page	Pos No	Part No.	Page	Pos No
A152426630	51	3	KG01108000	66	7	KG01195500	28	9	KK010315	66	18
A152456030	7	6	KG01108862	13	6	KG01195500	29	10	KK010318	31	7
A152507230	10	3	KG01108862	14	11	KG01195500	30	11	KK010319	31	8
A152559388	49	5	KG01108862	15	11	KG01195600	23	15	KK010332	31	9
A152734801	13	4	KG01112200	57	5	KG01195600	52	6	KK010337	20	11
A152734801	14	9	KG01126800	19	4	KG01267161	61	11	KK010337	31	19
A152734801	15	9	KG01129300	23	14	KG01267161	62	10	KK010566	19	19
A152738462	17	3	KG01129300	39	2	KG01267161	63	4	KK010572	13	8
A152890888	28	8	KG01129300	40	2	KG01267161	65	6	KK010572	14	13
KG00017500	13	5	KG01129300	41	2	KG01477300	49	12	KK010572	15	19
KG00017500	14	10	KG01129300	42	2	KG01477300	55	1	KK010606	19	20
KG00017500	15	10	KG01129800	13	7	KG01490200	49	13	KK010650	23	21
KG00467061	63	2	KG01129862	14	12	KG01490200	55	2	KK010700	19	21
KG00467061	65	5	KG01129862	15	12	KK010008	31	5	KK010700	20	12
KG00477361	49	6	KG01187862	19	5	KK010042	31	6	KK010700	22	16
KG00933400	36	1	KG01188162	48	6	KK010096	49	14	KK010700	31	10
KG00933400	38	1	KG01188162	49	11	KK010096	55	4	KK010700	52	7
KG00933400	39	1	KG01188162	50	4	KK010149	23	20	KK010700	57	7
KG00933400	40	1	KG01188162	51	4	KK010149	28	10	KK010700	66	19
KG00933400	42	1	KG01189400	48	7	KK010149	29	11	KK010702	59	4
KG00934300	36	2	KG01189400	50	5	KK010149	30	12	KK010702	61	12
KG00934400	35	1	KG01189400	51	5	KK010152	20	10	KK010702	62	11
KG00936400	41	1	KG01189400	57	6	KK010152	31	6	KK010806R	49	16
KG01050561	49	7	KG01189462	10	4	KK010158	19	17	KK010806R	55	3
KG01050761	49	8	KG01189462	50	6	KK010168	26	3	KK010867	11	8
KG01050961	49	9	KG01189462	51	6	KK010260	48	8	KK010867	30	13
KG01067761	61	9	KG01189662	10	5	KK010260	49	15	KK010867	68	5
KG01067761	62	8	KG01191962	20	9	KK010260	50	7	KK010885	22	17
KG01067761	63	3	KG01191962	52	5	KK010260	51	7	KK010958	19	22
KG01067761	64	2	KG01193962	10	6	KK010278	22	14	KK011061	57	8
KG01067961	49	10	KG01195400	56	7	KK010288	22	15	KK011122	50	8
KG01070900	61	10	KG01195462	31	4	KK010293	19	18	KK011122	51	8
KG01070900	62	9	KG01195462	66	8	KK010315	56	8	KK011167	49	17

ES/LS / Part No Index



Part No.	Page	Pos No	Part No.	Page	Pos No	Part No.	Page	Pos No	Part No.	Page	Pos No
KK011167	53	16	KK011596	31	12	KK012059	29	19	KK012158	11	19
KK011167	55	5	KK011606R	21	1	KK012059	30	17	KK012158	28	16
KK011223R	23	16	KK011614	47	9	KK012059	31	14	KK012158	29	20
KK011223R	39	3	KK011614	56	9	KK012059	68	7	KK012158	30	21
KK011223R	40	3	KK011615	56	10	KK012062	29	16	KK012158	31	16
KK011223R	41	3	KK011628	57	11	KK012062	30	18	KK012158	58	6
KK011223R	42	3	KK011629	57	12	KK012062	31	15	KK012173	11	20
KK011262	19	23	KK011632	26	4	KK012062	68	8	KK012174	11	21
KK011262	20	13	KK011633	50	9	KK012063	43	12	KK012261	28	17
KK011270	57	9	KK011633	51	9	KK012063	44	17	KK012261	29	21
KK011271	57	10	KK011750	13	9	KK012063	45	17	KK012261	30	22
KK011303	53	17	KK011750	14	14	KK012063	46	19	KK012261	32	5
KK011305	53	18	KK011750	15	20	KK012064	43	13	KK012261	43	16
KK011564	11	9	KK011775	44	1	KK012064	44	18	KK012261	44	21
KK011565	11	10	KK011776	44	2	KK012064	45	18	KK012261	45	21
KK011565	45	15	KK011866	13	10	KK012064	46	20	KK012261	46	23
KK011565	46	17	KK011866	14	15	KK012065	11	16	KK012261	57	14
KK011567	11	11	KK011866	15	21	KK012078	28	15	KK012261	58	7
KK011585	11	12	KK011890	19	24	KK012078	29	17	KK012261	68	9
KK011585	28	11	KK011891	19	25	KK012078	30	19	KK012264	11	22
KK011585	29	12	KK011939	57	13	KK012080	29	18	KK012269	11	23
KK011585	30	14	KK012010	37	1	KK012082	29	19	KK012269	43	17
KK011585	31	11	KK012014	44	3	KK012082	30	20	KK012269	44	22
KK011585	32	3	KK012014	46	1	KK012095	43	14	KK012269	45	22
KK011585	43	11	KK012050	11	14	KK012095	44	19	KK012269	46	24
KK011585	44	16	KK012056	28	13	KK012095	45	19	KK012269	68	10
KK011585	45	16	KK012056	29	14	KK012095	46	21	KK012284	11	24
KK011585	46	18	KK012056	30	16	KK012122	43	15	KK012285	11	25
KK011585	68	6	KK012056	31	13	KK012122	44	20	KK012286	11	26
KK011587	11	13	KK012056	32	4	KK012122	45	20	KK012293	11	27
KK011596	28	12	KK012059	11	15	KK012122	46	22	KK012310	11	28
KK011596	29	13	KK012059	28	14	KK012128	11	17	KK012319	29	22
KK011596	30	15	KK012059	29	15	KK012157	11	18	KK012319	30	23

ES/LS / Part No Index



Part No.	Page	Pos No	Part No.	Page	Pos No	Part No.	Page	Pos No	Part No.	Page	Pos No
KK012324	68	11	KK012750	11	29	KK012940	24	4	KK013105	60	10
KK012343	43	1	KK012906	16	11	KK012940	47	11	KK013228R	1	15
KK012343	44	4	KK012914	16	12	KK012940	66	23	KK013228R	3	12
KK012343	45	1	KK012916	50	10	KK012951	22	18	KK013228R	5	20
KK012343	46	2	KK012916	51	10	KK012955	50	12	KK013228R	6	21
KK012393	68	12	KK012919	1	12	KK012955	51	12	KK013234R	1	16
KK012395	57	15	KK012919	4	18	KK012956	50	13	KK013234R	3	13
KK012395	58	8	KK012919	5	17	KK012956	51	13	KK013234R	5	21
KK012395	68	13	KK012919	6	18	KK012960	15	13	KK013234R	6	22
KK012548	28	18	KK012919	49	18	KK012978	19	26	KK013274	53	14
KK012548	29	23	KK012922	2	-	KK012978	20	14	KK013279	53	15
KK012548	30	24	KK012922	2	-	KK012979R	19	27	KK013315	13	11
KK012670	57	16	KK012922	11	30	KK012984	58	10	KK013315	14	16
KK012700	66	20	KK012922	23	22	KK012984	68	17	KK013315	15	14
KK012700	68	14	KK012922	47	10	KK012988	45	23	KK013332R	1	17
KK012705	68	15	KK012922	49	19	KK012988	46	25	KK013332R	3	14
KK012706	68	16	KK012922	55	6	KK012994	65	7	KK013332R	4	3
KK012707	32	6	KK012927	1	13	KK012997	2	-	KK013332R	5	22
KK012707	58	9	KK012927	2	-	KK012997	2	-	KK013332R	6	23
KK012723	29	24	KK012927	2	-	KK013001	4	19	KK013332R	8	2
KK012723	30	25	KK012927	5	18	KK013001	6	20	KK013333	1	18
KK012729	29	25	KK012927	11	31	KK013004	50	14	KK013333	3	15
KK012729	31	17	KK012927	66	21	KK013004	51	14	KK013333	6	24
KK012730	57	17	KK012929	1	14	KK013005	56	11	KK013346	1	19
KK012740R	28	19	KK012929	3	11	KK013009	12	1	KK013346	3	16
KK012740R	29	26	KK012929	5	19	KK013062	19	28	KK013346	5	23
KK012740R	43	2	KK012929	6	19	KK013064	19	29	KK013346	6	25
KK012741R	30	26	KK012931	48	9	KK013066	38	2	KK013361	1	20
KK012741R	44	5	KK012931	50	11	KK013066	39	4	KK013361	3	17
KK012742R	29	27	KK012931	51	11	KK013066	42	4	KK013361	5	24
KK012742R	45	2	KK012931	57	18	KK013067	35	2	KK013361	6	26
KK012743R	30	27	KK012933	66	22	KK013082	40	4	KK013385	3	17
KK012743R	46	3	KK012940	23	23	KK013105	53	19	KK013500	31	18

ES/LS / Part No Index



Part No.	Page	Pos No	Part No.	Page	Pos No	Part No.	Page	Pos No	Part No.	Page	Pos No
KK013542	58	11	KK015806	64	3	KK015825	2	-	KK015830	26	6
KK013549	58	12	KK015806	68	18	KK015825	2	-	KK015830	27	5
KK013551	45	3	KK015811	63	6	KK015825	2	-	KK015830	47	13
KK013551	46	4	KK015811	64	4	KK015825	2	-	KK015830	48	12
KK013588	11	32	KK015811	65	9	KK015825	2	-	KK015830	50	17
KK013627	36	3	KK015813	3	18	KK015825	3	19	KK015830	56	13
KK013630	11	33	KK015813	5	25	KK015825	3	25	KK015830	57	21
KK013636	11	34	KK015813	6	27	KK015825	4	21	KK015830	59	5
KK013637	11	35	KK015813	11	42	KK015825	5	27	KK015830	67	2
KK013638	11	36	KK015813	16	13	KK015825	6	29	KK015834	1	22
KK013639	11	37	KK015817	2	-	KK015825	12	7	KK015834	2	-
KK013645	43	3	KK015817	2	-	KK015825	16	15	KK015834	2	-
KK013645	44	6	KK015817	2	-	KK015825	17	4	KK015834	2	-
KK013645	45	4	KK015817	2	-	KK015825	18	6	KK015834	2	-
KK013645	46	5	KK015817	2	-	KK015825	22	19	KK015834	2	-
KK013680	28	20	KK015817	2	-	KK015825	23	24	KK015834	2	-
KK013692	11	38	KK015817	2	-	KK015825	26	5	KK015834	2	-
KK013693	11	39	KK015817	2	-	KK015825	27	4	KK015834	2	-
KK013694	11	40	KK015817	6	28	KK015825	47	12	KK015834	2	-
KK013695	11	41	KK015817	10	7	KK015825	48	11	KK015834	2	-
KK013700	50	15	KK015817	16	14	KK015825	50	16	KK015834	2	-
KK013700	51	15	KK015817	19	30	KK015825	51	16	KK015834	2	-
KK013701	66	24	KK015817	48	10	KK015825	52	8	KK015834	3	20
KK013773	57	19	KK015818	4	20	KK015825	56	12	KK015834	5	28
KK013784	32	7	KK015818	5	26	KK015825	61	13	KK015834	6	30
KK013863	41	4	KK015825	1	21	KK015825	62	12	KK015834	61	14
KK015805	63	5	KK015825	2	-	KK015825	66	25	KK015834	68	19
KK015805	65	8	KK015825	2	-	KK015830	10	8	KK015841	16	16
KK015806	28	21	KK015825	2	-	KK015830	12	8	KK015841	21	3
KK015806	29	28	KK015825	2	-	KK015830	14	17	KK015841	26	7
KK015806	30	28	KK015825	2	-	KK015830	21	2	KK015841	47	14
KK015806	57	20	KK015825	2	-	KK015830	22	20	KK015841	52	9
KK015806	58	13	KK015825	2	-	KK015830	23	25	KK015841	56	14

ES/LS / Part No Index



Part No.	Page	Pos No	Part No.	Page	Pos No	Part No.	Page	Pos No	Part No.	Page	Pos No
KK016001	52	10	KK016063R	39	5	KK029920	48	15	KK032440	20	19
KK016004	13	12	KK016063R	40	5	KK029920	49	21	KK032440	68	22
KK016004	14	18	KK016063R	41	5	KK029920	50	20	KK032470	20	20
KK016004	15	22	KK016064	20	16	KK029920	51	18	KK032590	11	44
KK016005	20	15	KK016586	34	1	KK029920	52	13	KK032607	48	17
KK016005	65	10	KK016598	38	3	KK029920	53	20	KK032640	52	14
KK016006	27	6	KK016598	39	6	KK029920	55	8	KK032650	61	15
KK016007	10	9	KK016598	40	6	KK029920	57	23	KK032650	62	13
KK016010	55	7	KK016598	42	5	KK029920	60	11	KK032655	10	13
KK016012	10	10	KK016599	38	4	KK029920	66	28	KK032655	61	16
KK016012	12	9	KK016599	39	7	KK029927	21	5	KK032655	62	14
KK016012	14	19	KK016616	41	11	KK031416	48	16	KK032660	23	27
KK016012	15	23	KK016630	37	2	KK031905	1	24	KK032665	10	14
KK016012	16	17	KK016631	35	3	KK031905	3	22	KK032704	23	28
KK016012	48	13	KK029715	66	27	KK031905	5	31	KK032714	47	15
KK016012	52	11	KK029718	50	19	KK031905	6	33	KK032718	66	29
KK016013	5	29	KK029718	51	17	KK031909	1	25	KK032719	56	15
KK016013	27	7	KK029727	10	11	KK031909	3	23	KK032725	1	26
KK016015	1	23	KK029727	11	43	KK031909	5	32	KK032725	3	24
KK016015	3	21	KK029770	63	7	KK031909	6	34	KK032725	5	33
KK016015	5	30	KK029773	23	17	KK032001	42	11	KK032725	6	35
KK016015	6	31	KK029918	23	26	KK032002	37	7	KK032725	19	32
KK016022	12	10	KK029918	39	13	KK032040	38	10	KK032725	23	29
KK016022	49	20	KK029918	40	12	KK032050	20	18	KK032725	62	15
KK016031	13	13	KK029918	41	12	KK032110	33	3	KK032728	47	16
KK016038	6	32	KK029918	42	10	KK032330	28	22	KK032735	1	27
KK016038	52	12	KK029920	10	12	KK032330	29	29	KK032735	4	22
KK016045	12	11	KK029920	13	14	KK032330	30	29	KK032735	19	33
KK016049	12	12	KK029920	14	20	KK032330	57	24	KK032735	20	21
KK016049	48	14	KK029920	15	24	KK032340	58	14	KK032735	51	19
KK016049	50	18	KK029920	19	31	KK032340	68	20	KK032735	61	17
KK016049	57	22	KK029920	20	17	KK032345	58	15	KK032736	23	18
KK016049	66	26	KK029920	21	4	KK032345	68	21	KK032736	24	3

ES/LS / Part No Index



Part No.	Page	Pos No	Part No.	Page	Pos No	Part No.	Page	Pos No	Part No.	Page	Pos No
KK032740	1	28	KK032760	27	8	KK032824	48	21	KK032870	21	6
KK032740	6	37	KK032760	69	4	KK032824	57	25	KK032870	22	24
KK032740	47	17	KK032762	12	13	KK032830	13	15	KK032880	21	7
KK032740	49	22	KK032765	1	28	KK032830	23	33	KK032885	15	28
KK032740	50	21	KK032765	2	-	KK032836	47	21	KK032885	21	8
KK032740	51	20	KK032765	2	-	KK032836	56	18	KK032885	59	7
KK032745	2	-	KK032765	3	26	KK032836	69	5	KK032890	12	16
KK032745	2	-	KK032765	5	35	KK032839	23	34	KK032890	15	29
KK032745	26	8	KK032765	6	37	KK032840	10	15	KK032890	21	9
KK032745	47	18	KK032765	47	19	KK032840	13	16	KK032895	21	10
KK032750	2	-	KK032765	52	15	KK032840	15	26	KK032895	68	25
KK032750	2	-	KK032765	56	16	KK032840	68	24	KK032900	48	24
KK032750	2	-	KK032770	22	21	KK032842	47	22	KK032920	56	19
KK032750	2	-	KK032775	1	28	KK032845	12	14	KK032921	26	13
KK032750	2	-	KK032775	3	26	KK032845	26	12	KK032925	47	23
KK032750	2	-	KK032775	5	35	KK032845	48	22	KK032925	56	20
KK032750	2	-	KK032775	6	37	KK032845	50	23	KK032943	47	24
KK032750	2	-	KK032775	23	31	KK032845	57	26	KK032950	23	36
KK032750	3	25	KK032780	22	21	KK032845	59	6	KK032950	24	5
KK032750	5	34	KK032780	48	18	KK032850	15	27	KK032950	47	25
KK032750	6	36	KK032794	26	10	KK032850	49	23	KK032956	22	25
KK032750	50	22	KK032795	18	7	KK032850	69	6	KK032970	23	37
KK032754	26	9	KK032795	23	32	KK032855	12	14	KK032970	24	6
KK032755	1	28	KK032803	14	21	KK032855	23	35	KK032980	23	38
KK032755	3	26	KK032803	15	25	KK032855	50	24	KK032980	24	7
KK032755	4	23	KK032805	22	23	KK032860	10	16	KK032980	52	16
KK032755	5	35	KK032805	48	19	KK032860	12	14	KK032995	21	11
KK032755	6	37	KK032807	22	22	KK032860	69	7	KK033006R	16	18
KK032755	23	30	KK032811	48	20	KK032865	12	15	KK033006R	18	3
KK032755	62	16	KK032820	26	11	KK032865	22	24	KK033007	3	27
KK032755	68	23	KK032822	47	20	KK032865	48	23	KK033007	6	38
KK032760	11	45	KK032822	56	17	KK032865	65	11	KK033007	16	19
KK032760	17	5	KK032824	22	23	KK032865	67	3	KK033016	5	36

ES/LS / Part No Index



Part No.	Page	Pos No	Part No.	Page	Pos No	Part No.	Page	Pos No	Part No.	Page	Pos No
KK033100R	1	29	KK033416	57	27	KK050373	4	25	KK061899	48	25
KK033100R	3	28	KK033416	63	8	KK050374	4	25	KK061899	49	25
KK033100R	4	4	KK033416	65	12	KK053090R	1	31	KK061899	50	26
KK033100R	5	37	KK033430	64	6	KK053090R	3	31	KK061899	51	21
KK033100R	6	39	KK033430	65	13	KK053090R	4	6	KK061899	56	21
KK033107R	1	30	KK033516	28	24	KK053090R	5	42	KK061943	29	33
KK033107R	4	5	KK033516	29	32	KK053090R	6	43	KK061943	30	33
KK033107R	6	40	KK033516	30	32	KK053330	4	25	KK061947	68	27
KK033108R	3	29	KK033520	32	8	KK053340	4	7	KK061978	28	25
KK033108R	5	38	KK033630	19	35	KK053387R	1	32	KK061978	29	34
KK033109	2	-	KK033630	49	24	KK053390	4	25	KK061978	30	34
KK033109	2	-	KK033670	50	25	KK053391	4	26	KK061978	68	28
KK033109	2	-	KK034228	4	24	KK053392R	4	7	KK063090R	1	31
KK033109	2	-	KK034228	18	8	KK056062	18	9	KK063090R	3	31
KK033109	2	-	KK034251	16	20	KK056083R	18	4	KK063090R	4	6
KK033109	2	-	KK034446	16	21	KK056856R	18	4	KK063090R	5	42
KK033109	2	-	KK034755	16	22	KK05706388	10	22	KK063090R	6	43
KK033109	2	-	KK034851	16	23	KK05706488	10	23	KK063091R	1	34
KK033109	5	39	KK034866	16	24	KK05706588	10	24	KK063091R	3	33
KK033111	5	40	KK035020R	10	17	KK05706688	10	25	KK063091R	5	45
KK033116	3	30	KK035021R	10	18	KK05706788	10	26	KK063091R	6	46
KK033116	6	41	KK035025	27	9	KK05706888	10	27	KK063092R	1	34
KK033117	6	42	KK035028	13	17	KK057089	10	28	KK063092R	3	33
KK033119	5	41	KK035028	14	22	KK060108	10	29	KK063092R	5	45
KK033306	64	5	KK035028	15	15	KK060109	10	30	KK063092R	6	46
KK033321	29	30	KK035031R	13	18	KK060221	20	22	KK063388R	1	32
KK033321	30	30	KK035072R	12	2	KK060703	10	31	KK063801R	1	45
KK033325	28	23	KK035149	8	3	KK060709	10	32	KK063801R	2	-
KK033325	29	31	KK035165	10	19	KK061280R	10	33	KK063801R	2	-
KK033325	30	31	KK035175	52	17	KK061291	10	34	KK063801R	2	-
KK033325	58	16	KK035209	10	20	KK061515	12	18	KK063801R	2	-
KK033325	68	26	KK035210	10	21	KK061637R	21	12	KK063801R	5	43
KK033416	19	34	KK035215	12	17	KK061637R	26	1	KK063806R	1	45

ES/LS / Part No Index



Part No.	Page	Pos No	Part No.	Page	Pos No	Part No.	Page	Pos No	Part No.	Page	Pos No
KK063806R	2	-	KK066810R	18	2	KK070599	2	12	KK07300286	1	33
KK063806R	2	-	KK066830R	18	4	KK070653	16	29	KK07300286	4	8
KK063806R	5	43	KK066831R	18	2	KK070805	56	22	KK07300386	1	33
KK063806R	6	44	KK066832	18	10	KK071207R	12	3	KK07300386	4	8
KK064058R	49	26	KK066860	18	5	KK071208R	12	4	KK07300486	1	33
KK064058R	50	27	KK066868R	16	25	KK071209R	12	5	KK07300486	4	8
KK064058R	51	22	KK066869R	16	26	KK071256	26	14	KK07300486	5	44
KK064078R	49	27	KK066880R	16	27	KK071259	21	13	KK07300486	6	45
KK064079R	50	28	KK066881R	16	28	KK071259	26	15	KK07300586	1	33
KK064079R	51	23	KK067016R	10	35	KK071274	12	19	KK07300586	4	8
KK064086R	49	28	KK067025R	10	36	KK071275	12	20	KK07300586	5	44
KK064086R	50	29	KK067026R	10	37	KK071281	12	21	KK07300586	6	45
KK064086R	51	24	KK067031R	10	38	KK071413	47	26	KK07300686	1	33
KK064087R	49	29	KK067031R	19	6	KK071664	23	39	KK07300686	4	8
KK064087R	50	30	KK067039R	10	39	KK071664	26	16	KK07300686	5	44
KK064087R	51	25	KK067051	10	40	KK071711R	27	10	KK07300686	6	45
KK064088	49	30	KK067059R	10	41	KK071712R	27	11	KK07300786	1	33
KK064089R	49	31	KK067075	10	42	KK071713	27	12	KK07300786	4	8
KK064089R	50	31	KK067076	10	43	KK071714R	27	13	KK07300786	5	44
KK064319R	22	4	KK067077	10	44	KK071729	49	33	KK07300786	6	45
KK064320R	22	4	KK067080R	10	45	KK071793R	22	5	KK07300886	1	33
KK064321R	22	26	KK067083	11	46	KK071794	22	27	KK07300886	6	45
KK064321R	22	4	KK067088	11	47	KK071904R	19	7	KK07300986	1	33
KK064323R	22	26	KK067090R	10	46	KK071942R	21	14	KK07300986	6	45
KK064343R	22	5	KK067092R	10	47	KK072455	55	9	KK073030R	4	9
KK064360	22	6	KK070390	2	8	KK072458R	55	10	KK073031R	4	9
KK064370R	22	26	KK070391	2	7	KK072617R	21	15	KK07304286	4	10
KK064370R	22	4	KK070394	2	4	KK072618R	21	16	KK07305486	3	32
KK066175R	13	19	KK070395	2	3	KK072634R	22	29	KK07305586	3	32
KK066178	15	30	KK070459	49	32	KK07300086	1	33	KK07305686	3	32
KK066182	13	20	KK070509	2	9	KK07300086	4	8	KK07305786	3	32
KK066185	13	21	KK070519	2	10	KK07300186	1	33	KK07308086	3	32
KK066190R	13	22	KK070589	2	11	KK07300186	4	8	KK07308186	3	32

ES/LS / Part No Index



Part No.	Page	Pos No	Part No.	Page	Pos No	Part No.	Page	Pos No	Part No.	Page	Pos No
KK073091R	1	34	KK073300R	6	48	KK073634R	3	38	KK073831R	1	45
KK073091R	3	33	KK073301R	1	37	KK073634R	5	53	KK073831R	6	53
KK073091R	5	45	KK073301R	3	35	KK073634R	6	52	KK073843R	4	16
KK073091R	6	46	KK073301R	5	47	KK073635R	1	43	KK073844R	4	16
KK073092R	1	34	KK073301R	6	48	KK073635R	3	38	KK073845R	4	14
KK073092R	3	33	KK073310R	1	38	KK073635R	5	53	KK074198R	22	28
KK073092R	5	45	KK073311R	1	38	KK073635R	6	52	KK074319	20	23
KK073092R	6	46	KK073350R	5	48	KK073800R	1	44	KK074319	23	40
KK07310294	4	11	KK073406R	1	39	KK073800R	2	-	KK074319	27	14
KK07310394	4	11	KK073406R	4	13	KK073800R	2	-	KK074332	22	28
KK073104	4	11	KK073406R	5	49	KK073800R	2	-	KK074354R	22	29
KK073105	4	11	KK073407R	1	39	KK073800R	2	-	KK074395R	22	26
KK073230R	3	34	KK073407R	4	13	KK073800R	5	54	KK074396R	22	26
KK073231R	3	34	KK073407R	5	49	KK073801R	1	44	KK074397R	22	6
KK073250R	1	35	KK073411R	1	40	KK073801R	2	-	KK074744	26	17
KK073250R	4	12	KK073411R	4	13	KK073801R	2	-	KK074765	26	18
KK073251R	1	35	KK073411R	5	50	KK073801R	2	-	KK074839	50	32
KK073251R	4	12	KK073412R	1	40	KK073801R	2	-	KK074841R	52	18
KK073256R	1	35	KK073412R	4	13	KK073801R	5	54	KK074862R	52	19
KK073256R	5	46	KK073412R	5	50	KK073803R	1	45	KK074865	52	20
KK073256R	6	47	KK073614R	1	41	KK073803R	2	-	KK074866R	52	21
KK073257R	1	35	KK073614R	3	36	KK073803R	2	-	KK074867R	50	33
KK073257R	5	46	KK073614R	5	51	KK073807R	1	44	KK074867R	51	26
KK073257R	6	47	KK073614R	6	50	KK073807R	2	-	KK074867R	57	28
KK07328094	1	36	KK073615R	1	42	KK073807R	2	-	KK074873	50	34
KK07328194	1	36	KK073615R	3	37	KK073808R	1	44	KK074874R	50	35
KK07328694	1	36	KK073615R	5	52	KK073808R	2	-	KK074874R	51	27
KK07328794	1	36	KK073615R	6	51	KK073808R	2	-	KK074875	52	22
KK07329094	1	36	KK073616R	1	42	KK073815R	4	14	KK074876	50	36
KK07329194	1	36	KK073616R	3	37	KK073817R	4	15	KK074876	51	28
KK073300R	1	37	KK073616R	5	52	KK073818R	4	16	KK074884	56	23
KK073300R	3	35	KK073616R	6	51	KK073819R	4	16	KK074885	56	24
KK073300R	5	47	KK073634R	1	43	KK073830R	1	45	KK074890R	56	25

ES/LS / Part No Index



Part No.	Page	Pos No	Part No.	Page	Pos No	Part No.	Page	Pos No	Part No.	Page	Pos No
KK074893	52	23	KK076812R	16	30	KK081580R	22	9	KK083211R	3	39
KK074902	26	19	KK076813R	16	31	KK081581R	22	10	KK083212R	3	40
KK074912	26	20	KK077013R	66	16	KK081583R	22	11	KK083213R	3	41
KK074913	26	21	KK079063	52	24	KK081588	20	26	KK083214R	3	42
KK074936	15	31	KK079596	23	42	KK081590	20	27	KK083215R	3	43
KK075880	23	41	KK079596	24	8	KK081597	20	28	KK083216R	3	44
KK075889	26	22	KK080980	2	6	KK081599	19	39	KK083217R	3	45
KK075906	23	19	KK080981	2	5	KK081624R	27	15	KK083221R	3	39
KK075911	26	23	KK080982	2	2	KK081778	21	21	KK083222R	3	40
KK076022R	66	30	KK080983	2	1	KK081779	21	22	KK083223R	3	41
KK076023R	66	31	KK081344	21	17	KK081796	19	40	KK083224R	3	42
KK076294R	15	32	KK081345R	21	18	KK081964	20	29	KK08322894	1	36
KK076295R	15	33	KK081369R	26	2	KK082035	19	15	KK08322994	1	36
KK076318R	66	9	KK081382R	21	19	KK082079	58	17	KK083235R	1	46
KK076319R	66	10	KK081383R	21	20	KK082646	23	43	KK083235R	3	46
KK076320R	66	11	KK081402	19	36	KK082646	24	9	KK083235R	4	17
KK076406R	13	23	KK081404	19	37	KK082647	23	44	KK083300R	3	47
KK076406R	14	23	KK081506	19	38	KK082647	24	10	KK083300R	6	49
KK076406R	15	16	KK081534R	22	7	KK082648	23	45	KK083301R	3	47
KK076407R	13	24	KK081535R	22	7	KK082648	24	11	KK083301R	6	49
KK076407R	14	24	KK081536R	19	8	KK083010R	8	4	KK083406R	3	48
KK076407R	15	32	KK081540R	19	9	KK083011R	8	4	KK083407R	3	48
KK076409R	15	33	KK081547	20	24	KK083012R	8	4	KK083802R	3	49
KK076410R	13	25	KK081550R	22	8	KK083013R	8	4	KK083803R	3	49
KK076410R	14	25	KK081552R	22	8	KK083016R	8	5	KK083804R	3	49
KK076410R	15	33	KK081557R	19	10	KK083017R	8	5	KK083809R	1	45
KK076437R	14	26	KK081560R	22	8	KK083018R	8	5	KK083809R	2	-
KK076437R	15	34	KK081562R	22	8	KK083019R	8	5	KK083809R	2	-
KK076652	66	32	KK081565R	20	25	KK083020R	8	5	KK083809R	5	55
KK076716R	66	12	KK081569R	19	11	KK083021R	8	5	KK083810R	1	45
KK076769	66	13	KK081570R	19	12	KK083022R	8	5	KK083810R	2	-
KK076795R	66	14	KK081571R	19	13	KK083023R	8	5	KK083810R	2	-
KK076796R	66	15	KK081572R	19	14	KK083090R	8	6	KK083810R	5	55

ES/LS / Part No Index



Part No.	Page	Pos No	Part No.	Page	Pos No	Part No.	Page	Pos No	Part No.	Page	Pos No
KK084040	50	37	KK085374	30	35	KK086876	14	28	KK089778	57	43
KK084043	50	38	KK085388	23	48	KK086876	16	38	KK094206	53	21
KK084144R	57	29	KK085388	28	27	KK086877	16	39	KK094207	53	22
KK084146	57	30	KK085388	29	36	KK086881	16	40	KK126095	20	11
KK084157R	50	39	KK085388	30	36	KK086910	16	41	KK126095	31	19
KK084181R	57	31	KK085437	47	27	KK087047	22	12	KK191234	59	8
KK084182R	57	32	KK085438	47	28	KK087048R	22	13	KK199788	62	17
KK084189	57	33	KK085467R	48	26	KK088061	23	49	KK199788	63	9
KK084190	57	34	KK085468R	48	27	KK088062	48	30	KK199788	64	7
KK084191	57	35	KK085482R	48	28	KK088062	49	35	KK301223	6	54
KK084194	50	40	KK085490R	48	29	KK088062	50	43	KK301223	14	29
KK084194	51	29	KK085589R	50	42	KK088062	51	33	KK301223	23	50
KK084194	57	36	KK085592	52	25	KK088063	48	31	KK301223	47	29
KK084602R	49	34	KK085830	21	32	KK088063	49	36	KK309029	58	18
KK084613R	57	37	KK086100	13	26	KK088063	50	44	KK351148	20	31
KK084614R	57	38	KK086100	14	27	KK088063	51	34	KK351192	23	51
KK084624	50	41	KK086100	15	35	KK088063	56	26	KK351226	23	52
KK084625	51	30	KK086170	13	27	KK088064	48	32	KK351230	23	53
KK084688	57	39	KK086171	13	28	KK088064	49	37	KK351231	23	54
KK084690R	51	31	KK086172	13	27	KK088064	50	45	KK352405	11	48
KK084692R	51	32	KK086173	13	28	KK088064	51	35	KK352417	11	49
KK085278R	21	23	KK086174	13	27	KK089419R	12	6	KK352758	45	5
KK085307	21	24	KK086175	13	28	KK089420R	48	33	KK352758	46	6
KK085336R	21	25	KK086412R	15	17	KK089425	48	34	KK352760	43	4
KK085337R	21	26	KK086415R	15	18	KK089434R	48	35	KK352760	44	7
KK085338R	21	27	KK086466	15	2	KK089436R	48	36	KK352760	45	6
KK085347R	21	28	KK086468	15	1	KK089437R	48	37	KK352760	46	7
KK085361	21	29	KK086801R	16	32	KK089439R	48	38	KK352776	45	7
KK085370	23	46	KK086850R	16	33	KK089580	66	17	KK352776	46	8
KK085370	24	12	KK086851R	16	34	KK089765	20	30	KK353319	43	5
KK085374	23	47	KK086866	16	35	KK08976861	57	40	KK353319	44	8
KK085374	28	26	KK086867	16	36	KK089773	57	41	KK353390	44	9
KK085374	29	35	KK086868R	16	37	KK089774	57	42	KK353390	46	9

ES/LS / Part No Index



Part No.	Page	Pos No	Part No.	Page	Pos No	Part No.	Page	Pos No	Part No.	Page	Pos No
KK353394R	43	6	KK353670R	37	3	KK354395	65	15	KK354795R	35	8
KK353394R	44	10	KK353671R	42	6	KK354396	65	16	KK354796R	37	6
KK353394R	45	8	KK353672R	42	7	KK354435	65	17	KK354797R	39	11
KK353394R	46	10	KK353673R	42	8	KK354462	63	12	KK354798R	39	12
KK353395	43	7	KK353675R	38	6	KK354462	65	18	KK356042R	19	16
KK353395	44	11	KK353675R	39	8	KK354463	62	22	KK356042R	50	46
KK353395	45	9	KK353675R	40	8	KK354515	36	4	KK356042R	51	36
KK353395	46	11	KK353675R	42	9	KK354515	57	45	KK359026	41	7
KK353396	43	8	KK353676R	35	4	KK354577R	36	5	KK359083R	41	8
KK353396	44	12	KK353676R	37	4	KK354578R	36	6	KK359087R	41	9
KK353396	45	10	KK353680	37	8	KK354579R	36	7	KK359090R	41	10
KK353396	46	12	KK353681	31	21	KK354580R	36	8	KK361116	66	33
KK353476	43	18	KK353681	35	5	KK354581R	36	9	KK361143	23	55
KK353476	44	23	KK353682R	35	6	KK354594R	41	6	KK709737	70	4
KK353476	45	24	KK353685R	35	7	KK354650	43	10	KK709831	70	5
KK353476	46	26	KK353687R	37	5	KK354650	44	15	KK729812	70	3
KK353585R	38	5	KK353907	11	50	KK354650	45	14			
KK353609	31	20	KK353907	34	2	KK354650	46	16			
KK353611	45	11	KK353947	34	3	KK354709	38	11			
KK353611	46	13	KK353948	34	4	KK354718	30	38			
KK353612	45	12	KK354040	64	8	KK354718	40	9			
KK353612	46	14	KK354313	61	18	KK354719	28	29			
KK353613R	43	9	KK354313	62	18	KK354719	29	38			
KK353613R	44	13	KK354325	63	10	KK354719	39	9			
KK353613R	45	13	KK354325	64	9	KK354751R	39	14			
KK353613R	46	15	KK354325	65	14	KK354751R	40	13			
KK353623	44	14	KK354326	64	10	KK354751R	41	13			
KK353630R	57	44	KK354363	61	19	KK354754R	38	7			
KK353641R	40	7	KK354363	62	19	KK354755R	38	8			
KK353664	28	28	KK354369	62	20	KK354762R	38	9			
KK353664	29	37	KK354375	63	11	KK354762R	39	10			
KK353664	30	37	KK354387	61	20	KK354793R	40	10			
KK353664	42	12	KK354387	62	21	KK354794R	40	11			



ES/LS

ES27113=> < Mach. ID <= LS5062=>

Kverneland Group Operation Norway AS
Plogfabrikkvegen 1
N-4353 Klepp Stasjon
\nNorway
+47 51429000
+47 51429001
www.kvernelandgroup.com

© Kverneland Group

All rights reserved. No parts of this book may be reproduced, stored in a database or retrieval system, or published in any form or in any way, electronically, mechanically, optically, by print, photo print, microfilm (including micro and macro fiche), or any other means, including all video and CD systems, without prior written permission from the publisher.

Print date: 2023-11-10

