

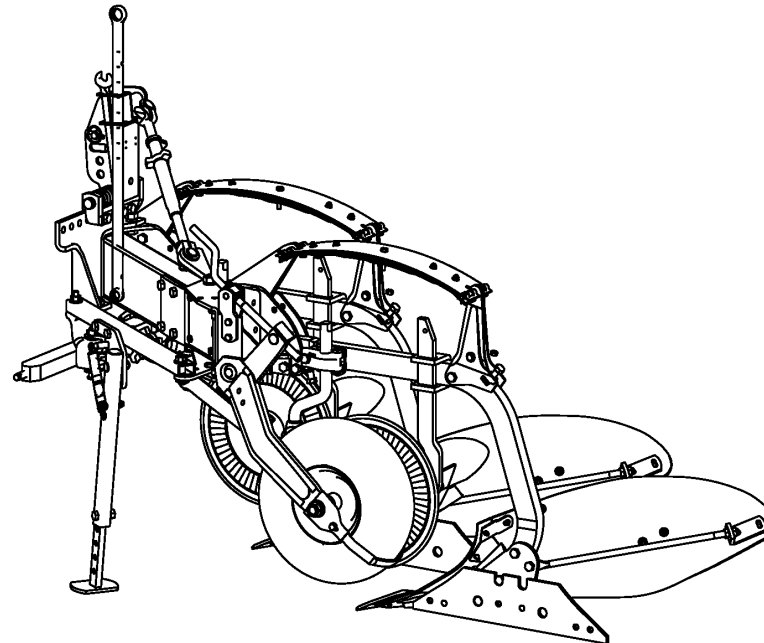
AB

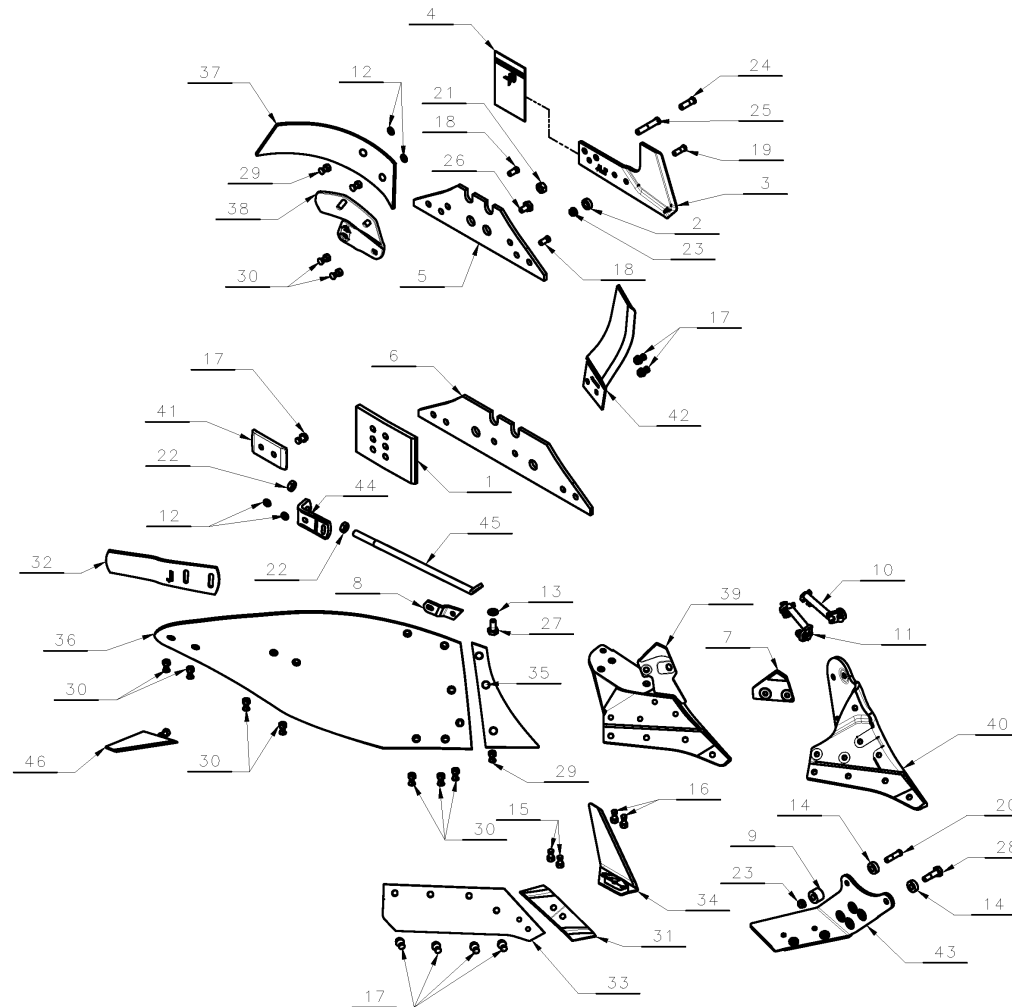
Spare Parts Manual

Article number: A133092640_2023
Language: EN
Production year (from): 2023
Prod. Series nr (from):
25402 < Mach. ID <= ->

AB / Table of Contents

PosNo.	Assembly group	Page
--	BODY - 8, 9, 28, 38	1
--	KIT EXTRA STAY BODY 8-9-28	2
--	BODY - 30	3
--	PLASTIC BODY NR.34	4
--	BODY NR.40	5
-	KNOCK-ON	6
--	QUICK FIT	7
--	CARBIDE FOR BODIES	8
--	BEAM (AUTO RESET)	9
--	DISC COULTER	10
Skim.	SKIMMER	11
--	CROSS SHAFT	12
--	FRAME PARTS	13
--	MAIN FRAME	14
--	HYDRAULICS	15
--	CYLINDER D75-D35X390+130 (KK354521)	16
--	CYLINDER D50-D30X520+200(KK353901)	17
--	DEPTH WHEEL 500 X 165 AND 6.00 X 9	18
--	TRANSFERS	19
--	TRANSFERS	20
--	STICKERS ANSI	21



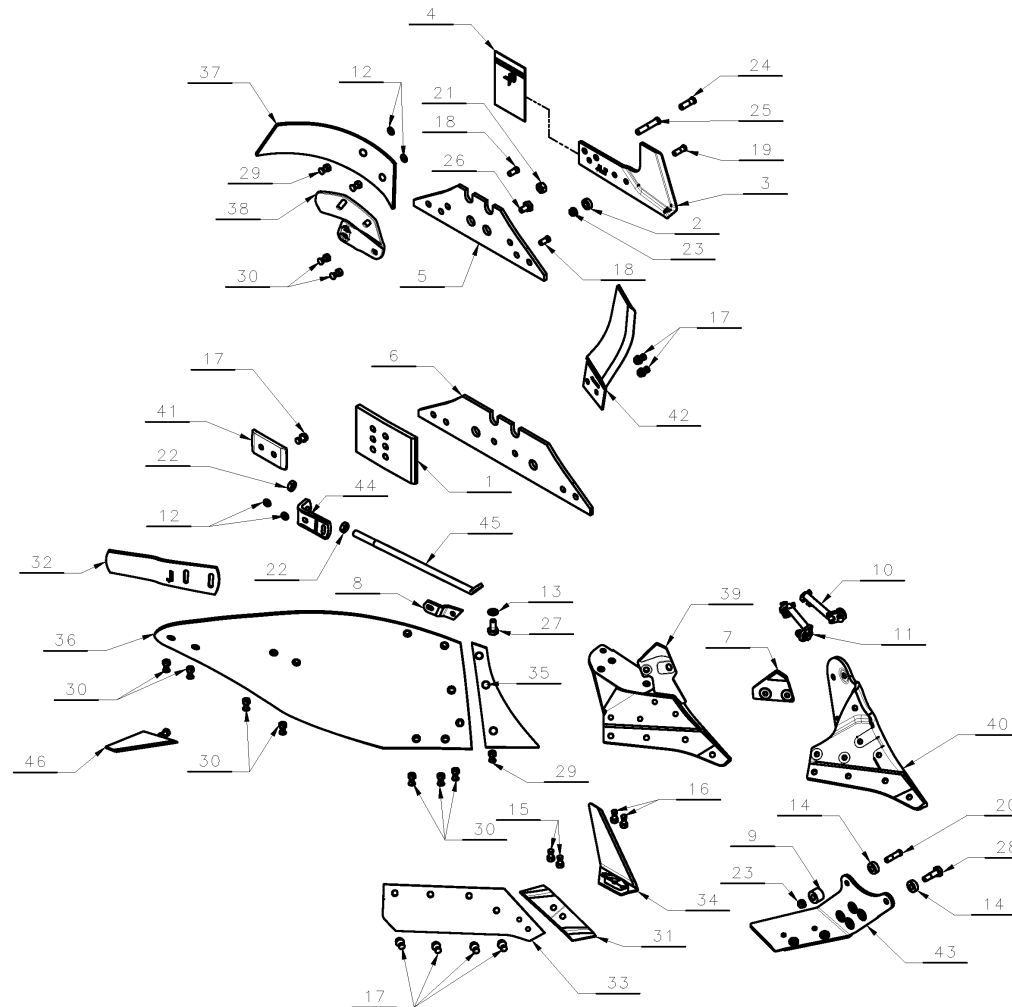


SPMKK003401

AB / BODY - 8, 9, 28, 38



PosNo.	Part No.	Qty.	Description	Remark
1	A133097232	1	LANDSIDE EXTENSION PLATE W/BOLTS	For landside long A133397494
2	A133217961	1	WASHER D16.25-D31.2X11	
3	A133229488	1	LANDSIDE KNIFE RIGHT	
3	A133229588	1	LANDSIDE KNIFE LEFT	
4	A133230330	1	BAG W/SCREWS AND WASHER (A1332294/95)	
5	A133397394	1	LANDSIDE SHORT R/L	
6	A133397494	1	LANDSIDE LONG R/L	
7	A133451994	1	CONNECTION PIECE RIGHT	A-saddle
7	A133452094	1	CONNECTION PIECE LEFT	A-saddle
8	A133452194	1	CONNECTING PIECE NO. 19 R	No. 9 and no. 38
8	A133452294	1	CONNECTING PIECE NO. 19 L	No. 9 and no. 38
9	A152077688	1	BUSHING D17- D38X27	(For A-saddle)
9	A152077788	1	BUSHING D17-D38X40	(For AB, AD, BE)
10	A152217432	1	STIFFENER SADDLE A BODY 28 R W/BOLTS	For A- saddle, body 28
11	A152217532	1	STIFFENER SADDLE A BODY 28 L W/BOLTS	For A- saddle, body 28
12	KK012919	1	WASHER D13.0XD24.0X2.50	
13	KK012927	1	WASHER D17.0XD30X3	
14	KK012929	1	WASHER D16.5XD35.0X12.0	
15	KK013228R	1	CS BOLT M12X34	
16	KK013234R	1	SHAREBOLT M12X38	
17	KK013332R	1	BOLT M14X34 W/NUT	
18	KK013333	1	CONE SCREW M14X34	
19	KK013346	1	CONE SCREW M14X45 GALV.	
20	KK013361	1	CONE SCREW M14X60 12.9	
21	KK015825	1	M16 NUT	
22	KK015834	1	NUT M20	
23	KK016015	1	FLANGE NUT M14 GALV.	
24	KK031905	1	CONICAL SCREW M16X55 12.9	
25	KK031909	1	CONICAL SCREW M16X90 12.9	
26	KK032725	1	HEX BOLT M16X27 10.9	
27	KK032735	1	HEX BOLT M16X35 10.9	
28	KK032740	1	HEX BOLT M16X40 10.9	For E-saddle
28	KK032755	1	HEX BOLT M16X55 10.9	
28	KK032765	1	HEX BOLT M16X65 10.9 W/WAX	For A- saddle
28	KK032775	1	HEX BOLT M16X75 10.9	(For AB, AD, BE)
29	KK033100R	1	CS BOLT M12X30	
30	KK033107R	1	BOLT M12X35 W/NUT	
31	KK053090R	1	REVERSIBLE POINT R BOXED W/BOLTS	
31	KK063090R	1	REVERSIBLE POINT L BOXED W/BOLTS	
32	KK053387R	1	MOULDBOARD EXTENSION R. PAINTED	

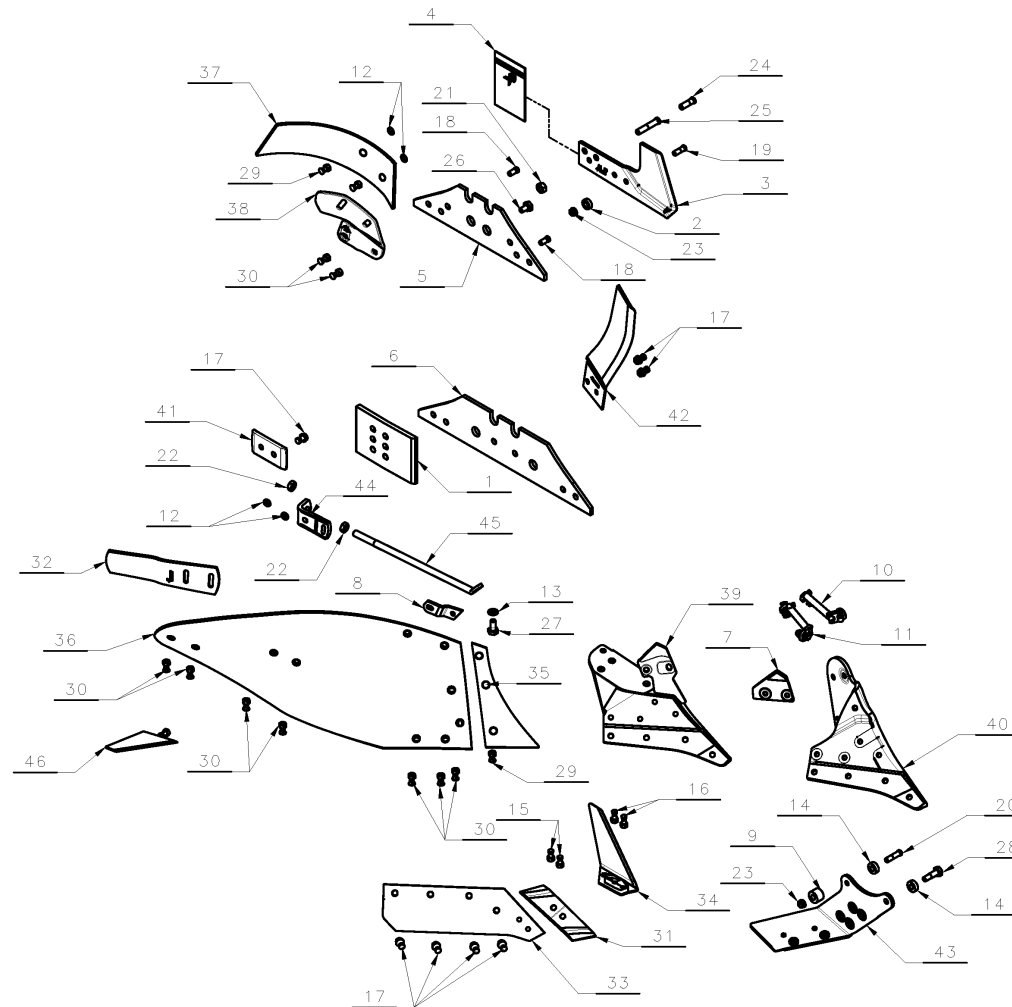


SPMKK003401

AB / BODY - 8, 9, 28, 38



PosNo.	Part No.	Qty.	Description	Remark
32	KK063388R	1	MOULDBOARD EXTENSION L. PAINTED	
33	KK07300086	1	SHARE 12 F/REV.POINT RIGHT	30CM
33	KK07300186	1	SHARE 12 F/REV.POINT LEFT	30CM
33	KK07300286	1	SHARE 14 F/REV.POINT RIGHT	35CM
33	KK07300386	1	SHARE 14 F/REV.POINT LEFT	35CM
33	KK07300486	1	SHARE 16 F/REV.POINT RIGHT	40CM
33	KK07300586	1	SHARE 16 F/REV.POINT LEFT	40CM
33	KK07300686	1	SHARE 18 F/REV.POINT RIGHT	45CM
33	KK07300786	1	SHARE 18 F/REV.POINT LEFT	45CM
33	KK07300886	1	SHARE 20 F/REV.POINT RIGHT	50CM
33	KK07300986	1	SHARE 20 F/REV.POINT LEFT	50CM
34	KK073091R	1	SHARE KNIFE R.	
34	KK073092R	1	SHARE KNIFE L.	
34	KK063091R	1	SHARE KNIFE R.	(For Sweden)
34	KK063092R	1	SHARE KNIFE L.	(For Sweden)
35	KK073250R	1	SHINPIECE R.	No. 8 and no. 28
35	KK073251R	1	SHINPIECE L.	No. 8 and no. 28
35	KK073256R	1	SHINPIECE R.	No. 9
35	KK073257R	1	SHINPIECE L.	No. 9
35	A133903430	1	SHINPIECE NO.38 RIGHT W/BOLTS	No.38
35	A133903530	1	SHINPIECE NO.38 LEFT W/BOLTS	No.38
36	KK07328094	1	MOULDBOARD 12 NO.8 RIGHT	
36	KK07328194	1	MOULDBOARD 12 NO.8 LEFT	
36	KK07328694	1	MOULDBOARD 14-18 NO.8 RIGHT	
36	KK07328794	1	MOULDBOARD 14-18 NO.8 LEFT	
36	KK07329094	1	MOULDBOARD 14-20 NO.9&19 RIGHT	
36	KK07329194	1	MOULDBOARD 14-20 NO.9&19 LEFT	
36	KK08322894	1	MOULDBOARD BODY NO 28 RIGHT	
36	KK08322994	1	MOULDBOARD BODY NO 28 LEFT	
36	A133873894	1	MOULDBOARD BODY NO 38 RIGHT	
36	A133873994	1	MOULDBOARD BODY NO 38 LEFT	
37	KK073300R	1	TRASHBOARD R	
37	KK073301R	1	TRASHBOARD L.	
38	KK073310R	1	BRACKET FOR TRASHBOARD RIGHT	
38	KK073311R	1	BRACKET FOR TRASHBOARD LEFT	
39	KK073406R	1	SADDLE W/SUPPORT RIGHT	E-saddle
39	KK073407R	1	SADDLE W/SUPPORT LEFT	E-saddle
40	KK073411R	1	SADDLE A RIGHT	A-saddle
40	KK073412R	1	SADDLE A LEFT	A-saddle
41	KK073614R	1	WEARING PIECE FOR 073609	For landside long A133397494



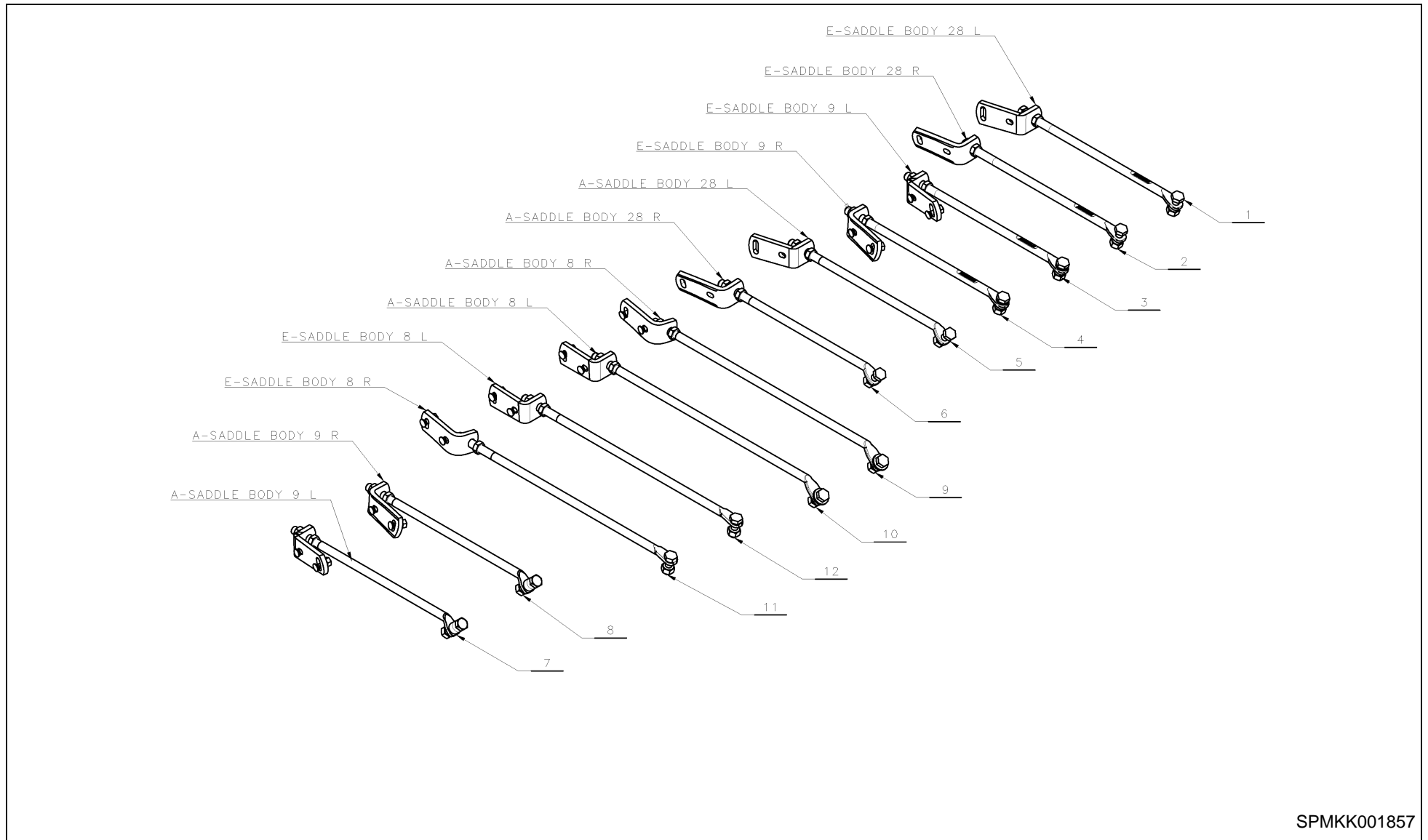
SPMKK003401

AB / BODY - 8, 9, 28, 38



PosNo.	Part No.	Qty.	Description	Remark
42	KK073615R	1	FURROW OPENER R.	
42	KK073616R	1	FURROW OPENER L.	
43	KK073634R	1	ECO-SHARE WITH BOLTS RH	
43	KK073635R	1	ECO-SHARE WITH BOLTS LH	
44	KK073807R	1	BRACKET FOR EXTRA STAY RIGHT	No. 9
44	KK073808R	1	BRACKET FOR EXTRA STAY LEFT	No. 9
44	KK073800R	1	BRACKET FOR STAY RIGHT	No. 8, 28 and 38
44	KK073801R	1	BRACKET FOR STAY LEFT	No. 8, 28 and 38
45	KK073803R	1	STAY	No. 8, A-saddle
45	KK063801R	1	STAY	No. 8, A-saddle
45	KK073830R	1	STAY A-SADDLE R/L	No. 9, A-saddle
45	KK073831R	1	STAY E-SADDLE R/L	No. 9, A-saddle
45	KK083809R	1	STAY A-SADDLE R/L	No. 28 and 38, A-saddle, long
45	KK083810R	1	STAY E-SADDLE BODY NO 28	No. 28 and 38, E-saddle, long
45	KK063806R	1	STAY	No. 28 and 38, A-saddle, short
46	KK083235R	1	FURROW SPLITTER W/BOLT	

AB / KIT EXTRA STAY BODY 8-9-28

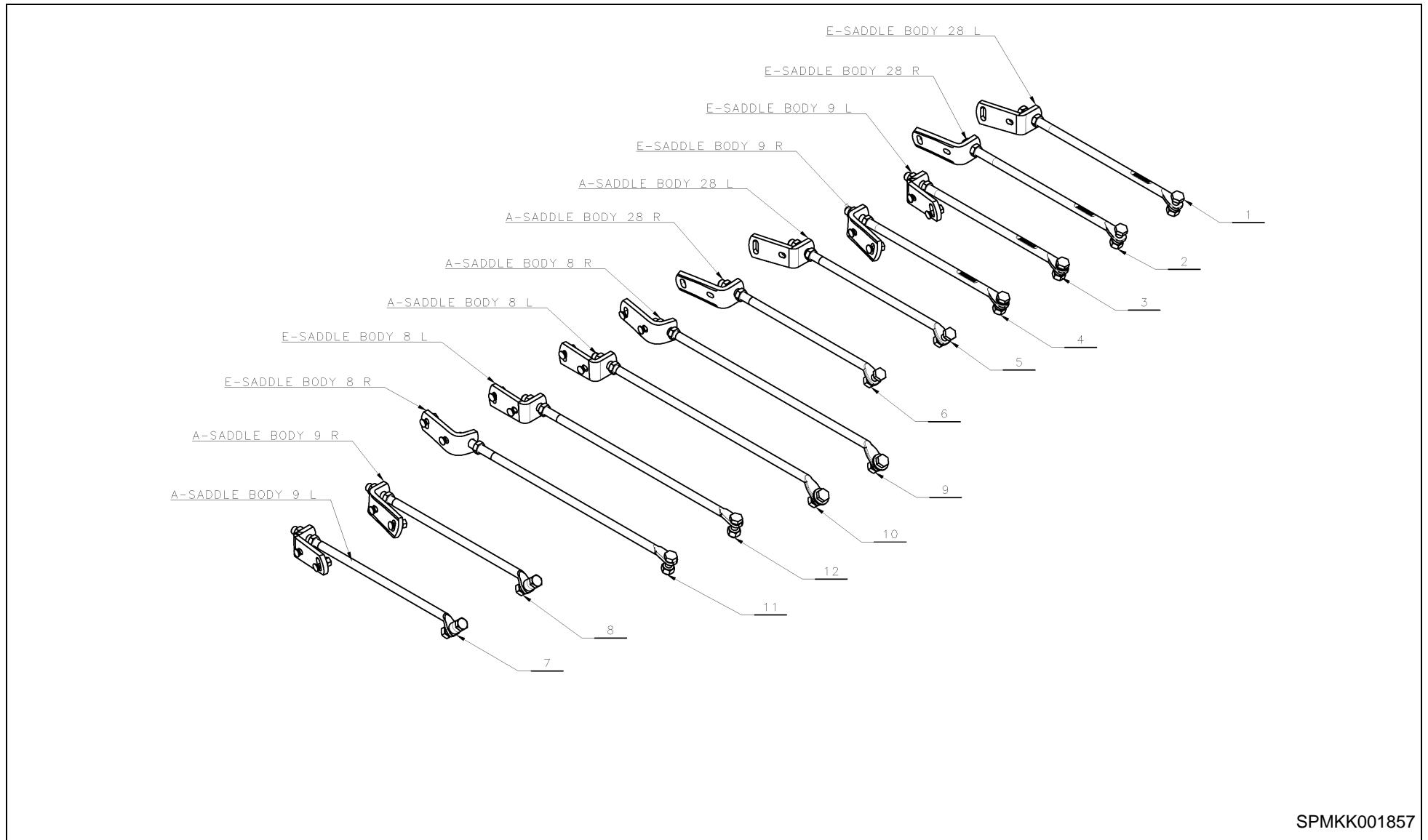


SPMKK001857

AB / KIT EXTRA STAY BODY 8-9-28

PosNo.	Part No.	Qty.	Description	Remark
1	KK080983		KIT EXTRA STAY L E-SADDLE BODY 28	
-	KK015825	1	M16 NUT	
-	KK015834	2	NUT M20	
-	KK032750	1	HEX BOLT M16X50 10.9	
-	KK063801R	1	STAY	
-	KK073801R	1	BRACKET FOR STAY LEFT	
2	KK080982		KIT EXTRA STAY R E-SADDLE BODY 28	
-	KK015825	1	M16 NUT	
-	KK015834	2	NUT M20	
-	KK032750	1	HEX BOLT M16X50 10.9	
-	KK063801R	1	STAY	
-	KK073800R	1	BRACKET FOR STAY RIGHT	
3	KK070395		KIT EXTRA STAY L E-SADDLE BODY 9	
-	KK012927	1	WASHER D17.0XD30X3	
-	KK015817	2	NUT M12 GALV.	
-	KK015825	1	M16 NUT	
-	KK015834	2	NUT M20	
-	KK032750	1	HEX BOLT M16X50 10.9	
-	KK033109	2	BOLT M12X40	
-	KK063801R	1	STAY	
-	KK073801R	1	BRACKET FOR STAY LEFT	
4	KK070394		KIT EXTRA STAY R E-SADDLE BODY 9	
-	KK012927	1	WASHER D17.0XD30X3	
-	KK015817	2	NUT M12 GALV.	
-	KK015825	1	M16 NUT	
-	KK015834	2	NUT M20	
-	KK032750	1	HEX BOLT M16X50 10.9	
-	KK033109	2	BOLT M12X40	
-	KK063801R	1	STAY	
-	KK073800R	1	BRACKET FOR STAY RIGHT	
5	KK080981		KIT EXTRA STAY L A-SADDLE BODY 28	
-	KK015825	1	M16 NUT	
-	KK015834	2	NUT M20	
-	KK032750	1	HEX BOLT M16X50 10.9	
-	KK063806R	1	STAY	
-	KK073801R	1	BRACKET FOR STAY LEFT	
6	KK080980		KIT EXTRA STAY R A-SADDLE BODY 28	
-	KK015825	1	M16 NUT	
-	KK015834	2	NUT M20	
-	KK032750	1	HEX BOLT M16X50 10.9	

AB / KIT EXTRA STAY BODY 8-9-28



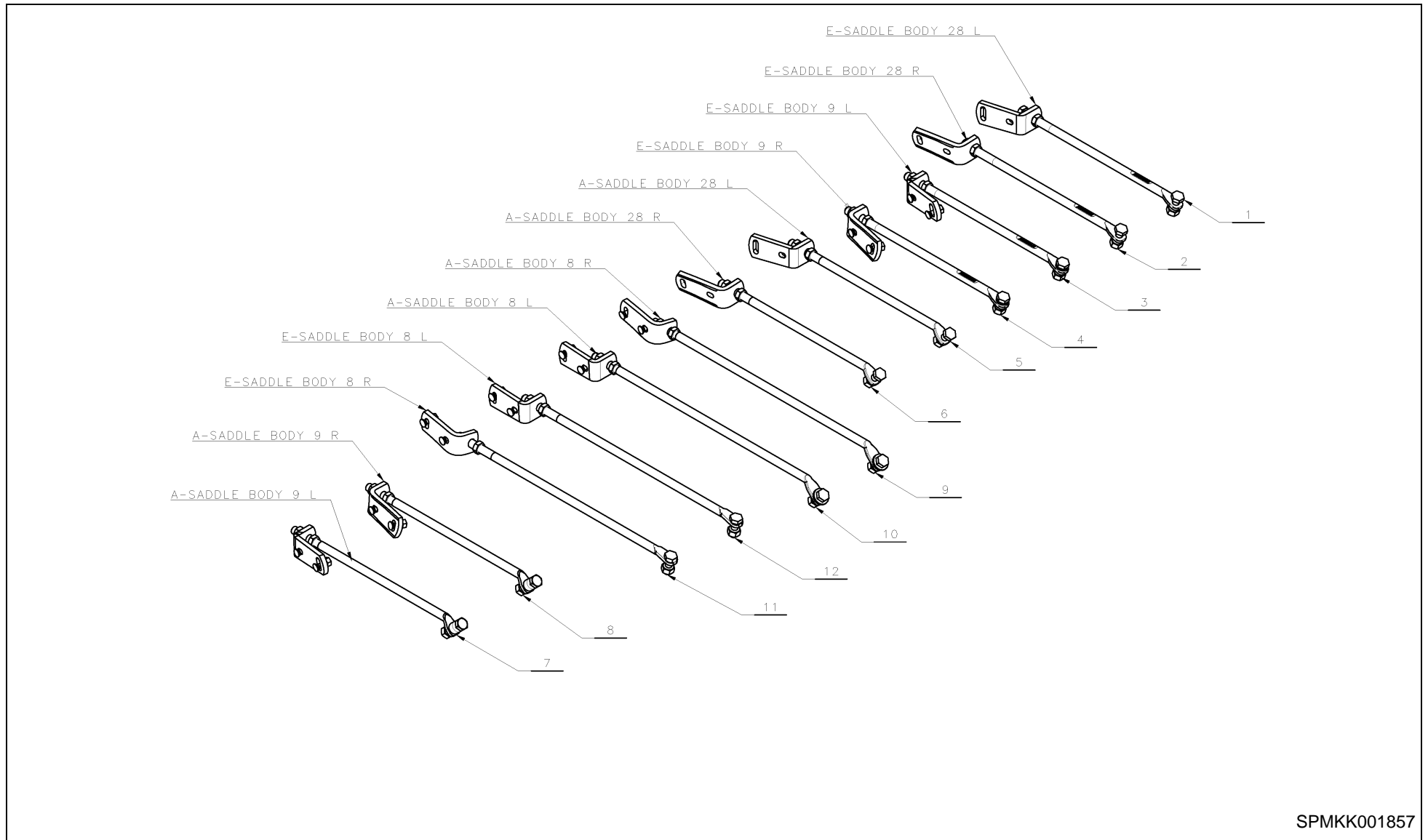
SPMKK001857

AB / KIT EXTRA STAY BODY 8-9-28



PosNo.	Part No.	Qty.	Description	Remark
-	KK063806R	1	STAY	
-	KK073800R	1	BRACKET FOR STAY RIGHT	
7	KK070391		KIT EXTRA STAY L A-SADDLE BODY 9	
-	KK012997	1	SPESIALSKIVE 28 X 17 X 22	
-	KK015817	2	NUT M12 GALV.	
-	KK015825	1	M16 NUT	
-	KK015834	2	NUT M20	
-	KK032765	1	HEX BOLT M16X65 10.9 W/WAX	
-	KK033109	2	BOLT M12X40	
-	KK073801R	1	BRACKET FOR STAY LEFT	
-	KK073803R	1	STAY	
8	KK070390		KIT EXTRA STAY R A-SADDLE BODY 9	
-	KK012997	1	SPESIALSKIVE 28 X 17 X 22	
-	KK015817	2	NUT M12 GALV.	
-	KK015825	1	M16 NUT	
-	KK015834	2	NUT M20	
-	KK032765	1	HEX BOLT M16X65 10.9 W/WAX	
-	KK033109	2	BOLT M12X40	
-	KK073800R	1	BRACKET FOR STAY RIGHT	
-	KK073803R	1	STAY	
9	KK070509		KIT EXTRA STAY R	
-	KK032745	1	HEX BOLT M16X45 10.9 WITH WAX	
-	KK015817	2	NUT M12 GALV.	
-	KK015834	2	NUT M20	
-	KK015825	1	M16 NUT	
-	KK033109	2	BOLT M12X40	
-	KK083809R	1	STAY A-SADDLE R/L	
-	KK073807R	1	BRACKET FOR EXTRA STAY RIGHT	
-	KK012922	1	WASHER D17-D40X4.58	
10	KK070519		KIT EXTRA STAY L	
-	KK032745	1	HEX BOLT M16X45 10.9 WITH WAX	
-	KK015817	2	NUT M12 GALV.	
-	KK015834	2	NUT M20	
-	KK015825	1	M16 NUT	
-	KK033109	2	BOLT M12X40	
-	KK083809R	1	STAY A-SADDLE R/L	
-	KK073808R	1	BRACKET FOR EXTRA STAY LEFT	
-	KK012922	1	WASHER D17-D40X4.58	
11	KK070589		KIT EXTRA STAY R E-SADDLE BODY 8	
-	KK032750	1	HEX BOLT M16X50 10.9	

AB / KIT EXTRA STAY BODY 8-9-28

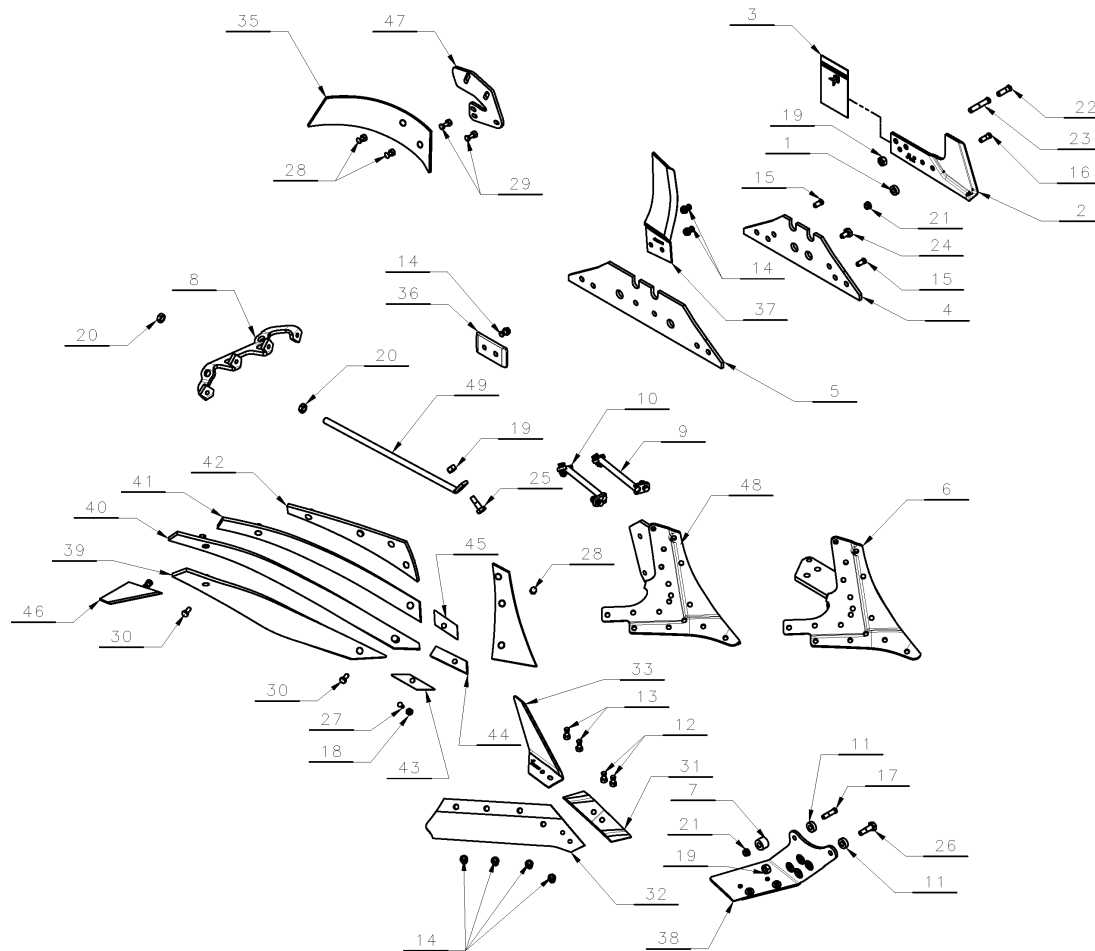


SPMKK001857

AB / KIT EXTRA STAY BODY 8-9-28



PosNo.	Part No.	Qty.	Description	Remark
-	KK015817	2	NUT M12 GALV.	
-	KK015834	2	NUT M20	
-	KK015825	1	M16 NUT	
-	KK033109	2	BOLT M12X40	
-	KK083810R	1	STAY E-SADDLE BODY NO 28	
-	KK073807R	1	BRACKET FOR EXTRA STAY RIGHT	
12	KK070599	1	KIT EXTRA STAY L E-SADDLE BODY 8	
-	KK015834	2	NUT M20	
-	KK073808R	1	BRACKET FOR EXTRA STAY LEFT	
-	KK032750	1	HEX BOLT M16X50 10.9	
-	KK015825	1	M16 NUT	
-	KK015817	2	NUT M12 GALV.	
-	KK033109	2	BOLT M12X40	
-	KK083810R	1	STAY E-SADDLE BODY NO 28	

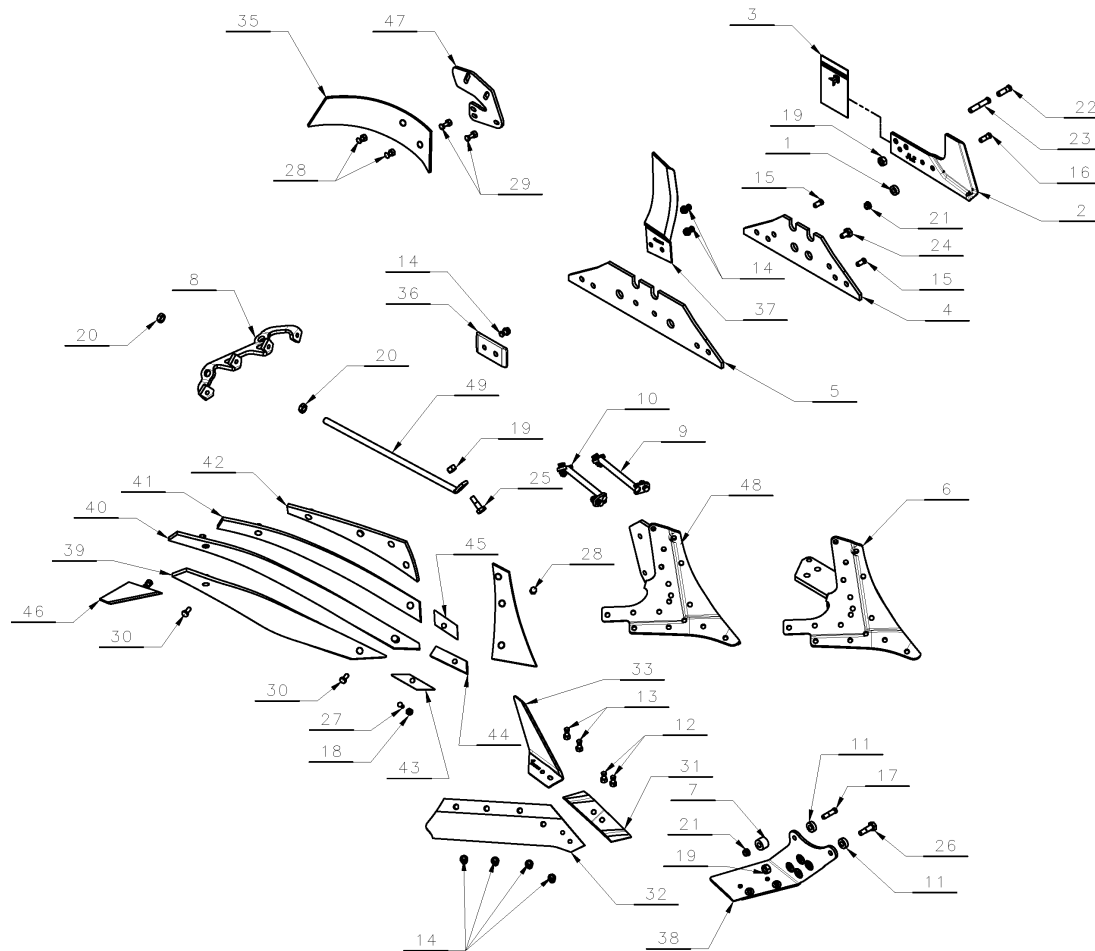


SPMKK003413

AB / BODY - 30



PosNo.	Part No.	Qty.	Description	Remark
1	A133217961	1	WASHER D16.25-D31.2X11	
2	A133229488	1	LANDSIDE KNIFE RIGHT	
2	A133229588	1	LANDSIDE KNIFE LEFT	
3	A133230330	1	BAG W/SCREWS AND WASHER (A1332294/95)	
4	A133397394	1	LANDSIDE SHORT R/L	
5	A133397494	1	LANDSIDE LONG R/L	
6	A133453394	1	E-SADDLE WE RIGHT BODY NO 30	
6	A133453494	1	E-SADDLE WE LEFT BODY NO 30	
7	A152077688	1	BUSHING D17- D38X27	FOR A SADDLE
7	A152077788	1	BUSHING D17-D38X40	FOR AB-AD-BE
8	A152116694	1	SLAT SUPPORT BODY NO. 30 RIGHT	
8	A152116794	1	SLAT SUPPORT BODY NO. 30 LEFT	
9	A152217632	1	STIFFENER SADDLE A BODY 30 R W/BOLTS	FOR A SADDLE
10	A152217732	1	STIFFENER SADDLE A BODY 30 L W/BOLTS	FOR A SADDLE
11	KK012929	1	WASHER D16.5XD35.0X12.0	
12	KK013228R	1	CS BOLT M12X34	
13	KK013234R	1	SHAREBOLT M12X38	
14	KK013332R	1	BOLT M14X34 W/NUT	
15	KK013333	1	CONE SCREW M14X34	
16	KK013346	1	CONE SCREW M14X45 GALV.	
17	KK013361	1	CONE SCREW M14X60 12.9	FOR E SADDLE
17	KK013385	1	CONE SCREW M14X85 10.9 GALV	FOR A SADDLE
18	KK015813	1	NUT M10 GALV.	
19	KK015825	1	M16 NUT	
20	KK015834	1	NUT M20	
21	KK016015	1	FLANGE NUT M14 GALV.	
22	KK031905	1	CONICAL SCREW M16X55 12.9	
23	KK031909	1	CONICAL SCREW M16X90 12.9	
24	KK032725	1	HEX BOLT M16X27 10.9	
25	KK032750	1	HEX BOLT M16X50 10.9	FOR E SADDLE
25	KK015825	1	M16 NUT	
26	KK032755	1	HEX BOLT M16X55 10.9	
26	KK032765	1	HEX BOLT M16X65 10.9 W/WAX	FOR A SADDLE
26	KK032775	1	HEX BOLT M16X75 10.9	FOR AB-AD-BE
27	KK033007	1	OVAL SCREW M10X35 GALV.	
28	KK033100R	1	CS BOLT M12X30	
29	KK033108R	1	BOLT M12X40	
30	KK033116	1	OVAL SCREW M12X35	
31	KK053090R	1	REVERSIBLE POINT R BOXED W/BOLTS	
31	KK063090R	1	REVERSIBLE POINT L BOXED W/BOLTS	

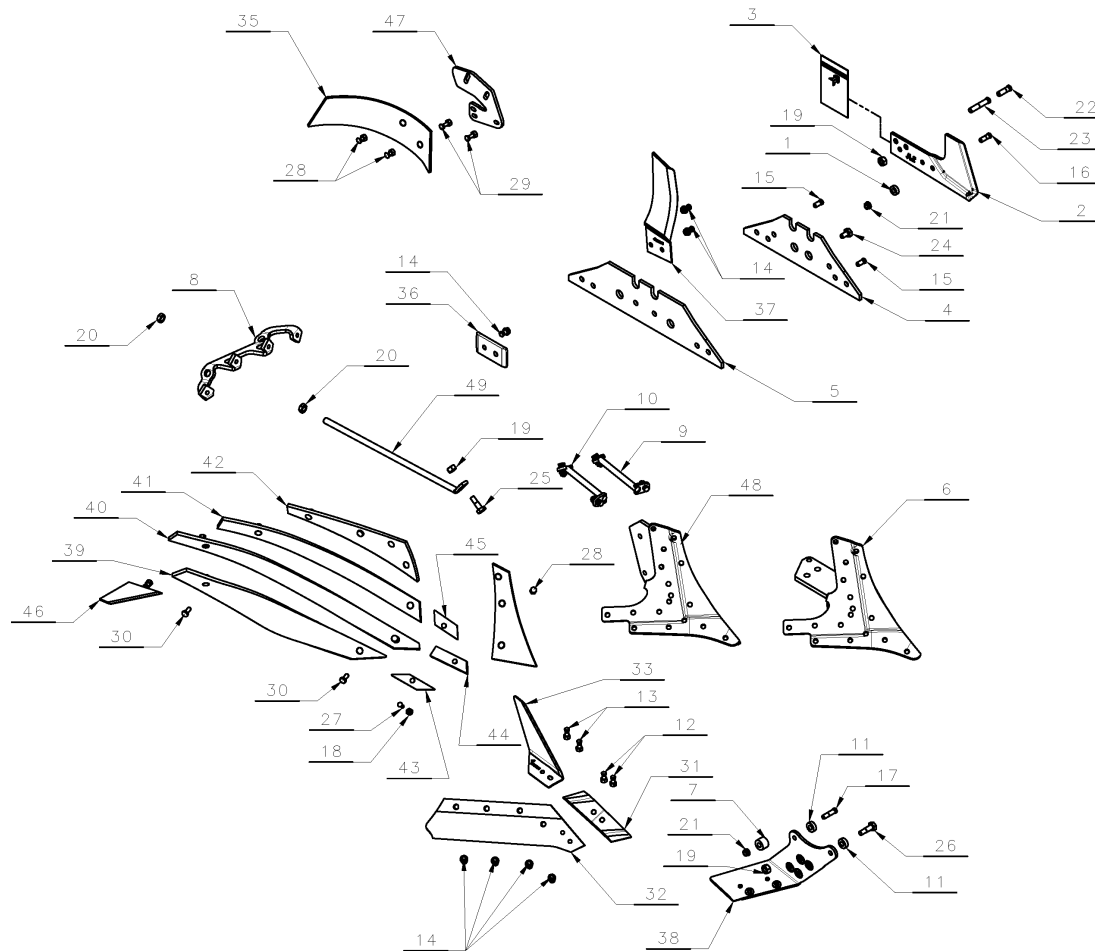


SPMKK003413

AB / BODY - 30



PosNo.	Part No.	Qty.	Description	Remark
32	KK07305486	1	SHARE 14 REVERSIBLE POINT RIGHT	
32	KK07305586	1	SHARE 14 REVERSIBLE POINT LEFT	
32	KK07305686	1	SHARE 16 REVERSIBLE POINT RIGH	
32	KK07305786	1	SHARE 16 REVERSIBLE POINT LEFT	
32	KK07308086	1	SHARE 18 REVERSIBLE POINT RIGH	
32	KK07308186	1	SHARE 18 REVERSIBLE POINT LEFT	
33	KK073091R	1	SHARE KNIFE R.	
33	KK073092R	1	SHARE KNIFE L.	
33	KK063091R	1	SHARE KNIFE R.	FOR SWEEDEN
33	KK063092R	1	SHARE KNIFE L.	FOR SWEEDEN
34	KK073230R	1	SHINPIECE R.	
34	KK073231R	1	SHINPIECE WITH BOLTS FOR BODY	
35	KK073300R	1	TRAHSBOARD R	
35	KK073301R	1	TRASHBOARD L.	
36	KK073614R	1	WEARING PIECE FOR 073609	
37	KK073615R	1	FURROW OPENER R.	
37	KK073616R	1	FURROW OPENER L.	
38	KK073634R	1	ECO-SHARE WITH BOLTS RH	
38	KK073635R	1	ECO-SHARE WITH BOLTS LH	
39	KK083211R	1	FINGER NO 1 R.H BODY NO 30 W/BOLT	
39	KK083221R	1	FINGER NO 1 L.H BODY NO 30 W/BOLT	
40	KK083212R	1	FINGER NO 2 R.H BODY NO 30 W/B	
40	KK083222R	1	FINGER NO 2 L.H BODY NO 30 W/B	
41	KK083213R	1	FINGER NO 3 R.H BODY NO 30 W/B	
41	KK083223R	1	FINGER NO 3 L.H BODY NO 30 W/B	
42	KK083214R	1	FINGER NO 4 R.H BODY NO 30 W/BOLT	
42	KK083224R	1	FINGER NO 4 L.H BODY NO 30 W/BOLT	
43	KK083215R	1	PLASTIC SPACER 1/2 R/L NO 30 W/BOLT	FOR SLAT 1-2
43	A133796830	1	STEEL SPACER 1/2 R NO 30 W/BOLT	FOR SLAT 1-2-R
43	A133796930	1	STEEL SPACER 1/2 L NO 30 W/BOLT	FOR SLAT 1-2-L
44	KK083216R	1	PLASTIC SPACER 2/3 R/L NO 30 W/BOLT	FOR SLAT 2-3
44	A133797030	1	STEEL SPACER 2/3 R NO 30 W/BOLT	FOR SLAT 2-3-R
44	A133797130	1	STEEL SPACER 2/3 L NO 30 W/BOLT	FOR SLAT 2-3-L
45	KK083217R	1	PLASTIC SPACER 3/4 R/L NO 30 W/BOLT	FOR SLAT 3-4
45	A133797230	1	STEEL SPACER 3/4 R NO 30 W/BOLT	FOR SLAT 3-4-R
45	A133797330	1	STEEL SPACER 3/4 L NO 30 W/BOLT	FOR SLAT 3-4-L
46	KK083235R	1	FURROW SPLITTER W/BOLT	
47	KK083300R	1	TRASHBOARD BRACKET R BODY NO 30	
47	KK083301R	1	TRASHBOARD BRACKET L BODY NO 30	
48	KK083406R	1	A-SADDLE WE RIGHT BODY NO 30	

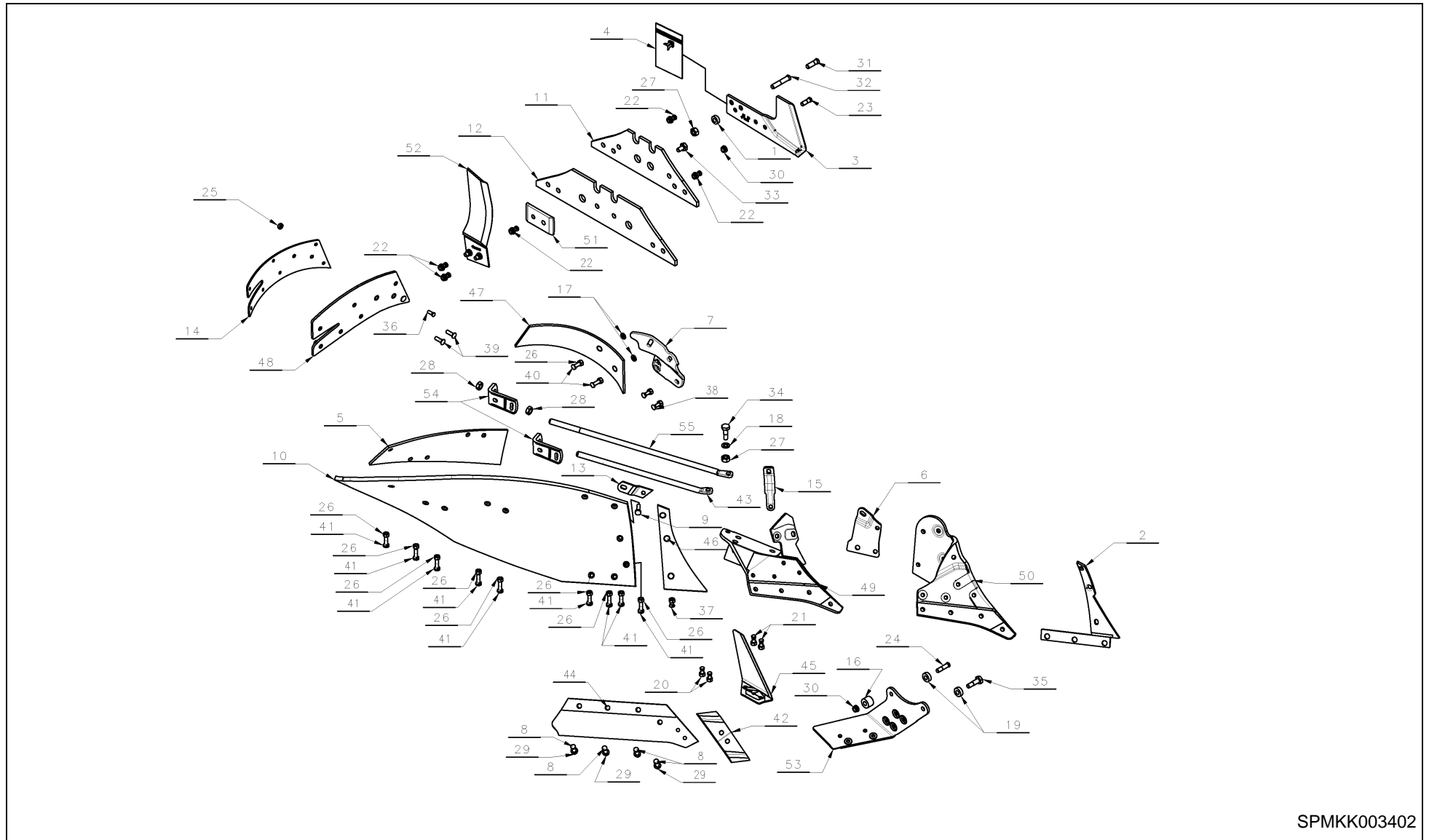


SPMKK003413

AB / BODY - 30



PosNo.	Part No.	Qty.	Description	Remark
48	KK083407R	1	A-SADDLE WE LEFT BODY NO 30	
49	KK083802R	1	STAY NO 1 A-SADDLE BODY NO 30	
49	KK083803R	1	STAY NO 2 SADDLE A&E BODY NO 30	
49	KK083804R	1	STAY NO 1 SADDLE E BODY 30 R&L	

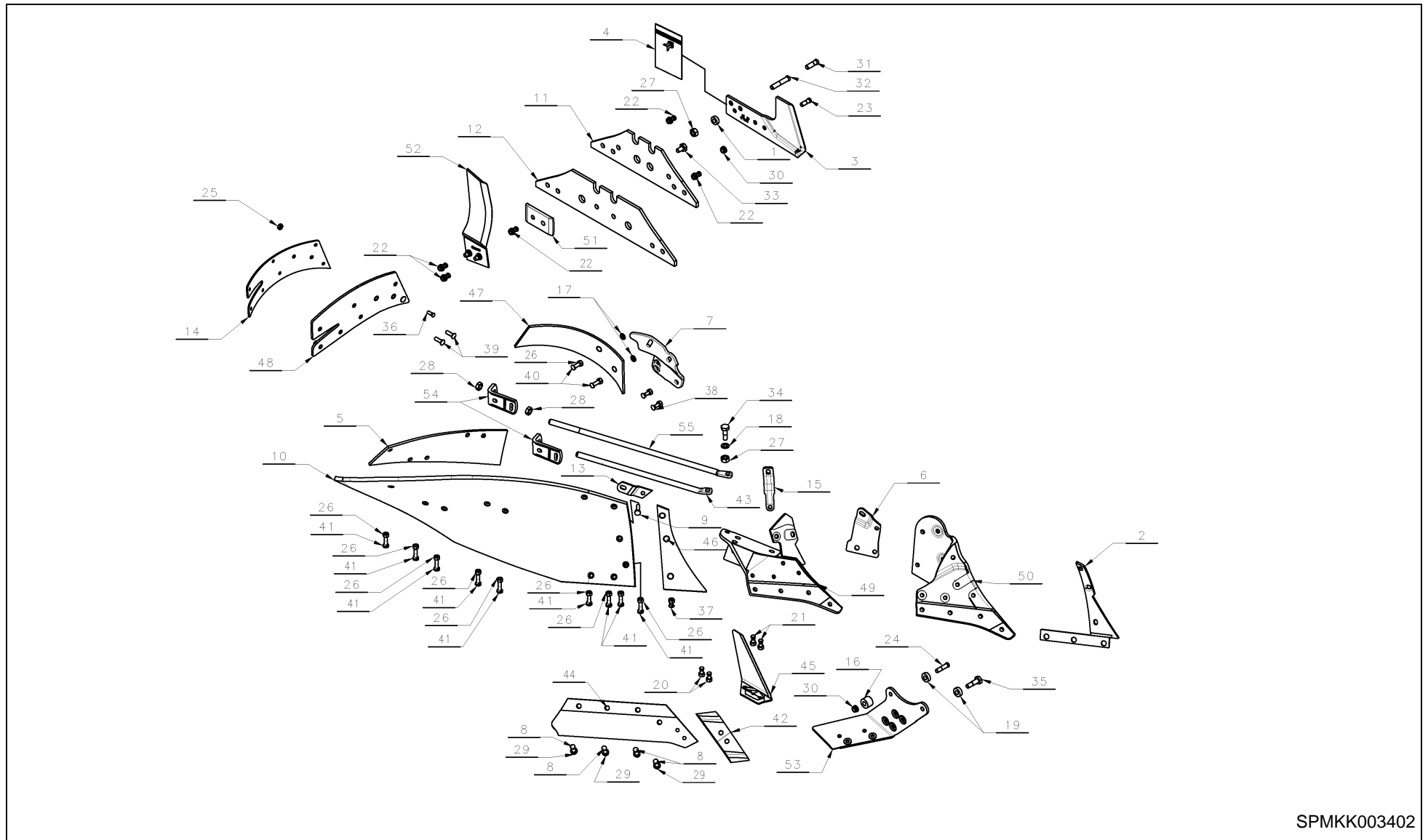


SPMKK003402

AB / PLASTIC BODY NR.34



PosNo.	Part No.	Qty.	Description	Remark
1	A133217961	1	WASHER D16.25-D31.2X11	
2	A133218178	1	SPACER POLYETHYLENE FOR BODY 34	
3	A133229488	1	LANDSIDE KNIFE RIGHT	
3	A133229588	1	LANDSIDE KNIFE LEFT	
4	A133230330	1	BAG W/SCREWS AND WASHER (A1332294/95)	
5	A133256694	1	MOULDBOARD SUPPORT NR. 34 RIGHT	
5	A133256794	1	MOULDBOARD SUPPORT NR. 34 LEFT	
6	A133256894	1	BASEPLATE RIGHT	A-saddle
6	A133256994	1	BASEPLATE LEFT	A-saddle
7	A133257088	1	TRASBOARD BRACKET BODY NR. 34 RIGHT	
7	A133257188	1	TRASBOARD BRACKET BODY NR. 34 LEFT	
8	A133301861	1	CONE SCREW M14 X 40	
9	A133311261	1	OVAL SCREW M12 X 55	
10	A133320330	1	PLASTIC MOULDBOARD NO.34 RIGHT W/BOLTS	
10	A133320430	1	PLASTIC MOULDBOARD NO.34 LEFT W/BOLTS	
11	A133397394	1	LANDSIDE SHORT R/L	
12	A133397494	1	LANDSIDE LONG R/L	
13	A133452194	1	CONNECTING PIECE NO. 19 R	
13	A133452294	1	CONNECTING PIECE NO. 19 L	
14	A133504288	1	SUPPORT PLATE RIGHT	
14	A133504388	1	SUPPORT PLATE LEFT	
15	A133787894	1	BRACKET FOR PLASTIC TRASBOARD	
16	A152077688	1	BUSHING D17- D38X27	For A-saddle
17	KK012919	1	WASHER D13.0XD24.0X2.50	
18	KK012927	1	WASHER D17.0XD30X3	
19	KK012929	1	WASHER D16.5XD35.0X12.0	
20	KK013228R	1	CS BOLT M12X34	
21	KK013234R	1	SHAREBOLT M12X38	
22	KK013332R	1	BOLT M14X34 W/NUT	
23	KK013346	1	CONE SCREW M14X45 GALV.	
24	KK013361	1	CONE SCREW M14X60 12.9	
25	KK015813	1	NUT M10 GALV.	
26	KK015818	1	NUT M12 BLACK	
27	KK015825	1	M16 NUT	
28	KK015834	1	NUT M20	
29	KK016013	1	FLANGE NUT M14 KEY19	
30	KK016015	1	FLANGE NUT M14 GALV.	
31	KK031905	1	CONICAL SCREW M16X55 12.9	
32	KK031909	1	CONICAL SCREW M16X90 12.9	
33	KK032725	1	HEX BOLT M16X27 10.9	

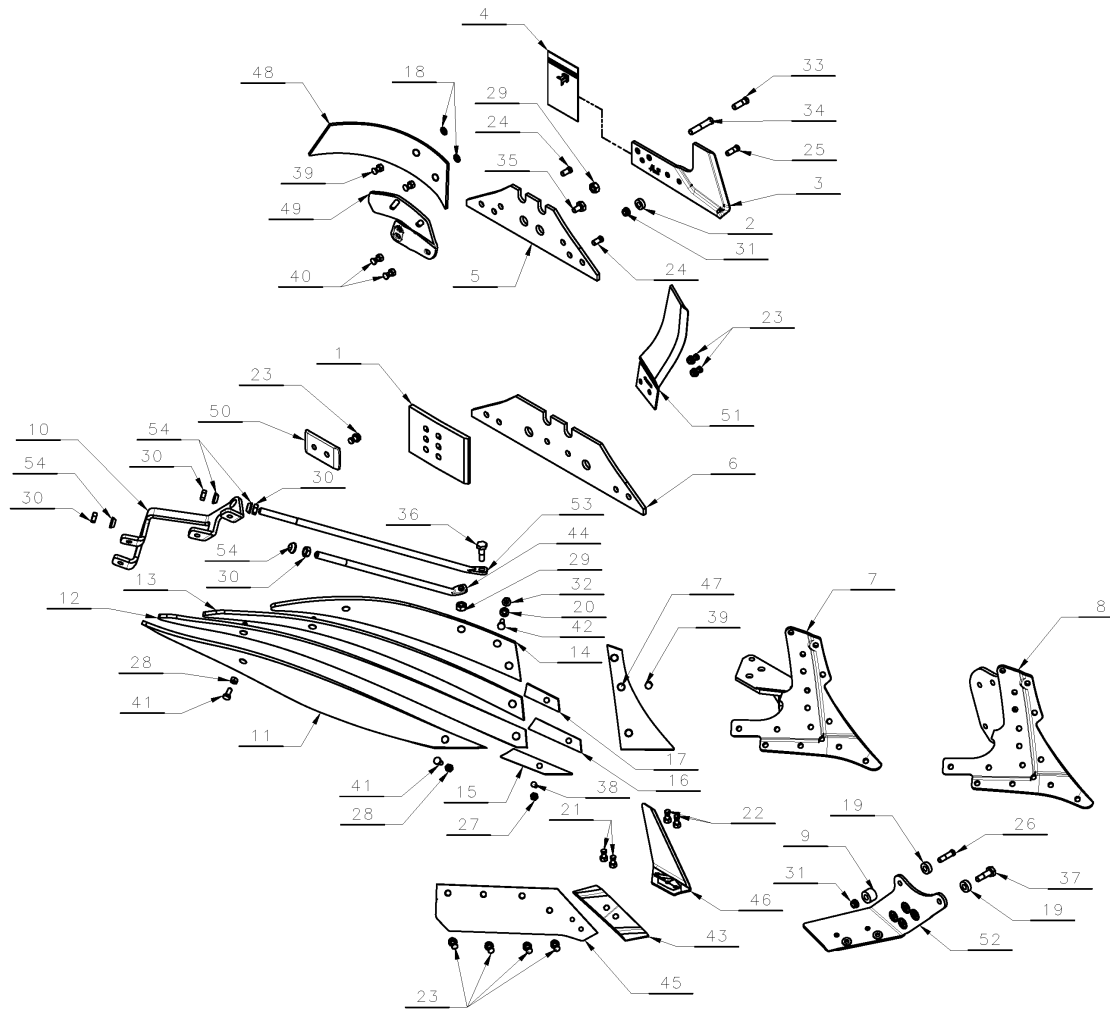


SPMKK003402

AB / PLASTIC BODY NR.34



PosNo.	Part No.	Qty.	Description	Remark
34	KK032750	1	HEX BOLT M16X50 10.9	
35	KK032755	1	HEX BOLT M16X55 10.9	
35	KK032765	1	HEX BOLT M16X65 10.9 W/WAX	For A-saddle
35	KK032775	1	HEX BOLT M16X75 10.9	For AB, AD, BE
36	KK033016	1	OVAL SCREW M10X30 GALV.	
37	KK033100R	1	CS BOLT M12X30	
38	KK033108R	1	BOLT M12X40	
39	KK033109	1	BOLT M12X40	
40	KK033111	1	OVAL SCREW M12X45 GALV.	
41	KK033119	1	OVAL SCREW M12X50 GALV.	
42	KK053090R	1	REVERSIBLE POINT R BOXED W/BOLTS	
42	KK063090R	1	REVERSIBLE POINT L BOXED W/BOLTS	
43	KK063801R	1	STAY	
43	KK063806R	1	STAY	E-saddle
44	KK07300486	1	SHARE 16 F/REV.POINT RIGHT	40cm
44	KK07300586	1	SHARE 16 F/REV.POINT LEFT	40cm
44	KK07300686	1	SHARE 18 F/REV.POINT RIGHT	45cm
44	KK07300786	1	SHARE 18 F/REV.POINT LEFT	45cm
45	KK073091R	1	SHARE KNIFE R.	
45	KK073092R	1	SHARE KNIFE L.	
45	KK063091R	1	SHARE KNIFE R.	
45	KK063092R	1	SHARE KNIFE L.	
46	KK073256R	1	SHINPIECE R.	
46	KK073257R	1	SHINPIECE L.	
47	KK073300R	1	TRASHBOARD R	
47	KK073301R	1	TRASHBOARD L.	
48	KK073350R	1	TRASHBOARD PLASTIC	
49	KK073406R	1	SADDLE W/SUPPORT RIGHT	E-saddle
49	KK073407R	1	SADDLE W/SUPPORT LEFT	E-saddle
50	KK073411R	1	SADDLE A RIGHT	A-saddle
50	KK073412R	1	SADDLE A LEFT	A-saddle
51	KK073614R	1	WEARING PIECE FOR 073609	
52	KK073615R	1	FURROW OPENER R.	
52	KK073616R	1	FURROW OPENER L.	
53	KK073634R	1	ECO-SHARE WITH BOLTS RH	
53	KK073635R	1	ECO-SHARE WITH BOLTS LH	
54	KK073800R	1	BRACKET FOR STAY RIGHT	Right
54	KK073801R	1	BRACKET FOR STAY LEFT	Left
55	KK083809R	1	STAY A-SADDLE R/L	A-saddle
55	KK083810R	1	STAY E-SADDLE BODY NO 28	E-saddle

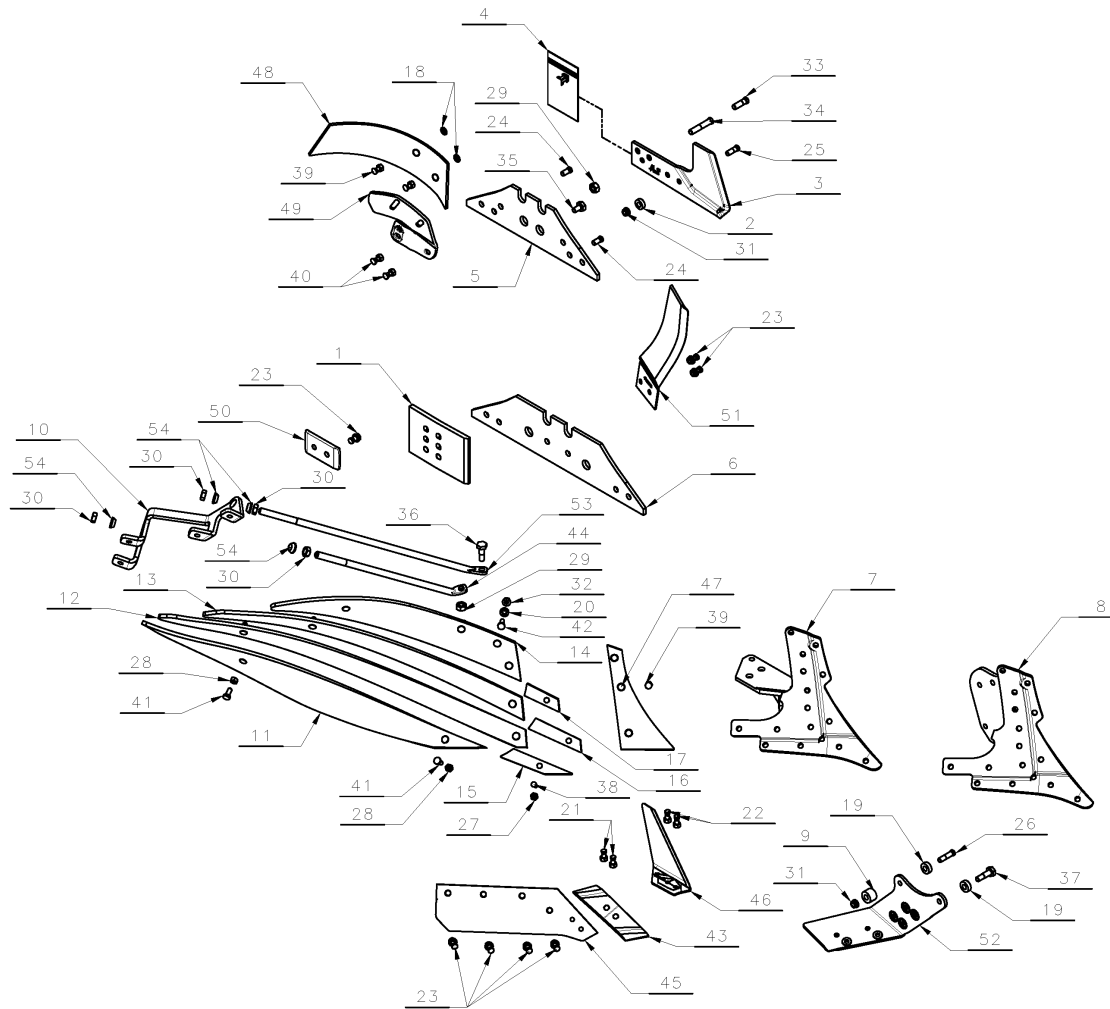


SPMKK003467

AB / BODY NR.40



PosNo.	Part No.	Qty.	Description	Remark
1	A133097232	1	LANDSIDE EXTENSION PLATE W/BOLTS	For landside long A133397494
2	A133217961	1	WASHER D16.25-D31.2X11	
3	A133229488	1	LANDSIDE KNIFE RIGHT	
3	A133229588	1	LANDSIDE KNIFE LEFT	
4	A133230330	1	BAG W/SCREWS AND WASHER (A1332294/95)	
5	A133397394	1	LANDSIDE SHORT R/L	
6	A133397494	1	LANDSIDE LONG R/L	
7	A133694094	1	SADDLE E BODY NO. 40 RIGHT	
7	A133694194	1	SADDLE E BODY NO. 40 LEFT	
8	A133730894	1	SADDLE A BODY NO. 40 RIGHT	
8	A133730994	1	SADDLE A BODY NO. 40 LEFT	
9	A152077688	1	BUSHING D17- D38X27	(For A-saddle)
9	A152077788	1	BUSHING D17-D38X40	(For AB, AD, BE)
10	A152154194	1	SLAT SUPPORT BODY NO. 40 RIGHT	
10	A152154294	1	SLAT SUPPORT BODY NO. 40 LEFT	
11	A152232732	1	FINGER NO. 1 BODY NO. 40 W/BOLTS RIGHT	
11	A152232832	1	FINGER NO. 1 BODY NO. 40 W/BOLTS LEFT	
12	A152232932	1	FINGER NO. 2 BODY NO. 40 W/BOLTS RIGHT	
12	A152233032	1	FINGER NO. 2 BODY NO. 40 W/BOLTS LEFT	
13	A152233132	1	FINGER NO. 3 BODY NO. 40 W/BOLTS RIGHT	
13	A152233232	1	FINGER NO. 3 BODY NO. 40 W/BOLTS LEFT	
14	A152233332	1	FINGER NO. 4 BODY NO. 40 W/BOLTS RIGHT	
14	A152233432	1	FINGER NO. 4 BODY NO. 40 W/BOLTS LEFT	
15	A152233530	1	PLASTIC SPACER 1/2 BODY NO. 40 W/BOLT	
15	A152234130	1	STEEL SPACER 1/2 BODY NO. 40 W/BOLT R	
15	A152234230	1	STEEL SPACER 1/2 BODY NO. 40 W/BOLT L	
16	A152233630	1	PLASTIC SPACER 2/3 BODY NO. 40 W/BOLT	
16	A152234330	1	STEEL SPACER 2/3 BODY NO. 40 W/BOLT R	
16	A152234430	1	STEEL SPACER 2/3 BODY NO. 40 W/BOLT L	
17	A152233730	1	PLASTIC SPACER 3/4 BODY NO. 40 W/BOLT	
17	A152234530	1	STEEL SPACER 3/4 BODY NO. 40 W/BOLT R	
17	A152234630	1	STEEL SPACER 3/4 BODY NO. 40 W/BOLT L	
18	KK012919	1	WASHER D13.0XD24.0X2.50	
19	KK012929	1	WASHER D16.5XD35.0X12.0	
20	KK013001	1	WASHER D26XD14.3X7	
21	KK013228R	1	CS BOLT M12X34	
22	KK013234R	1	SHAREBOLT M12X38	
23	KK013332R	1	BOLT M14X34 W/NUT	
24	KK013333	1	CONE SCREW M14X34	
25	KK013346	1	CONE SCREW M14X45 GALV.	

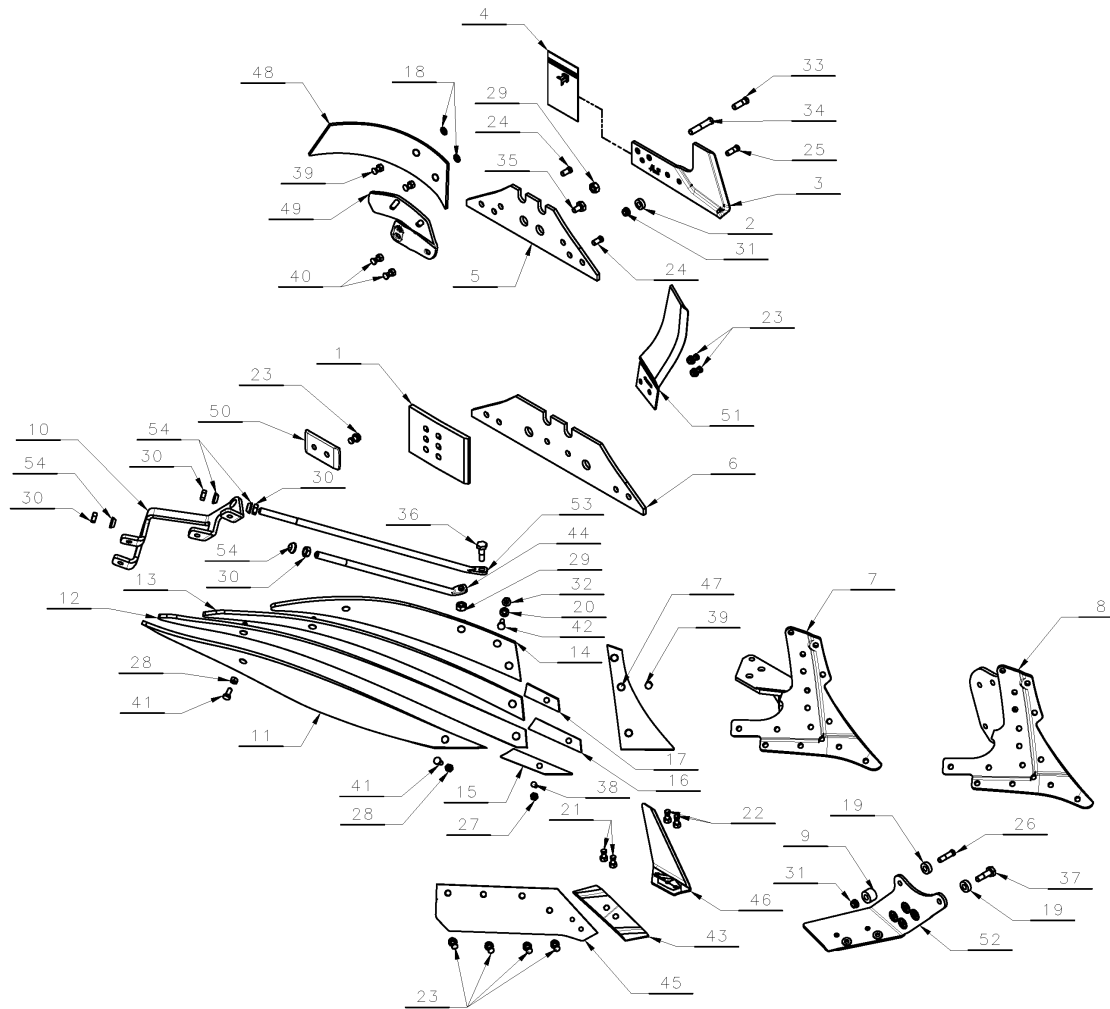


SPMKK003467

AB / BODY NR.40



PosNo.	Part No.	Qty.	Description	Remark
26	KK013361	1	CONE SCREW M14X60 12.9	
27	KK015813	1	NUT M10 GALV.	
28	KK015817	1	NUT M12 GALV.	
29	KK015825	1	M16 NUT	
30	KK015834	1	NUT M20	
31	KK016015	1	FLANGE NUT M14 GALV.	
32	KK016038	1	FLANGE NUT M12	
33	KK031905	1	CONICAL SCREW M16X55 12.9	
34	KK031909	1	CONICAL SCREW M16X90 12.9	
35	KK032725	1	HEX BOLT M16X27 10.9	
36	KK032750	1	HEX BOLT M16X50 10.9	
37	KK032740	1	HEX BOLT M16X40 10.9	For E-saddle
37	KK032755	1	HEX BOLT M16X55 10.9	
37	KK032765	1	HEX BOLT M16X65 10.9 W/WAX	For A- saddle
37	KK032775	1	HEX BOLT M16X75 10.9	(For AB, AD, BE)
38	KK033007	1	OVAL SCREW M10X35 GALV.	
39	KK033100R	1	CS BOLT M12X30	
40	KK033107R	1	BOLT M12X35 W/NUT	
41	KK033116	1	OVAL SCREW M12X35	
42	KK033117	1	OVAL SCREW M12X45	
43	KK053090R	1	REVERSIBLE POINT R BOXED W/BOLTS	
43	KK063090R	1	REVERSIBLE POINT L BOXED W/BOLTS	
44	KK063806R	1	STAY	
44	A152264662	1	STAY SHORT SADDLE A BODY NO. 40	For A-saddle
45	KK07300486	1	SHARE 16 F/REV.POINT RIGHT	40CM
45	KK07300586	1	SHARE 16 F/REV.POINT LEFT	40CM
45	KK07300686	1	SHARE 18 F/REV.POINT RIGHT	45CM
45	KK07300786	1	SHARE 18 F/REV.POINT LEFT	45CM
45	KK07300886	1	SHARE 20 F/REV.POINT RIGHT	50CM
45	KK07300986	1	SHARE 20 F/REV.POINT LEFT	50CM
46	KK073091R	1	SHARE KNIFE R.	
46	KK073092R	1	SHARE KNIFE L.	
46	KK063091R	1	SHARE KNIFE R.	(For Sweden)
46	KK063092R	1	SHARE KNIFE L.	(For Sweden)
47	KK073256R	1	SHINPIECE R.	No.9 and 40
47	KK073257R	1	SHINPIECE L.	No.9 and 40
48	KK073300R	1	TRASHBOARD R	
48	KK073301R	1	TRASHBOARD L.	
49	KK083300R	1	TRASHBOARD BRACKET R BODY NO 30	
49	KK083301R	1	TRASHBOARD BRACKET L BODY NO 30	

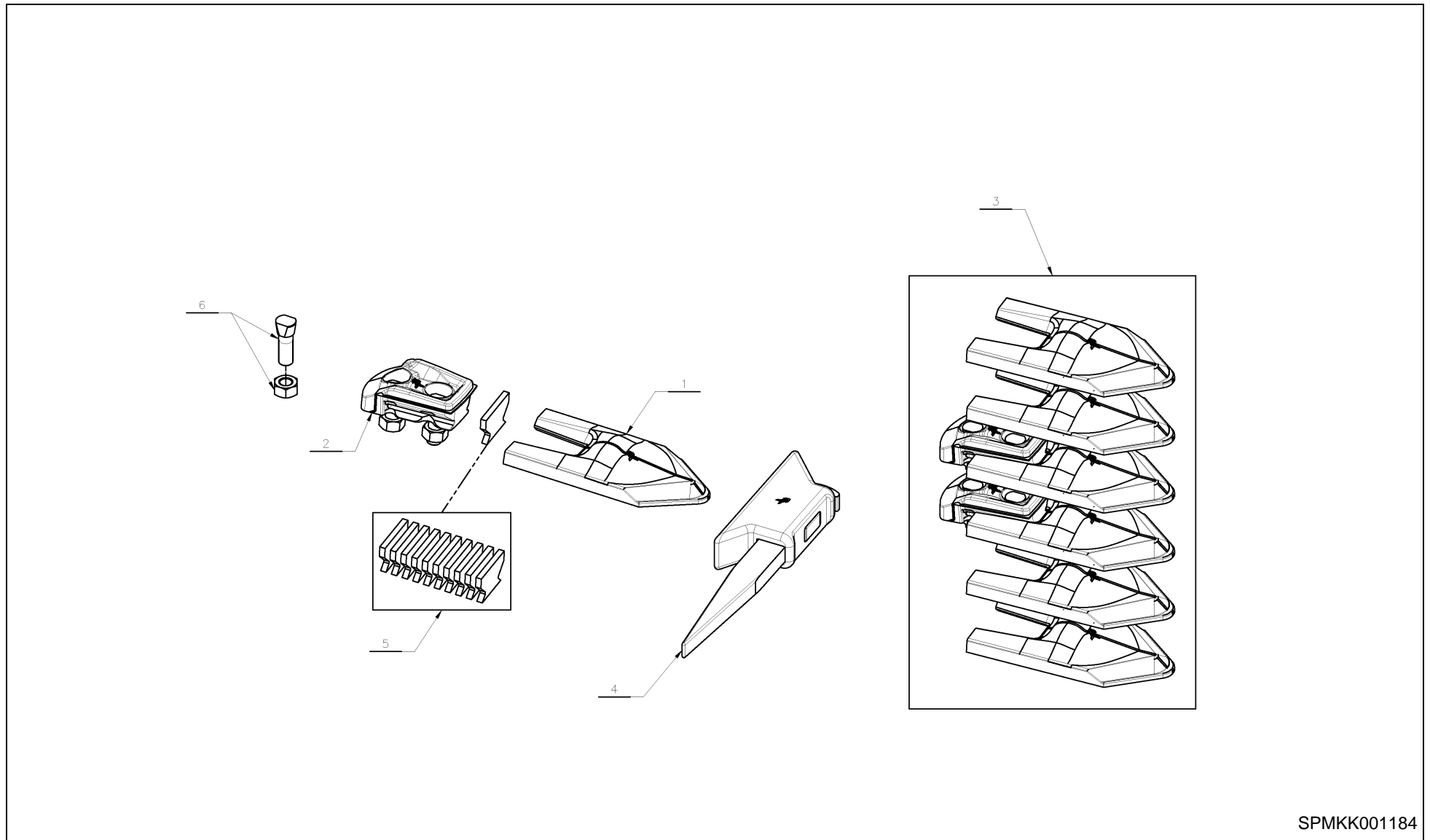


SPMKK003467

AB / BODY NR.40



PosNo.	Part No.	Qty.	Description	Remark
50	KK073614R	1	WEARING PIECE FOR 073609	For landside long A133397494
51	KK073615R	1	FURROW OPENER R.	
51	KK073616R	1	FURROW OPENER L.	
52	KK073634R	1	ECO-SHARE WITH BOLTS RH	
52	KK073635R	1	ECO-SHARE WITH BOLTS LH	
53	KK073831R	1	STAY E-SADDLE R/L	
53	A152264562	1	STAY LONG SADDLE A BODY NO. 40	For A-saddle
54	KK301223	1	CONE D20.5-D32X12	

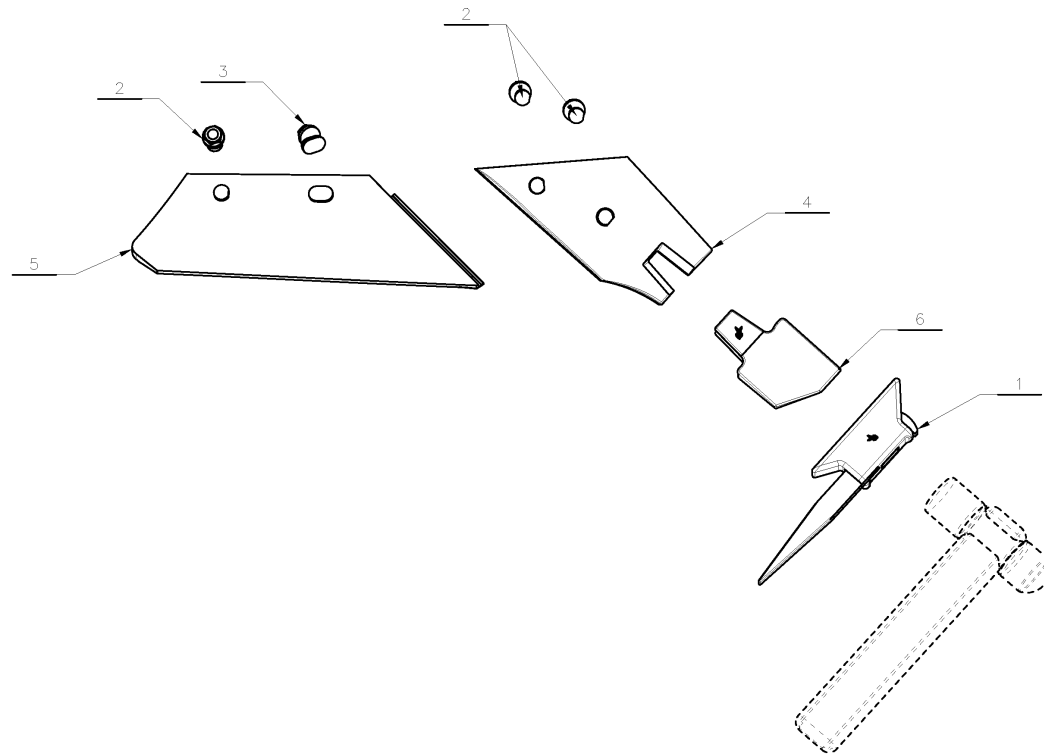


SPMKK001184

AB / KNOCK-ON



PosNo.	Part No.	Qty.	Description	Remark
1	A133016232	1	POINT 80X170	
2	A133016332	1	KNOCK ON HOLDER W/BOLTS	
3	A133017132	1	KNOCK ON KIT	
4	A133147030	1	EJECTOR TOOL	
5	A133501330	1	WEARING PLATE	
6	A152456030	1	CONE SCREW M12X43 W/NUT	

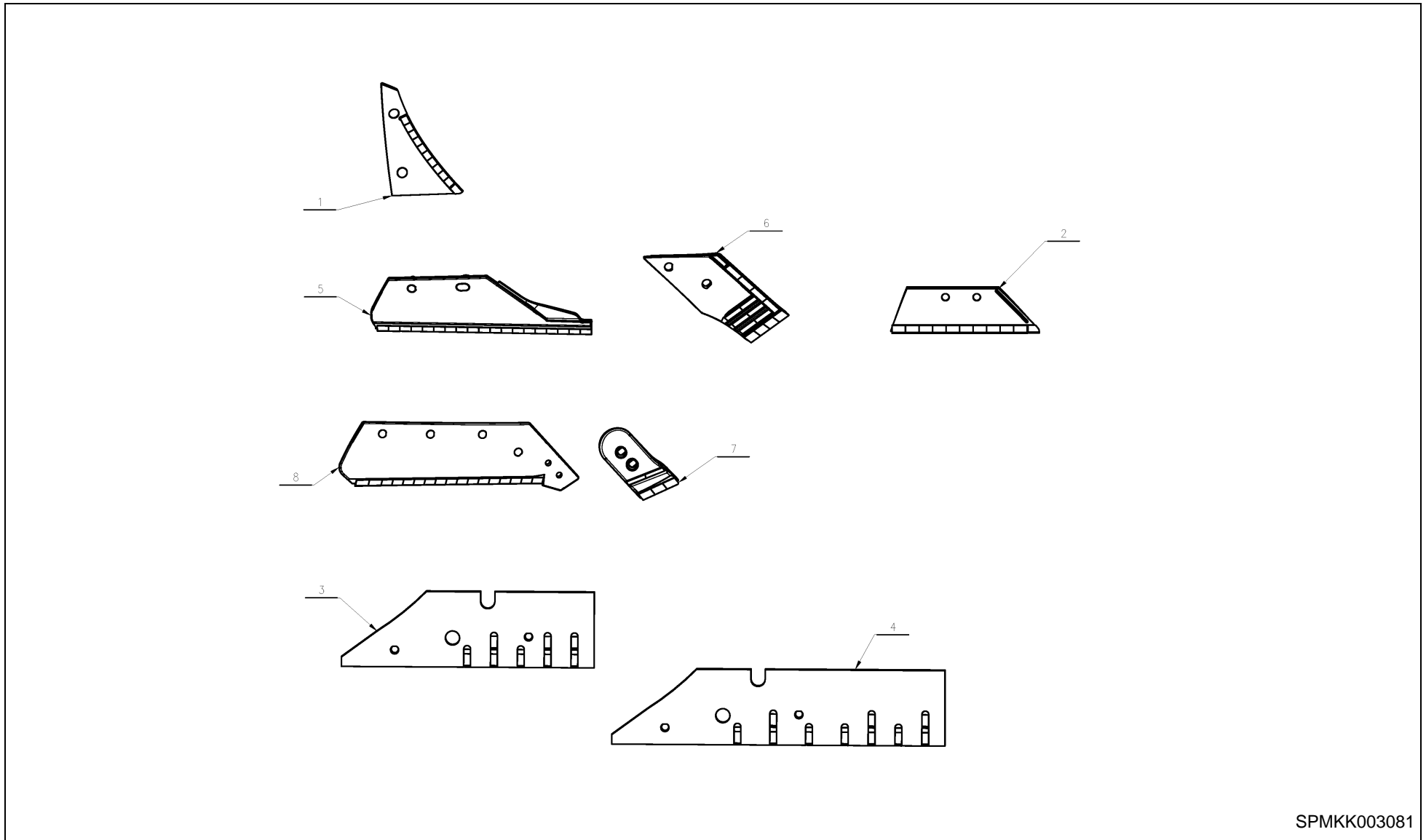


SPMKK002933

AB / QUICK FIT



PosNo.	Part No.	Qty.	Description	Remark
1	A133147030	1	EJECTOR TOOL	
2	KK013332R	1	BOLT M14X34 W/NUT	
3	KK035149	1	CONE SCREW M14X34 OVAL HEAD W/	
4	KK083010R	1	HOLDER FOR POINT RH	
4	KK083011R	1	HOLDER FOR POINT LH	
4	KK083012R	1	QUICK FIT HOLDER CROSS RIGHT W	
4	KK083013R	1	QUICK FIT HOLDER CROSS LEFT W/	
5	KK083016R	1	SHARE QFS 14" R	
5	KK083017R	1	SHARE QFS 14" L	
5	KK083018R	1	SHARE QFS 16" R	
5	KK083019R	1	SHARE QFS 16" L	
5	KK083020R	1	SHARE QFS 18" R	
5	KK083021R	1	SHARE QFS 18" L	
5	KK083022R	1	SHARE QFS 20" R	
5	KK083023R	1	SHARE QFS 20" L	
6	KK083090R	1	POINT QFS	



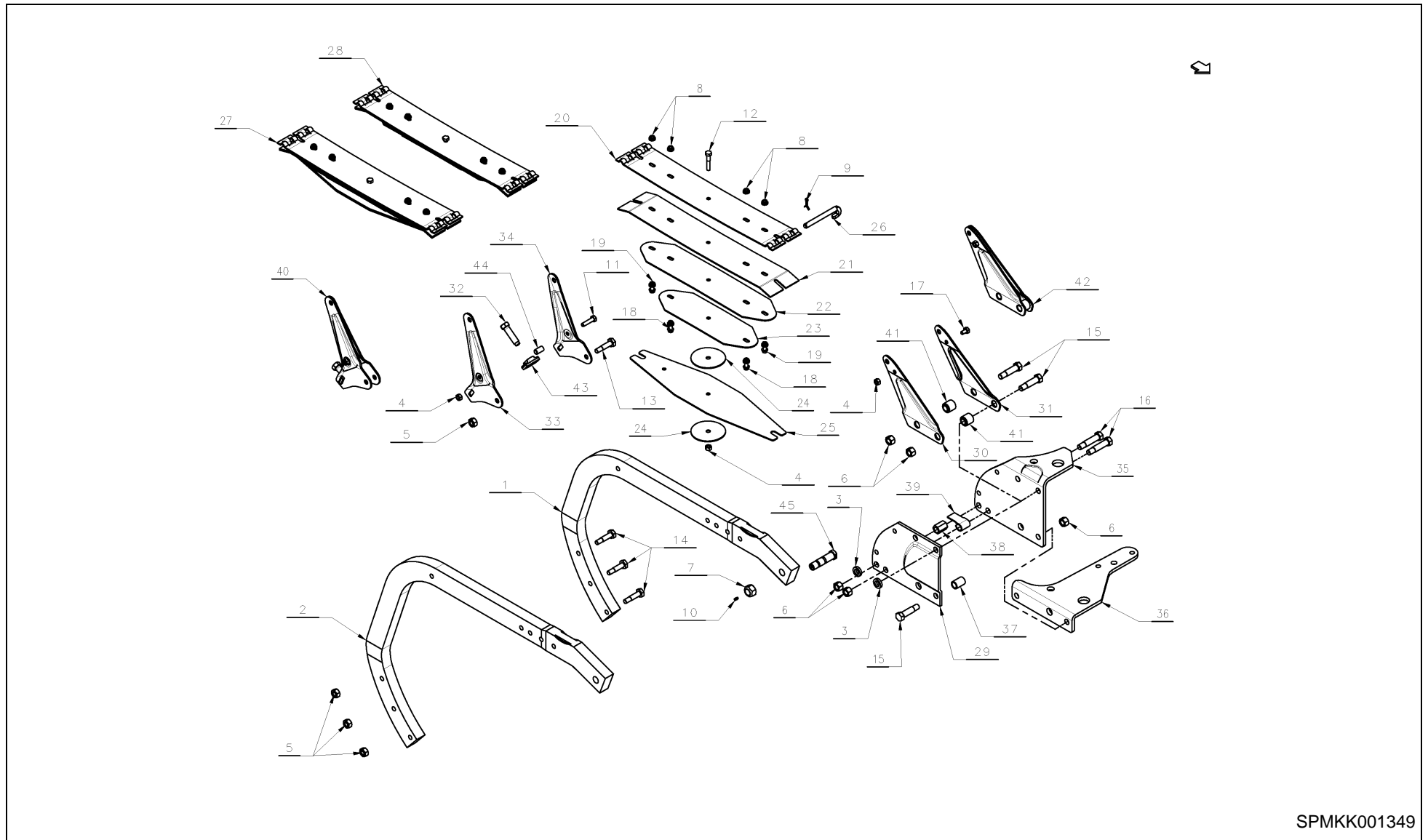
SPMKK003081

AB / CARBIDE FOR BODIES



PosNo.	Part No.	Qty.	Description	Remark
1	A133939430	1	SHIN PIECE II-XHD RIGHT W/BOLTS	FOR BODY 8 AND 28
1	A133939530	1	SHIN PIECE II-XHD LEFT W/BOLTS	FOR BODY 8 AND 28
2	A133949430	1	SKIMMER SHARE II-XHD RIGHT W/BOLTS	
2	A133949530	1	SKIMMER SHARE II-XHD LEFT W/BOLTS	
3	A152001486	1	LANDSIDE II-XHD SHORT RIGHT	
3	A152001586	1	LANDSIDE II-XHD SHORT LEFT	
4	A152001686	1	LANDSIDE II-XHD LONG RIGHT	
4	A152001786	1	LANDSIDE II-XHD LONG LEFT	
5	A152031630	1	SHARE XHD PLUS 16" RIGHT W/BOLTS	FOR BODY 8, 9, 28, 38, 40
5	A152031730	1	SHARE XHD PLUS 16" LEFT W/BOLTS	FOR BODY 8, 9, 28, 38, 40
5	A152031830	1	SHARE XHD PLUS 18" RIGHT W/BOLTS	FOR BODY 8, 9, 28, 38, 40
5	A152031930	1	SHARE XHD PLUS 18" LEFT W/BOLTS	FOR BODY 8, 9, 28, 38, 40
6	A152034230	1	POINT XHD PLUS RIGHT W/BOLTS	FOR BODY 8, 9, 28, 38, 40
6	A152034330	1	POINT XHD PLUS LEFT W/BOLTS	FOR BODY 8, 9, 28, 38, 40
7	A152081030	1	POINT XHD RIGHT W/BOLTS	FOR BODY 8, 9, 28, 38, 40
7	A152081130	1	POINT XHD LEFT W/BOLTS	FOR BODY 8, 9, 28, 38, 40
8	A152081630	1	SHARE XHD 16" RIGHT W/BOLTS	FOR BODY 8, 9, 28, 38, 40
8	A152081730	1	SHARE XHD 16" LEFT W/BOLTS	FOR BODY 8, 9, 28, 38, 40
8	A152081830	1	SHARE XHD 18" RIGHT W/BOLTS	FOR BODY 8, 9, 28, 38, 40
8	A152081930	1	SHARE XHD 18" LEFT W/BOLTS	FOR BODY 8, 9, 28, 38, 40

AB / BEAM (AUTO RESET)

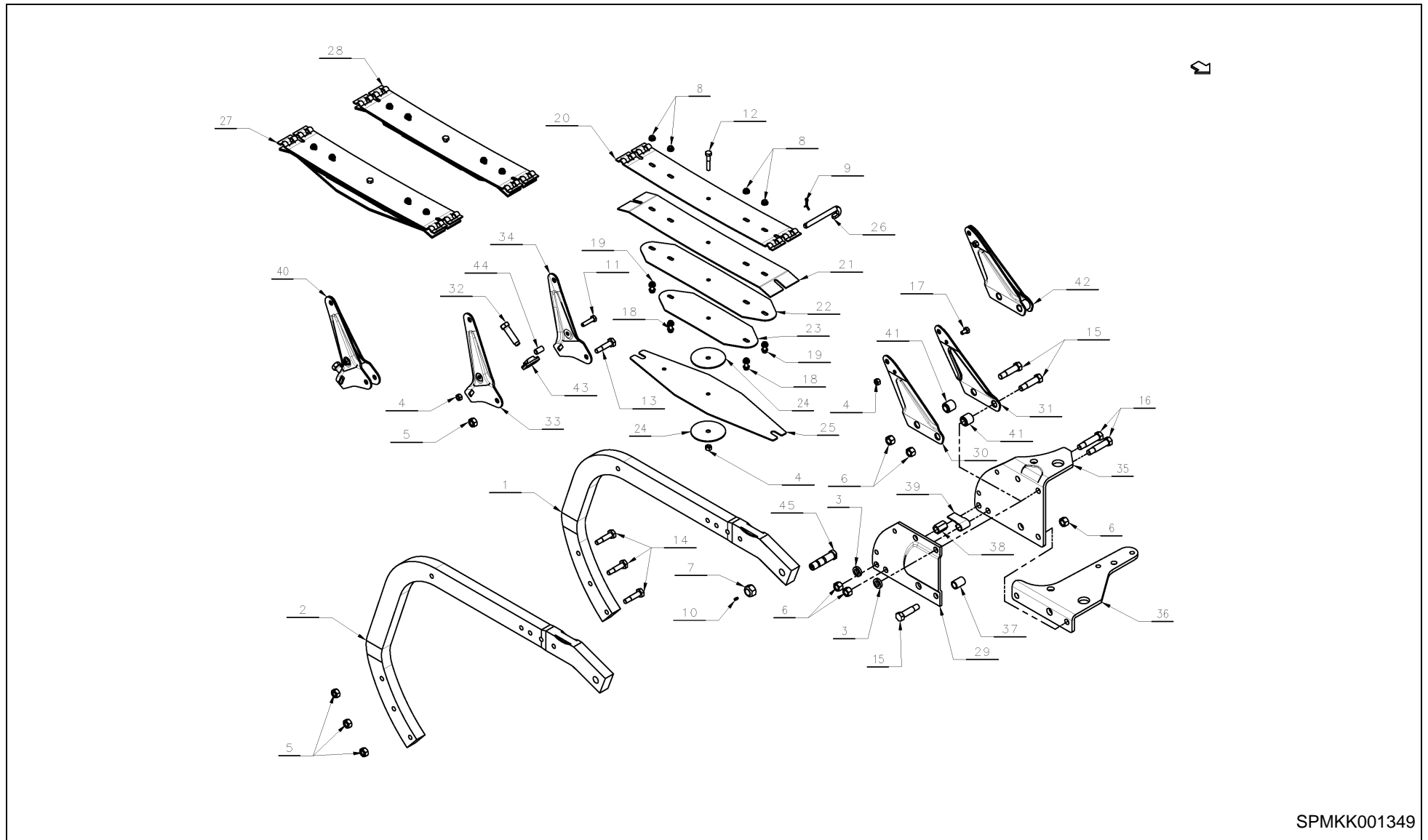


SPMKK001349

AB / BEAM (AUTO RESET)

PosNo.	Part No.	Qty.	Description	Remark
1	A133586894	1	BEAM 700MM	
2	A133586994	1	BEAM 800MM	
3	KK013009	1	WASHER 21,-X 35,-X7,5	
4	KK015817	1	NUT M12 GALV.	
5	KK015825	1	M16 NUT	
6	KK015830	1	NUT M20	
7	KK016001	1	LOCK NUT M24 10 GALV.	
8	KK016007	1	FLANGE NUT M10	
9	KK029727	1	SPLIT PIN D5X32	
10	KK029918	1	GREASE NIPPLE M6	
11	KK032650	1	HEX BOLT M12X50	
12	KK032665	1	HEX BOLT M12X65 GL40	
13	KK032770	1	HEX BOLT M16X70 10.9	
14	KK032774	1	HEX BOLT M16X70 12.9 THREAD L=40	
15	KK032880	1	HEX BOLT M20X80 10.9	
16	KK032890	1	HEX BOLT M20X90 10.9	
17	KK033620	1	HEX BOLT M12X20 GALV.	
18	KK035020R	1	BOLT M10X34	
19	KK035021R	1	BOLT M10X30.5	
20	KK05706388	1	MAIN SPRING BLADE	
21	KK05706488	1	SPRING BLADE NO. 1	
22	KK05706588	1	SPRING BLADE NO. 2	
23	KK05706688	1	SPRING BLADE NO. 3	
24	KK05706788	1	SPRING BLADE NO. 4	
25	KK05706888	1	BLADE NO.5	
26	KK057089	1	SPRING BOLT	
27	KK060703	1	SPRING HD CPL. WITHOUT REGULATOR	
28	KK060709	1	LEAF CPL.	
29	KK061540	1	SUPPORT PLATE	
30	KK067007R	1	PLATE RIGHT	
31	KK067008R	1	PLATE LEFT	
32	KK067042R	1	SCREW FOR SPRINGLOADED GOVERNO	
33	KK067063R	1	SPRING BRACKET RIGHT	
34	KK067064R	1	SPRING BRACKET LEFT	
35	KK071420R	1	PLATE LEFT FOR CONVENTIONAL BEAM	
36	KK071422R	1	LOWER TURNING PLATE AD-AE	
37	KK071500R	1	BUSHING D2035-D28X40,2 EL.GALV.	
38	KK071504	1	EXCENTRIC STOP	
39	KK071507	1	SPACER	
40	KK077000	1	SPRING ARM W/ADJUST SCREW	

AB / BEAM (AUTO RESET)



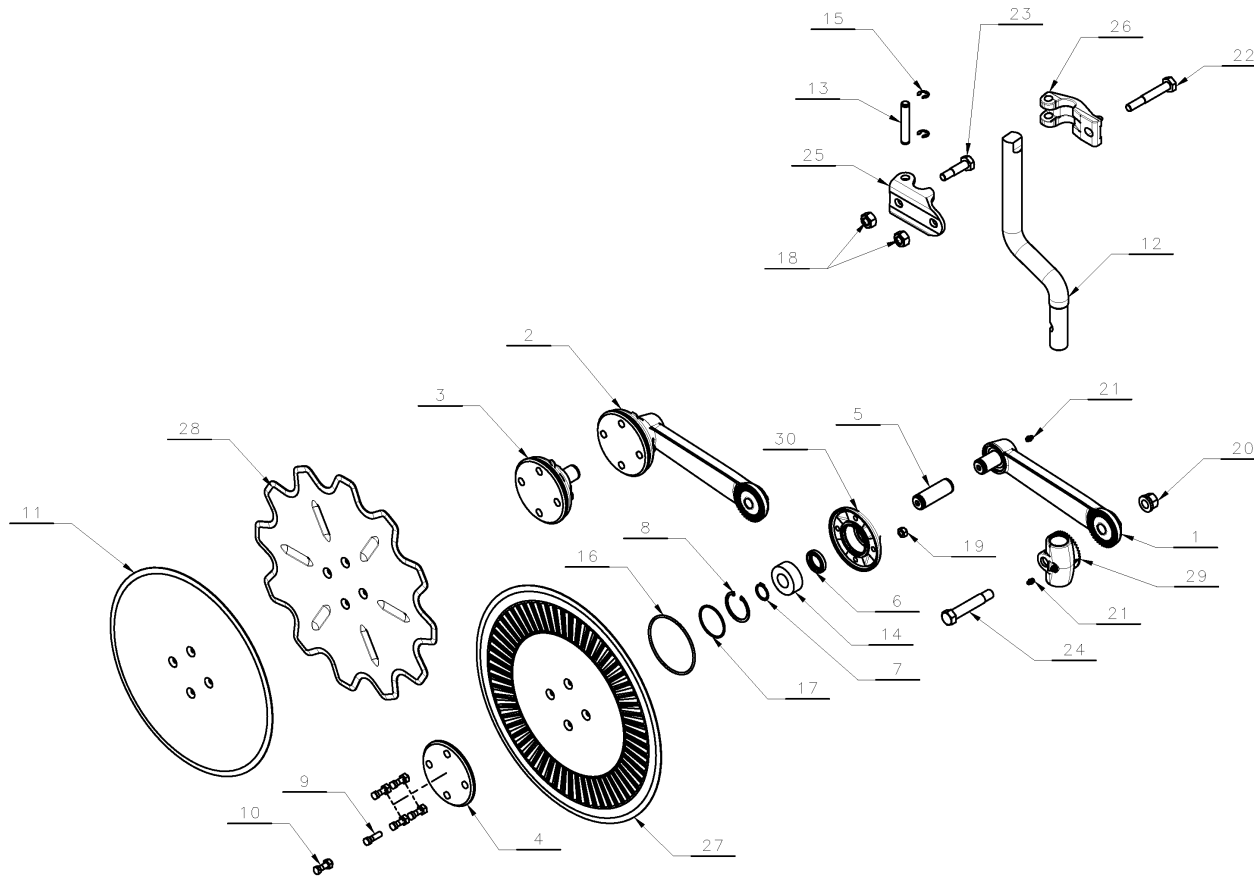
SPMKK001349

AB / BEAM (AUTO RESET)



PosNo.	Part No.	Qty.	Description	Remark
41	KK077001R	1	BUSHING D20.3-D35X38	
42	KK077005R	1	SPRING ARM CPL.	
43	KK077011	1	THREADED PIECE M20	
44	KK077012R	1	SPACING TUBE	
45	KK077020	1	BRG BOLT	

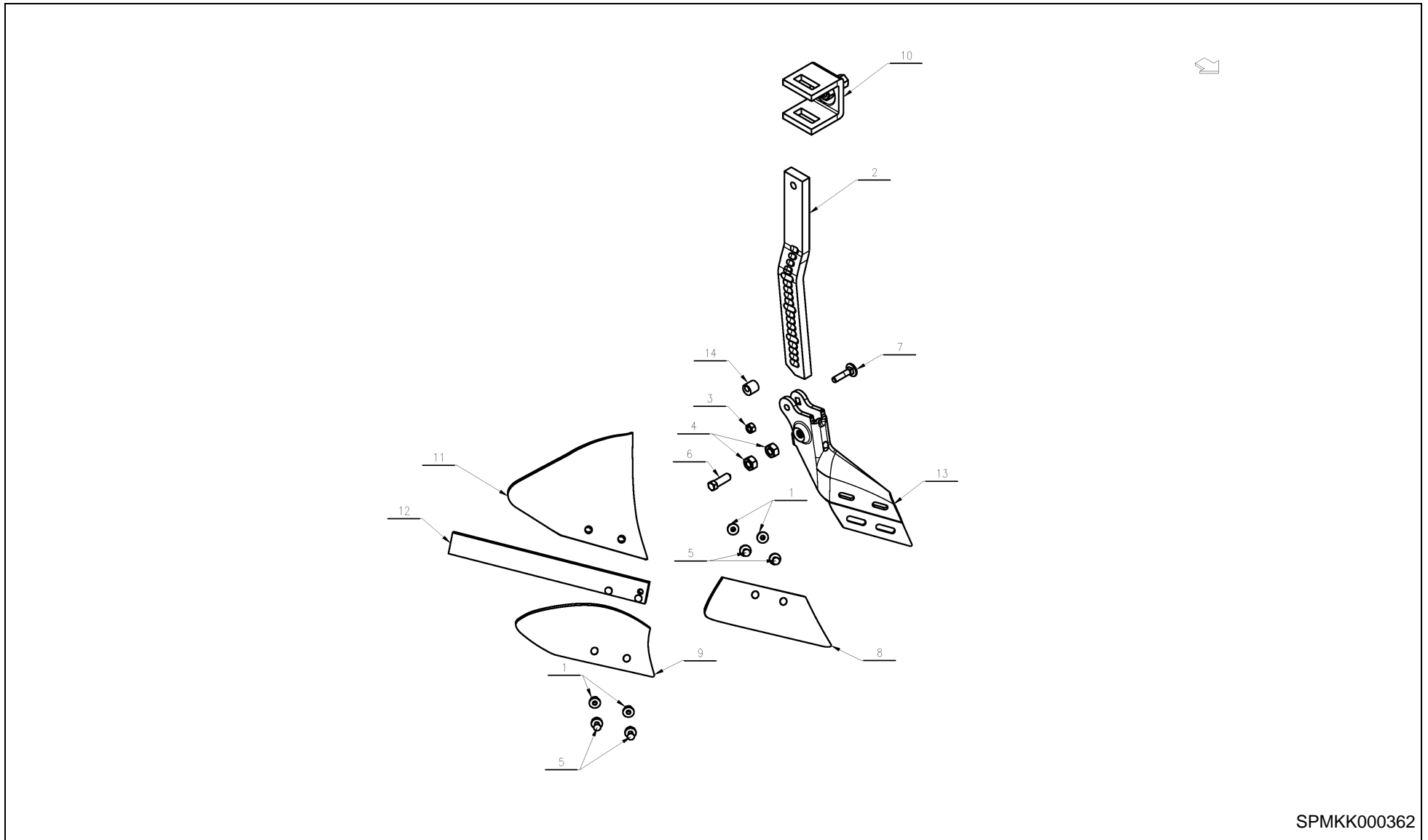
AB / DISC COULTER



SPMKK002977

AB / DISC COULTER

PosNo.	Part No.	Qty.	Description	Remark
1	A133103288	1	ARM WITH AXLE 18-20	
2	A133112588	1	ARM WITH BRG AND AXLE 18-20 IN	
3	A133120730	1	REP. SET FOR BRG HOUSE	
4	A133993832	1	REINFORCEMENT PLATE W/SCREW&NUT	
5	A152734801	1	AXLE W/ GREASE NIPPLE M8X1	
6	KG00017500	1	RADIAL SHAFT SEAL - A 30X47X7	
7	KG01108862	1	CIRCLIP-A 30 X 1.5	
8	KG01129862	1	CIRCLIP-B 62 X 2	
9	KK013315	1	CONICAL SCREW M10X40 GALV.	
10	KK035028	1	CONICAL SCREW M10X40 W/LOCKNUT	
11	KK076406R	1	DISC 18"	
12	KK086419R	1	STEM FOR DISC COULTER	
13	KK010485	1	BOLT WITH GROOVE D16X85.5	
14	KK010572	1	TWO ROW ANGLE CONTACT BALL-BEARING 3206B	
15	KK011272	1	CIRCLIP 12 NS 5145	
16	KK011750	1	O-RING D124.5X3 70 SHORE	
17	KK011866	1	O-RING D67X3 70 SHORE	
18	KK015825	1	M16 NUT	
19	KK016004	1	LOCK NUT M10 METAL LOCKING	
20	KK016012	1	FLANGE NUT M20	
21	KK029920	1	GREASE NIPPLE M8X1 STRAIGHT	
22	KK032702	1	HEX BOLT M16X110	
23	KK032765	1	HEX BOLT M16X65 10.9 W/WAX	
24	KK032803	1	HEX BOLT M20X110	
25	KK076120	1	BRACKET FOR STEM	
26	KK076121	1	CLAMPING PIECE	
27	KK076407R	1	DISC COULTER 20	
28	KK076410R	1	DISC COULTER 20 NOTCHED	
29	KK076437R	1	SWING CASING DISC COULTER Ø20	
30	KK086100	1	BRG HOUSING DISC COULTER	

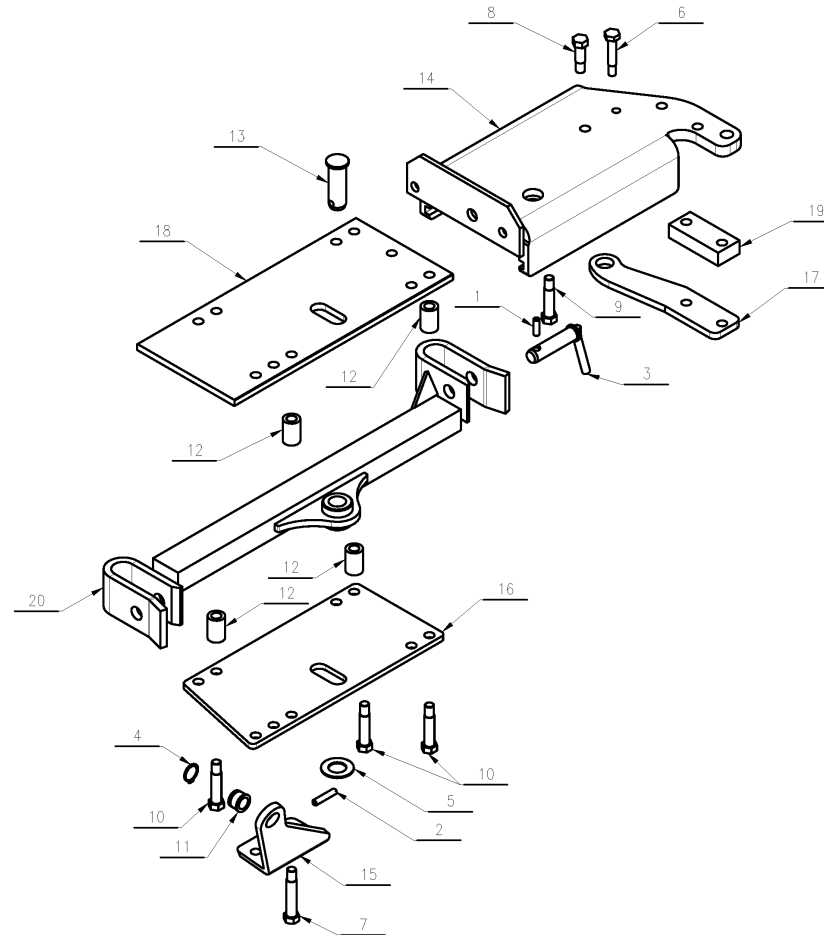


SPMKK000362

AB / SKIMMER



PosNo.	Part No.	Qty.	Description	Remark
1	A133517300	1	FLANGE NUT M10	
2	A133588688	1	ARM NON REVERSABLE	
3	KK015817	1	NUT M12 GALV.	
4	KK015825	1	M16 NUT	
5	KK033006R	1	BOLT M10X30	
6	KK034251	1	SET SCREW M16X50 CONE	
7	KK034755	1	CARRIAGE BOLT M12X55 10.9	
8	KK066868R	1	SHARE R.	
9	KK066880R	1	SKIMMER MOULDBOARD R	
10	KK070653	1	BRACKET W/SETSCREW	
11	KK076812R	1	SKIMMER MOULDBOARD, MAIZE R	
12	KK086801R	1	EXTENSION PIECE SKIMMER	
13	KK086850R	1	SADDLE RIGHT	
14	KK086868R	1	BUSHING Ø25,4X13X24 MM	



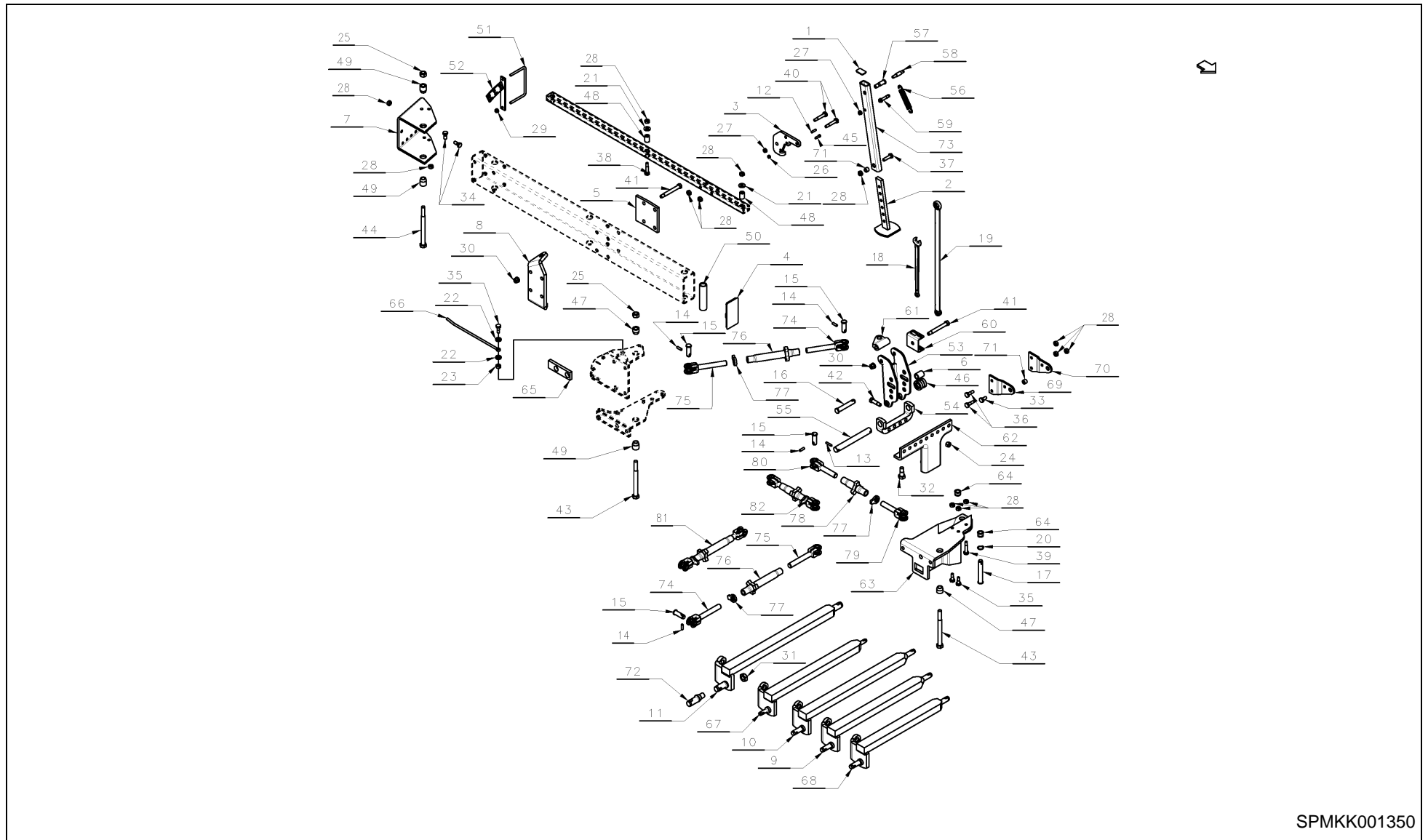
SPMKK000280

AB / CROSS SHAFT



PosNo.	Part No.	Qty.	Description	Remark
1	KG01195462	1	TENSION PIN 12X40	
2	KG01195662	1	TENSION PIN 12X60	
3	KK010343	1	BOLT W/HANDLE 28X100 H12	
4	KK011262	1	CIRCLIP 35X1.5 NS5143 GALV.	
5	KK012951	1	WASHER D36-D65X3	
6	KK032790	1	HEX BOLT M16X90 10.9	
7	KK032803	1	HEX BOLT M20X110	
8	KK032865	1	HEX BOLT M20X65 10.9	
9	KK032890	1	HEX BOLT M20X90 10.9	
10	KK032895	1	HEX BOLT M20X95 10.9	
11	KK071768	1	SL.BRG. W-FLANGE D25.5X25-D35/23	
12	KK071793R	1	BUSHING D20.5-D35X53	
13	KK071794	1	BOLT W/HEAD D35X90	
14	KK074701	1	BRG/SLIDE-PLATE	
15	KK074704	1	BRACKET FOR CYLINDER	
16	KK074705	1	PLATE	
17	KK074706	1	BRACKET FOR TURNBUCKLE	
18	KK074707	1	SLIDE PLATE	
19	KK074708	1	SUPPORT FOR TURNBUCKLE	
20	KK074729	1	CROSS SHAFT TURNABLE CAT.2 L=825	

AB / FRAME PARTS

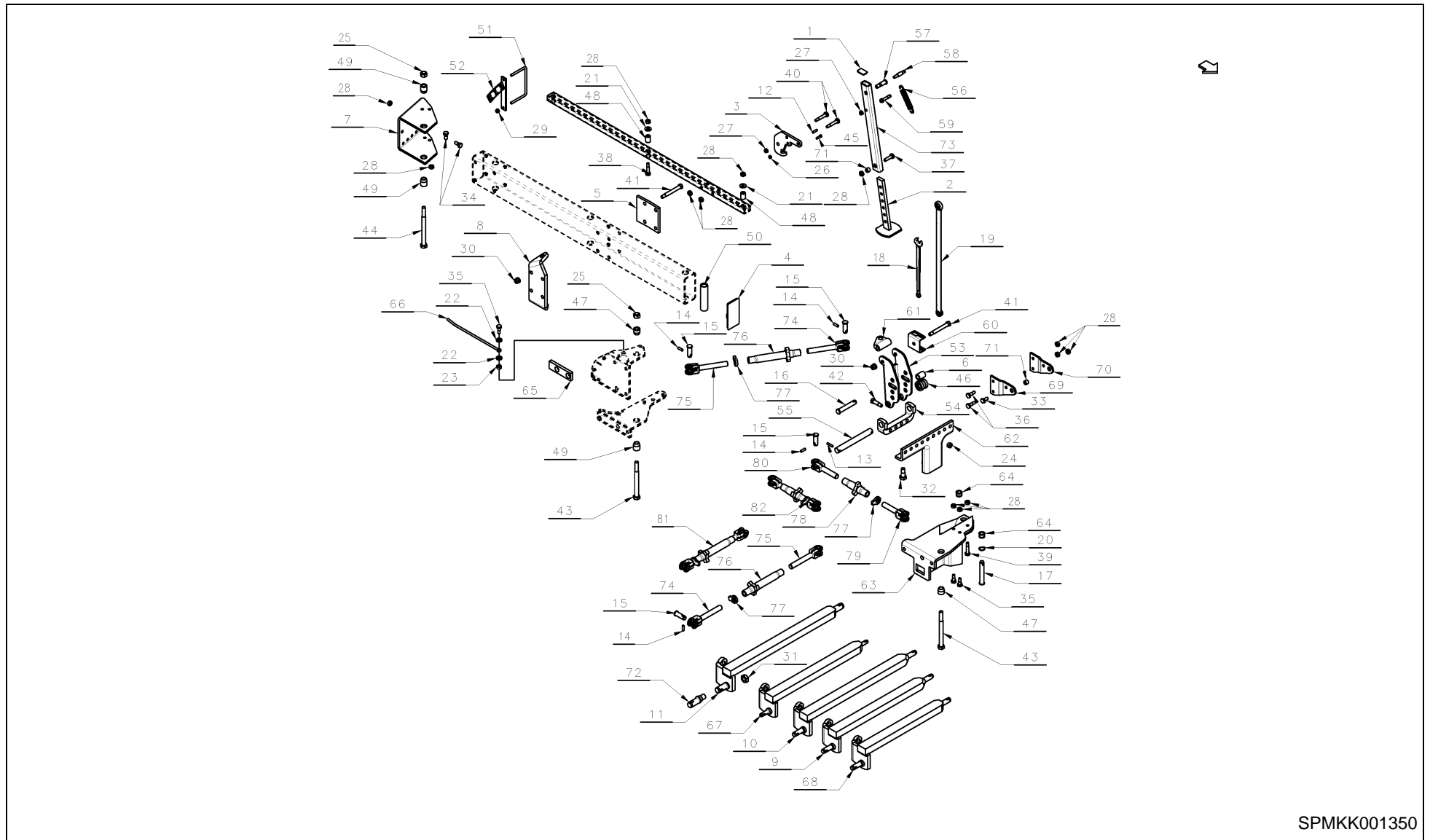


SPMKK001350

AB / FRAME PARTS

PosNo.	Part No.	Qty.	Description	Remark
1	A133304686	1	PLASTIC CUP 60X40X5	
2	A133414194	1	MACHINE STAND LOWER ADJUSTABLE	
3	A133423094	1	BRACKET FOR MACHINE STAND	
4	A133501586	1	COVER FOR TUBE 100 X 200 X 6.3	
5	A133587294	1	PLATE	
6	A133587394	1	BUSHING D26-D38X50	
7	A133587494	1	DEPTH WHEEL HOLDER REAR AB-AD	
8	A133588994	1	BRACKET FOR BRACE	
9	A133589494	1	CROSS-SHAFT CAT.2 L=825	
10	A133589594	1	CROSS-SHAFT CAT 2 L=935	
11	A133589694	1	CROSS-SHAFT CAT.3 L=950	
12	KG01193962	1	TENSION PIN 10X40	
13	KG01194162	1	TENSION PIN 10X50 GALV. DIN1481	
14	KG01195462	1	TENSION PIN 12X40	
15	KK010315	1	BOLT W/ HEAD D25.3X60	
16	KK010321	1	BOLT W/HEAD D25.3X135	
17	KK010323	1	BOLT W/HEAD D25.3X150	
18	KK010606	1	SPANNER NV27-19 L450	
19	KK010650	1	UNIVERSAL SPANNER NV 27-36	
20	KK011262	1	CIRCLIP 35X1.5 NS5143 GALV.	
21	KK012922	1	WASHER D17-D40X4.58	
22	KK013013	1	WASHER D35-D24.5X8	USED ON FIRST FURROW
22	KK012936	1	WASHER D26-D45X7.5 GALV.	USED ON SECOND FURROW
23	KK015825	1	M16 NUT	
24	KK015830	1	NUT M20	
25	KK016001	1	LOCK NUT M24 10 GALV.	
26	KK016006	1	LOCK NUT M10 NYLON	
27	KK016013	1	FLANGE NUT M14 KEY19	
28	KK016025	1	LOCK NUT M16	
29	KK016038	1	FLANGE NUT M12	
30	KK016049	1	FLANGE NUT M20 WITH LOCK	
31	KK016054	1	CONE NUT M30. 90 GR.	
32	KK030960	1	HEX BOLT M24X60 12.9	
33	KK032735	1	HEX BOLT M16X35 10.9	
34	KK032740	1	HEX BOLT M16X40 10.9	
35	KK032745	1	HEX BOLT M16X45 10.9 WITH WAX	
36	KK032750	1	HEX BOLT M16X50 10.9	
37	KK032760	1	HEX BOLT M16X60 10.9 W/WAX	
38	KK032775	1	HEX BOLT M16X75 10.9	
39	KK032780	1	HEX BOLT M16X80 10.9 W/WAX	

AB / FRAME PARTS

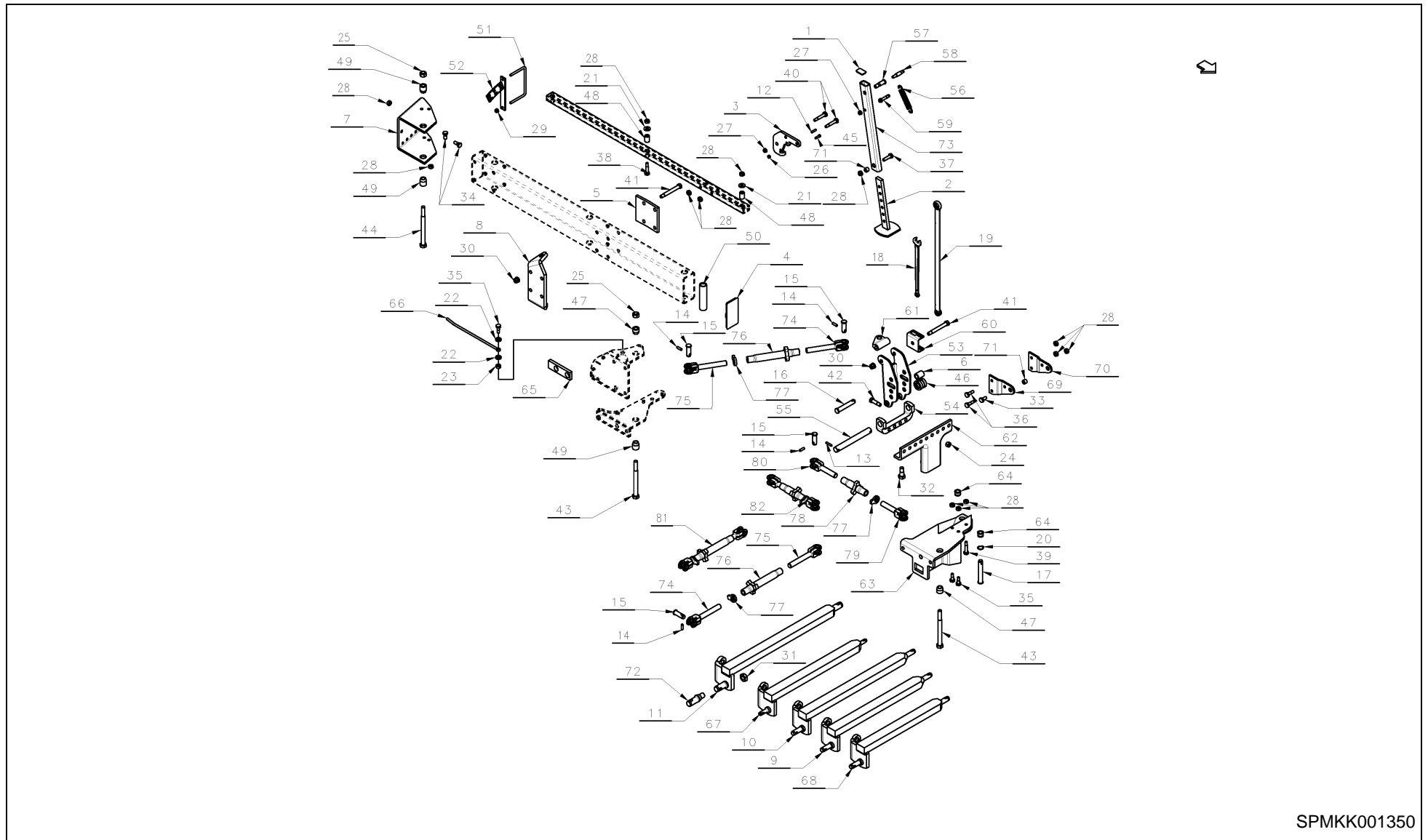


SPMKK001350

AB / FRAME PARTS

PosNo.	Part No.	Qty.	Description	Remark
40	KK032790	1	HEX BOLT M16X90 10.9	
41	KK032808	1	HEX BOLT M20X160 10.9 THREAD L=25	
42	KK032870	1	HEX BOLT M20X70 10.9	
43	KK032926	1	HEX BOLT M24X265 10.9	
44	KK032929	1	HEX BOLT M24X290 10.9	
45	KK035025	1	CHEESE HEAD SCREW M10X30 12.9	
46	KK070215	1	SPACER CPL. ALU	
47	KK071403	1	BUSHING D24.2-D40X36	
48	KK071404	1	BUSHING D16.25-D30X41	
49	KK071413	1	BUSHING D24.2-D40X47	
50	KK071417	1	BUSHING D34.5-D44.5X186	
51	KK071491	1	U-BOLT M12-4SQ203-125	
52	KK071494	1	INDICATOR ASSEMBLED AB-AD-BB-CC	
53	KK071700	1	TOWER	
54	KK071702	1	HINGE FOR TOWER	
55	KK071703R	1	BOLT	
56	KK071711R	1	SPRING FOR MACHINE STAND	
57	KK071712R	1	MAIN BOLT	
58	KK071713	1	FRONT MAIN BOLT FOR SPRING	
59	KK071714R	1	PIN	
60	KK071726	1	BRACKET FOR SPANNER	
61	KK071739	1	BRACE BRACKET FOR HEADSTOCK	
62	KK071760	1	FRONT PLATE	
63	KK071762	1	SWING PLATE	
64	KK071768	1	SL.BRG. W-FLANGE D25.5X25-D35/23	
65	KK071769	1	BEAM STOPPER	
66	KK071853	1	INDICATOR	USED ON SECOND FURROW
67	KK074300	1	CROSS-SHAFT ASSEMBLED CAT. 1 L=825	
68	KK074308	1	CROSS-SHAFT CAT. 2 L=720	
69	KK074316	1	PLATE FOR EXTENSION KIT RIGHT	
70	KK074317	1	PLATE FOR EXTENSION KIT LEFT	
71	KK074319	1	BUSHING D16.5-D25.5X19	
72	KK074392	1	BOLT FOR CROSS-SHAFT CAT.3 M30	
73	KK081624R	1	TUBE FOR ADJUSTABLE PARKING STAND	
74	KK351139	1	SCREW M30X3.5 R THREADS	
75	KK351140	1	SCREW M30X3.5 L THREADS	
76	KK351144	1	TUBE FOR TURNBUCKLE M30X3.5 L340	
77	KK351148	1	COUNTER NUT M30X3,5	
78	KK351170	1	TUBE FOR TURNBUCKLE M30X3.5 L210	
79	KK351172	1	SCREW M30X3.5 R THREADS	

AB / FRAME PARTS

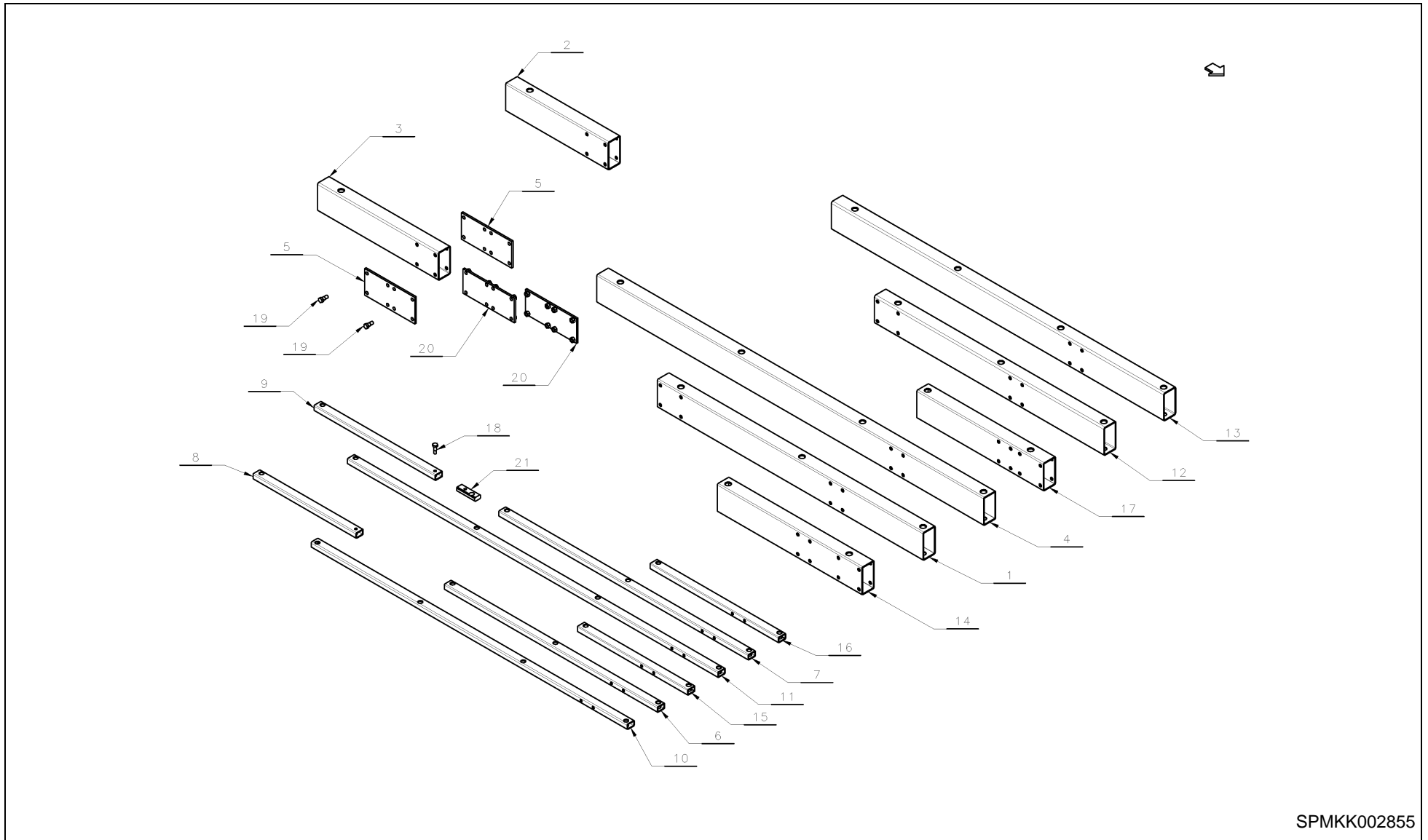


SPMKK001350

AB / FRAME PARTS



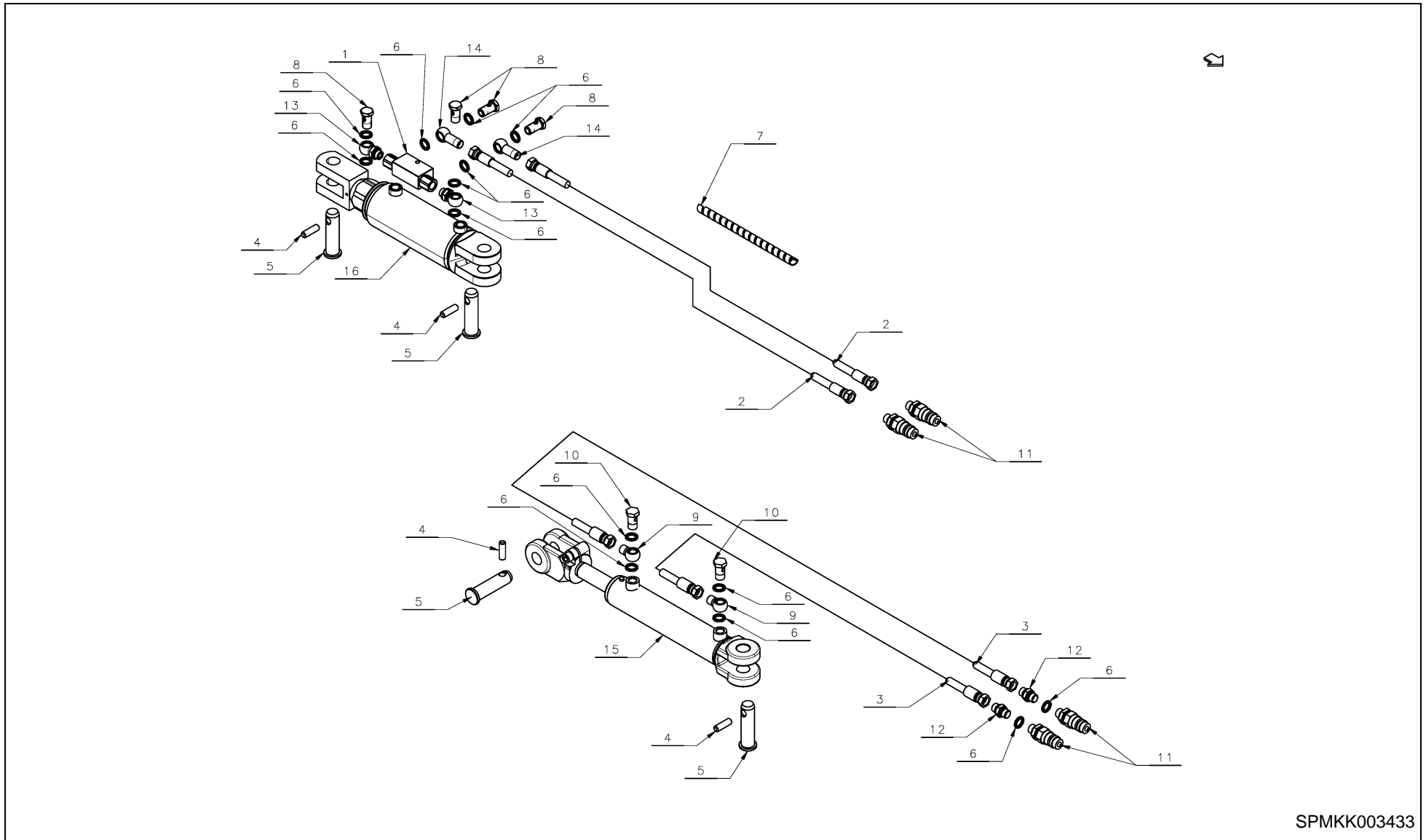
PosNo.	Part No.	Qty.	Description	Remark
80	KK351173	1	SCREW M30X3.5 L THREADS	
81	KK361116	1	TURNBUCKLE 520-720	
82	KK361120	1	TURNBUCKLE 390-520	



SPMKK002855

AB / MAIN FRAME

PosNo.	Part No.	Qty.	Description	Remark
1	A133585794	1	MAIN FRAME AB 100 3 FURROW	
2	A133585894	1	EXTENTION TUBE 85	
3	A133585994	1	EXTENTION TUBE 100	
4	A133586094	1	MAIN FRAME AB 100 4 FURROW	
5	A133586194	1	OUTER SIDE PLATE	
6	A133586294	1	PARALLEL ROD AB 85 3 FURROW	
7	A133586394	1	PARALLEL ROD AB 100 3 FURROW	
8	A133586494	1	PARALLEL ROD EXTENTION KIT ABAD 85	
9	A133586594	1	PARALLEL ROD EXTENT. KIT ABAD 100	
10	A133586694	1	PARALLEL ROD AB 85 4 FURROW	
11	A133586794	1	PARALLEL ROD AB 100 4 FURROW	
12	A133589094	1	MAIN FRAME AB 85 3 FURROW	
13	A133589194	1	MAIN FRAME AB 85 4 FURROW	
14	A152308094	1	MAIN FRAME AB 100 2 FURROW	
15	A152308794	1	PARALLEL ROD AB 85 2 FURROW	
16	A152308894	1	PARALLEL ROD AB 100 2 FURROW	
17	A152336894	1	MAIN FRAME AB 85 2 FURROW	
18	KK032755	1	HEX BOLT M16X55 10.9	
19	KK032845	1	HEX BOLT M20X45 10.9	
20	KK071047	1	INNER SIDE PLATE WELDED	
21	KK071048	1	EXTENTION PIECE	

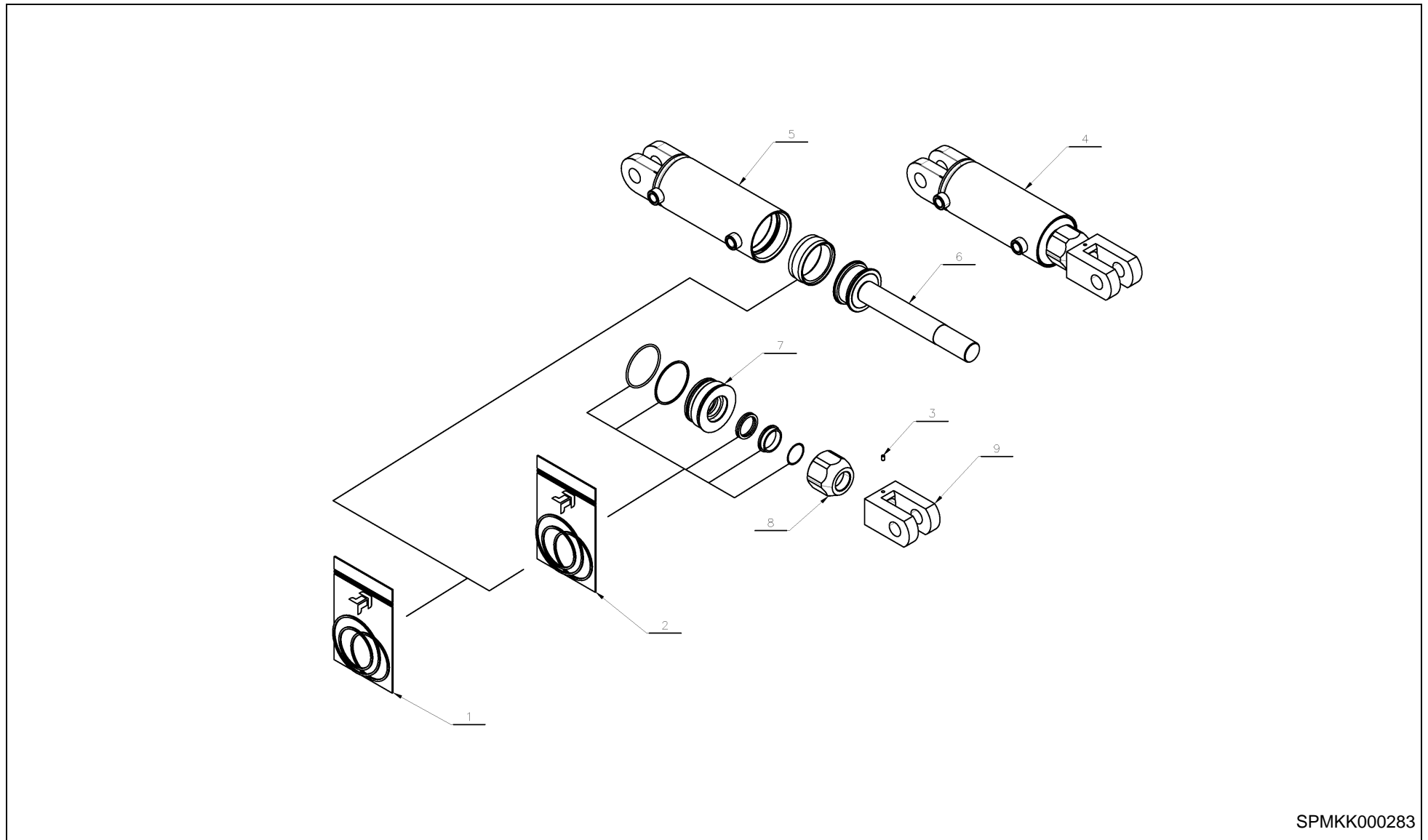


SPMKK003433

AB / HYDRAULICS



PosNo.	Part No.	Qty.	Description	Remark
1	A133813763	1	LOCK VALVE WITHOUT O-RING	
2	A152255630	1	HOSE 1/4X1750 R-SV/R-SV 2 LAYERS	
3	A152500230	1	HOSE 3/8X1600 R-SV/R-SV 2 LAYERS	
4	KG01195462	1	TENSION PIN 12X40	
5	KK010328	1	BOLT W/HEAD D25.3X78	
6	KK011585	1	SEAL RING R 3/8(INNER D17)	
7	KK011596	1	HOSE WRAPPER D12.5X250	
8	KK012059	1	BANJO BOLT G3/8X31	
9	KK012062	1	BANJO G3/8- SHORT-H=17	
10	KK012081	1	BANJOBOLT G3/8/31 D1.0 RESTRICTOR	
11	KK012158	1	QUICK COUPLING 1/2-3/8 W-COUPPL.	
12	KK012261	1	COUPLING 3/8-3/8	
13	KK012548	1	BANJO G3/8 WITH ADJUSTABLE END	
14	KK012576	1	BANJO G3/8-LONG-H17	
15	KK353901	1	CYLINDER D50-D30X520+200	
16	KK354521	1	CYLINDER D75/D35 X 390 + 130	
-		1		

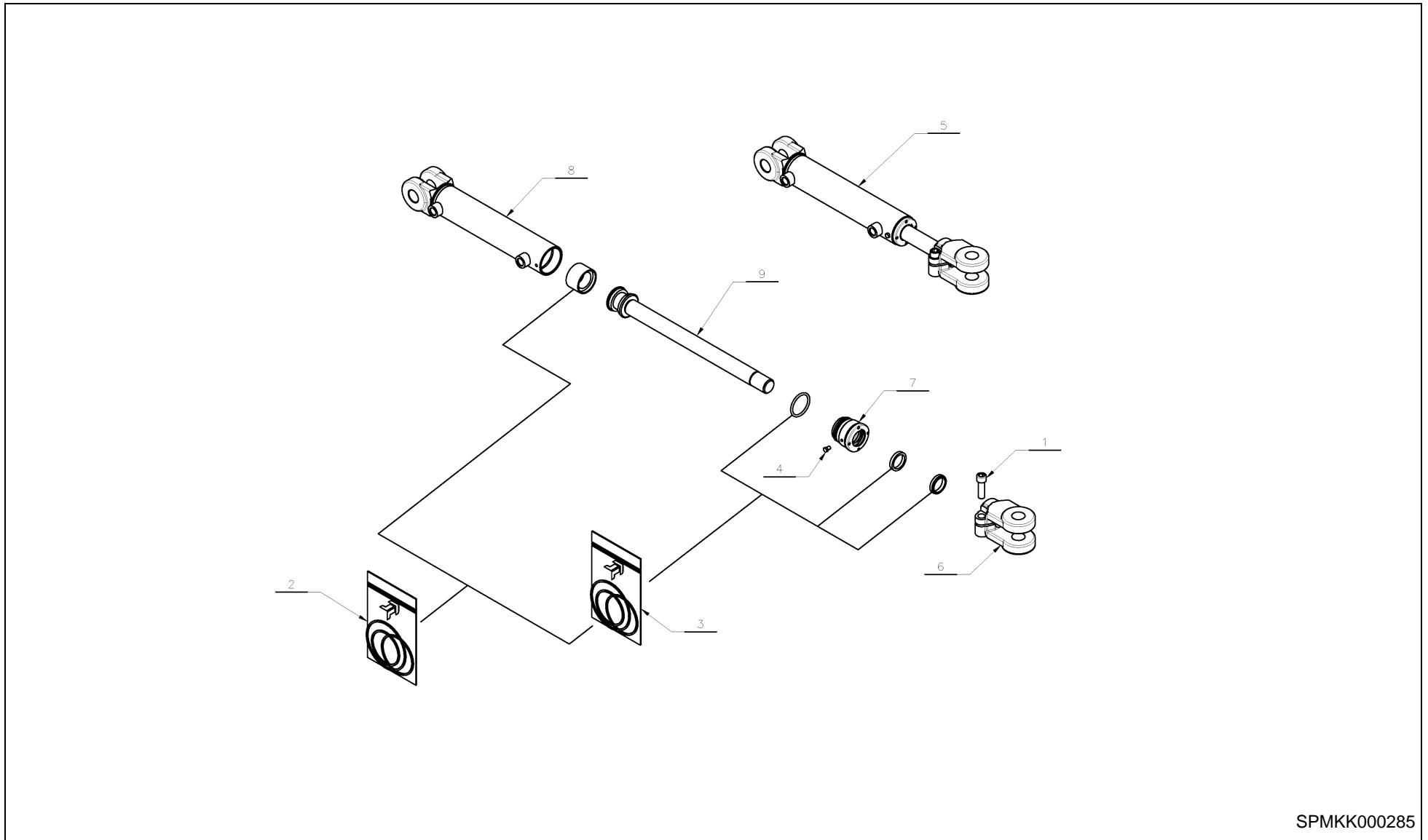


SPMKK000283

AB / CYLINDER D75-D35X390+130 (KK354521)



PosNo.	Part No.	Qty.	Description	Remark
1	KK016583	1	SEALING KIT FOR D75-D35	
2	KK016600	1	SEAL KIT FRONT COVER D75-D35	
3	KK032001	1	SET SCREW HEX HOLE M6X6	
4	KK354521	1	CYLINDER D75/D35 X 390 + 130	
5	KK354598R	1	CYLINDER TUBE D75X130	
6	KK354730R	1	PISTON ROD D75-D35X130	
7	KK354731R	1	END CAP D75-D35	
8	KK354732R	1	NUT	
9	KK354733R	1	CLEVIS	



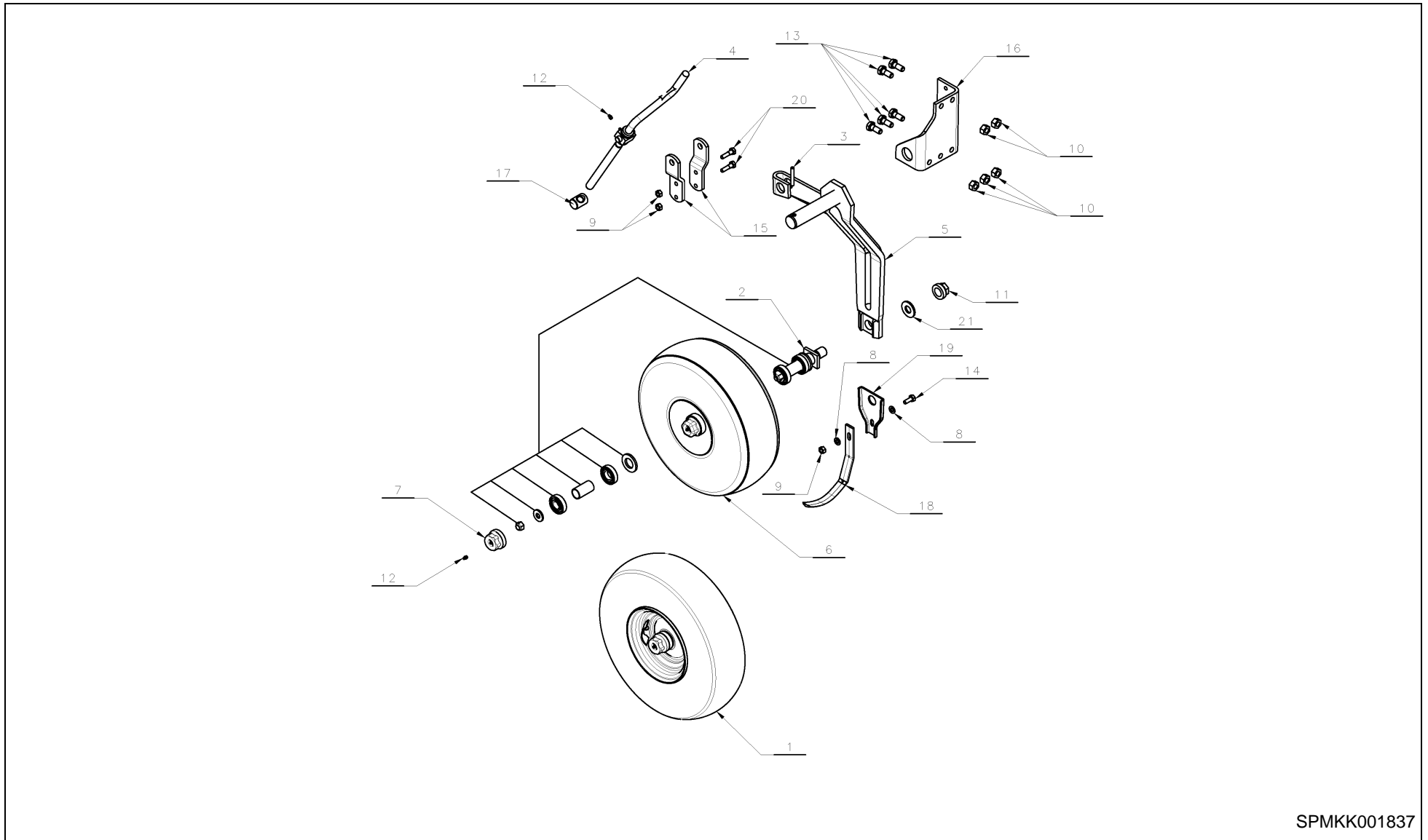
SPMKK000285

AB / CYLINDER D50-D30X520+200(KK353901)



PosNo.	Part No.	Qty.	Description	Remark
1	KG01907200	1	CHEESE HEAD SCREW M12X40 12.9	
2	KK013086	1	SEAL KIT D30-D50	
3	KK016648	1	SEAL KIT FRONTCOVER D50-D30	
4	KK033306	1	HEX BOLT M6X8	
5	KK353901	1	CYLINDER D50-D30X520+200	
6	KK353922	1	CLEVIS D25.5 FOR D30 ROD	
7	KK353926	1	ROD CAP D50-D30 W.SEAL	
8	KK353934	1	CYLINDER TUBE D50	
9	KK353936	1	ROD D30 W.PISTON D50 SHORT THREAD (35MM)	

AB / DEPTH WHEEL 500 X 165 AND 6.00 X 9

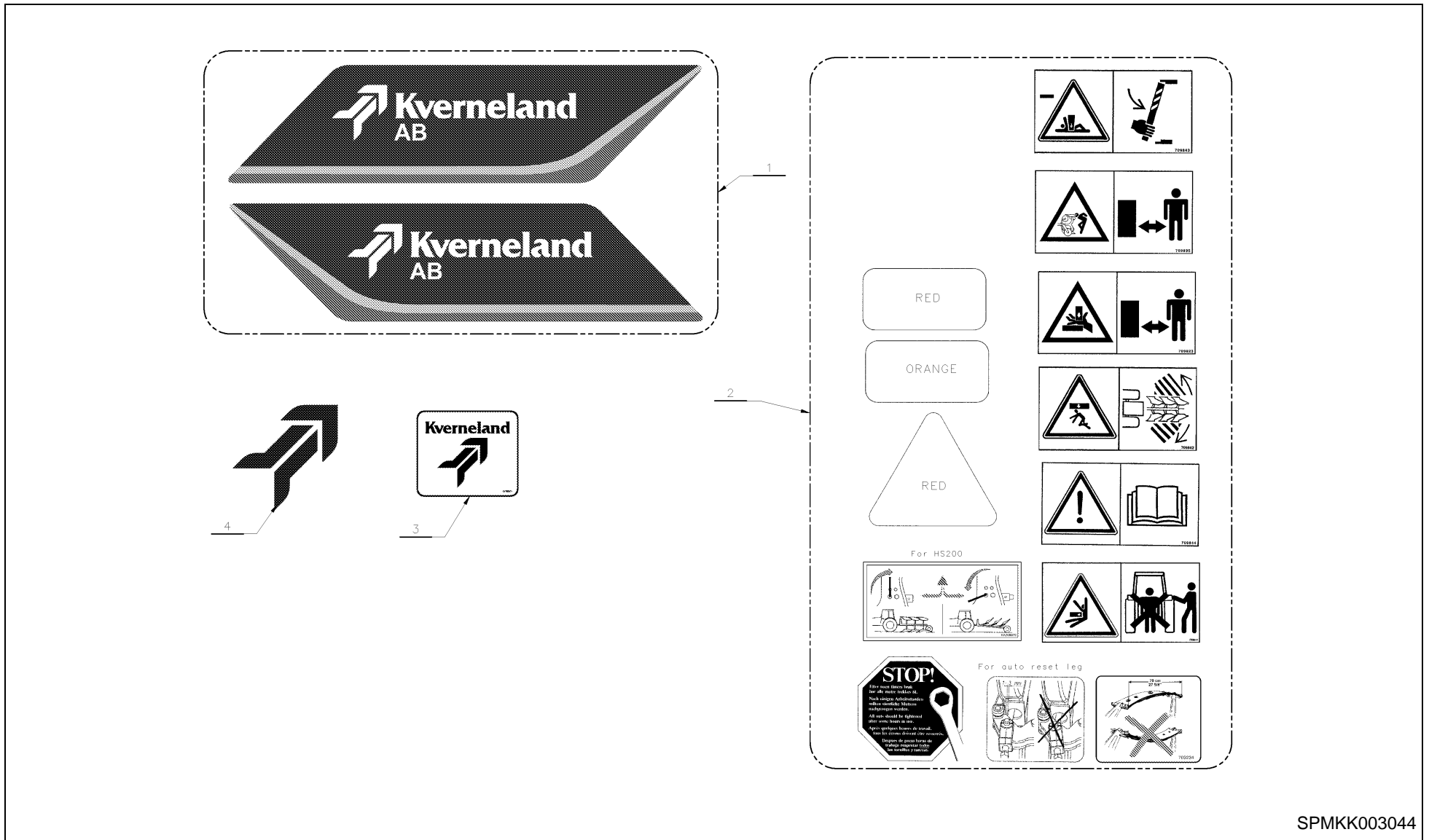


SPMKK001837

AB / DEPTH WHEEL 500 X 165 AND 6.00 X 9



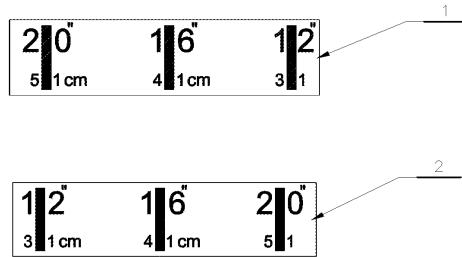
PosNo.	Part No.	Qty.	Description	Remark
1	A133337530	1	WHEEL 6.00X9 W/AXLE	
2	A133340730	1	AXLE KIT FOR WHEEL 6.00X9	
3	KG01194362	1	TENSION PIN 10X70	
4	KK064118R	1	CRANK W/BRG MOUNT.	
5	KK064130R	1	ARM	
6	KK070459	1	WHEEL W/AXEL /BRG CPL.	
7	KK011167	1	HUB CAP 62 MM W.NIPPLE	
8	KK012919	1	WASHER D13.0XD24.0X2.50	
9	KK015817	1	NUT M12 GALV.	
10	KK015825	1	M16 NUT	
11	KK016022	1	FLANGE NUT M30 10 KEY36	
12	KK029920	1	GREASE NIPPLE M8X1 STRAIGHT	
13	KK032740	1	HEX BOLT M16X40 10.9	
14	KK033630	1	HEX BOLT M12X30 GALV.	
15	KK064021	1	CRANK BRG FOR DEPTH WHEEL	
16	KK064026	1	BRG PIECE FOR DEPTH WHEEL	
17	KK064117	1	THREADED PIECE M24	
18	KK071729	1	SCRAPER RUBBER WHEEL	
19	KK071740	1	BRACKET FOR SCRAPER	
20	KK032645	1	HEX BOLT M12X45 8.8	
21	KK012940	1	WASHER D25.4-D55X4.58	



AB / TRANSFERS



PosNo.	Part No.	Qty.	Description	Remark
1	A152076232	1	KIT FOR DECALS AB	
2	A133439630	1	STICKERS KIT SAFETY	
3	KK709831	1	DECAL KVERNELAND & LOGO (ARROW)	
4	KK709737	1	DECAL KVERNELAND (ARROW ONLY)	



AB / TRANSFERS



PosNo.	Part No.	Qty.	Description	Remark
1	A133420674	1	SCALE DECAL-R 12"-20"	
2	A133420774	1	SCALE DECAL-L 12"-20"	

WARNING: Cancer and Reproductive Harm - www.P65warnings.ca.gov

	WARNING AREA OF RISK Daily crushing force applied from above. To avoid death or serious injury, stay clear of the articulation when the tractor is running.		WARNING AREA OF RISK Sharp parts of the plough can be dangerous. To avoid death or serious injury, stay a safe distance from the articulations of the machine.
	WARNING CRUSHING HAZARD Risk of death or injury. To avoid death or serious injury, attach support before maintenance and service work start.		WARNING READ THE MANUAL The machine must not be operated until the operator's manual has been read and understood. To avoid death or serious injury, read the manual first.
	WARNING UNEXPECTED MOVEMENT The machine may move if the deflative is open. To avoid accidents and serious injury, close the ball valve for road travel.		WARNING STOP! Check for loose bolts and nuts. To avoid accident and serious injury, re-tighten all bolts and nuts at regular intervals.
	WARNING RISK OF CRUSHING • Never reach into an area where parts are still likely to move. To avoid fatal or serious injury, keep your hands out.		DANGER MOVABLE PARTS • Always risk of injury by steering or holding parts. To avoid death or serious injury, keep out of the steering range.
	DANGER AREA OF RISK Risk of death or serious injury when coupling, uncoupling or operating. To avoid death or serious injury, keep away from this area.		

1

AVERTISSEMENT: Cancer et dommages au système reproductif - www.P65warnings.ca.gov

	AVERTISSEMENT ZONE DE RISQUE Ecrasement du corps. Force appliquée du dessus. Afin d'éviter la mort ou des blessures graves, restez à distance articulations lorsque le tracteur est en marche.		AVERTISSEMENT ZONE DE RISQUE Les zones coupantes de la charrue peuvent être dangereuses. Afin d'éviter la mort ou des blessures graves, restez à distance articulations de la machine.
	AVERTISSEMENT RISQUE D'ÉCRASEMENT Risque de mort ou blessure. Pour éviter une blessure grave ou mortelle, attachez le support avant le début de travaux d'entretien et de service.		AVERTISSEMENT LIRE LE MANUEL D'ENTRETIEN La machine ne doit pas être utilisée avant d'avoir lu et compris le manuel de l'utilisateur. Pour éviter des blessures graves, voire mortelles, lisez le manuel d'abord.
	AVERTISSEMENT MOVEMENT INATTENDU Le tracteur peut sauter soudainement sous la force des pneus gonflés. Pour éviter une blessure grave ou mortelle, gardez les mains en dehors.		AVERTISSEMENT STOP! Vérifiez les boulons et écrous. Afin d'éviter un accident ou une blessure grave, resserrer tous les boulons et écrous à intervalles réguliers.
	AVERTISSEMENT RISQUE D'ÉCRASEMENT • Ne jamais mettre la main à un endroit où des pièces peuvent encore bouger. Pour éviter une blessure grave ou mortelle, garder les mains en dehors.		DANGER PIÈCES MOBILES • Grand risque de blessure par pièces pivotantes ou pilières. Pour éviter une blessure grave ou mortelle, se tenir hors de portée de toute pièce pivotante.
	DANGER ZONE DANGEREUSE Risque de blessure grave ou mortelle lors de l'accouplage ou du fonctionnement de la machine. Afin d'éviter toute blessure grave ou mortelle, restez en dehors de cette zone.		

2

SPMKK001797

AB / STICKERS ANSI



PosNo.	Part No.	Qty.	Description	Remark
1	A133923730	1	KIT FOR ANSI STICKERS-EN	
2	A133923830	1	KIT FOR ANSI STICKERS-FR	

AB / Part No Index



Part No.	Page	Pos No	Part No.	Page	Pos No	Part No.	Page	Pos No	Part No.	Page	Pos No
	15	-	A133257188	4	7	A133517300	11	1	A133797230	3	45
A133016232	6	1	A133301861	4	8	A133585794	14	1	A133797330	3	45
A133016332	6	2	A133304686	13	1	A133585894	14	2	A133813763	15	1
A133017132	6	3	A133311261	4	9	A133585994	14	3	A133873894	1	36
A133097232	1	1	A133320330	4	10	A133586094	14	4	A133873994	1	36
A133097232	5	1	A133320430	4	10	A133586194	14	5	A133903430	1	35
A133103288	10	1	A133337530	18	1	A133586294	14	6	A133903530	1	35
A133112588	10	2	A133340730	18	2	A133586394	14	7	A133923730	21	1
A133120730	10	3	A133397394	1	5	A133586494	14	8	A133923830	21	2
A133147030	6	4	A133397394	3	4	A133586594	14	9	A133939430	8	1
A133147030	7	1	A133397394	4	11	A133586694	14	10	A133939530	8	1
A133217961	1	2	A133397394	5	5	A133586794	14	11	A133949430	8	2
A133217961	3	1	A133397494	1	6	A133586894	9	1	A133949530	8	2
A133217961	4	1	A133397494	3	5	A133586994	9	2	A133993832	10	4
A133217961	5	2	A133397494	4	12	A133587294	13	5	A152001486	8	3
A133218178	4	2	A133397494	5	6	A133587394	13	6	A152001586	8	3
A133229488	1	3	A133414194	13	2	A133587494	13	7	A152001686	8	4
A133229488	3	2	A133420674	20	1	A133588688	11	2	A152001786	8	4
A133229488	4	3	A133420774	20	2	A133588994	13	8	A152031630	8	5
A133229488	5	3	A133423094	13	3	A133589094	14	12	A152031730	8	5
A133229588	1	3	A133439630	19	2	A133589194	14	13	A152031830	8	5
A133229588	3	2	A133451994	1	7	A133589494	13	9	A152031930	8	5
A133229588	4	3	A133452094	1	7	A133589594	13	10	A152034230	8	6
A133229588	5	3	A133452194	1	8	A133589694	13	11	A152034330	8	6
A133230330	1	4	A133452194	4	13	A133694094	5	7	A152076232	19	1
A133230330	3	3	A133452294	1	8	A133694194	5	7	A152077688	1	9
A133230330	4	4	A133452294	4	13	A133730894	5	8	A152077688	3	7
A133230330	5	4	A133453394	3	6	A133730994	5	8	A152077688	4	16
A133256694	4	5	A133453494	3	6	A133787894	4	15	A152077688	5	9
A133256794	4	5	A133501330	6	5	A133796830	3	43	A152077788	1	9
A133256894	4	6	A133501586	13	4	A133796930	3	43	A152077788	3	7
A133256994	4	6	A133504288	4	14	A133797030	3	44	A152077788	5	9
A133257088	4	7	A133504388	4	14	A133797130	3	44	A152081030	8	7

AB / Part No Index



Part No.	Page	Pos No	Part No.	Page	Pos No	Part No.	Page	Pos No	Part No.	Page	Pos No
A152081130	8	7	A152308094	14	14	KK011750	10	16	KK013228R	1	15
A152081630	8	8	A152308794	14	15	KK011866	10	17	KK013228R	3	12
A152081730	8	8	A152308894	14	16	KK012059	15	8	KK013228R	4	20
A152081830	8	8	A152336894	14	17	KK012062	15	9	KK013228R	5	21
A152081930	8	8	A152456030	6	6	KK012081	15	10	KK013234R	1	16
A152116694	3	8	A152500230	15	3	KK012158	15	11	KK013234R	3	13
A152116794	3	8	A152734801	10	5	KK012261	15	12	KK013234R	4	21
A152154194	5	10	KG00017500	10	6	KK012548	15	13	KK013234R	5	22
A152154294	5	10	KG01108862	10	7	KK012576	15	14	KK013315	10	9
A152217432	1	10	KG01129862	10	8	KK012919	1	12	KK013332R	1	17
A152217532	1	11	KG01193962	13	12	KK012919	4	17	KK013332R	3	14
A152217632	3	9	KG01194162	13	13	KK012919	5	18	KK013332R	4	22
A152217732	3	10	KG01194362	18	3	KK012919	18	8	KK013332R	5	23
A152232732	5	11	KG01195462	12	1	KK012922	2	-	KK013332R	7	2
A152232832	5	11	KG01195462	13	14	KK012922	2	-	KK013333	1	18
A152232932	5	12	KG01195462	15	4	KK012922	13	21	KK013333	3	15
A152233032	5	12	KG01195662	12	2	KK012927	1	13	KK013333	5	24
A152233132	5	13	KG01907200	17	1	KK012927	2	-	KK013346	1	19
A152233232	5	13	KK010315	13	15	KK012927	2	-	KK013346	3	16
A152233332	5	14	KK010321	13	16	KK012927	4	18	KK013346	4	23
A152233432	5	14	KK010323	13	17	KK012929	1	14	KK013346	5	25
A152233530	5	15	KK010328	15	5	KK012929	3	11	KK013361	1	20
A152233630	5	16	KK010343	12	3	KK012929	4	19	KK013361	3	17
A152233730	5	17	KK010485	10	13	KK012929	5	19	KK013361	4	24
A152234130	5	15	KK010572	10	14	KK012936	13	22	KK013361	5	26
A152234230	5	15	KK010606	13	18	KK012940	18	21	KK013385	3	17
A152234330	5	16	KK010650	13	19	KK012951	12	5	KK015813	3	18
A152234430	5	16	KK011167	18	7	KK012997	2	-	KK015813	4	25
A152234530	5	17	KK011262	12	4	KK012997	2	-	KK015813	5	27
A152234630	5	17	KK011262	13	20	KK013001	5	20	KK015817	2	-
A152255630	15	2	KK011272	10	15	KK013009	9	3	KK015817	2	-
A152264562	5	53	KK011585	15	6	KK013013	13	22	KK015817	2	-
A152264662	5	44	KK011596	15	7	KK013086	17	2	KK015817	2	-

AB / Part No Index



Part No.	Page	Pos No	Part No.	Page	Pos No	Part No.	Page	Pos No	Part No.	Page	Pos No
KK015817	2	-	KK015834	1	22	KK016054	13	31	KK032745	2	-
KK015817	2	-	KK015834	2	-	KK016583	16	1	KK032745	13	35
KK015817	2	-	KK015834	2	-	KK016600	16	2	KK032750	2	-
KK015817	2	-	KK015834	2	-	KK016648	17	3	KK032750	2	-
KK015817	5	28	KK015834	2	-	KK029727	9	9	KK032750	2	-
KK015817	9	4	KK015834	2	-	KK029918	9	10	KK032750	2	-
KK015817	11	3	KK015834	2	-	KK029920	10	21	KK032750	2	-
KK015817	18	9	KK015834	2	-	KK029920	18	12	KK032750	2	-
KK015818	4	26	KK015834	2	-	KK030960	13	32	KK032750	2	-
KK015825	1	21	KK015834	2	-	KK031905	1	24	KK032750	2	-
KK015825	2	-	KK015834	2	-	KK031905	3	22	KK032750	3	25
KK015825	2	-	KK015834	2	-	KK031905	4	31	KK032750	4	34
KK015825	2	-	KK015834	2	-	KK031905	5	33	KK032750	5	36
KK015825	2	-	KK015834	3	20	KK031909	1	25	KK032750	13	36
KK015825	2	-	KK015834	4	28	KK031909	3	23	KK032755	1	28
KK015825	2	-	KK015834	5	30	KK031909	4	32	KK032755	3	26
KK015825	2	-	KK016001	9	7	KK031909	5	34	KK032755	4	35
KK015825	2	-	KK016001	13	25	KK032001	16	3	KK032755	5	37
KK015825	2	-	KK016004	10	19	KK032645	18	20	KK032755	14	18
KK015825	2	-	KK016006	13	26	KK032650	9	11	KK032760	13	37
KK015825	2	-	KK016007	9	8	KK032665	9	12	KK032765	1	28
KK015825	2	-	KK016012	10	20	KK032702	10	22	KK032765	2	-
KK015825	3	19	KK016013	4	29	KK032725	1	26	KK032765	2	-
KK015825	3	25	KK016013	13	27	KK032725	3	24	KK032765	3	26
KK015825	4	27	KK016015	1	23	KK032725	4	33	KK032765	4	35
KK015825	5	29	KK016015	3	21	KK032725	5	35	KK032765	5	37
KK015825	9	5	KK016015	4	30	KK032735	1	27	KK032765	10	23
KK015825	10	18	KK016015	5	31	KK032735	13	33	KK032770	9	13
KK015825	11	4	KK016022	18	11	KK032740	1	28	KK032774	9	14
KK015825	13	23	KK016025	13	28	KK032740	5	37	KK032775	1	28
KK015825	18	10	KK016038	5	32	KK032740	13	34	KK032775	3	26
KK015830	9	6	KK016038	13	29	KK032740	18	13	KK032775	4	35
KK015830	13	24	KK016049	13	30	KK032745	2	-	KK032775	5	37

AB / Part No Index



Part No.	Page	Pos No	Part No.	Page	Pos No	Part No.	Page	Pos No	Part No.	Page	Pos No
KK032775	13	38	KK033109	2	-	KK061540	9	29	KK067008R	9	31
KK032780	13	39	KK033109	2	-	KK063090R	1	31	KK067042R	9	32
KK032790	12	6	KK033109	2	-	KK063090R	3	31	KK067063R	9	33
KK032790	13	40	KK033109	4	39	KK063090R	4	42	KK067064R	9	34
KK032803	10	24	KK033111	4	40	KK063090R	5	43	KK070215	13	46
KK032803	12	7	KK033116	3	30	KK063091R	1	34	KK070390	2	8
KK032808	13	41	KK033116	5	41	KK063091R	3	33	KK070391	2	7
KK032845	14	19	KK033117	5	42	KK063091R	4	45	KK070394	2	4
KK032865	12	8	KK033119	4	41	KK063091R	5	46	KK070395	2	3
KK032870	13	42	KK033306	17	4	KK063092R	1	34	KK070459	18	6
KK032880	9	15	KK033620	9	17	KK063092R	3	33	KK070509	2	9
KK032890	9	16	KK033630	18	14	KK063092R	4	45	KK070519	2	10
KK032890	12	9	KK034251	11	6	KK063092R	5	46	KK070589	2	11
KK032895	12	10	KK034755	11	7	KK063388R	1	32	KK070599	2	12
KK032926	13	43	KK035020R	9	18	KK063801R	1	45	KK070653	11	10
KK032929	13	44	KK035021R	9	19	KK063801R	2	-	KK071047	14	20
KK033006R	11	5	KK035025	13	45	KK063801R	2	-	KK071048	14	21
KK033007	3	27	KK035028	10	10	KK063801R	2	-	KK071403	13	47
KK033007	5	38	KK035149	7	3	KK063801R	2	-	KK071404	13	48
KK033016	4	36	KK053090R	1	31	KK063801R	4	43	KK071413	13	49
KK033100R	1	29	KK053090R	3	31	KK063806R	1	45	KK071417	13	50
KK033100R	3	28	KK053090R	4	42	KK063806R	2	-	KK071420R	9	35
KK033100R	4	37	KK053090R	5	43	KK063806R	2	-	KK071422R	9	36
KK033100R	5	39	KK053387R	1	32	KK063806R	4	43	KK071491	13	51
KK033107R	1	30	KK05706388	9	20	KK063806R	5	44	KK071494	13	52
KK033107R	5	40	KK05706488	9	21	KK064021	18	15	KK071500R	9	37
KK033108R	3	29	KK05706588	9	22	KK064026	18	16	KK071504	9	38
KK033108R	4	38	KK05706688	9	23	KK064117	18	17	KK071507	9	39
KK033109	2	-	KK05706788	9	24	KK064118R	18	4	KK071700	13	53
KK033109	2	-	KK05706888	9	25	KK064130R	18	5	KK071702	13	54
KK033109	2	-	KK057089	9	26	KK066868R	11	8	KK071703R	13	55
KK033109	2	-	KK060703	9	27	KK066880R	11	9	KK071711R	13	56
KK033109	2	-	KK060709	9	28	KK067007R	9	30	KK071712R	13	57

AB / Part No Index



Part No.	Page	Pos No	Part No.	Page	Pos No	Part No.	Page	Pos No	Part No.	Page	Pos No
KK071713	13	58	KK07300986	5	45	KK073300R	4	47	KK073635R	1	43
KK071714R	13	59	KK07305486	3	32	KK073300R	5	48	KK073635R	3	38
KK071726	13	60	KK07305586	3	32	KK073301R	1	37	KK073635R	4	53
KK071729	18	18	KK07305686	3	32	KK073301R	3	35	KK073635R	5	52
KK071739	13	61	KK07305786	3	32	KK073301R	4	47	KK073800R	1	44
KK071740	18	19	KK07308086	3	32	KK073301R	5	48	KK073800R	2	-
KK071760	13	62	KK07308186	3	32	KK073310R	1	38	KK073800R	2	-
KK071762	13	63	KK073091R	1	34	KK073311R	1	38	KK073800R	2	-
KK071768	12	11	KK073091R	3	33	KK073350R	4	48	KK073800R	2	-
KK071768	13	64	KK073091R	4	45	KK073406R	1	39	KK073800R	4	54
KK071769	13	65	KK073091R	5	46	KK073406R	4	49	KK073801R	1	44
KK071793R	12	12	KK073092R	1	34	KK073407R	1	39	KK073801R	2	-
KK071794	12	13	KK073092R	3	33	KK073407R	4	49	KK073801R	2	-
KK071853	13	66	KK073092R	4	45	KK073411R	1	40	KK073801R	2	-
KK07300086	1	33	KK073092R	5	46	KK073411R	4	50	KK073801R	2	-
KK07300186	1	33	KK073230R	3	34	KK073412R	1	40	KK073801R	4	54
KK07300286	1	33	KK073231R	3	34	KK073412R	4	50	KK073803R	1	45
KK07300386	1	33	KK073250R	1	35	KK073614R	1	41	KK073803R	2	-
KK07300486	1	33	KK073251R	1	35	KK073614R	3	36	KK073803R	2	-
KK07300486	4	44	KK073256R	1	35	KK073614R	4	51	KK073807R	1	44
KK07300486	5	45	KK073256R	4	46	KK073614R	5	50	KK073807R	2	-
KK07300586	1	33	KK073256R	5	47	KK073615R	1	42	KK073807R	2	-
KK07300586	4	44	KK073257R	1	35	KK073615R	3	37	KK073808R	1	44
KK07300586	5	45	KK073257R	4	46	KK073615R	4	52	KK073808R	2	-
KK07300686	1	33	KK073257R	5	47	KK073615R	5	51	KK073808R	2	-
KK07300686	4	44	KK07328094	1	36	KK073616R	1	42	KK073830R	1	45
KK07300686	5	45	KK07328194	1	36	KK073616R	3	37	KK073831R	1	45
KK07300786	1	33	KK07328694	1	36	KK073616R	4	52	KK073831R	5	53
KK07300786	4	44	KK07328794	1	36	KK073616R	5	51	KK074300	13	67
KK07300786	5	45	KK07329094	1	36	KK073634R	1	43	KK074308	13	68
KK07300886	1	33	KK07329194	1	36	KK073634R	3	38	KK074316	13	69
KK07300886	5	45	KK073300R	1	37	KK073634R	4	53	KK074317	13	70
KK07300986	1	33	KK073300R	3	35	KK073634R	5	52	KK074319	13	71

AB / Part No Index



Part No.	Page	Pos No	Part No.	Page	Pos No	Part No.	Page	Pos No	Part No.	Page	Pos No
KK074392	13	72	KK083019R	7	5	KK083809R	4	55	KK709737	19	4
KK074701	12	14	KK083020R	7	5	KK083810R	1	45	KK709831	19	3
KK074704	12	15	KK083021R	7	5	KK083810R	2	-			
KK074705	12	16	KK083022R	7	5	KK083810R	2	-			
KK074706	12	17	KK083023R	7	5	KK083810R	4	55			
KK074707	12	18	KK083090R	7	6	KK086100	10	30			
KK074708	12	19	KK083211R	3	39	KK086419R	10	12			
KK074729	12	20	KK083212R	3	40	KK086801R	11	12			
KK076120	10	25	KK083213R	3	41	KK086850R	11	13			
KK076121	10	26	KK083214R	3	42	KK086868R	11	14			
KK076406R	10	11	KK083215R	3	43	KK301223	5	54			
KK076407R	10	27	KK083216R	3	44	KK351139	13	74			
KK076410R	10	28	KK083217R	3	45	KK351140	13	75			
KK076437R	10	29	KK083221R	3	39	KK351144	13	76			
KK076812R	11	11	KK083222R	3	40	KK351148	13	77			
KK077000	9	40	KK083223R	3	41	KK351170	13	78			
KK077001R	9	41	KK083224R	3	42	KK351172	13	79			
KK077005R	9	42	KK08322894	1	36	KK351173	13	80			
KK077011	9	43	KK08322994	1	36	KK353901	15	15			
KK077012R	9	44	KK083235R	1	46	KK353901	17	5			
KK077020	9	45	KK083235R	3	46	KK353922	17	6			
KK080980	2	6	KK083300R	3	47	KK353926	17	7			
KK080981	2	5	KK083300R	5	49	KK353934	17	8			
KK080982	2	2	KK083301R	3	47	KK353936	17	9			
KK080983	2	1	KK083301R	5	49	KK354521	15	16			
KK081624R	13	73	KK083406R	3	48	KK354521	16	4			
KK083010R	7	4	KK083407R	3	48	KK354598R	16	5			
KK083011R	7	4	KK083802R	3	49	KK354730R	16	6			
KK083012R	7	4	KK083803R	3	49	KK354731R	16	7			
KK083013R	7	4	KK083804R	3	49	KK354732R	16	8			
KK083016R	7	5	KK083809R	1	45	KK354733R	16	9			
KK083017R	7	5	KK083809R	2	-	KK361116	13	81			
KK083018R	7	5	KK083809R	2	-	KK361120	13	82			



AB

25402 < Mach. ID <= ->

Kverneland Group Operation Norway AS
Plogfabrikkvegen 1
N-4353 Klepp Stasjon
\nNorway
+47 51429000
+47 51429001
www.kvernelandgroup.com

© Kverneland Group

All rights reserved. No parts of this book may be reproduced, stored in a database or retrieval system, or published in any form or in any way, electronically, mechanically, optically, by print, photo print, microfilm (including micro and macro fiche), or any other means, including all video and CD systems, without prior written permission from the publisher.

Print date: 2023-07-03

