

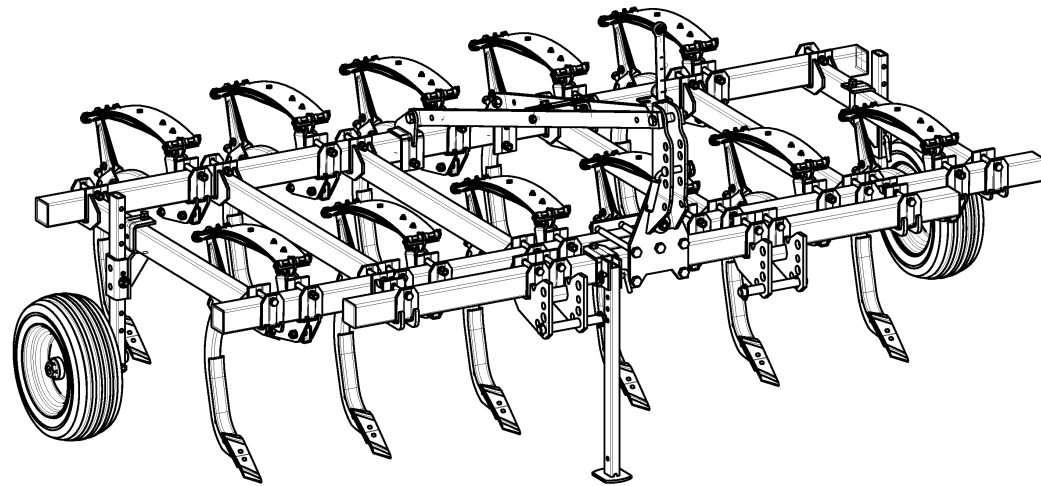
CLG III

Spare Parts Manual

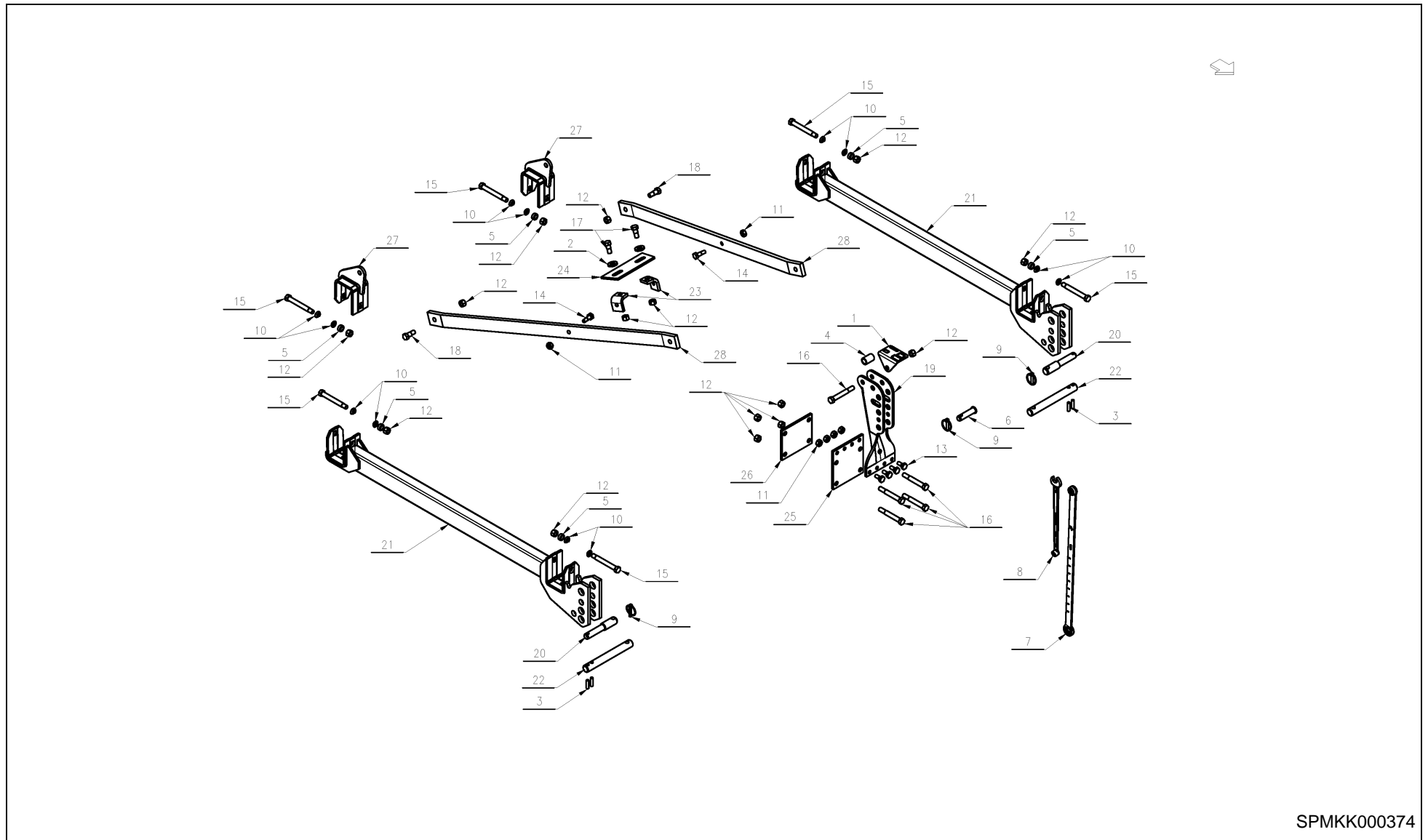
Article number: A152146640_2023
Language: EN
Production year (from): 2023
Prod. Series nr (from):
127 < Mach. ID <=

CLG III / Table of Contents

PosNo.	Assembly group	Page
--	3-POINT LINKAGE 3-7 TINES	1
--	3-POINT LINKAGE 9 TINES SINGLE FRAME	2
--	3-POINT LINKAGE 9 - 19 TINES	3
--	MAIN FRAME	4
--	TINE	5
--	KNOCK-ON	6
--	XHD	7
--	WHEEL 200 X 14,5 FOR 9-19 TINES	8
--	WHEEL FOR 2, 3, 5 & 7 TINES	9
--	MACHINE STAND	10
--	DECALS AND STICKERS	11



CLG III / 3-POINT LINKAGE 3-7 TINES



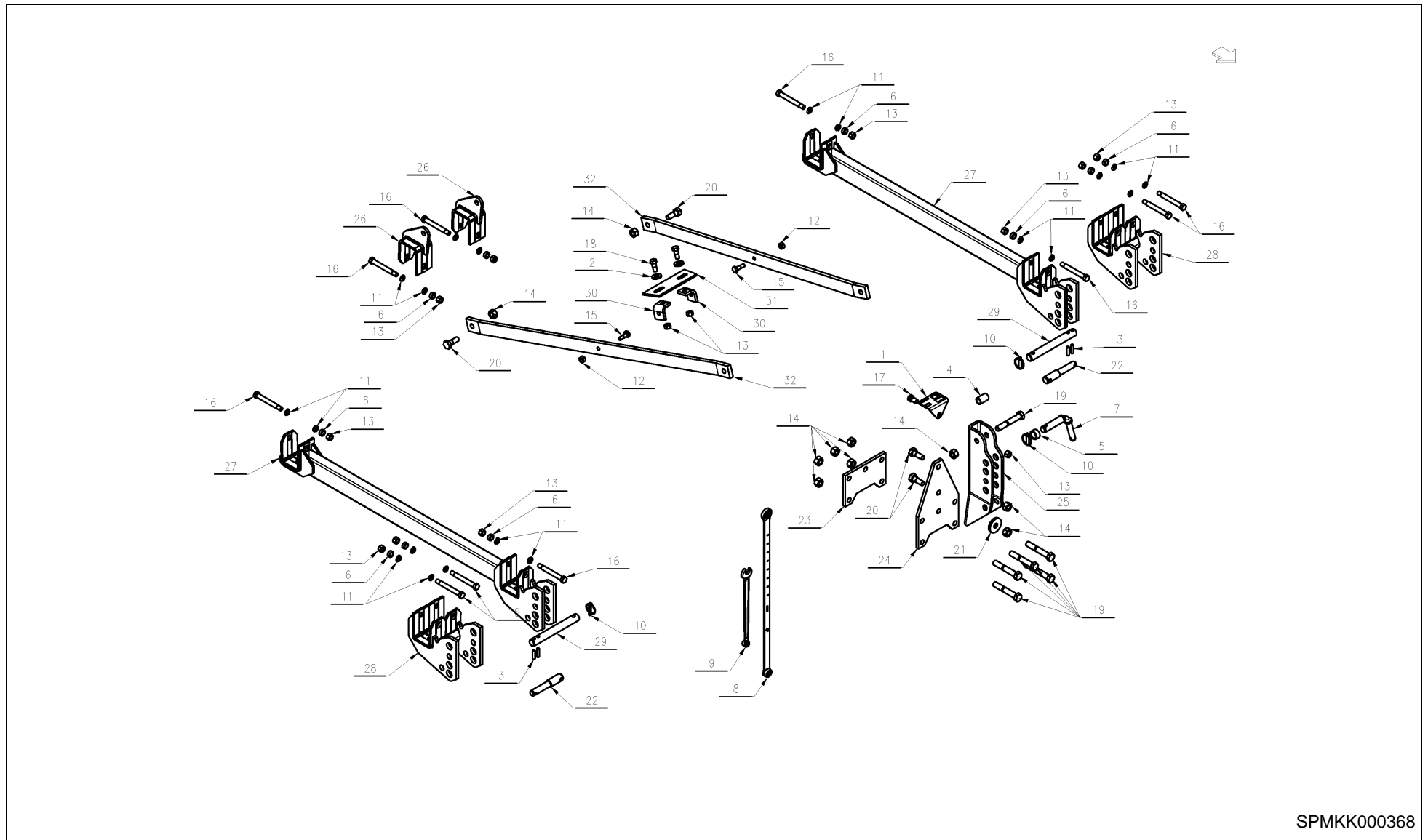
SPMKK000374

CLG III / 3-POINT LINKAGE 3-7 TINES



PosNo.	Part No.	Qty.	Description	Remark
1	A133207394	1	FIX FOR SPANNERS	
2	A152628062	1	WASHER D45 X D21 X 7.5	
3	KG01195500	1	TENSION PIN 12X50	
4	KK010066R	1	BUSHING D33.8XD25.7X55	
5	KK010170	1	BUSHING D30 X D21	
6	KK010332	1	BOLT W/HEAD D25.3X85	
7	KK010650	1	UNIVERSAL SPANNER NV 27-36	
8	KK010679	1	SPANNER W/PIPE NV 27 - 19 L450	
9	KK010700	1	PIN D12 NS 555	
10	KK012813	1	CONIC WASHER EXTENDED TO D20	
11	KK015825	1	M16 NUT	
12	KK015830	1	NUT M20	
13	KK032735	1	HEX BOLT M16X35 10.9	
14	KK032750	1	HEX BOLT M16X50 10.9	
15	KK032808	1	HEX BOLT M20X160 10.9 THREAD L=25	
16	KK032815	1	HEX BOLT M20X140 10.9	
17	KK032845	1	HEX BOLT M20X45 10.9	
18	KK032850	1	HEX BOLT M20X50 10.9	
19	KK062002R	1	HEADSTOCK	
20	KK301082	1	LOCKPIN FOR CHIS	
21	KK304033	1	TUBE WELDED	
22	KK304134	1	PIN D36	
23	KK304135	1	BRACKET SUPPORT STAY FOR HEADSTOCK	
24	KK304136	1	PLATE SUPPORT STAY FOR HEADSTOCK	
25	KK304165	1	PLATE FOR HEADSTOCK SMALL	
26	KK304166	1	ORVEL FOR HEADSTOCK SMALL	
27	KK304179	1	BRACKET SUPPORT WELDED	
28	KK304200	1	STAY	

CLG III / 3-POINT LINKAGE 9 TINES SINGLE FRAME



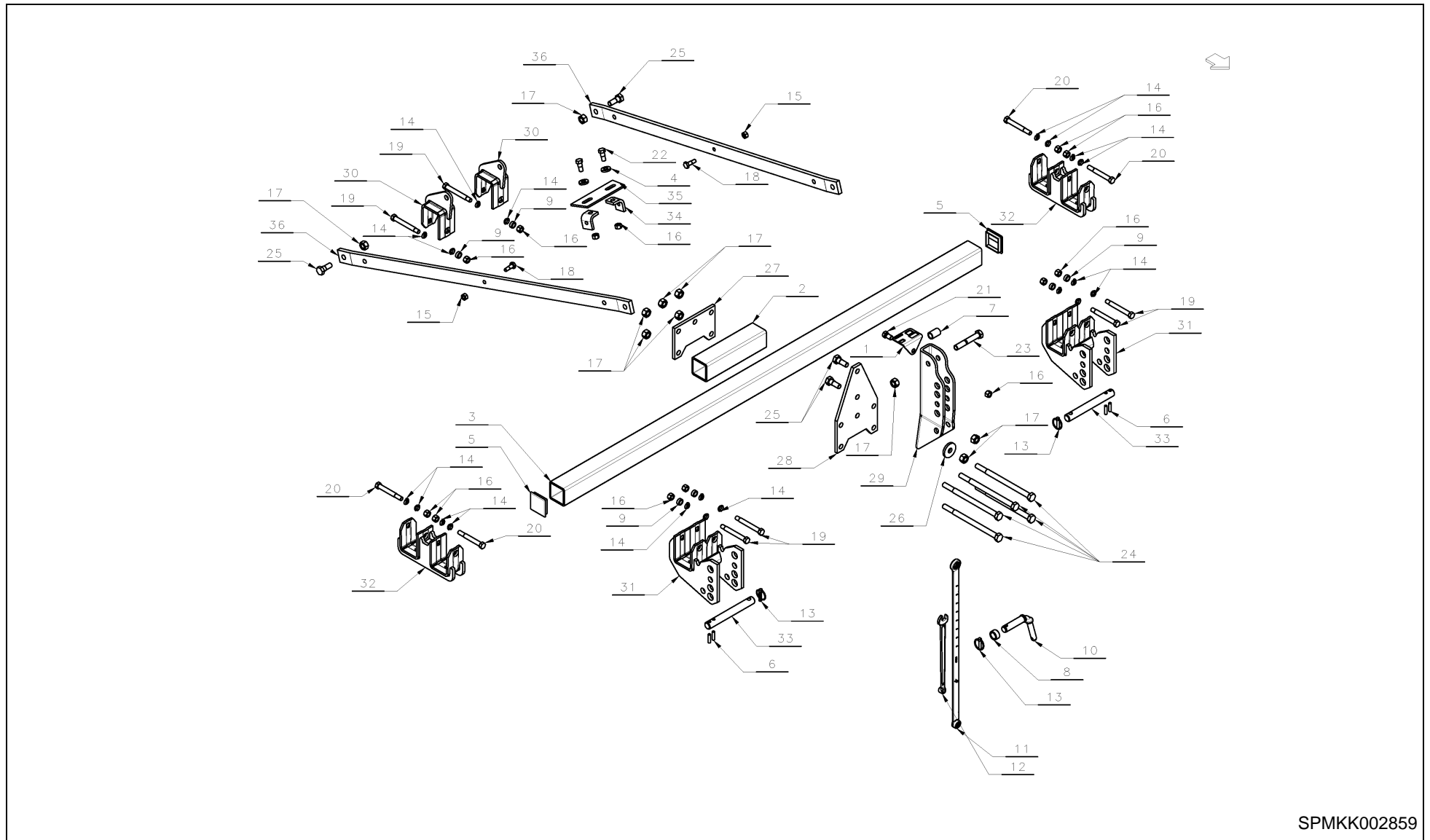
SPMKK000368

CLG III / 3-POINT LINKAGE 9 TINES SINGLE FRAME



PosNo.	Part No.	Qty.	Description	Remark
1	A133207394	1	FIX FOR SPANNERS	
2	A152628062	1	WASHER D45 X D21 X 7.5	
3	KG01195500	1	TENSION PIN 12X50	
4	KK010066R	1	BUSHING D33.8XD25.7X55	
5	KK010158	1	BUSHING D44.5XD32.5X23	
6	KK010170	1	BUSHING D30 X D21	
7	KK010293	1	TOP LINK U-BOLT CAT.II & III	
8	KK010650	1	UNIVERSAL SPANNER NV 27-36	
9	KK010679	1	SPANNER W/PIPE NV 27 - 19 L450	
10	KK010700	1	PIN D12 NS 555	
11	KK012813	1	CONIC WASHER EXTENDED TO D20	
12	KK015825	1	M16 NUT	
13	KK015830	1	NUT M20	
14	KK015841	1	NUT M24 GALV.	
15	KK032750	1	HEX BOLT M16X50 10.9	
16	KK032808	1	HEX BOLT M20X160 10.9 THREAD L=25	
17	KK032835	1	HEX BOLT M20X35 10.9	
18	KK032845	1	HEX BOLT M20X45 10.9	
19	KK032908	1	HEX BOLT M24X150 10.9	
20	KK032960	1	HEX BOLT M24X60 S=13+3	
21	KK077558R	1	WASHER D25-D76X10	
22	KK301082	1	LOCKPIN FOR CHIS	
23	KK304016	1	PLATE REAR SUPPORT	
24	KK304017	1	PLATE FOR HEADSTOCK	
25	KK304018	1	HEADSTOCK	
26	KK304027	1	BRACKET SUPPORT WELDED	
27	KK304033	1	TUBE WELDED	
28	KK304126	1	BRACKET FOR QUICK HITCH WELDED	
29	KK304134	1	PIN D36	
30	KK304135	1	BRACKET SUPPORT STAY FOR HEADSTOCK	
31	KK304136	1	PLATE SUPPORT STAY FOR HEADSTOCK	
32	KK304143	1	STAY FOR HEADSTOCK	

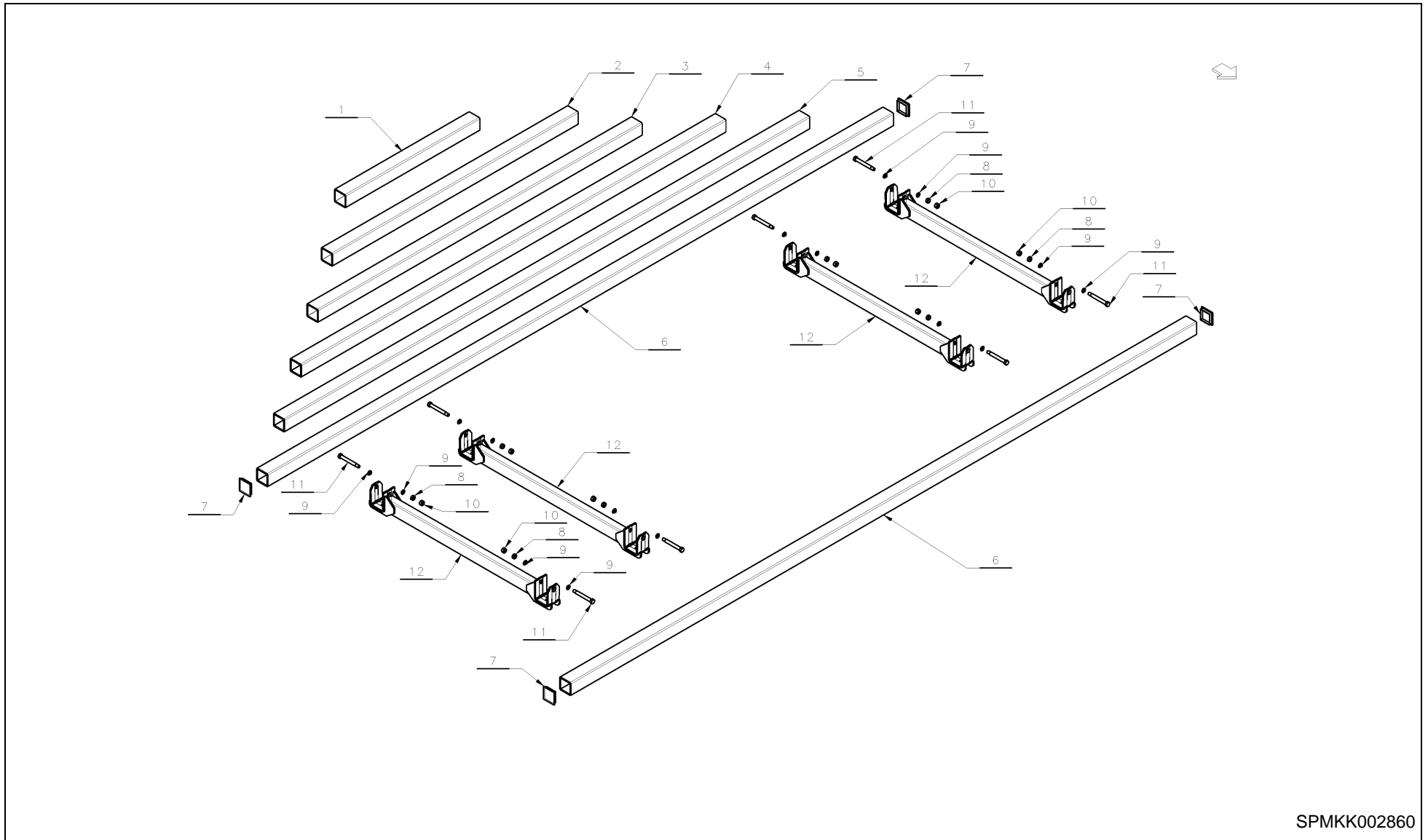
CLG III / 3-POINT LINKAGE 9 - 19 TINES



SPMKK002859

CLG III / 3-POINT LINKAGE 9 - 19 TINES

PosNo.	Part No.	Qty.	Description	Remark
1	A133207394	1	FIX FOR SPANNERS	
2	A152352894	1	TUBE 100X100 FOR SUPPORT	
3	A152352994	1	TUBE 100X100X8 L=2800 MM	
4	A152628062	1	WASHER D45 X D21 X 7.5	
5	AC688220	1	SQUARE PLUG Q 100X100X5-8	
6	KG01195562	1	TENSION PIN 12X50	
7	KK010066R	1	BUSHING D33.8XD25.7X55	
8	KK010158	1	BUSHING D44.5XD32.5X23	
9	KK010170	1	BUSHING D30 X D21	
10	KK010293	1	TOP LINK U-BOLT CAT.II & III	
11	KK010650	1	UNIVERSAL SPANNER NV 27-36	
12	KK010679	1	SPANNER W/PIPE NV 27 - 19 L450	
13	KK010700	1	PIN D12 NS 555	
14	KK012813	1	CONIC WASHER EXTENDED TO D20	
15	KK015825	1	M16 NUT	
16	KK015830	1	NUT M20	
17	KK015841	1	NUT M24 GALV.	
18	KK032750	1	HEX BOLT M16X50 10.9	
19	KK032808	1	HEX BOLT M20X160 10.9 THREAD L=25	
20	KK032816	1	HEX BOLT M20X150 10.9	
21	KK032835	1	HEX BOLT M20X35 10.9	
22	KK032845	1	HEX BOLT M20X45 10.9	
23	KK032908	1	HEX BOLT M24X150 10.9	
24	KK032936	1	SCREW M24 X360 10.9 EL	
25	KK032960	1	HEX BOLT M24X60 S=13+3	
26	KK077558R	1	WASHER D25-D76X10	
27	KK304016	1	PLATE REAR SUPPORT	
28	KK304017	1	PLATE FOR HEADSTOCK	
29	KK304018	1	HEADSTOCK	
30	KK304027	1	BRACKET SUPPORT WELDED	
31	KK304126	1	BRACKET FOR QUICK HITCH WELDED	
32	KK304130	1	BRACKET CONNECTING MAIN TUBE AND QH	
33	KK304134	1	PIN D36	
34	KK304135	1	BRACKET SUPPORT STAY FOR HEADSTOCK	
35	KK304136	1	PLATE SUPPORT STAY FOR HEADSTOCK	
36	KK304140	1	STAY FOR HEADSTOCK L = 1815	

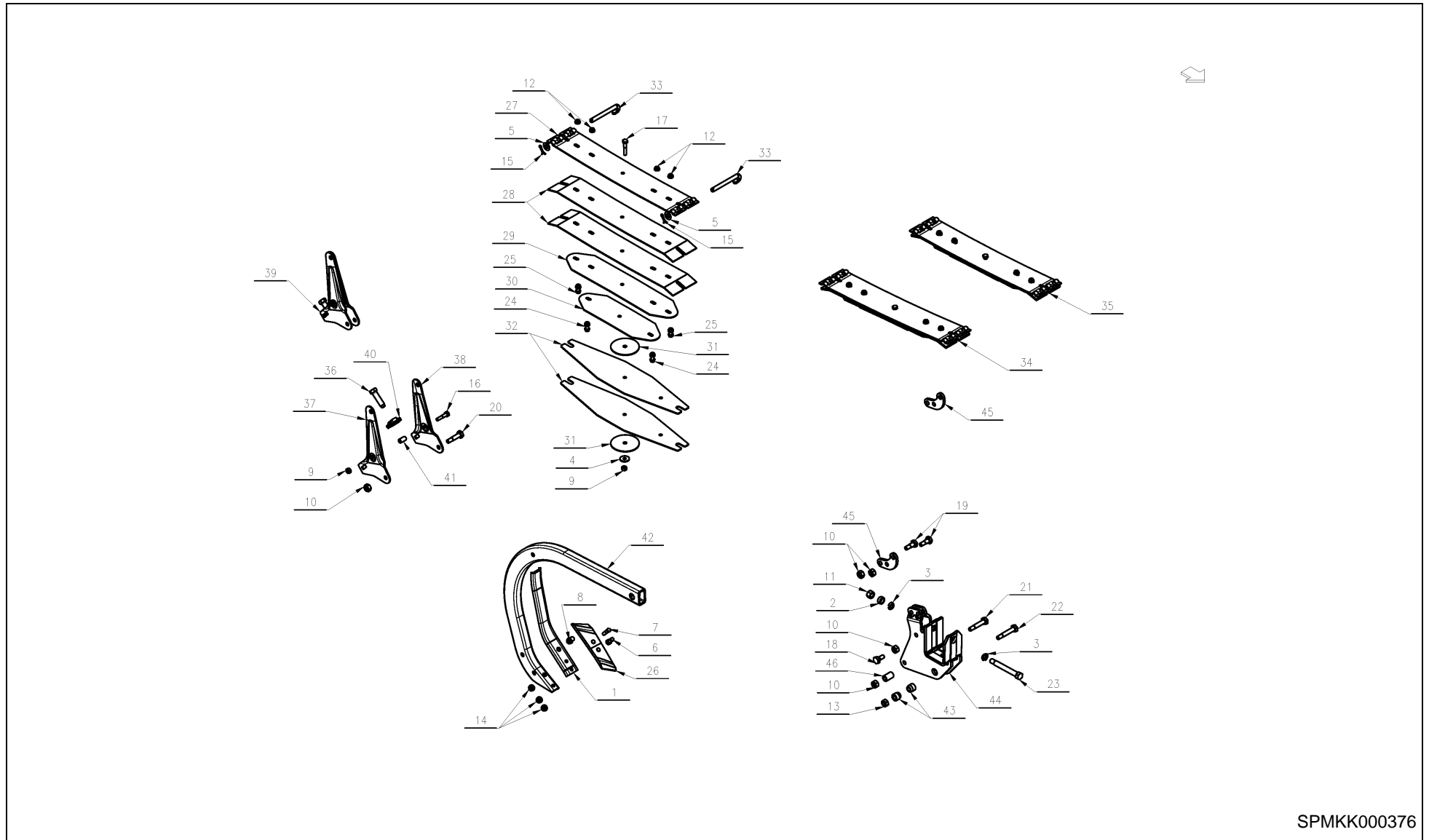


SPMKK002860

CLG III / MAIN FRAME



PosNo.	Part No.	Qty.	Description	Remark
1	A152352294	1	TUBE L = 1200	
2	A152352394	1	TUBE L=2200	
3	A152352494	1	TUBE L=2900	
4	A152352594	1	TUBE L=3800	
5	A152352694	1	TUBE L=4700	
6	A152352794	1	TUBE L=5600	
7	AC688220	1	SQUARE PLUG Q 100X100X5-8	
8	KK010170	1	BUSHING D30 X D21	
9	KK012813	1	CONIC WASHER EXTENDED TO D20	
10	KK015830	1	NUT M20	
11	KK032808	1	HEX BOLT M20X160 10.9 THREAD L=25	
12	KK304032	1	TUBE WELDED	

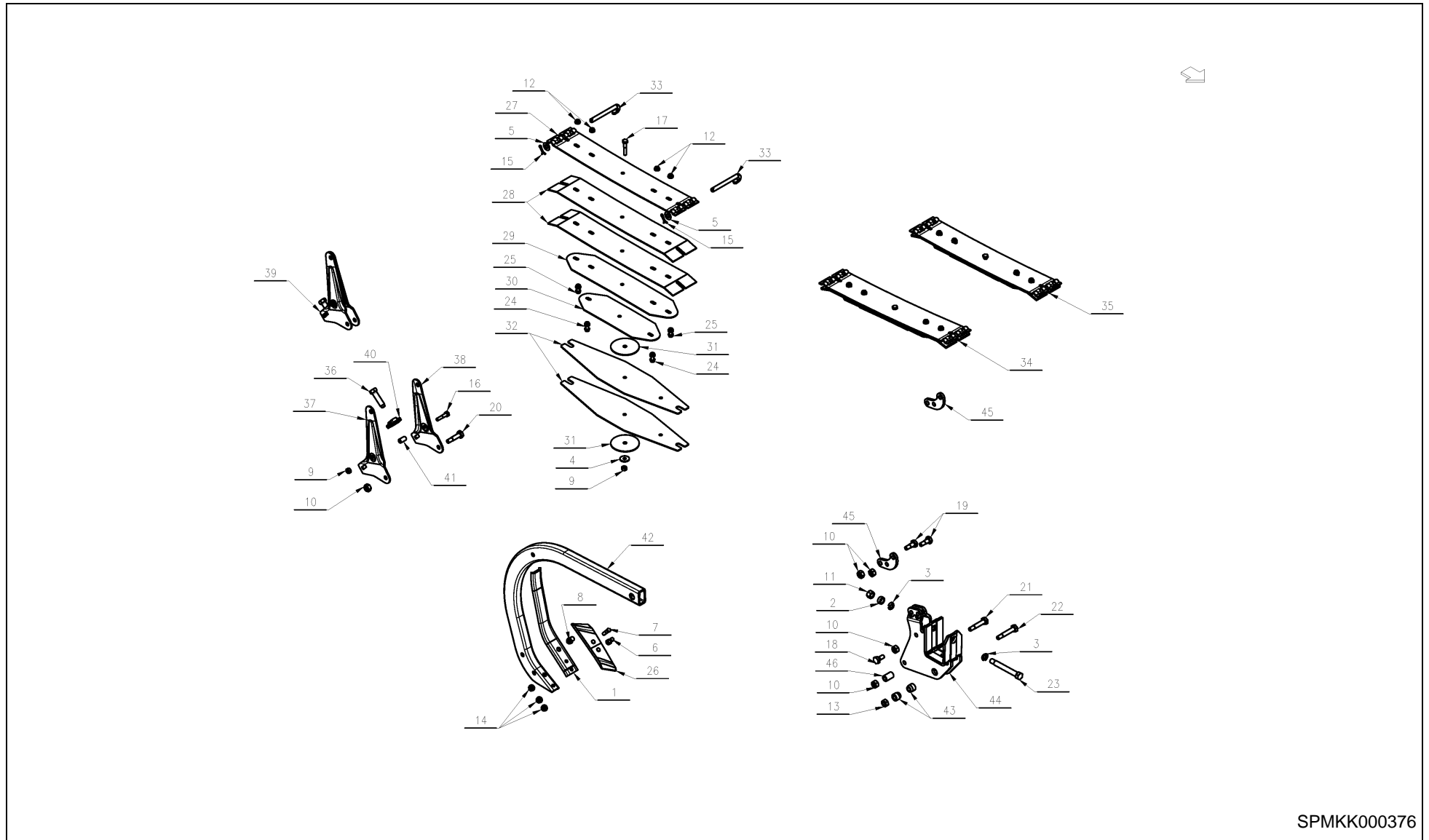


SPMKK000376

CLG III / TINE



PosNo.	Part No.	Qty.	Description	Remark
1	A133635994	1	BACKUP AND WEAR PLATE	
2	KK010170	1	BUSHING D30 X D21	
3	KK012813	1	CONIC WASHER EXTENDED TO D20	
4	KK012913	1	WASHER D12.5-D40X3.4	
5	KK012996	1	WASHER D35XDX2 GALV.	
6	KK013228R	1	CS BOLT M12X34	
7	KK013244	1	SCREW M12X45 12.	
8	KK013332R	1	BOLT M14X34 W/NUT	
9	KK015817	1	NUT M12 GALV.	
10	KK015825	1	M16 NUT	
11	KK015830	1	NUT M20	
12	KK016007	1	FLANGE NUT M10	
13	KK016025	1	LOCK NUT M16	
14	KK016038	1	FLANGE NUT M12	
15	KK029727	1	SPLIT PIN D5X32	
16	KK032655	1	HEX BOLT M12 X 55	
17	KK032665	1	HEX BOLT M12X65 GL40	
18	KK032735	1	HEX BOLT M16X35 10.9	
19	KK032745	1	HEX BOLT M16X45 10.9 WITH WAX	
20	KK032770	1	HEX BOLT M16X70 10.9	
21	KK032785	1	HEX BOLT M16X85 10.9 W/WAX	
22	KK032795	1	HEX BOLT M16X95 10.9	
23	KK032808	1	HEX BOLT M20X160 10.9 THREAD L=25	
24	KK035020R	1	BOLT M10X34	
25	KK035021R	1	BOLT M10X30.5	
26	KK053090R	1	REVERSIBLE POINT R BOXED W/BOLTS	
27	KK05706388	1	MAIN SPRING BLADE	
28	KK05706488	1	SPRING BLADE NO. 1	
29	KK05706588	1	SPRING BLADE NO. 2	
30	KK05706688	1	SPRING BLADE NO. 3	
31	KK05706788	1	SPRING BLADE NO. 4	
32	KK05706888	1	BLADE NO.5	
33	KK057089	1	SPRING BOLT	
34	KK060703	1	SPRING HD CPL. WITHOUT REGULATOR	
35	KK060709	1	LEAF CPL.	
36	KK067042R	1	SCREW FOR SPRINGLOADED GOVERNO	
37	KK067063R	1	SPRING BRACKET RIGHT	
38	KK067064R	1	SPRING BRACKET LEFT	
39	KK077000	1	SPRING ARM W/ADJUST SCREW	
40	KK077011	1	THREADED PIECE M20	

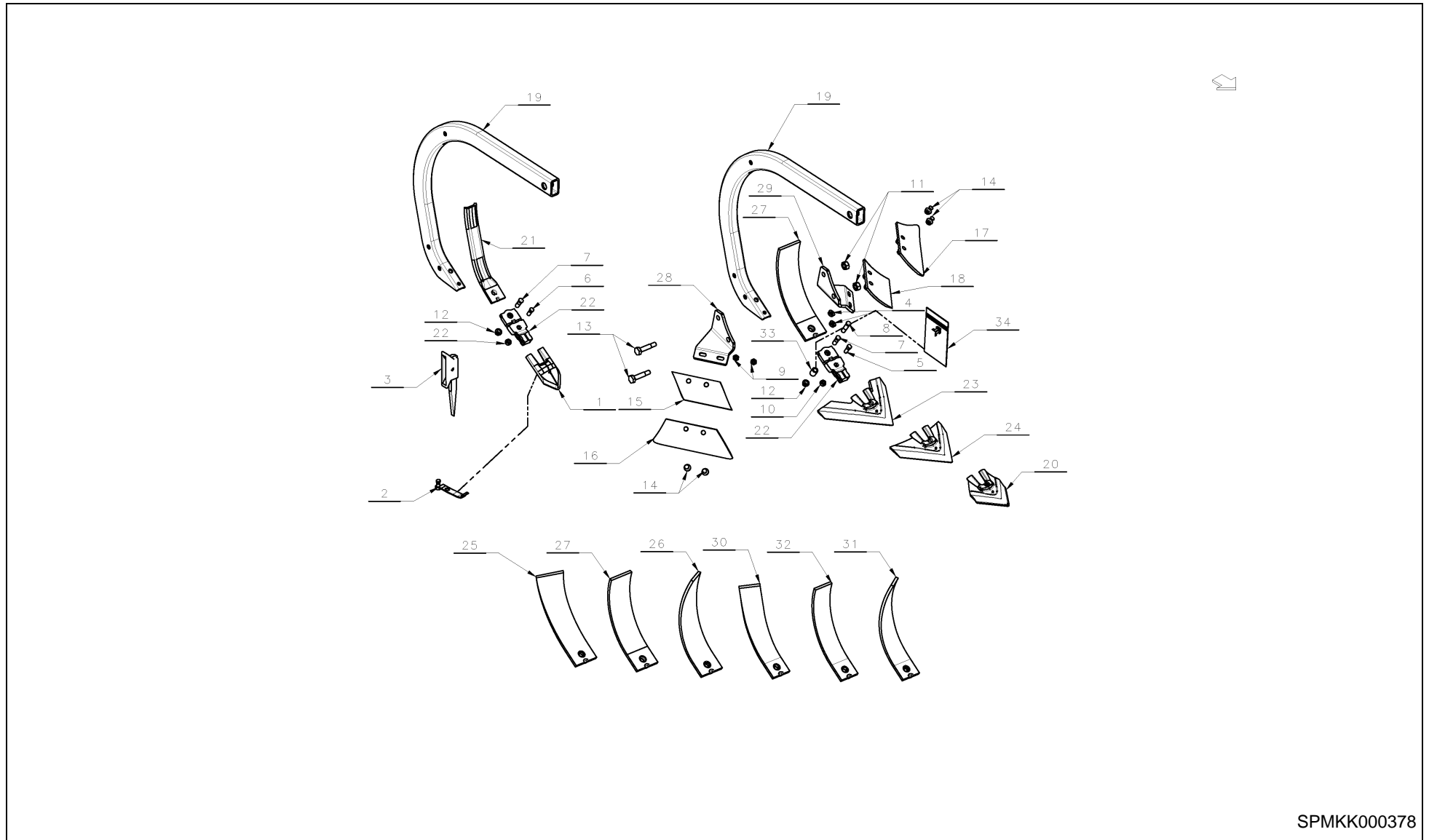


SPMKK000376

CLG III / TINE



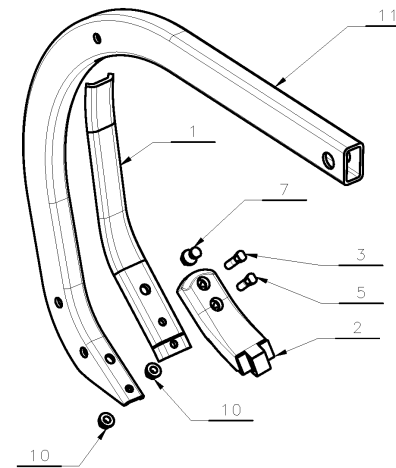
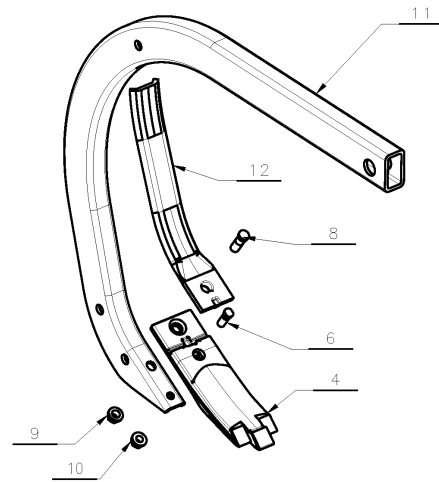
PosNo.	Part No.	Qty.	Description	Remark
41	KK077012R	1	SPACING TUBE	
42	KK301054R	1	TINE	
43	KK301080	1	CONE	
44	KK30146594	1	TINE HOLDER WELDED	
45	KK301469	1	CLAMPING PLATE FOR SPRING	
46	KK301472	1	BUSHING	



CLG III / KNOCK-ON



PosNo.	Part No.	Qty.	Description	Remark
1	A133016232	1	POINT 80X170	
2	A133090832	1	TRANSPORT SAFETY CPL	
3	A133147030	1	EJECTOR TOOL	
4	A133517300	1	FLANGE NUT M10	
5	A152298000	1	CONE SCREW M12X43 2F 12.9	
6	KK013238	1	SCREW M12X38	
7	KK013346	1	CONE SCREW M14X45 GALV.	
8	KK013361	1	CONE SCREW M14X60 12.9	FOR SWEEP 320MM
9	KK015813	1	NUT M10 GALV.	
10	KK015817	1	NUT M12 GALV.	
11	KK015825	1	M16 NUT	
12	KK016015	1	FLANGE NUT M14 GALV.	
13	KK032780	1	HEX BOLT M16X80 10.9 W/WAX	
14	KK033006R	1	BOLT M10X30	
15	KK056873R	1	SHARE	
16	KK066868R	1	SHARE R.	
17	KK066869R	1	SHARE L.	
18	KK066873R	1	SHARE	
19	KK301054R	1	TINE	
20	KK304302R	1	POINT 150X200	
21	KK304306R	1	PROTECTION PLATE	
22	KK304307R	1	KNOCK-ON HOLDER	
23	KK304311R	1	SWEEP 320MM	
24	KK304312R	1	SWEEP 250MM	
25	KK304313R	1	DEFLECTOR RIGHT 100MM	
26	KK304314R	1	DEFLECTOR LEFT 100MM	
27	KK304315R	1	DEFLECTOR 100MM	
28	KK304316R	1	SADDLE RIGHT	
29	KK304317R	1	SADDLE LEFT	
30	KK304320R	1	DEFLECTOR RIGHT 80MM	
31	KK304321R	1	DEFLECTOR LEFT 80MM	
32	KK304322R	1	DEFLECTOR 80MM	
33	KK304324	1	BUSHING D14,2-D22X27	FOR SWEEP 320MM
34	KK304347	1	BAG W/BOLT AND SPACER	FOR SWEEP 320MM

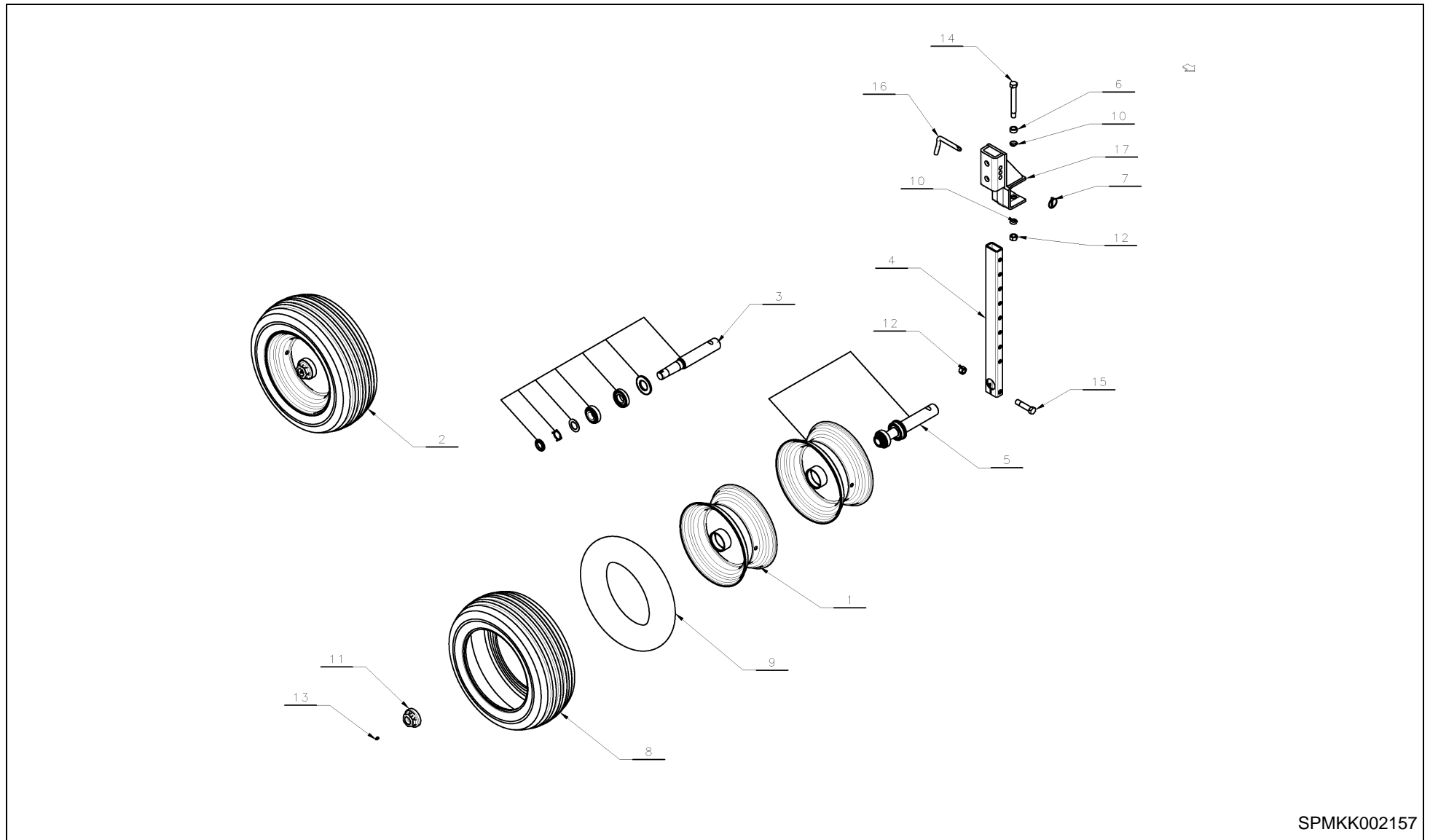


CLG III / XHD



PosNo.	Part No.	Qty.	Description	Remark
1	A133635994	1	BACKUP AND WEAR PLATE	
2	A135465286	1	XHD CARBIDE TIGER II 70 MM	
3	A135469562	1	CONE SCREW M12X49 2F 12.9	
4	A152290086	1	XHD CARBIDE TIGER I 80MM W/O BOLTS	
5	A152298000	1	CONE SCREW M12X43 2F 12.9	
6	KK013238	1	SCREW M12X38	
7	KK013332R	1	BOLT M14X34 W/NUT	
8	KK013346	1	CONE SCREW M14X45 GALV.	
9	KK016015	1	FLANGE NUT M14 GALV.	
10	KK016038	1	FLANGE NUT M12	
11	KK301054R	1	TINE	
12	KK304306R	1	PROTECTION PLATE	

CLG III / WHEEL 200 X 14,5 FOR 9-19 TINES



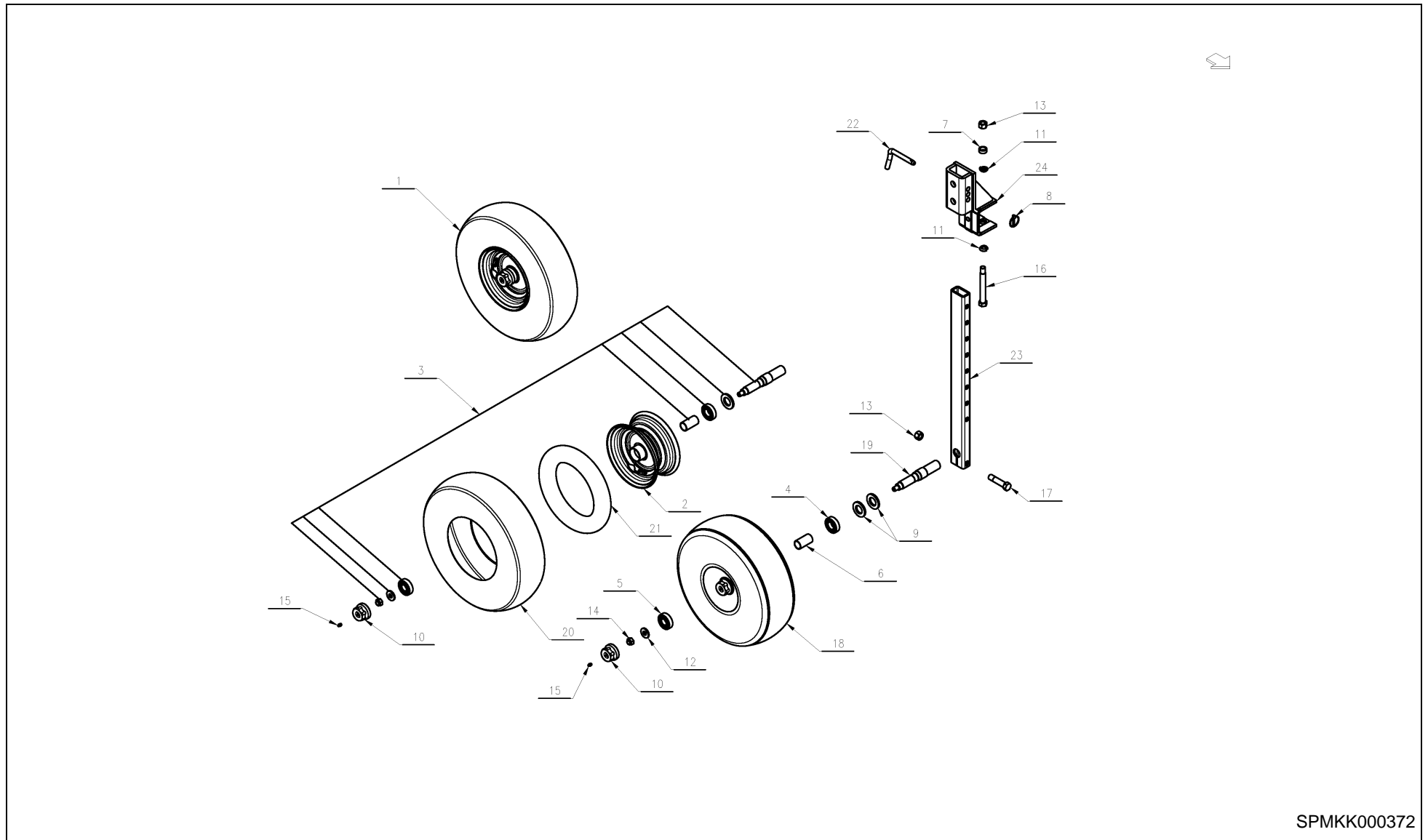
SPMKK002157

CLG III / WHEEL 200 X 14,5 FOR 9-19 TINES



PosNo.	Part No.	Qty.	Description	Remark
1	A133313698	1	RIM 6.75X14.5X3.0	
2	A133315830	1	WHEEL 200X14.5 CPL W AXLE	
3	A133341730	1	AXLE KIT FOR WHEEL 200X14,5	
4	A133554688	1	WHEELARM 9-11-13 TINES	
5	A133590530	1	RIM 6.75X14.5X3.0 W/AXLEKIT L=340	
6	KK010170	1	BUSHING D30 X D21	
7	KK010702	1	PIN D6 NS 555	
8	KK011303	1	TYRE LP 200X14.5/10-448	
9	KK011305	1	INNER TYRE 200-14.5 TR-15 FE	
10	KK012813	1	CONIC WASHER EXTENDED TO D20	
11	KK013105	1	HUB CAP D80 WITH NIPPLE	
12	KK015830	1	NUT M20	
13	KK029920	1	GREASE NIPPLE M8X1 STRAIGHT	
14	KK032808	1	HEX BOLT M20X160 10.9 THREAD L=25	
15	KK032885	1	HEX BOLT M20X85 10.9	
16	KK191234	1	BOLT WITH HANDLE D16	
17	KK304076	1	WHEEL HOLDER WELDED	

CLG III / WHEEL FOR 2, 3, 5 & 7 TINES

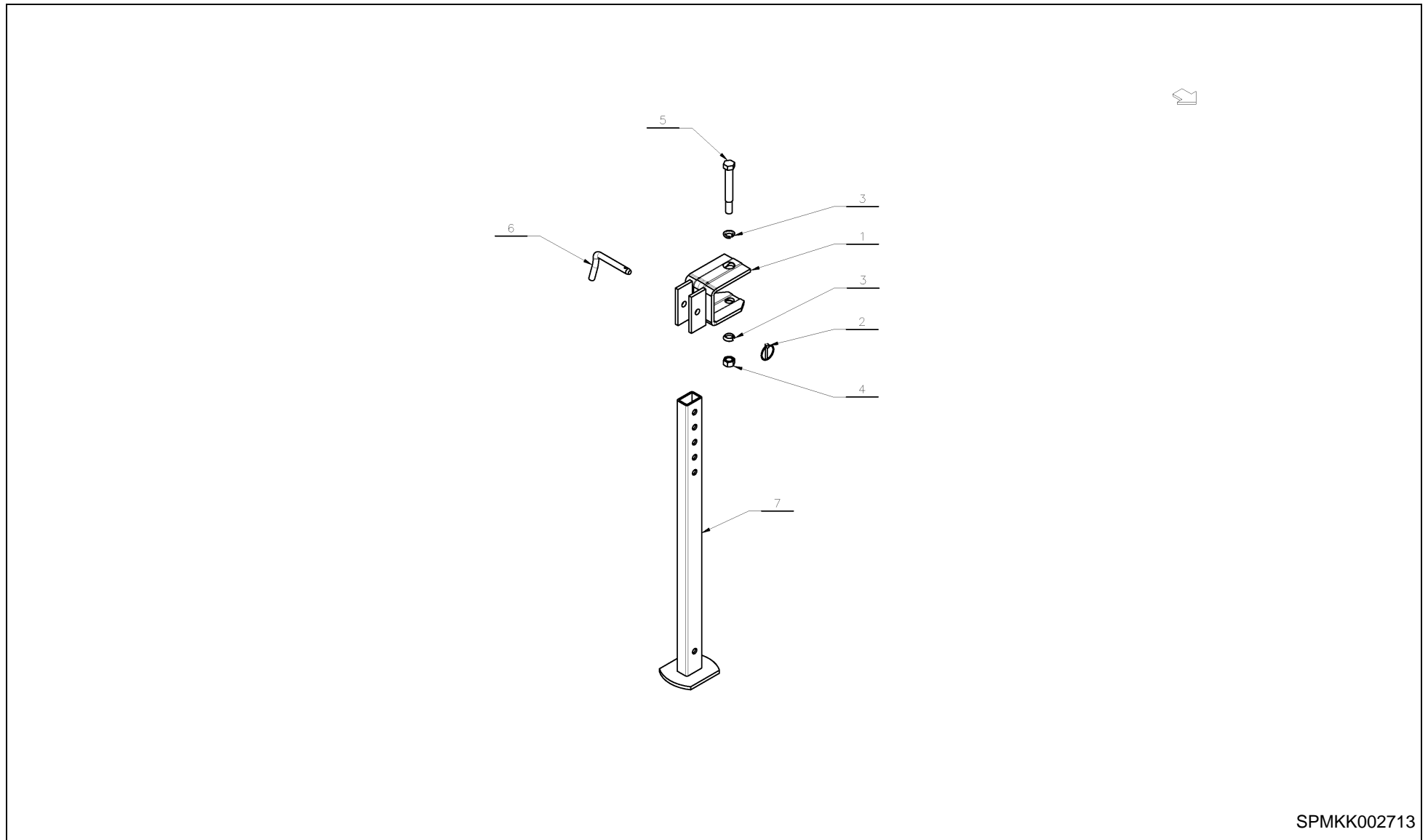


SPMKK000372

CLG III / WHEEL FOR 2, 3, 5 & 7 TINES



PosNo.	Part No.	Qty.	Description	Remark
1	A133337530	1	WHEEL 6.00X9 W/AXLE	
2	A133339998	1	RIM 6.00X9	
3	A133757730	1	AXLE KIT FOR WHEEL 6.00X9	
4	KG01477300	1	BALL BEARING 6206 C3	
5	KG01490200	1	BALL BEARING 6305 C3	
6	KK010096	1	SPACING TUBE D35/31X L=64.2	
7	KK010170	1	BUSHING D30 X D21	
8	KK010702	1	PIN D6 NS 555	
9	KK010806R	1	Z-LAMELL	
10	KK011167	1	HUB CAP 62 MM W.NIPPLE	
11	KK012813	1	CONIC WASHER EXTENDED TO D20	
12	KK012922	1	WASHER D17-D40X4.58	
13	KK015830	1	NUT M20	
14	KK016010	1	NYLOC NUT M16	
15	KK029920	1	GREASE NIPPLE M8X1 STRAIGHT	
16	KK032808	1	HEX BOLT M20X160 10.9 THREAD L=25	
17	KK032885	1	HEX BOLT M20X85 10.9	
18	KK072455	1	DEPTH WHEEL 500X165 WITH AXLE	
19	KK072458R	1	WHEEL AXLE D38 X 235	
20	KK094206	1	TYRE 6.00X9	
21	KK094207	1	TUBE 6.00X9	
22	KK191234	1	BOLT WITH HANDLE D16	
23	KK304053	1	WHEELARM 3-5-7 TINES	
24	KK304076	1	WHEEL HOLDER WELDED	



SPMKK002713

CLG III / MACHINE STAND



PosNo.	Part No.	Qty.	Description	Remark
1	KK304073	1	HOLDER FOR SUPPORT WELDED	
2	KK010702	1	PIN D6 NS 555	
3	KK012813	1	CONIC WASHER EXTENDED TO D20	
4	KK015830	1	NUT M20	
5	KK032816	1	HEX BOLT M20X150 10.9	
6	KK191234	1	BOLT WITH HANDLE D16	
7	KK304071	1	SUPPORT LEG WELDED	

CLG III / DECALS AND STICKERS



PosNo.	Part No.	Qty.	Description	Remark
1	A152146930	1	STICKERS KIT SAFETY CLG	
2	A152146832	1	KIT FOR DECALS CLG III	

CLG III / Part No Index



Part No.	Page	Pos No	Part No.	Page	Pos No	Part No.	Page	Pos No	Part No.	Page	Pos No
A133016232	6	1	A152628062	2	2	KK010700	3	13	KK015825	2	12
A133090832	6	2	A152628062	3	4	KK010702	8	7	KK015825	3	15
A133147030	6	3	AC688220	3	5	KK010702	9	8	KK015825	5	10
A133207394	1	1	AC688220	4	7	KK010702	10	2	KK015825	6	11
A133207394	2	1	KG01195500	1	3	KK010806R	9	9	KK015830	1	12
A133207394	3	1	KG01195500	2	3	KK011167	9	10	KK015830	2	13
A133313698	8	1	KG01195562	3	6	KK011303	8	8	KK015830	3	16
A133315830	8	2	KG01477300	9	4	KK011305	8	9	KK015830	4	10
A133337530	9	1	KG01490200	9	5	KK012813	1	10	KK015830	5	11
A133339998	9	2	KK010066R	1	4	KK012813	2	11	KK015830	8	12
A133341730	8	3	KK010066R	2	4	KK012813	3	14	KK015830	9	13
A133517300	6	4	KK010066R	3	7	KK012813	4	9	KK015830	10	4
A133554688	8	4	KK010096	9	6	KK012813	5	3	KK015841	2	14
A133590530	8	5	KK010158	2	5	KK012813	8	10	KK015841	3	17
A133635994	5	1	KK010158	3	8	KK012813	9	11	KK016007	5	12
A133635994	7	1	KK010170	1	5	KK012813	10	3	KK016010	9	14
A133757730	9	3	KK010170	2	6	KK012913	5	4	KK016015	6	12
A135465286	7	2	KK010170	3	9	KK012922	9	12	KK016015	7	9
A135469562	7	3	KK010170	4	8	KK012996	5	5	KK016025	5	13
A152146832	11	2	KK010170	5	2	KK013105	8	11	KK016038	5	14
A152146930	11	1	KK010170	8	6	KK013228R	5	6	KK016038	7	10
A152290086	7	4	KK010170	9	7	KK013238	6	6	KK029727	5	15
A152298000	6	5	KK010293	2	7	KK013238	7	6	KK029920	8	13
A152298000	7	5	KK010293	3	10	KK013244	5	7	KK029920	9	15
A152352294	4	1	KK010332	1	6	KK013332R	5	8	KK032655	5	16
A152352394	4	2	KK010650	1	7	KK013332R	7	7	KK032665	5	17
A152352494	4	3	KK010650	2	8	KK013346	6	7	KK032735	1	13
A152352594	4	4	KK010650	3	11	KK013346	7	8	KK032735	5	18
A152352694	4	5	KK010679	1	8	KK013361	6	8	KK032745	5	19
A152352794	4	6	KK010679	2	9	KK015813	6	9	KK032750	1	14
A152352894	3	2	KK010679	3	12	KK015817	5	9	KK032750	2	15
A152352994	3	3	KK010700	1	9	KK015817	6	10	KK032750	3	18
A152628062	1	2	KK010700	2	10	KK015825	1	11	KK032770	5	20

CLG III / Part No Index



Part No.	Page	Pos No	Part No.	Page	Pos No	Part No.	Page	Pos No	Part No.	Page	Pos No
KK032780	6	13	KK05706588	5	29	KK301469	5	45	KK304166	1	26
KK032785	5	21	KK05706688	5	30	KK301472	5	46	KK304179	1	27
KK032795	5	22	KK05706788	5	31	KK304016	2	23	KK304200	1	28
KK032808	1	15	KK05706888	5	32	KK304016	3	27	KK304302R	6	20
KK032808	2	16	KK057089	5	33	KK304017	2	24	KK304306R	6	21
KK032808	3	19	KK060703	5	34	KK304017	3	28	KK304306R	7	12
KK032808	4	11	KK060709	5	35	KK304018	2	25	KK304307R	6	22
KK032808	5	23	KK062002R	1	19	KK304018	3	29	KK304311R	6	23
KK032808	8	14	KK066868R	6	16	KK304027	2	26	KK304312R	6	24
KK032808	9	16	KK066869R	6	17	KK304027	3	30	KK304313R	6	25
KK032815	1	16	KK066873R	6	18	KK304032	4	12	KK304314R	6	26
KK032816	3	20	KK067042R	5	36	KK304033	1	21	KK304315R	6	27
KK032816	10	5	KK067063R	5	37	KK304033	2	27	KK304316R	6	28
KK032835	2	17	KK067064R	5	38	KK304053	9	23	KK304317R	6	29
KK032835	3	21	KK072455	9	18	KK304071	10	7	KK304320R	6	30
KK032845	1	17	KK072458R	9	19	KK304073	10	1	KK304321R	6	31
KK032845	2	18	KK077000	5	39	KK304076	8	17	KK304322R	6	32
KK032845	3	22	KK077011	5	40	KK304076	9	24	KK304324	6	33
KK032850	1	18	KK077012R	5	41	KK304126	2	28	KK304347	6	34
KK032885	8	15	KK077558R	2	21	KK304126	3	31			
KK032885	9	17	KK077558R	3	26	KK304130	3	32			
KK032908	2	19	KK094206	9	20	KK304134	1	22			
KK032908	3	23	KK094207	9	21	KK304134	2	29			
KK032936	3	24	KK191234	8	16	KK304134	3	33			
KK032960	2	20	KK191234	9	22	KK304135	1	23			
KK032960	3	25	KK191234	10	6	KK304135	2	30			
KK033006R	6	14	KK301054R	5	42	KK304135	3	34			
KK035020R	5	24	KK301054R	6	19	KK304136	1	24			
KK035021R	5	25	KK301054R	7	11	KK304136	2	31			
KK053090R	5	26	KK301080	5	43	KK304136	3	35			
KK056873R	6	15	KK301082	1	20	KK304140	3	36			
KK05706388	5	27	KK301082	2	22	KK304143	2	32			
KK05706488	5	28	KK30146594	5	44	KK304165	1	25			



CLG III

127 < Mach. ID <=

Kverneland Group Operation Norway AS
Plogfabrikkvegen 1
N-4353 Klepp Stasjon
\nNorway
+47 51429000
+47 51429001
www.kvernelandgroup.com

© Kverneland Group

All rights reserved. No parts of this book may be reproduced, stored in a database or retrieval system, or published in any form or in any way, electronically, mechanically, optically, by print, photo print, microfilm (including micro and macro fiche), or any other means, including all video and CD systems, without prior written permission from the publisher.

Print date: 2023-07-05

