

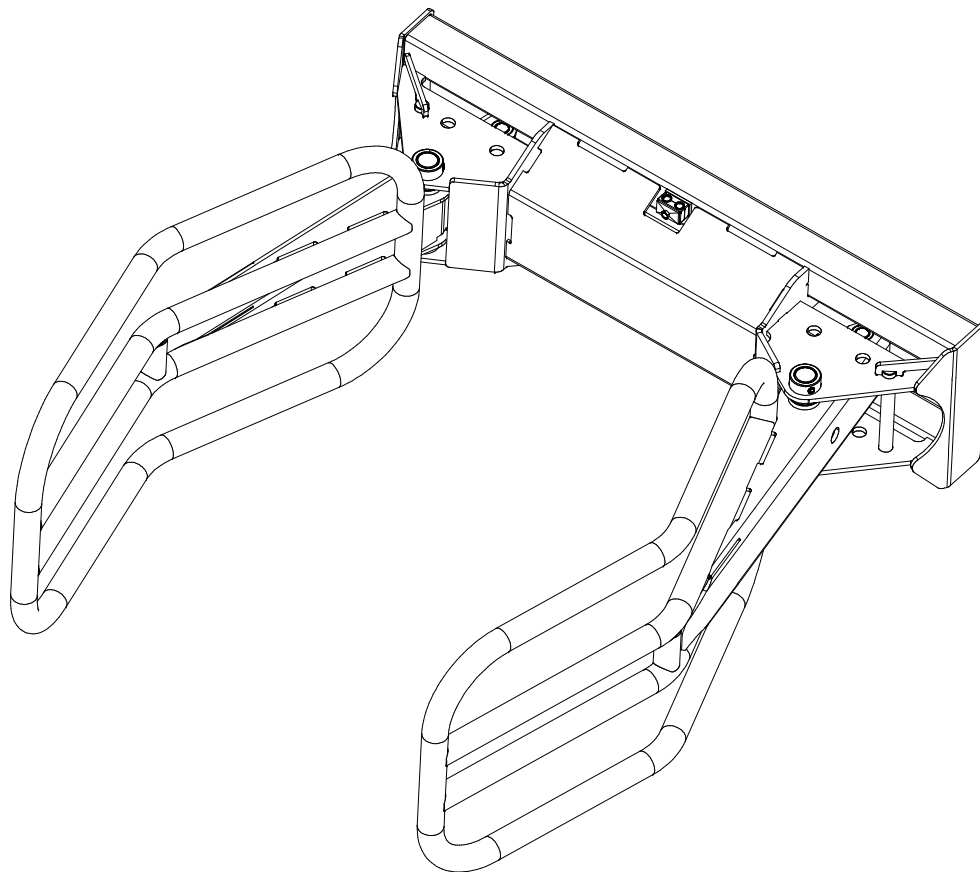
# McHale R5



QUALITY

I.S. EN ISO 9001:2008

**NSAI Certified**



## R5 Spare Parts Book

McHale,  
Ballinrobe,  
Co. Mayo, Ireland.

Tel: +353 94 9520300

Fax: +353 94 9520356

Email: [sales@mchale.net](mailto:sales@mchale.net)

Website: [www.mchale.net](http://www.mchale.net)

---

This page is intentionally left blank

---

## Introduction

---

The **McHale R5** which you have purchased has been developed through years of constant research and development. Given proper care and attention the **R5** will give years of reliable and dependable performance. However it is important that the operators manual is read and fully understood to achieve this, **before** the machine is operated. As part of this philosophy it is vital to use only **genuine McHale** replacement parts, as these are manufactured to the same high standard as the original machine. These may be obtained through your **McHale** dealer.

If any part of this manual is not fully understood, please contact your **McHale** dealer who will be able to answer any questions or queries that you might have. It is important to quote the machine serial number when requiring spare parts or technical assistance. Space is provided below to record the machine details:

<b>Serial number:</b>	
<b>Year of manufacture:</b>	
<b>Date of delivery:</b>	

If you require further copies of this spare parts manual please  
quote part number CLT00352

**Note:** Parts described as left and right are done so according to the direction that the machine normally travels in.

**Note:** Due to a policy of continuous product development and improvement *McHale Engineering* reserve the right to alter machine specifications without prior notice.

---

# Contents

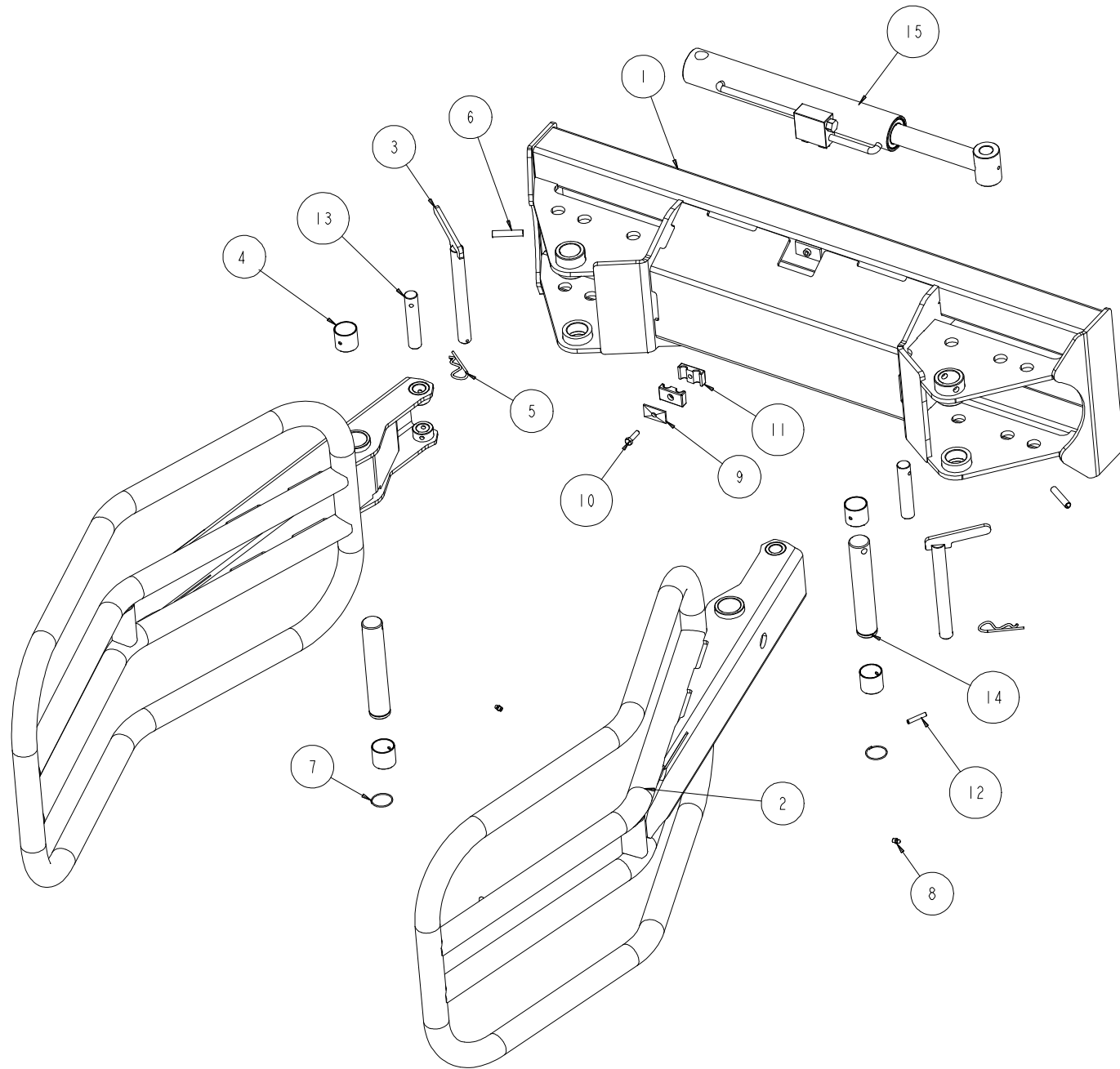
---

Section	Page No	Document No	Section	Page No	Document No
<b>R5</b>					
Chassis (484)	6	SPD00484			
Decals R5 (889)	8	SPD00889			

---

This page is intentionally left blank

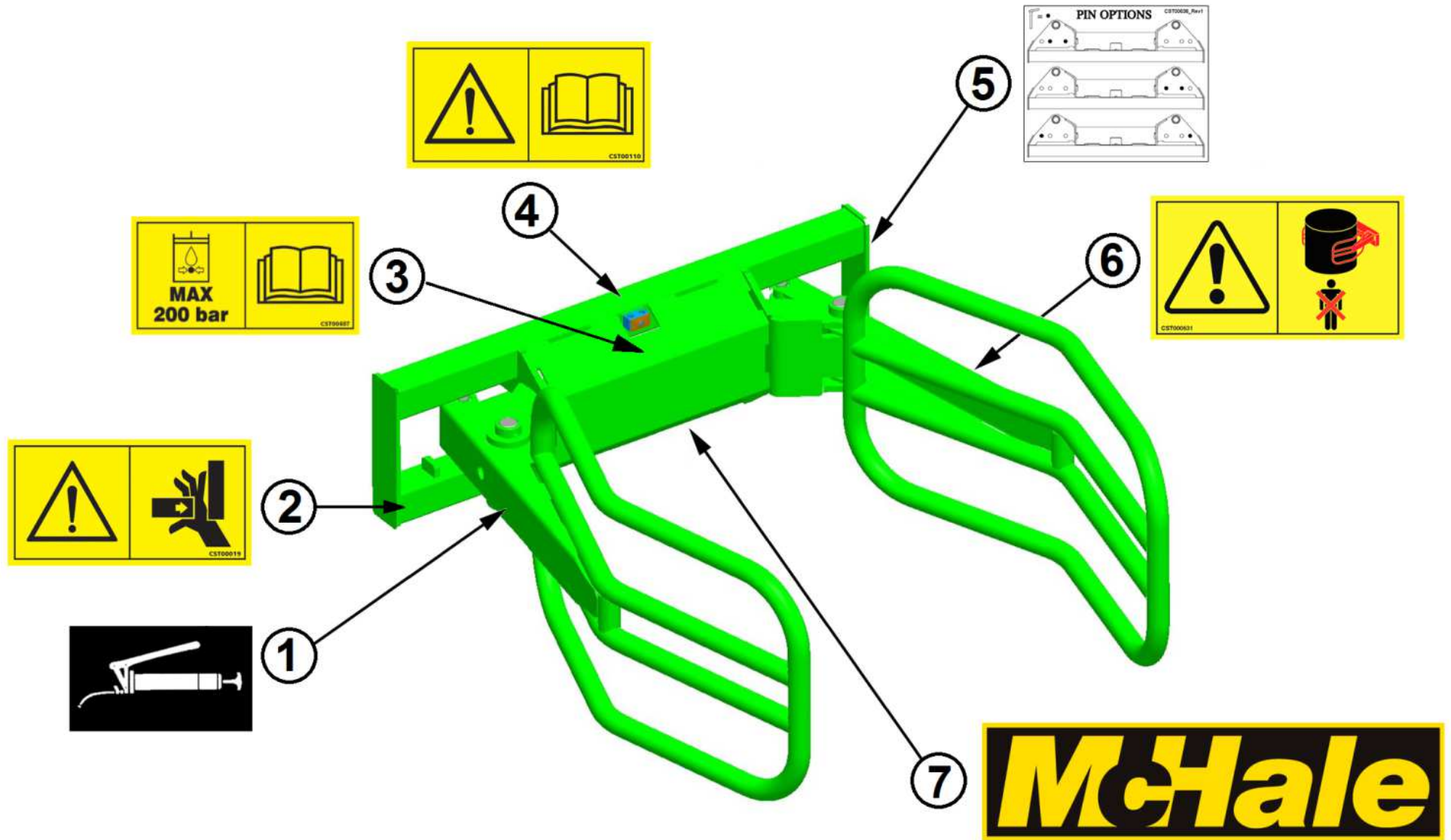
# Chassis (484)



No.	Part No	Description	Qty
1	ACH02222	SOFT HANDS BACK WELD ASSY	1
2	ACH02224	SOFT HANDS WELD ASSY	2
3	ALA00180	BALE HANDLER LOCK PIN	2
4	CBR00018	BEARING GLACIER PM 4040 DX	4
5	CFA00004	R-CLIP 4MM	2
6	CFA00110	ROLL PIN 12X60 MIKALOR ONLY	2
7	CFA00113	SNAP RING 40MM	2
8	CFA00118	GREASE NIPPLE M8X1.25 STRAIGHT	2
9	CFA00183	HOSE CLAMP COVER PLATE 14-18MM	1
10	CFA00316	BOLT M8X30 Z/P	1
11	CFA00374	14MM HOSE CLAMP	2
12	CFA00380	ROLL PIN 8X40 Z/P	2
13	CMH01047	PIN 25X125 8MM C HOLE	2
14	CMH01052	PIN 40X225	2
15	CRA40026	RAM 70X40 C/W CHECK VALVE	1
15a	CSE40026	SEAL KIT CRA40026 70MM RAM	1
15b	CVA00035	CTE CHECKVALVE MCHALE 20	1

No.	Part No	Description	Qty
-----	---------	-------------	-----

**Decals R5 (889)**



No.	Part No	Description	Qty
1	CST00060	DECAL GREASE GUN MCH 004	2
2	CST00019	DECAL CRUSHED HAND MCH-005	2
3	CST00657	DECAL MAX OIL PRESSURE	1
4	CST00110	DECAL READ MANUAL (HORIZONTAL)	1
5	CST00638	DECAL PIN LOCATION	1
6	CST00631	DECAL DO NOT STAND UNDER BALE	2
7	CST00637	DECAL MCHALE R5 HANDLER	1

No.	Part No	Description	Qty
-----	---------	-------------	-----