

MONTAJ VE YEDEK PARA KATALOĐU

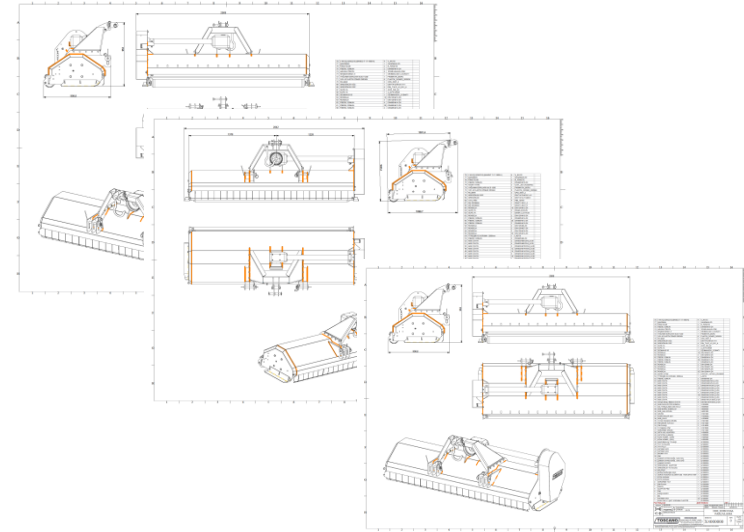


TOSCANO

agricultural machinery

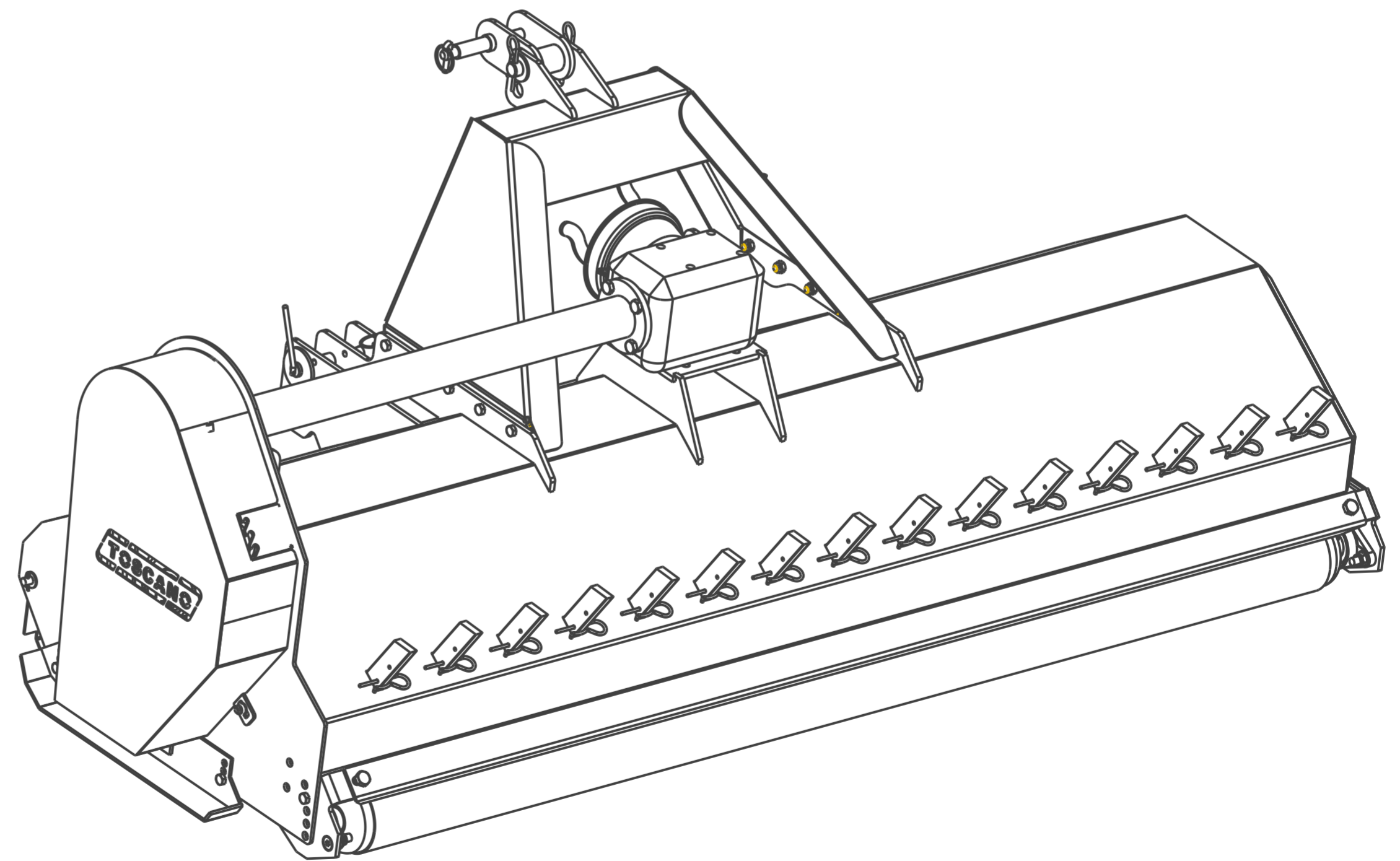
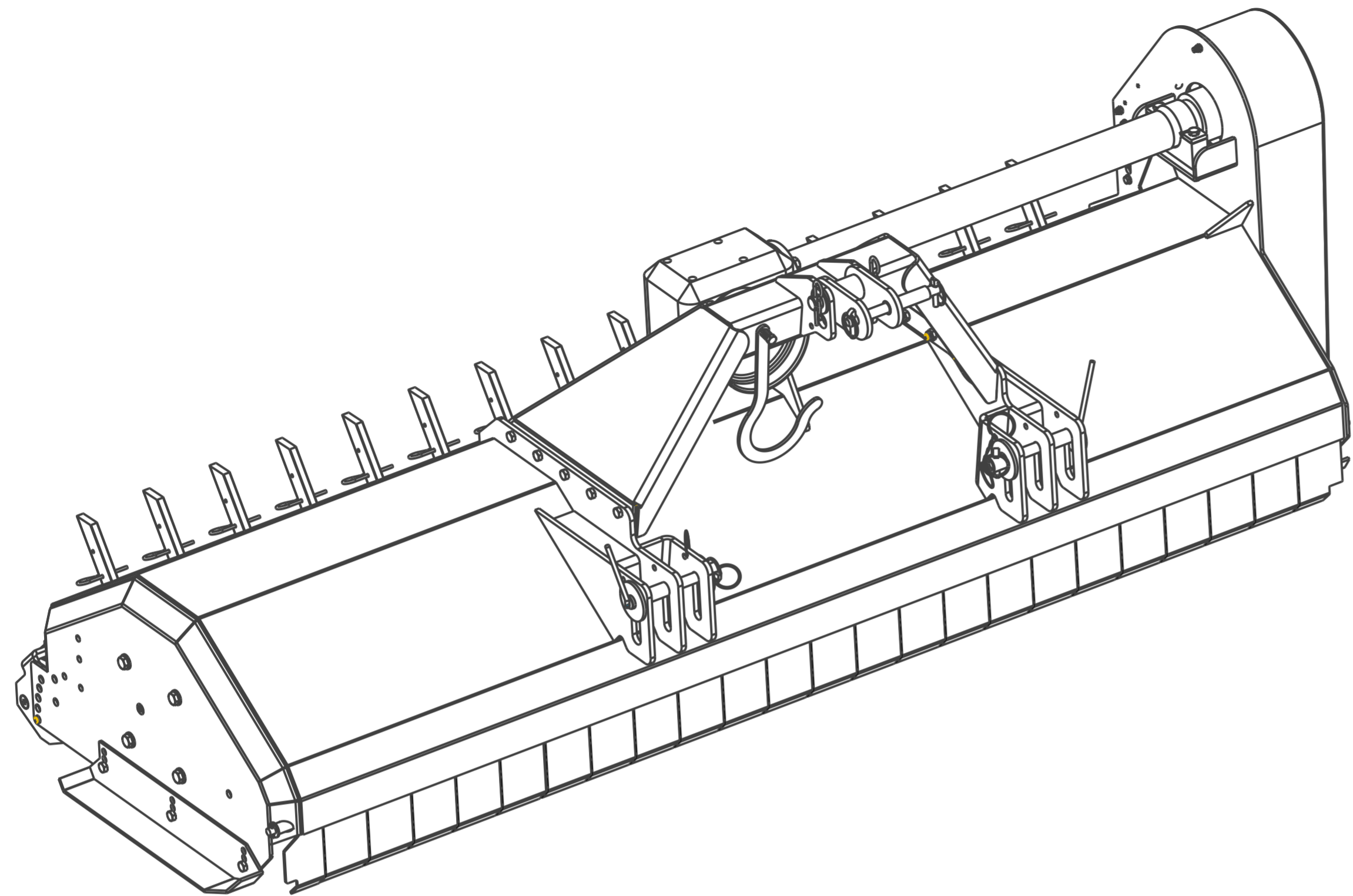
Euro Sabit Dal Paralama

1600-2000-2400-2600

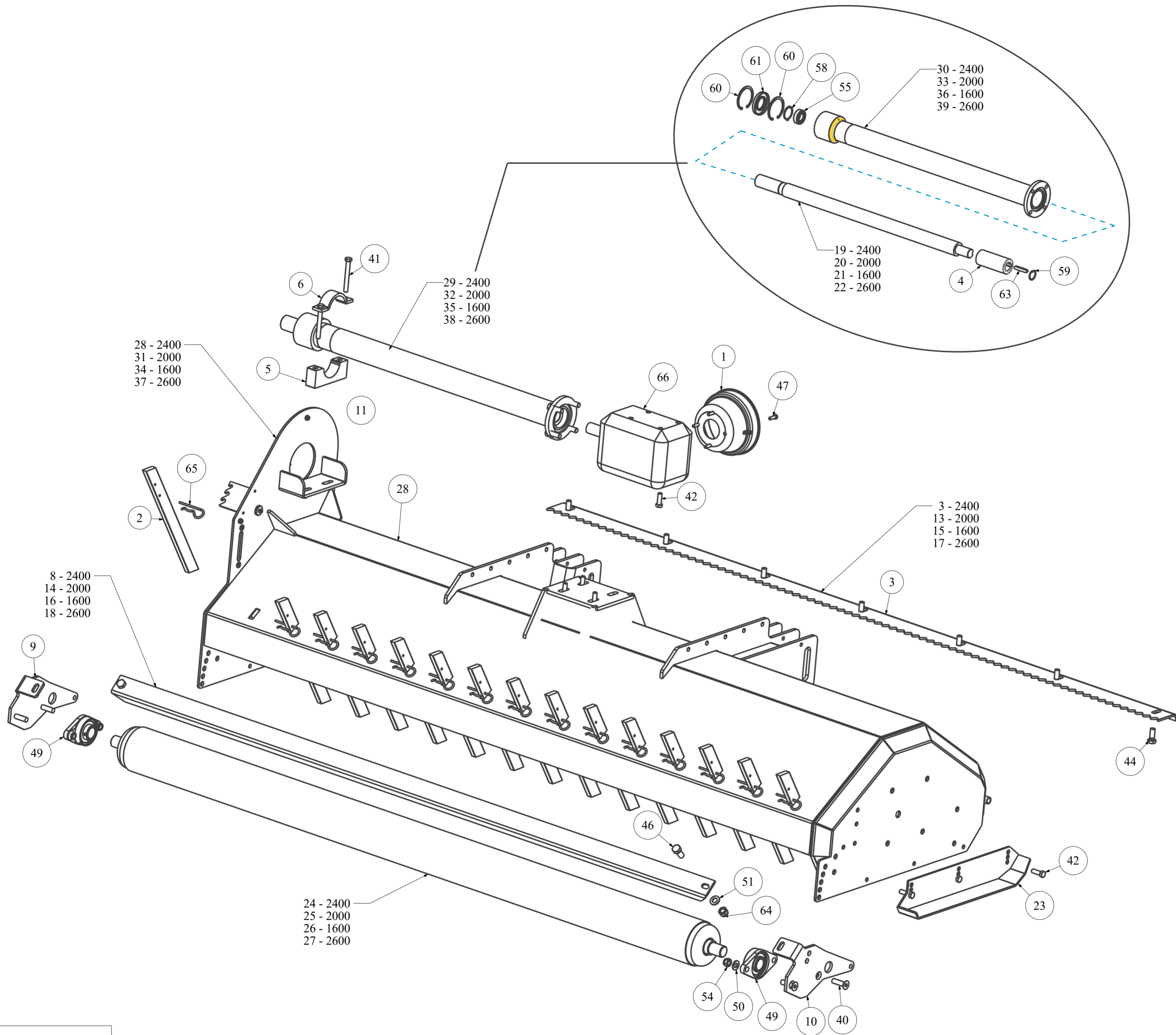


X40-3922-02

Organize Sanayi B3lgesi 20. Cadde No:27
ODUNPAZARI / ESKİŐEHİR - TÜRKiYE
+90 222 236 16 30
+90 222 236 16 29

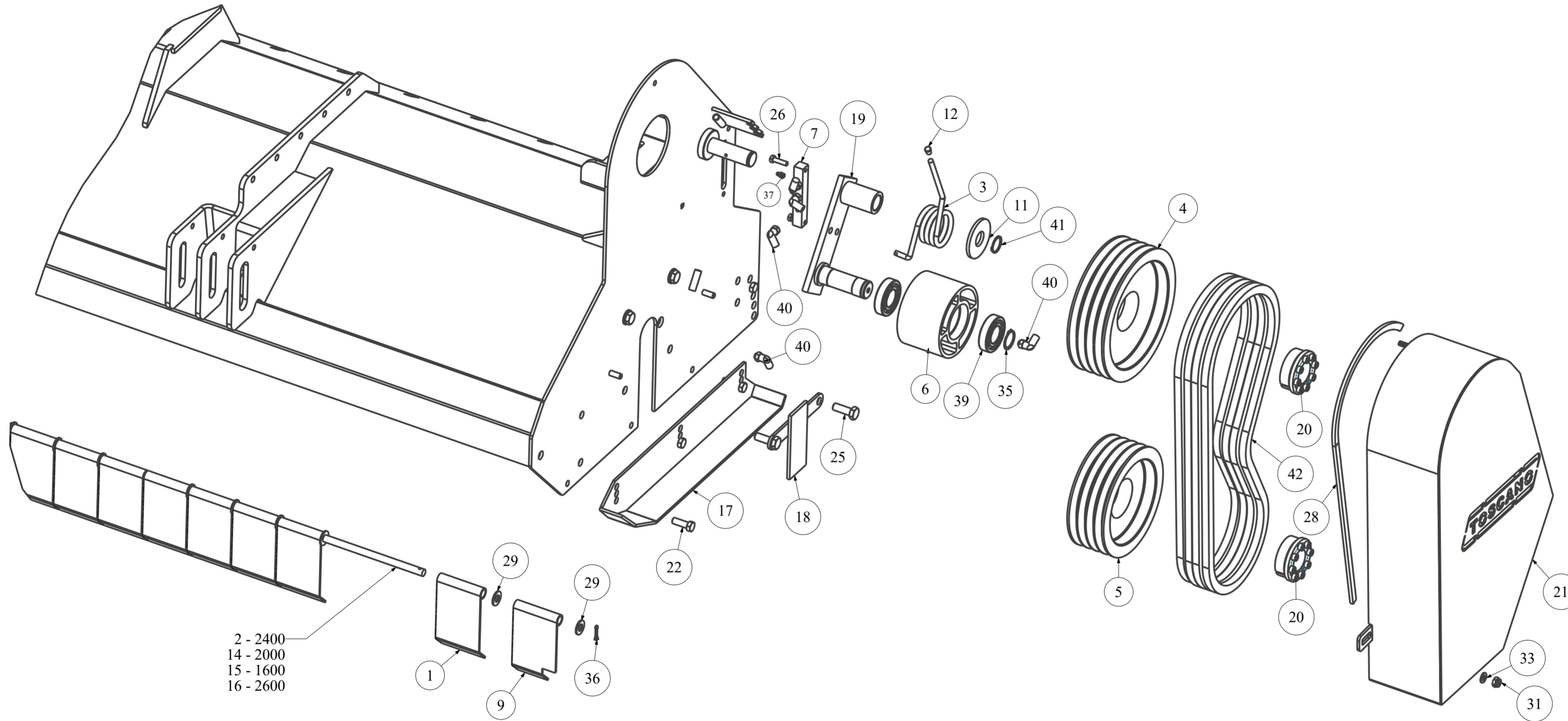


X40-3922-02



| | | |
|-----|----------------------------------|--------------|
| 66 | ŞANZIMAN | HM-058-00010 |
| 65 | FİRKETE Ø5 | HM-047-00045 |
| 64 | FİBERLİ SOMUN | HM-042-00028 |
| 63 | KAMA | HM-066-00011 |
| 62 | GRESÖRLÜK DÜZ | HM-084-00001 |
| 61 | TOZ KEÇESİ | HM-062-00019 |
| 60 | SEGMAN Ø 85 | HM-060-00029 |
| 59 | SEGMAN Ø 34 | HM-060-00036 |
| 58 | SEGMAN Ø 45 | HM-060-00025 |
| 57 | RONDELA | HM-041-00007 |
| 56 | RONDELA | HM-041-00006 |
| 55 | 25X52X15 | HM-059-00105 |
| 54 | FİBERLİ SOMUN | HM-042-00027 |
| 53 | FİBERLİ SOMUN | HM-042-00026 |
| 52 | RONDELA | HM-041-00005 |
| 51 | RONDELA | HM-041-00009 |
| 50 | RONDELA | HM-041-00008 |
| 49 | HAZIR YATAK | HM-059-00063 |
| 48 | FİBERLİ SOMUN | HM-042-00024 |
| 47 | AKB CİVATA | HM-044-00041 |
| 46 | AKB CİVATA | HM-044-00157 |
| 45 | AKB CİVATA | HM-044-00129 |
| 44 | AKB CİVATA | HM-044-00127 |
| 43 | AKB CİVATA | HM-044-00106 |
| 42 | AKB CİVATA | HM-044-00105 |
| 41 | AKB CİVATA | HM-044-00093 |
| 40 | HAVŞA BAŞLI İMBUS CİVATA | HM-044-00235 |
| 39 | 2600_BOĞAZ | X4305000 |
| 38 | 2600_BOĞAZ KOMPLESİ | X4304000 |
| 37 | 2600_ANA GÖVDE | X4301000 |
| 36 | 1600_BOĞAZ | X4205000 |
| 35 | 1600_BOĞAZ KOMPLESİ | X4204000 |
| 34 | 1600_ANA GÖVDE | X4201000 |
| 33 | 2000-2400_BOĞAZ | X4105000 |
| 32 | 2000_BOĞAZ KOMPLESİ | X4104000 |
| 31 | 2000_ANA GÖVDE | X4101000 |
| 30 | 2400_BOĞAZ | X4005000 |
| 29 | 2400_BOĞAZ KOMPLESİ | X4004000 |
| 28 | 2400_ANA GÖVDE | X4001000 |
| 27 | 2600_RULO | X1329000 |
| 26 | 1600_RULO | X1229000 |
| 25 | 2000_RULO | X1129000 |
| 24 | 2400_RULO | X1029000 |
| 23 | KIZAK KOMPL. (SAĞ) | X1004000 |
| 22 | 2600_BOĞAZ MİLİ | Q4304001 |
| 21 | 1600-BOĞAZ MİLİ | Q4204001 |
| 20 | 2000-BOĞAZ MİLİ | Q4104001 |
| 19 | 2400_BOĞAZ MİLİ | Q4004001 |
| 18 | 2600_ÇAMUR SİYİRİCİ | Q1300024 |
| 17 | 2600_KARŞI KESİCİ | Q1300003 |
| 16 | ÇAMUR SİYİRİCİ | Q1200024 |
| 15 | KARŞI KESİCİ | Q1200003 |
| 14 | 2000_ÇAMUR SİYİRİCİ | Q1100024 |
| 13 | KARŞI KESİCİ | Q1100003 |
| 12 | ŞANZUMAN ALT FLANŞI | Q1000038 |
| 11 | ŞİM | Q1000030 |
| 10 | ÇAMUR SİYİRİCİ BAĞL. SACI SOL | Q1000026 |
| 9 | ÇAMUR SİYİRİCİ BAĞL. SACI SAĞ | Q1000025 |
| 8 | ÇAMUR SİYİRİCİ | Q1000024 |
| 7 | GRESÖRLÜK ADAPTÖR | Q1000023 |
| 6 | KELEPÇE | Q1000020 |
| 5 | BOĞAZ BAĞLAMA SACI | Q1000019 |
| 4 | FREZELİ BURC | Q1000018 |
| 3 | KARŞI KESİCİ | Q1000003 |
| 2 | LAMA | Q1000039 |
| 1 | EURO DAL P. ŞAFT KORUMA PLASTİĞİ | Q1000036 |
| POZ | PARÇA ADI | CODE |

X40-3922-02



X40-3922-02

| | | |
|-----|---|--------------|
| 42 | V KAYIŞ (DIN2215) (BANDO T-17-1600-K) | HM-064-00005 |
| 41 | SEGMAN Ø30x1,5 | HM-060-00031 |
| 40 | 1/8"x 8 PLASTİK DÖNER DIRSEK | HM-085-00035 |
| 39 | RULMAN | HM-059-00058 |
| 38 | GRESÖRLÜK DÜZ | HM-084-00001 |
| 37 | GRESÖRLÜK DÜZ | HM-084-00001 |
| 36 | GÜPİLYA | HM-047-00016 |
| 35 | SEGMAN Ø 35 | HM-060-00031 |
| 34 | RONDELA | HM-041-00007 |
| 33 | RONDELA | HM-041-00006 |
| 32 | FİBERLİ SOMUN | HM-042-00026 |
| 31 | FİBERLİ SOMUN | HM-042-00096 |
| 30 | RONDELA | HM-041-00005 |
| 29 | RONDELA | HM-041-00008 |
| 28 | TİTREŞİM VE KORUMA 2000mm | HM-087-00036 |
| 27 | FİBERLİ SOMUN | HM-042-00024 |
| 26 | AKB CİVATA | HM-044-00058 |
| 25 | AKB CİVATA | HM-044-00129 |
| 24 | AKB CİVATA | HM-044-00127 |
| 23 | AKB CİVATA | HM-044-00106 |
| 22 | AKB CİVATA | HM-044-00105 |
| 21 | GÖVDE | X1031000 |
| 20 | KONİK BİLEZİK SET | X1030000_ |
| 19 | GERDİRME GRUBU | X1011000 |
| 18 | KAPATMA ELEMANI | X1006000 |
| 17 | KIZAK KOMPL. (SOL) | X1003000 |
| 16 | 2600_MİL | Q1300002 |
| 15 | MİL | Q1200002 |
| 14 | MİL | Q1100002 |
| 13 | ŞANZUMAN ALT FLANŞI | Q1000038 |
| 12 | YAY TUTACAĞI | Q1000037 |
| 11 | YAY PULU | Q1000035 |
| 10 | KAPAMA SACI | Q1000034 |
| 9 | KAPAMA SACI | Q1000033 |
| 8 | GRESÖRLÜK ADAPTÖR | Q1000023 |
| 7 | GRESÖRLÜK TUTUCUSU | Q1000022 |
| 6 | GERGİ KASNAĞI (ALÜMİNYUM) *AGR:304101169* | Q1000015 |
| 5 | Ø 224 KASNAK | Q1000014 |
| 4 | Ø 270 KASNAK | Q1000013 |
| 3 | GERDİRME YAYI | Q1000010 |
| 2 | MİL | Q1000002 |
| 1 | KAPAMA SACI | Q1000001 |
| POZ | PARÇA ADI | CODE |

***SADECE ORİJİNAL YEDEK PARÇA KULLANINIZ!!!**

***SİPARİŞLERİNİZDE MODEL VE MAKİNE SERİ
NUMARASI BİLDİRİNİZ. (YEDEK PARÇALAR MODEL VE
SERİ NUMARASINA GÖRE FARKLILIK GÖSTEREBİLİR.)**



Organize Sanayi Bölgesi 20. Cadde No:27
ODUNPAZARI / ESKİŞEHİR - TÜRKİYE
+90 222 236 16 30
+90 222 236 16 29
pazarlama@toscano.com.tr
www.toscano.com.tr