

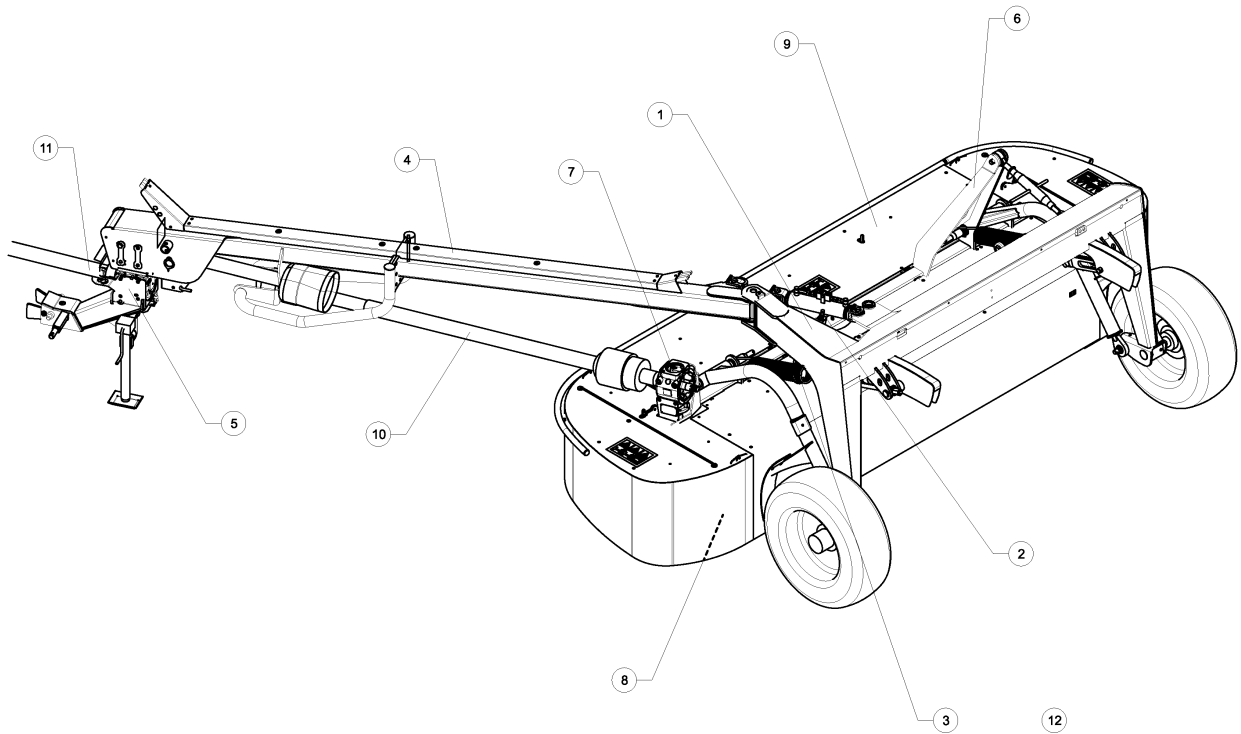
EXTRA 532

Spare Parts Manual

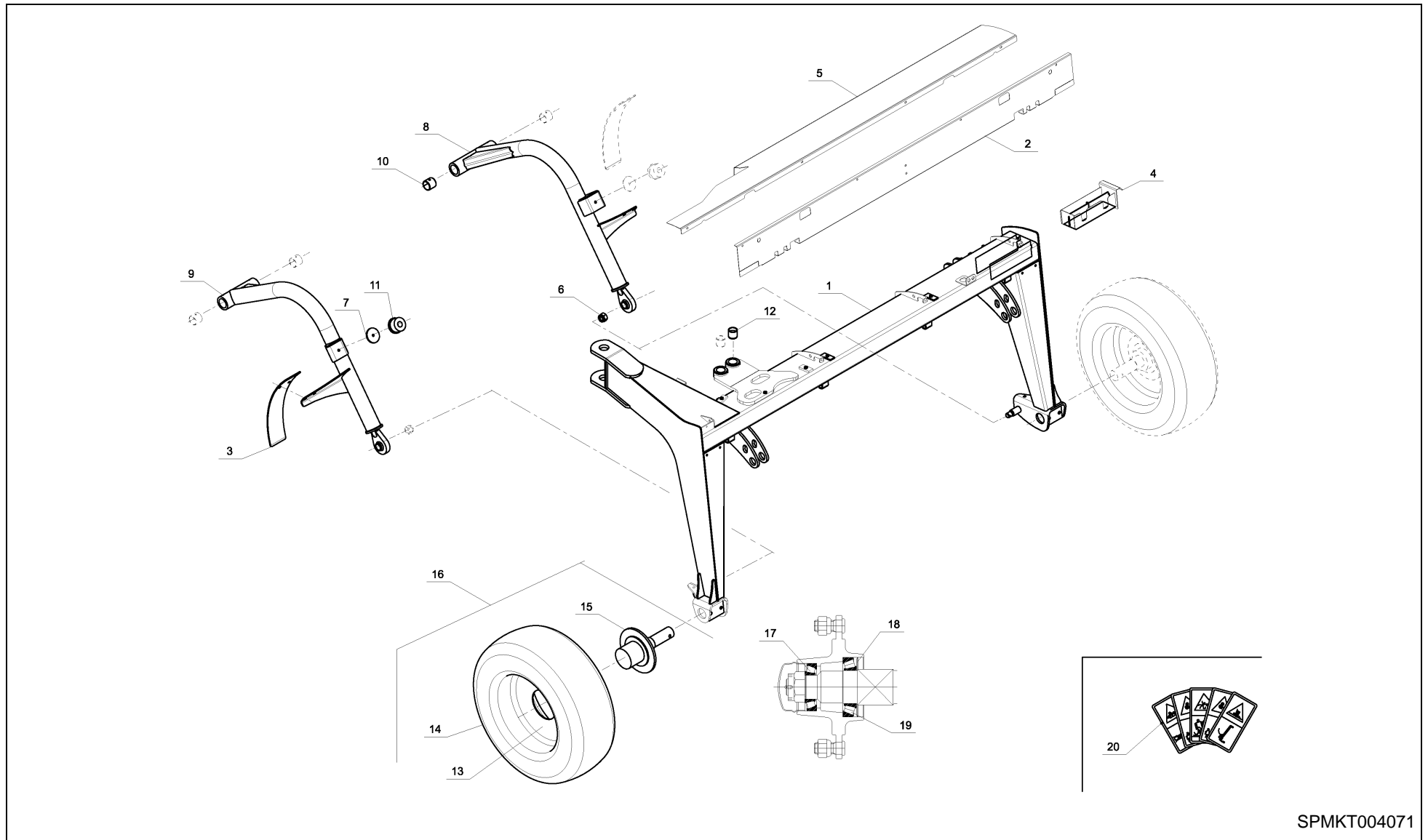
Article number: A132202840_01-2014-04
Language: EN
Production year (from): 2014
Prod. Series nr (from):
KT447406 < Mach. ID <=

EXTRA 532 / Table of Contents

PosNo.	Assembly group	Page
1	PRIMARY FRAME, WHEEL	1
2	SPRING, HYDRAULIC CYLINDER	2
4	DRAWBAR	3
5	SWIVEL GEAR, COMPLETE	4
6	SECONDARY FRAME	5
7	MAIN GEAR BOX	6
8	CUTTERBAR, COMPLETE	7
8	CUTTERBAR, SPARE PARTS SET	8
8	TRANSMISSION, CUTTERBAR	9
8	TRANSMISSION, CUTTERBAR + PROFIT	10
9	GUARD	11
9	GUARD	12
10	PTO SHAFT	13
11	PTO SHAFT	14
11	FRICTION CLUTCH	15
12	OPTIONAL EQUIPMENT	16
12	OPTIONAL EQUIPMENT	17
12	OPTIONAL EQUIPMENT	18
12	OPTIONAL EQUIPMENT	19



EXTRA 532 / Primary frame, wheel



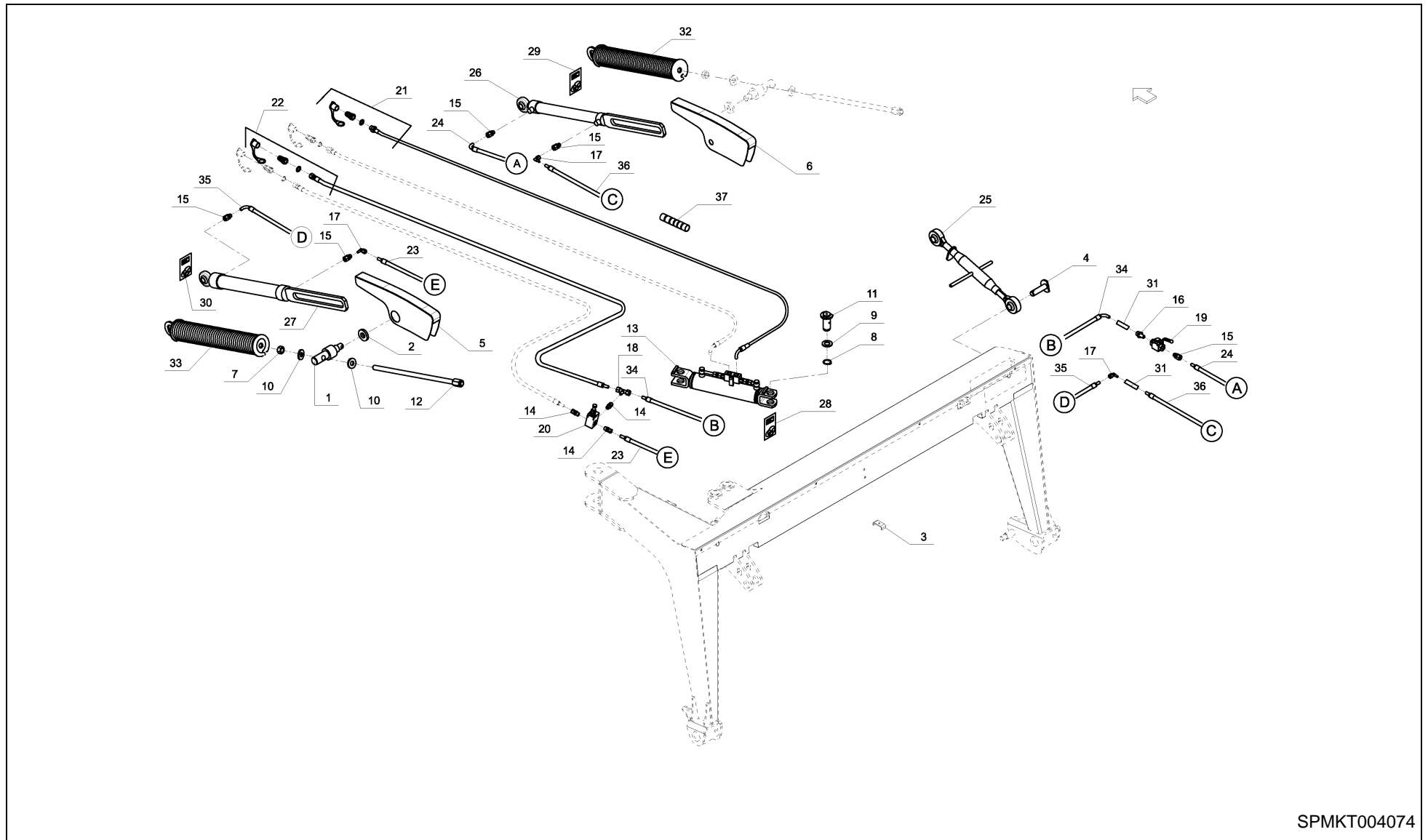
SPMKT004071



EXTRA 532 / Primary frame, wheel

PosNo.	Part No.	Qty.	Description	Remark
1	A132015594	1	MAINFRAME TROLLY 3,2M	
2	A132016794	1	COVER BACK	
3	A132017386	2	GUARD	
4	A132020694	1	TOOLBOX	
5	A132149494	1	COVER FRONT 3,2M	
6	KT99307973	2	SLOTTED NUT M24	
7	KT70122000	2	WASHER	
8	KT9299300086	1	ARM RH	
9	KT9299400086	1	ARM LH	
10	KT99158088	4	GLACIER BUSHING PM 4545 DX	
11	KT99450758	2	RUBBER DAMPER	
12	KT91617000	2	BUSHING	
13	VF06216716	2	RIM 9X15,3 ET-5 RAL 9006 SILVER	
14	VF01139263	2	TYRE 10.0+75-15,3 8PR	
15	VNB1604878	2	WHEEL HUB, 6-HOLE	
16	VF06571364	2	WHEEL 10.0/75-15,3 8PR	
17	KG01799100	2	TAPER ROLLER BEARING 30207	
18	VGBR552	2	SEAL	
19	KG01802500	2	TAPER ROLLER BEARING 30211	
20	A132146930	1	DECAL SET 5XX - 50XX	

EXTRA 532 / Spring, hydraulic cylinder



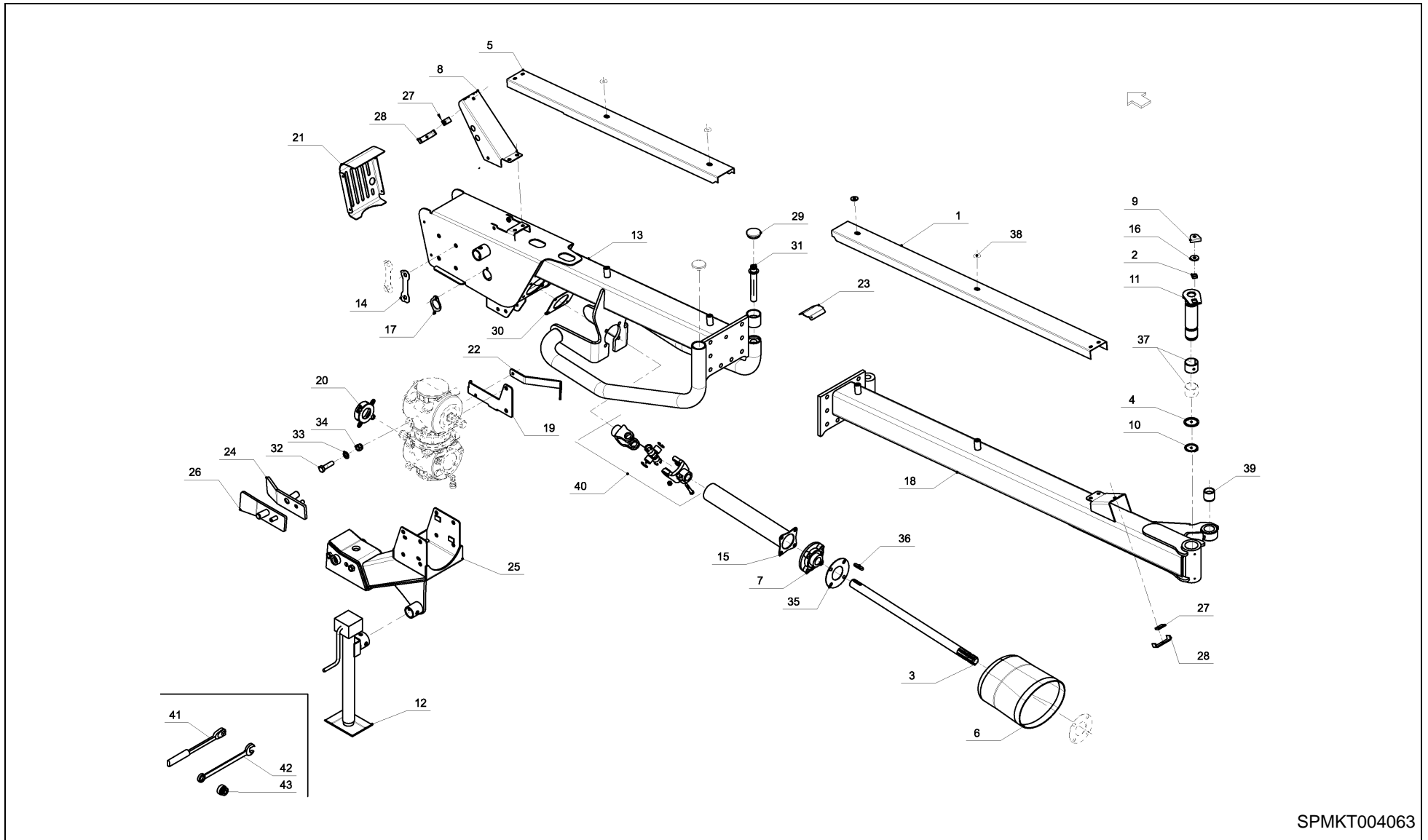
SPMKT004074



EXTRA 532 / Spring, hydraulic cylinder

PosNo.	Part No.	Qty.	Description	Remark
1	A132017561	2	SHAFT	
2	A132017761	2	WASHER	
3	A132017861	6	BRACKET	
4	A132020361	1	PIVOT PIN	
5	A132020986	1	GUARD LH	
6	A132021086	1	GUARD	
7	KG01052661	2	HEX. NUT M22 8	
8	KG01109300	1	CIRCLIP-A 35 X 1.5	
9	KT56227000	1	SUPPORTING DISC	
10	KT68312000	4	WASHER (DISC)	
11	KT9051220061	1	PIN	
12	KT9051410061	2	SPINDLE	
13	KT9247800086	1	HYDRAULIC CYLINDER	
14	KT99402123	3	L-SCREWED CONNECTION	
15	KT99402121	5	STRAIGHT SCREWED CONNECTION	
16	KT99402912	1	PIPE SOCKET 3/8"-Ø12	
17	KT99403208	3	ANGLE SCREW-JOINT	
18	VF16617538	1	NOZZLE XET 12-L A3C	
19	KT99407410	1	BLOCK BALL VALVE 3/8	
20	KT99407540	1	PRESSURE COMPENSATOR VALVE DINOIL VPDB1	
21	A132144300	2	HOSE 1/4 R2X5600X1/2MX8F/90	
22	A132144500	2	HOSE 3/8 R2X5600X1/2MX12F	
23	A132144200	1	HOSE 3/8 R2X1570X12FX12F	
24	A132144800	2	HOSE 3/8 R2X1560X12F/90X12F	
25	VNB2825493	1	TOPLINK	
26	KT9291800086	1	CYLINDER KM	
27	KT9291700086	1	CYLINDER KM	
28	KT99413163	1	GASKET KIT	
29	A132098900	1	SEAL KIT FOR KT9291800086	
30	A132098800	1	SEAL KIT FOR KT9291700086	
31	VF01100600	2	STRAIGHT CONNECTOR XSV 12-L CF	
32	KT9296600063	1	SPRING CPL. N = 42,5 - Ø10MM	
33	KT9296500063	1	SPRING CPL. N = 41,5 - Ø12MM	
34	A132143800	1	HOSE 3/8 R2X1760X12F/90X12F	
35	A132144000	1	HOSE 3/8 R2X3130X12F/90X12F	
36	A132144700	1	HOSE 3/8 R2X1250X12FX12F	
37	KT79459000	3	FLEXIBLE COVER L=750 MM.	

EXTRA 532 / DRAWBAR



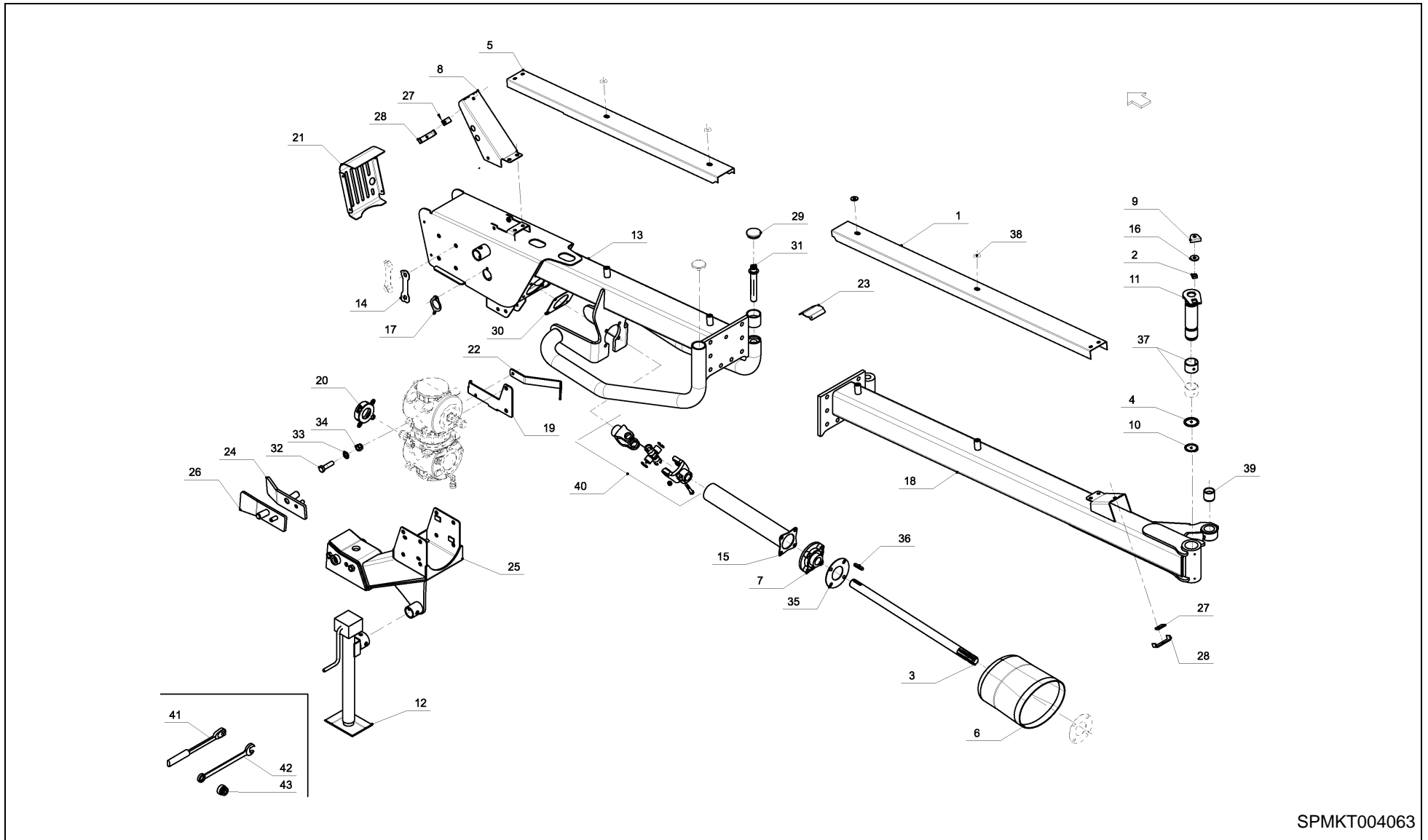
SPMKT004063



EXTRA 532 / DRAWBAR

PosNo.	Part No.	Qty.	Description	Remark
1	A132006194	1	COVER	
2	KT9150100061	1	CHIP	
3	A132005561	1	SHAFT	
4	KT99350537	1	SEEGER SUPPORT DISC SS50-62-3	
5	A132006094	1	COVER	
6	KT99244506	1	GUARD	
7	KT99125012	1	FLANGE BEARING Ø35	
8	A132006294	1	BRACKET	
9	KT9150000061	1	LOCK PLATE	
10	KG01110400	1	CIRCLIP-A 50 X 2	
11	A132013461	1	SHAFT	
12	VNB3287478	2	SUPPORT LEG	
13	A132009494	1	DRAWBAR FRONT 3,2M	
14	A132005261	4	NAB	
15	A132013394	1	TUBE	
16	KT59447000	1	WASHER	
17	KT28447000	1	COVER	
18	A132013994	1	DRAWBAR BACK	
19	A132005394	1	BRACKET	
20	KT9164900061	1	ADAPTOR	
21	A132005894	1	GUARD	
22	KT9165200061	1	ARM	
23	A132005494	1	GUARD	
24	A132006761	1	BRACKET RH	
25	A132007694	1	BRACKET	
26	A132006661	1	BRACKET LH	
27	A132007361	2	PLATE	
28	A132007461	2	BRACKET	
29	A132040600	2	PLUG 2"	
30	A132005794	1	PLATE	
31	A132006361	1	SHAFT	
32	KG00362161	1	HEX. BOLT M16X60 8.8	
33	KG01267761	1	WASHER M16	
34	KG01064461	1	LOCK NUT M16 8	
35	KT9096700061	2	PLATE	
36	KG01309000	1	KEY 10X8X45	
37	KT99158090	2	GLACIER BUSHING PM 5040 DX	
38	KG01260361	4	WASHER M10X30 ST	
39	KT91617000	1	BUSHING	
40	KT99244485	1	UNIVERSAL JOINT, COMPLETE	

EXTRA 532 / DRAWBAR



SPMKT004063

EXTRA 532 / DRAWBAR

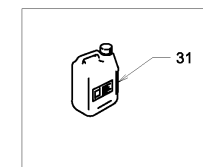
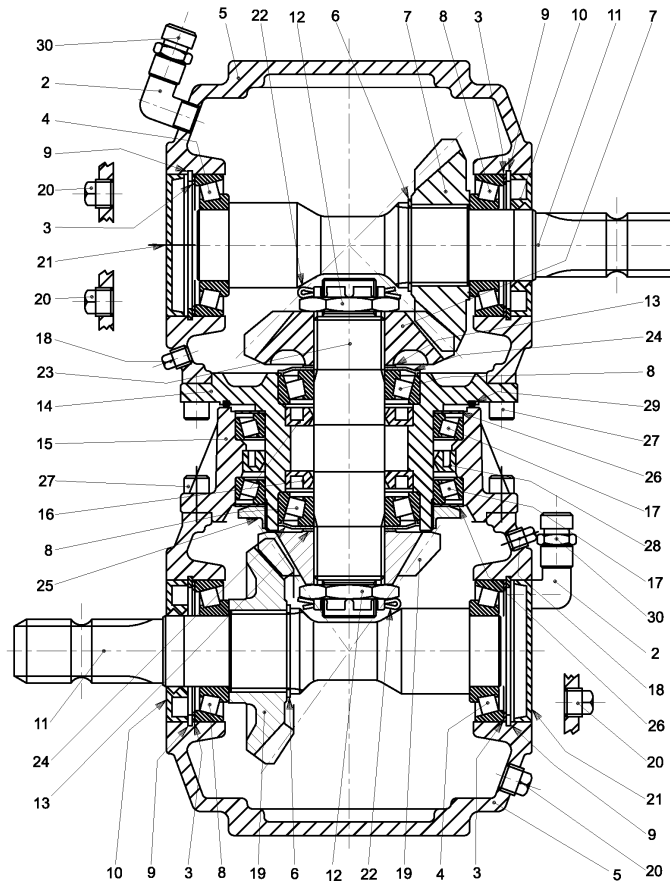


PosNo.	Part No.	Qty.	Description	Remark
41	KT99458246	1	SOCKET WRENCH 1/2"	
42	KT99458248	1	COMBINATION WRENCH 32MM	
43	KT99458247	1	SOCKET 1/2" 32MM	

EXTRA 532 / Swivel gear, complete



Complete No. 1



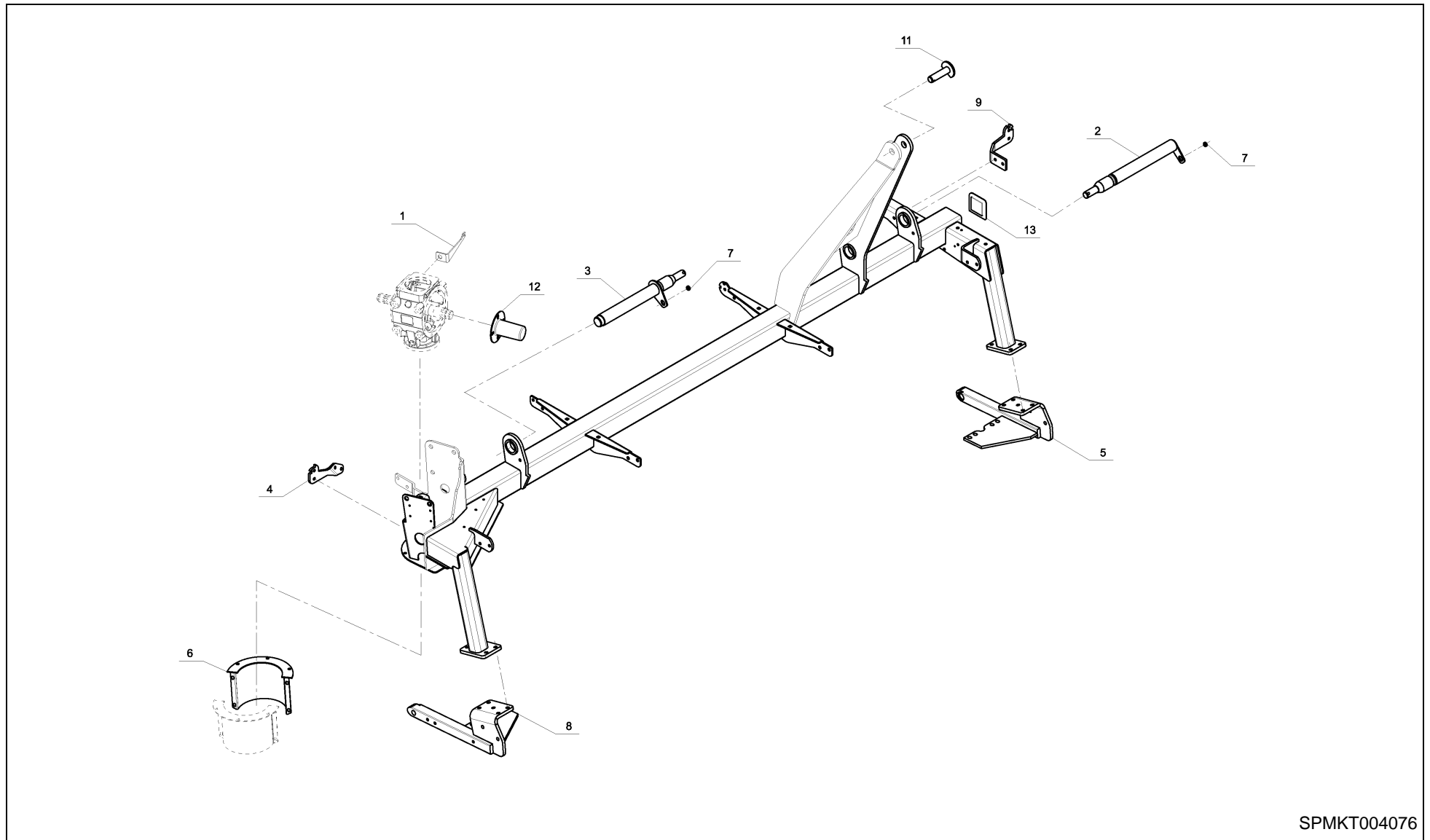
SPMKT004056



EXTRA 532 / Swivel gear, complete

PosNo.	Part No.	Qty.	Description	Remark
1	A132098430	1	SWIVEL GEAR, 540/1000 RPM	
2	KT99251195	2	ANGLE NIPPEL	
3	KT99250556	4	WASHER (DISC) Ø79,9	
4	KG01799800	2	TAPER ROLLER BEARING 30208	
5	A132085400	2	CASING	
6	KT99251284	2	SNAP RING 46 UNI7436	
7	A132085200	1	GEAR WHEEL SET Z=18/18	
8	KG01799100	4	TAPER ROLLER BEARING 30207	
9	KG01130900	4	CIRCLIP-B 80 X 2.5	
10	KT99251290	2	DOUBLE LIP SEAL Ø40XØ80X12	
11	A132085600	2	SHAFT 3/8"	
12	A132085700	2	NUT M30X1,5	
13	KT99250471	2	SHIM 51,5	
14	A132085800	1	EXTENSION	
15	KT99250557	1	BEARING COLLAR	
16	KT99424068	2	OIL SEAL BA 40/72-10	
17	KT99250599	2	ROLLER BEARING L 319349/310	
18	KT99250999	2	PLUG	
19	KT91963000	1	GEAR WHEEL SET Z= 23/17	
20	KT99250982	3	OIL PLUG 3/8"	
21	KT99251142	2	COVER 80X10	
22	A132085900	2	COTTER PIN B4X55	
23	A132086000	1	SHAFT	
24	A132085300	1	PROTECIVE WASHER 30208 AV	
25	A132086100	1	LOCKNUT M92X2	
26	KT99250552	2	DISC	
27	KG00595800	16	CHEESE HEAD SCREW M10X25 12.9	
28	KT99424049	1	OIL SEAL	
29	KT99250597	1	O-RING 3525	
30	KT99250998	1	PLUG 3/8"	
31	KT10105000	1	OIL CAN 5 LTR.	

EXTRA 532 / Secondary frame



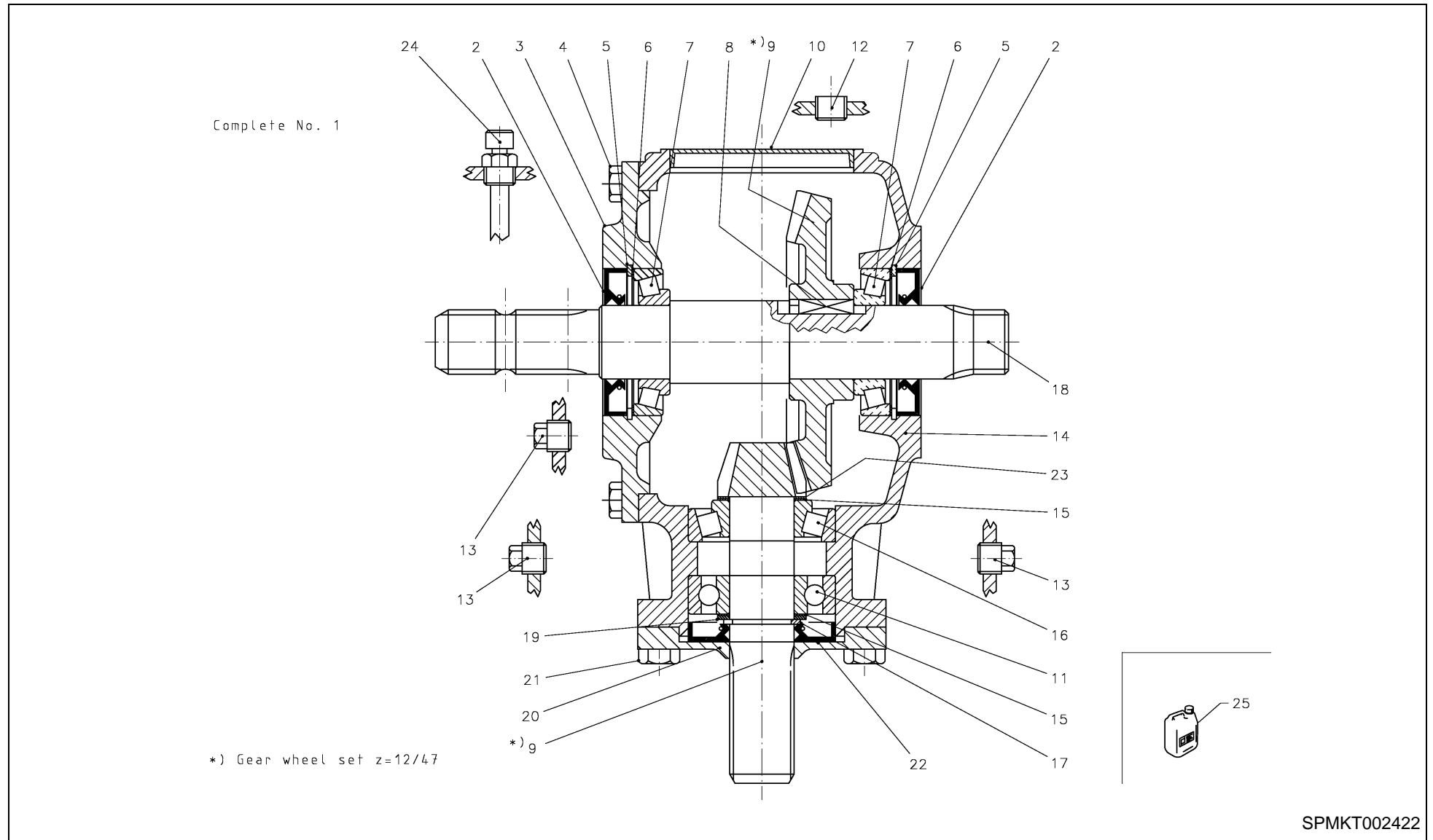
SPMKT004076



EXTRA 532 / Secondary frame

PosNo.	Part No.	Qty.	Description	Remark
1	A132017486	1	BRACKET	
2	A132022061	1	PIVOT PIN	
3	A132022361	1	PIVOT PIN	
4	A132039261	1	BRACKET	
5	KT1955400086	1	BRACKET	
6	KT1955510086	2	GUARD	
7	KT3130700061	2	RING	
8	KT9218700086	1	BRACKET LH	
9	KT9249500086	1	MAIN BRACKET, RH	
10	KT9310100086	1	MAINFRAME CUTTING UNIT KM3,2M	
11	A132020361	1	PIVOT PIN	
12	VF16624749.97	1	GUARD (BLACK)	
13	KT99458590	1	PLASTIC PLUG	

EXTRA 532 / Main gear box



SPMKT002422



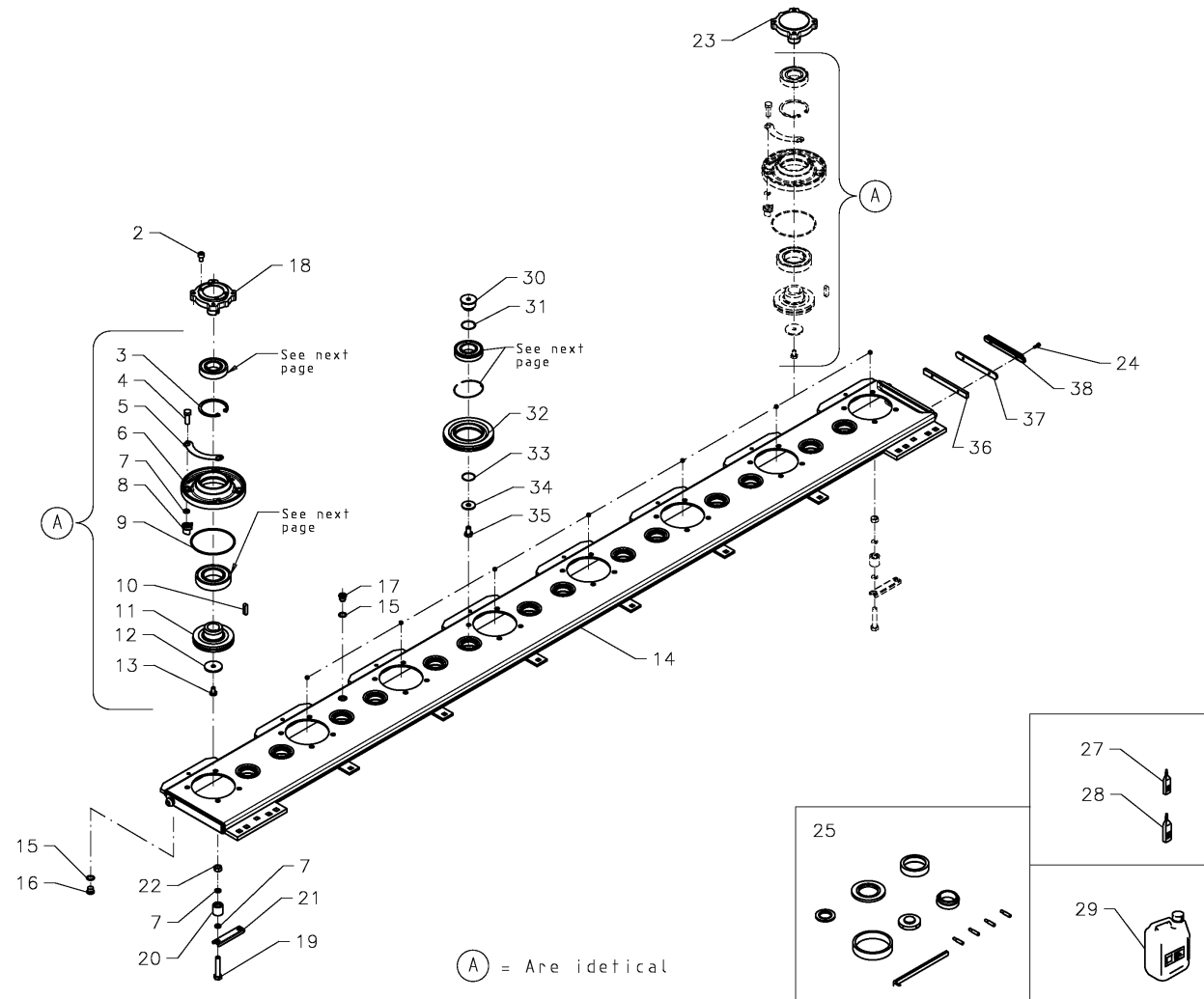
EXTRA 532 / Main gear box

PosNo.	Part No.	Qty.	Description	Remark
1	KT91635000	1	BEVEL GEAR	
2	KT99251290	2	DOUBLE LIP SEAL Ø40XØ80X12	
3	KT99251291	1	COVER	
4	KG00474261	8	HEX. SCREW M10X25 8.8	
5	KG01130900	2	CIRCLIP-B 80 X 2.5	
6	KT99250556	2	WASHER (DISC) Ø79,9	
7	KG01799800	2	TAPER ROLLER BEARING 30208	
8	KT99354142	1	KEY B12-8-35	
9	KT91956000	1	GEAR WHEEL SET Z=12/47	
10	KT99251267	1	CAP 100X10	
11	KG01401300	1	BALL BEARING 6307	
12	KT99250583	1	PLUG	
13	KT99250982	4	OIL PLUG 3/8"	
14	KT99251297	1	CASING	
15	KT99250946	2	WASHER Ø35,3-Ø48	
16	KT99106225	1	ROLLER BEARING 30307	
17	KG01099300	1	CIRCLIP-A 35 X 2.5	
18	KT99251305	1	SHAFT	
19	KT99251294	1	SHIM	
20	KT99251295	1	COVER	
21	KG00476561	4	HEX. SCREW M12X30 8.8	
22	KT99250989	1	SEAL RING	
23	KT99251298	1	SHIM Ø35,3X0,9	
24	KT99251296	1	PLUG 3/8	
25	KT10101000	1	OIL CAN 1 LTR.	

EXTRA 532 / Cutterbar, complete



Complete No. 1



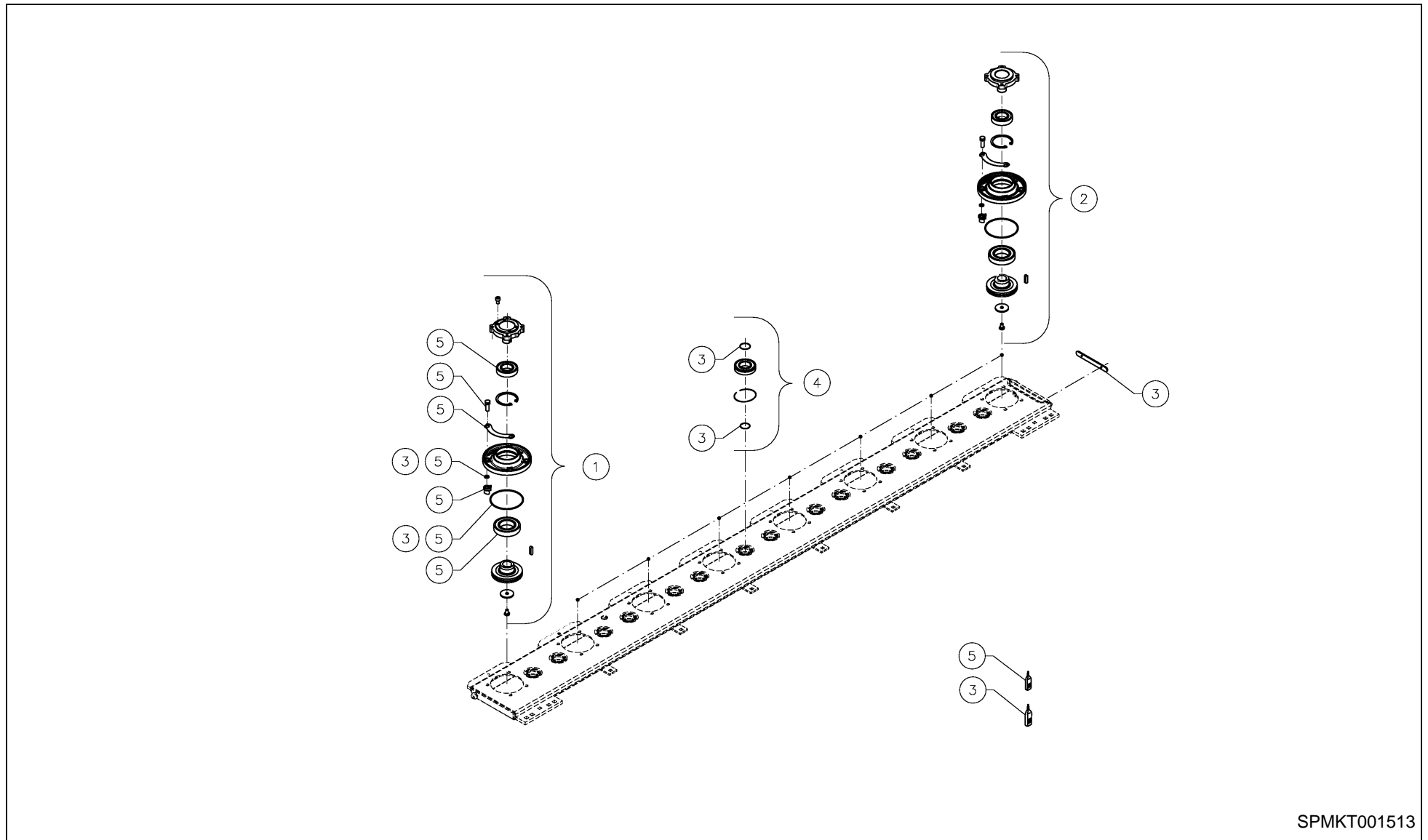
SPMKT001512



EXTRA 532 / Cutterbar, complete

PosNo.	Part No.	Qty.	Description	Remark
1	KT5521520086	1	8-DISC CUTTERBAR, COMPLETE	
2	KG00595400	4	CHEESE HEAD SCREW M10X16 12.9	
3	KG01130900	8	CIRCLIP-B 80 X 2.5	
4	KG01840800	28	HEX. SCREW M12X35 10.9 4017	
5	KT5572910061	16	LOCK PLATE	
6	KT55399000	8	CASING FOR 2 BEARINGS	
7	KT99420109	36	OIL SEAL Ø10,69X3,53	
8	KT55646100	28	NUT	
9	KT99420286	8	OIL SEAL Ø120,24X3,53	
10	KT99354026	8	PARALLEL KEY	
11	KT55640100	8	GEAR WHEEL Z=31	
12	KT55154000	8	WASHER 11/50-4	
13	KG00473961	8	HEX. SCREW M10X16 8.8	
14	KT5513000086	1	8-DISC CUTTERBAR	
15	KT99462718	2	DISC Ø16-Ø22X1	
16	KT99458109	1	TUBE PLUG M16X1,5	
17	KT99462633	1	PLUG M16X1,5	
18	KT55402000	1	HUB FOR CONE	
19	KT99302819	4	STEEL BOLT M12X65	
20	KT55766000	4	DISTANCE BUSHING	
21	KT55767000	2	LOCK PLATE	
22	KG01840900	4	HEX. NUT M12 10 4032	
23	KT55403000	7	HUB FOR CONE	
24	KG00542161	2	CHEESE HEAD SCREW M5X16 8.8	
25	KT55695100	1	TOOL KIT FOR CUTTERBAR	
27	KT99457134	1	LOCTITE TUBE 3 G	
28	KT99457135	1	LOCTITE TUBE 10 G	
29	KT10105000	1	OIL CAN 5 LTR.	
30	KT55644000	14	JOURNAL	
31	KT99420238	14	OIL SEAL Ø37,1 X 1,6	
32	KT55641100	14	GEAR WHEEL Z=39	
33	KT99420125	14	OIL SEAL Ø34,2X3	
34	KT55670000	14	WASHER (DISC)	
35	KG00476261	14	HEX. SCREW M12X20 8.8	
36	KT55650000	1	LUG	
37	KT55651000	1	GASKET	
38	KT5564900061	1	COVER	

EXTRA 532 / Cutterbar, spare parts set



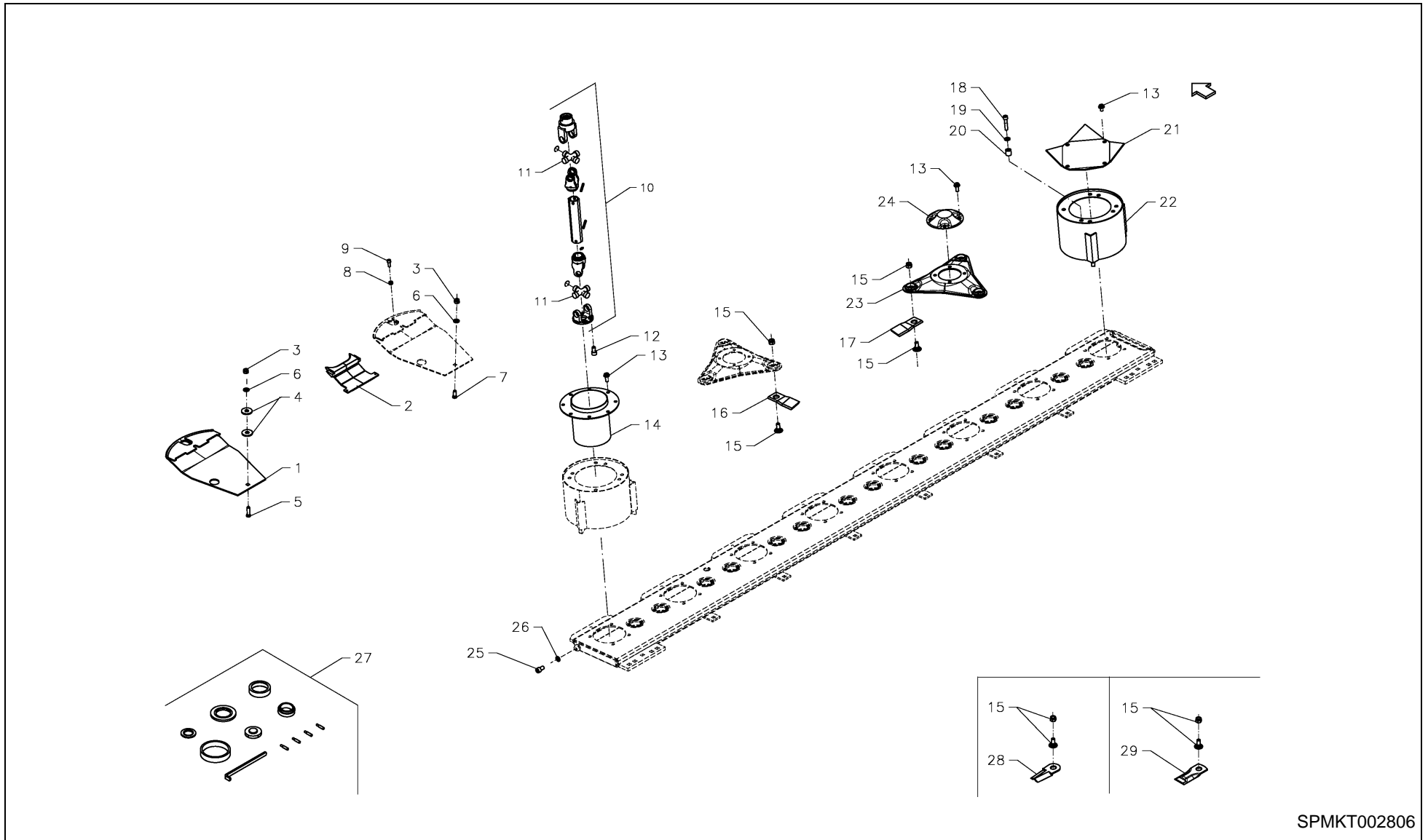
SPMKT001513



EXTRA 532 / Cutterbar, spare parts set

PosNo.	Part No.	Qty.	Description	Remark
1	KT55243300	1	CASING (2 BEARINGS) FOR CONE / PTO, COMP	
2	KT55245300	1	CASING (2 BEARINGS) FOR CONE, COMPLETE	
3	KT55710200	1	GASKET KIT	
4	KT55706100	1	SET OF BEARING	
5	KT55994000	1	KIT OF 2 BEARINGS	

EXTRA 532 / Transmission, cutterbar

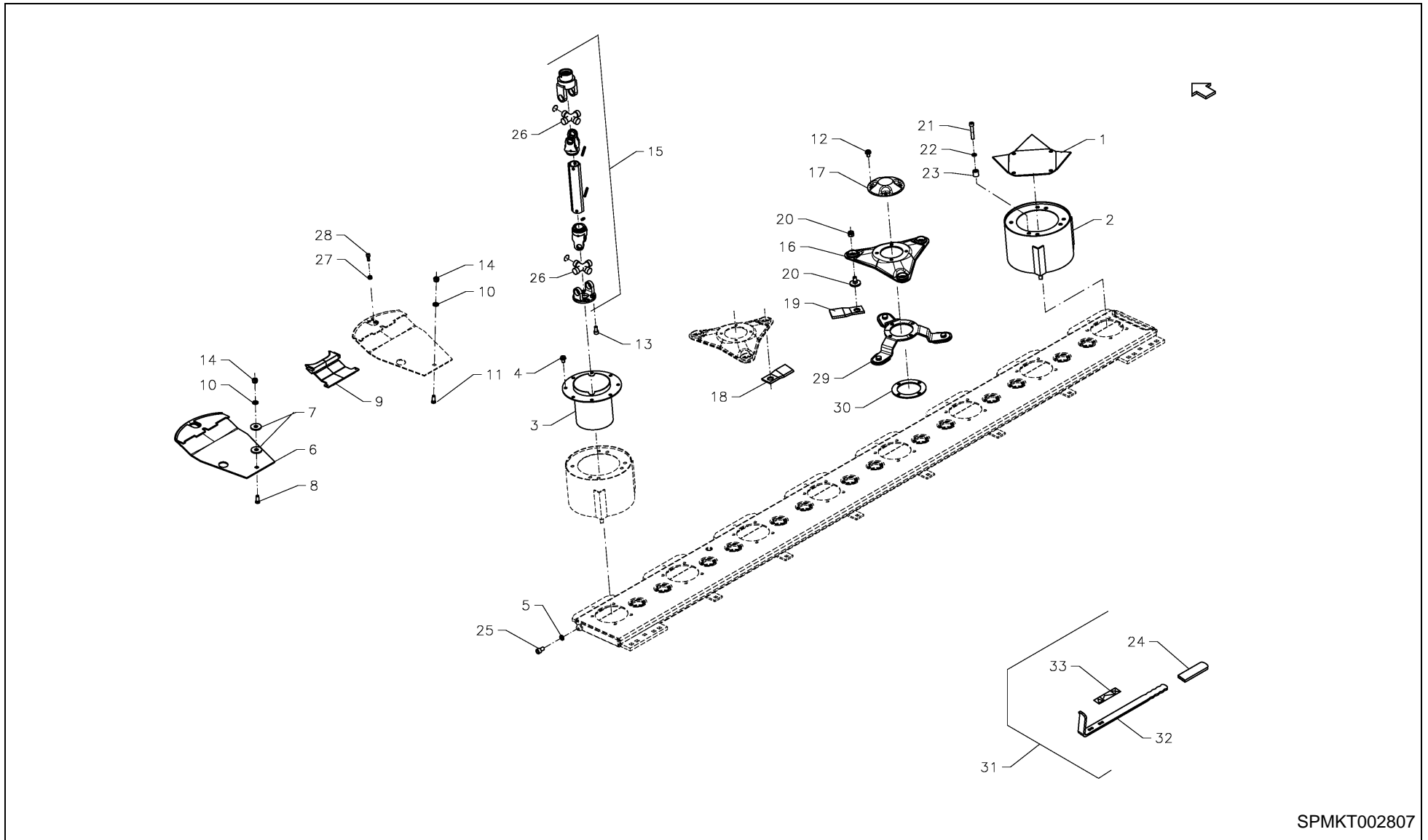




EXTRA 532 / Transmission, cutterbar

PosNo.	Part No.	Qty.	Description	Remark
1	KT5512510086	8	WEARING SOLE	
2	KT5513910086	7	COUNTER KNIFE	
3	KG01064161	8	LOCK NUT M10 8	
4	KT5627100061	4	WASHER Ø13-Ø40X4	
5	KT56149000	2	PLOUGH BOLT M10-40	
6	KG01267461	8	WASHER M10	
7	KT45429000	6	PLOUGH BOLT M10-30	
8	KG01067561	8	LOCK NUT M8 8	
9	KG00545061	8	CHEESE HEAD SCREW M8X20 8.8	
10	KT99244528	1	UNIVERSAL JOINT	
11	KT99244618	2	CROSS AND BEARING KIT	
12	KG00595400	4	CHEESE HEAD SCREW M10X16 12.9	
13	KT99308826	32	STEEL BOLT (VERBUS RIBB BOLT) M10X20	
14	KT5549700086	1	INSERT FOR CONE, HIGH	
15	KT56785000	1	KNIFE BOLT KIT CPL. (25 PCS.)	
16	KT5611040001	12	KNIFE, RH (126MM)	
17	KT5611090001	12	KNIFE, LH (126MM)	
18	KG01904300	8	CHEESE HEAD SCREW M10X50 12.9	
19	KT99333832	8	LOCK WASHER 10,3 X 16,6 NORDLOCK	
20	KT5539800061	8	BUSHING	
21	KT5698900094	1	TOP PLATE	
22	KT5514810094	2	HIGH CONE AGGRESSIV, TRIANGULAR DISC	
23	KT5513600094	8	CUTTING DISC	
24	KT5513700086	7	COVER	
25	KG00596200	2	CHEESE HEAD SCREW M12X20 12.9	
26	KT99333833	2	LOCK WASHER 13,0-19,5 NORDLOCK (NL12)	
27	KT55695100	1	TOOL KIT FOR CUTTERBAR	
28	KT5611030001	24	KNIFE (128MM)	
29	KT5611050001	24	KNIFE (131MM)	

EXTRA 532 / Transmission, cutterbar + ProFit

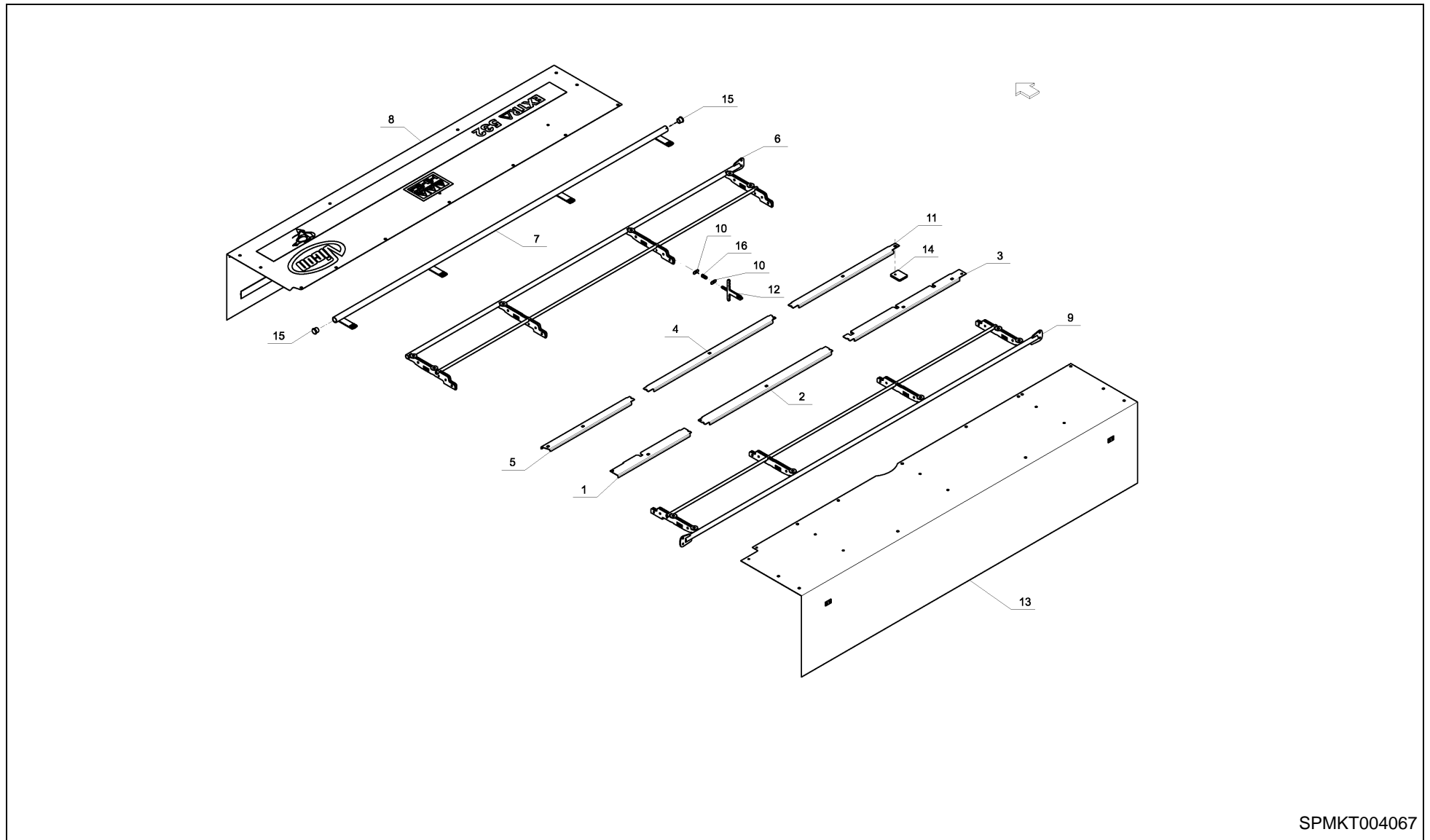


SPMKT002807



EXTRA 532 / Transmission, cutterbar + ProFit

PosNo.	Part No.	Qty.	Description	Remark
1	KT5698900094	1	TOP PLATE	
2	KT5514810094	2	HIGH CONE AGGRESSIV, TRIANGULAR DISC	
3	KT5549700086	1	INSERT FOR CONE, HIGH	
4	KT99308826	8	STEEL BOLT (VERBUS RIBB BOLT) M10X20	
5	KT99333833	2	LOCK WASHER 13,0-19,5 NORDLOCK (NL12)	
6	KT5512510086	8	WEARING SOLE	
7	KT5627100061	4	WASHER Ø13-Ø40X4	
8	KT56149000	2	PLOUGH BOLT M10-40	
9	KT5513910086	7	COUNTER KNIFE	
10	KG01267461	8	WASHER M10	
11	KT45429000	6	PLOUGH BOLT M10-30	
12	KT99308832	24	STEEL BOLT M10X35 10.9(VERBUS RIBB BOLT)	
13	KG00595400	4	CHEESE HEAD SCREW M10X16 12.9	
14	KG01064161	8	LOCK NUT M10 8	
15	KT99244528	1	UNIVERSAL JOINT	
16	KT5513600094	8	CUTTING DISC	
17	KT5513700086	6	COVER	
18	KT5611040001	12	KNIFE, RH (126MM)	
19	KT5611090001	12	KNIFE, LH (126MM)	
20	KT56998000	1	KIT OF KNIFE BOLT (25 PCS.)	
21	KG01904500	8	CHEESE HEAD SCREW M10X60 12.9	
22	KT99333832	8	LOCK WASHER 10,3 X 16,6 NORDLOCK	
23	KT5539800061	8	BUSHING	
24	KT38218000	1	PLASTIC HANDLE	
25	KG00596200	2	CHEESE HEAD SCREW M12X20 12.9	
26	KT99244618	2	CROSS AND BEARING KIT	
27	KG01067561	8	LOCK NUT M8 8	
28	KG00545061	8	CHEESE HEAD SCREW M8X20 8.8	
29	KT5518500086	8	SPRING, COMPLETE	
30	KT5526900061	8	WASHER 4MM (EXPRESS)	
31	KT55177000	1	TOOL COMPLETE	
32	KT5517400061	1	TOOL	
33	KT55769000	1	DECAL	

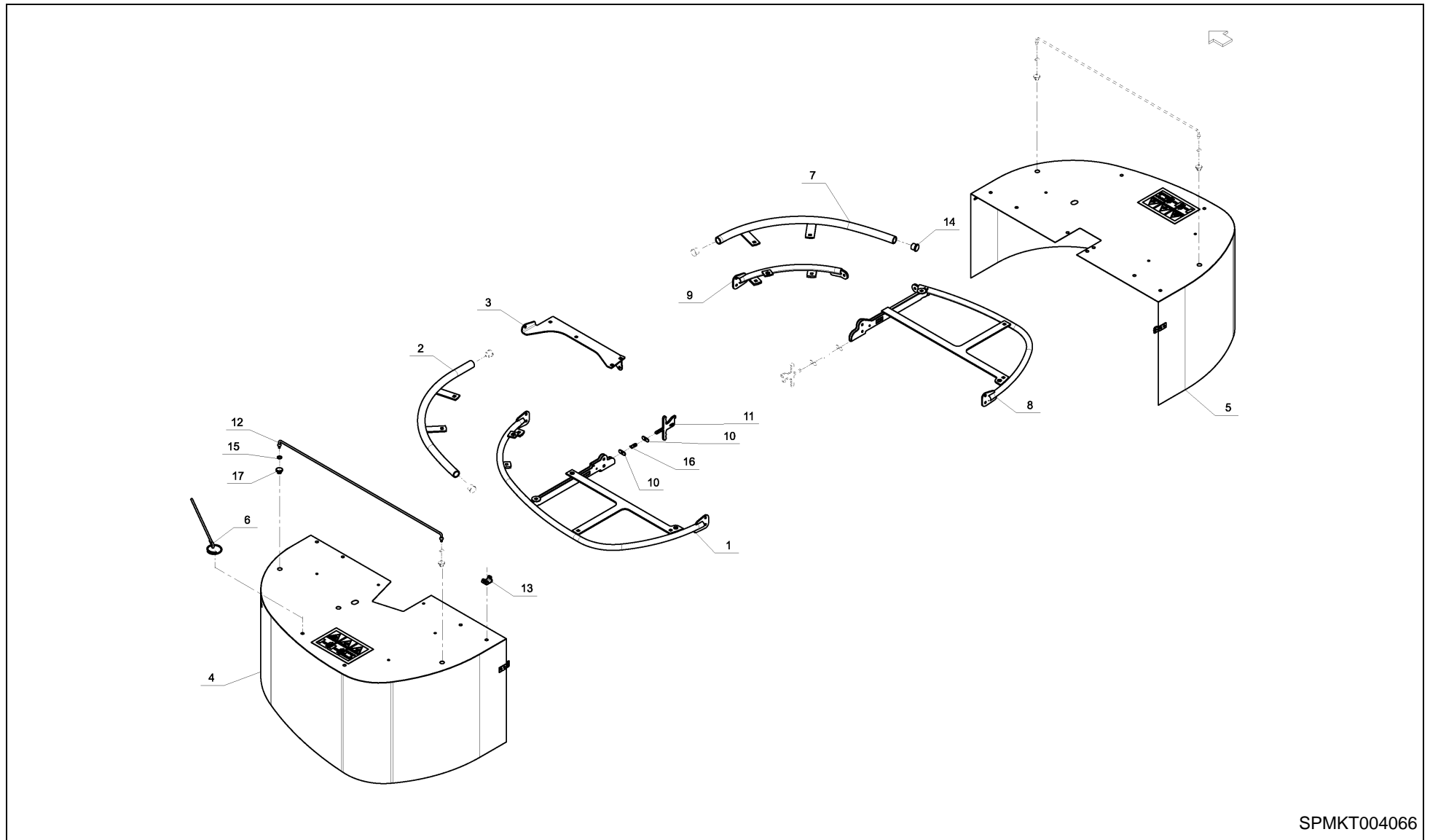


SPMKT004067

EXTRA 532 / Guard



PosNo.	Part No.	Qty.	Description	Remark
1	A132004586	1	PLATE BACK LH	
2	A132004686	1	PLATE BACK CENTER	
3	A132004786	1	PLATE BACK RH	
4	A132004886	1	PLATE FRONT CENTER	
5	A132004986	1	PLATE FRONT LH	
6	A132010986	1	FRONTGUARD 3.2M	
7	A132011694	1	RAIL FRONT	
8	A132028200	1	TARPAULIN FRONT KM 3,2 VICON	
9	KT9217410086	1	HOOP, FRONT	
10	KT9217900061	2	PLATE	
11	KT9218500086	1	PLATE, FRONT	
12	KT9232410061	1	LATCH	
13	KT92448000	1	TARPAULIN MID BACK 3,2 VICON	
14	KT9266100061	1	SPACER	
15	KT99458703	2	PLASTIC PLUG GLZ R1	
16	VF06215282	1	COMPRESSION SPRING	



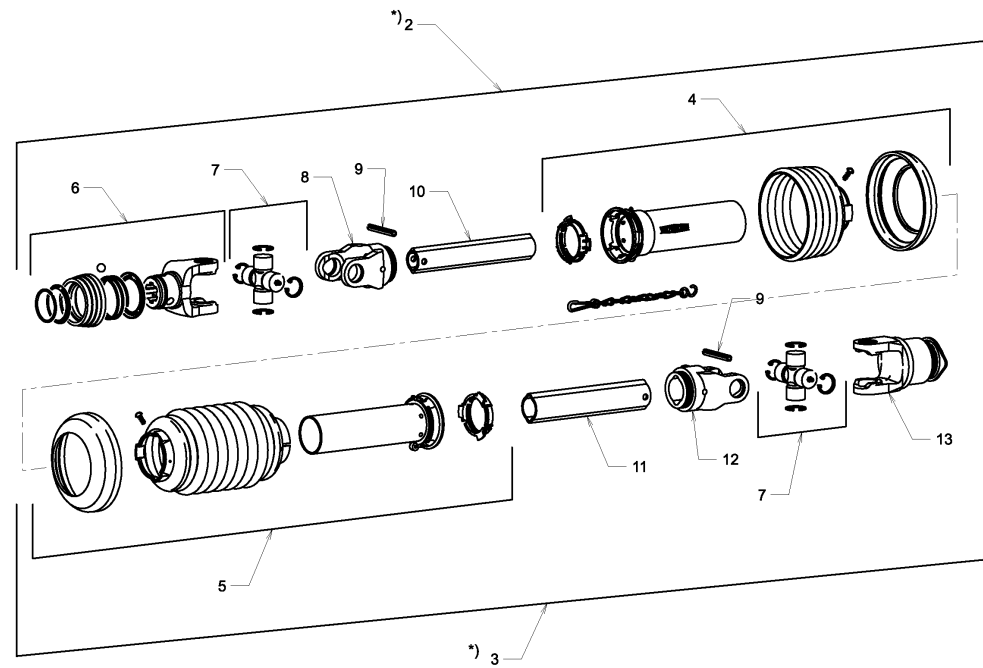
SPMKT004066

EXTRA 532 / Guard



PosNo.	Part No.	Qty.	Description	Remark
1	A132007586	1	RAIL LH	
2	A132008894	1	RAIL LH	
3	A132009186	1	ARM LH	
4	A132012700	1	TARPAULIN SIDE LH KM VICON	
5	KT92450000	1	TARPAULIN SIDE RH KM VICON	
6	A132056600	1	RUBBER CORD INCL. SPRING RING	
7	KT9215300094	1	HOOP, RH	
8	KT9215410086	1	HOOP REAR, RH	
9	KT9215510086	1	HOOP FRONT, RH	
10	KT9217900061	4	PLATE	
11	KT9218010061	2	LATCH	
12	KT92534000	2	ELASTIC STRAP	
13	KT9280300061	1	MAIN BRACKET	
14	KT99458703	4	PLASTIC PLUG GLZ R1	
15	VF06214690	4	O-RING 15X 3,0 NBR70	
16	VF06215282	2	COMPRESSION SPRING	
17	VF16622430	4	GUIDE EYE	

Complete No. 1



*)When ordering, part No. 1 must also be indicated.

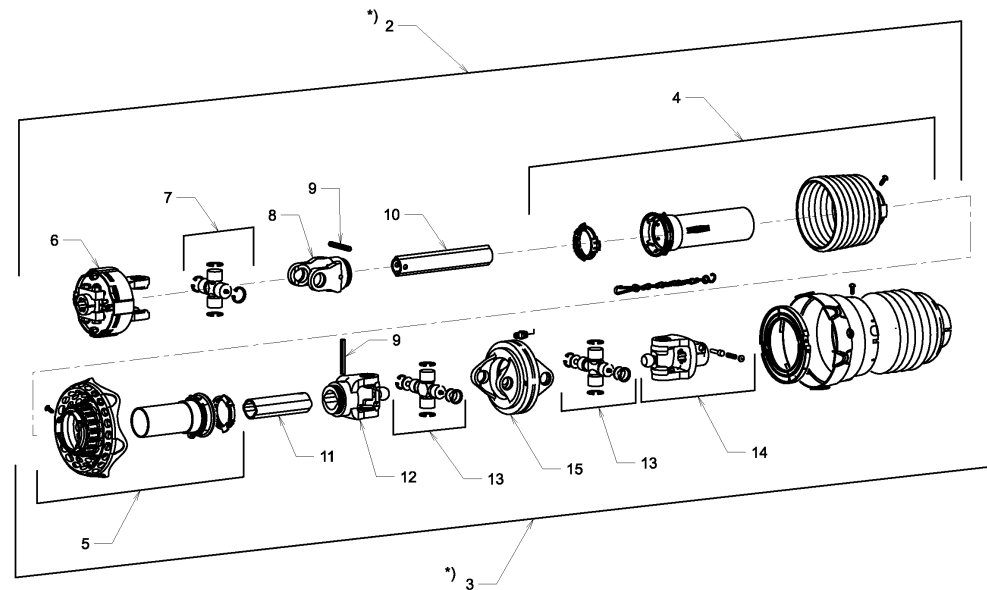
SPMKT004060



EXTRA 532 / PTO shaft

PosNo.	Part No.	Qty.	Description	Remark
1	A132000600	1	PTO DRIVE SHAFT W2300	Walterscheid No. 600825
2	A132037200	1	INNER PTO SHAFT HALF WITH OUTER GUARD	
3	A132037300	1	OUTER PTO SHAFT HALF WITH INNERR GUARD	
4	KT99244584	1	OUTER PROTECTION TUBE, COMPLETE	Walterscheid No. 116169
5	KT99244681	1	INNER PROTECTION TUBE, COMPLETE	Walterscheid No. 113041
6	KT99244586	1	YOKE, COMPLETE	Walterscheid No. 133834
7	KT99244588	2	CROSS, COMPLETE	Walterscheid No. 116403
8	KT99244524	1	PROFILE TUBE L=765 MM	Walterscheid No. 041315
9	KT99330583	2	PIPE PIN Ø10-65	
10	KT99244589	1	INNER PROFILE TUBE	Walterscheid No. 135936
11	KT99244591	1	OUTER PROFILE TUBE	Walterscheid No. 136155
12	KT99244592	1	YOKE	Walterscheid No. 041318
13	KT99244685	1	OVERRUN CLUTCH	Walterscheid No. 110776

Complete No. 1



*)When ordering, part No. 1 must also be indicated.

SPMKT004061



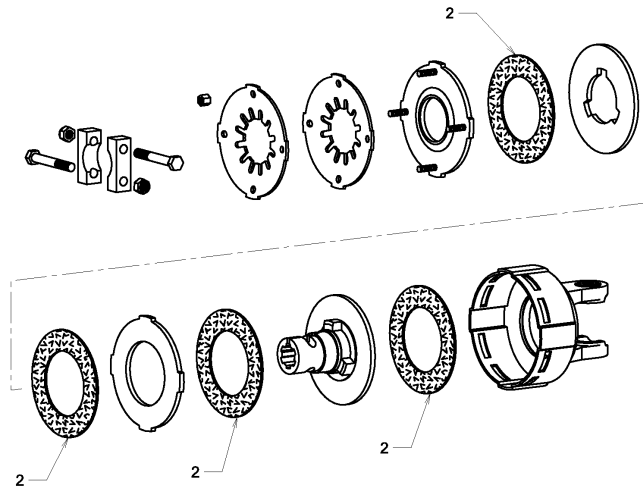
EXTRA 532 / PTO shaft

PosNo.	Part No.	Qty.	Description	Remark
1	A132000500	1	PTO DRIVE SHAFT WWE2480	Walterscheid No. 600813
2	A132037400	1	INNER PTO SHAFT HALF WITH OUTER GUARD	
3	A132037600	1	OUTER PTO SHAFT HALF WITH INNERR GUARD	
4	A132037700	1	OUTER GUARD HALF	Walterscheid No. 116697
5	KT99244478	1	INNER PROTECTION TUBE, COMPLETE	Walterscheid No. 116658
6	A132037800	1	FRICTION CLUTCH	Walterscheid No. 159337
7	KT99244480	1	CROSS CPL.	Walterscheid No. 116404
8	KT99244594	1	INBOARD YOKE	Walterscheid No. 019518
9	KG01194500	2	TENSION PIN 10X80	
10	A132037900	1	PROFILE TUBE	Walterscheid No. 135896
11	A132038000	1	PROFILE TUBE	Walterscheid No. 126477
12	A132038100	1	INBOARD YOKE	Walterscheid No. 341587
13	A132038200	2	CROSS AND BEARING KIT CPL.	Walterscheid No. 135075
14	A132103200	1	QUICK-DICSONNECT YOKE	Walterscheid No. 3415579
15	A132038300	1	DOUBLE YOKE	Walterscheid No. 367722

EXTRA 532 / Friction clutch



Complete No. 1



SPMKT004062



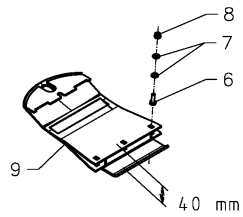
EXTRA 532 / Friction clutch

PosNo.	Part No.	Qty.	Description	Remark
1	A132037800	1	FRICTION CLUTCH	Walterscheid No. 159337
2	KT99244492	4	FRITION DISC	Walterscheid No. 168556

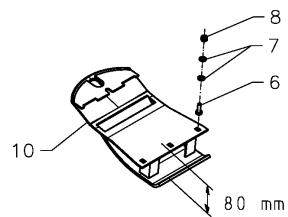
EXTRA 532 / Optional equipment



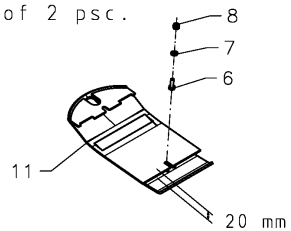
Complete No. 1
Set of 2 pcs.



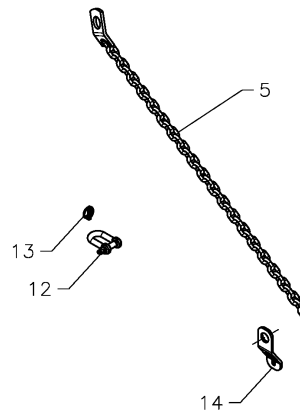
Complete No. 2
Set of 2 pcs.



Complete No. 3
Set of 2 pcs.



Complete No. 4



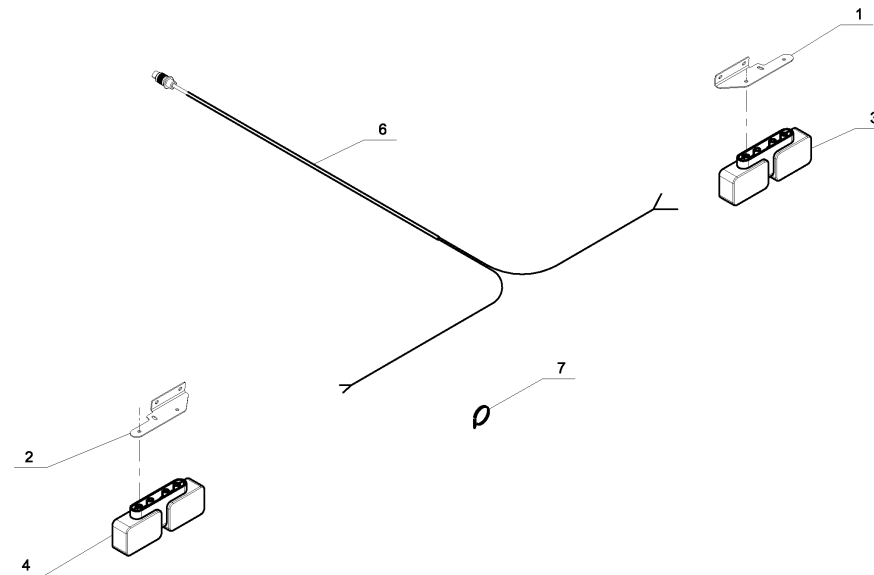
SPMKT003181



EXTRA 532 / Optional equipment

PosNo.	Part No.	Qty.	Description	Remark
1	ACCESSOIRE	1	PLEASE CONTACT YOUR DEALER	
2	ACCESSOIRE	1	PLEASE CONTACT YOUR DEALER	
3	ACCESSOIRE	1	PLEASE CONTACT YOUR DEALER	
4	ACCESSOIRE	1	PLEASE CONTACT YOUR DEALER	
5	KT6755820061	1	CHAIN	
6	KG00474361	2	HEX. SCREW M10X30 8.8	
7	KG01267461	4	WASHER M10	
8	KG01064161	2	LOCK NUT M10 8	
9	KT5524000086	2	HIGH LIFT SKID 40 MM	
10	KT5515300086	2	HIGH LIFT SKID 80 MM	
11	KT5535000086	2	HIGH LIFT SKID 20MM	
12	KT99452075	1	SHACKLE 3/4"	
13	KT42176000	1	LINCH PIN Ø10MM	
14	KT9089800061	1	BRACKET	

Complete No. 5



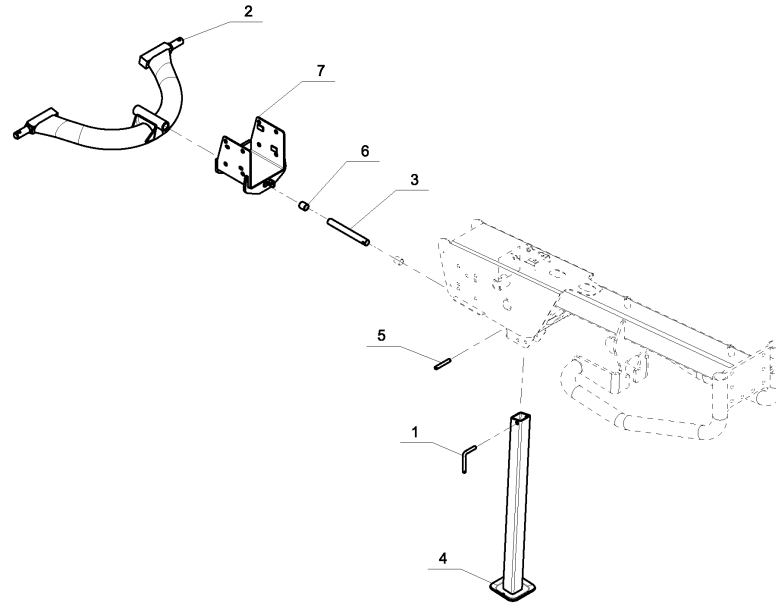
SPMKT004078



EXTRA 532 / Optional equipment

PosNo.	Part No.	Qty.	Description	Remark
1	A132015061	1	BRACKET LH	
2	A132015161	1	BRACKET RH	
3	VF16660214	1	LIGHT, REAR LH COMPLETE	
4	VF16660215	1	LIGHT, REAR RH COMPLETE	
5	ACCESSOIRE	1	PLEASE CONTACT YOUR DEALER	
6	A132014500	1	HARNESS LIGHT KIT TRAILED PLAIN	
7	KT99478389	10	CABLE TIE	

Complete No. 8



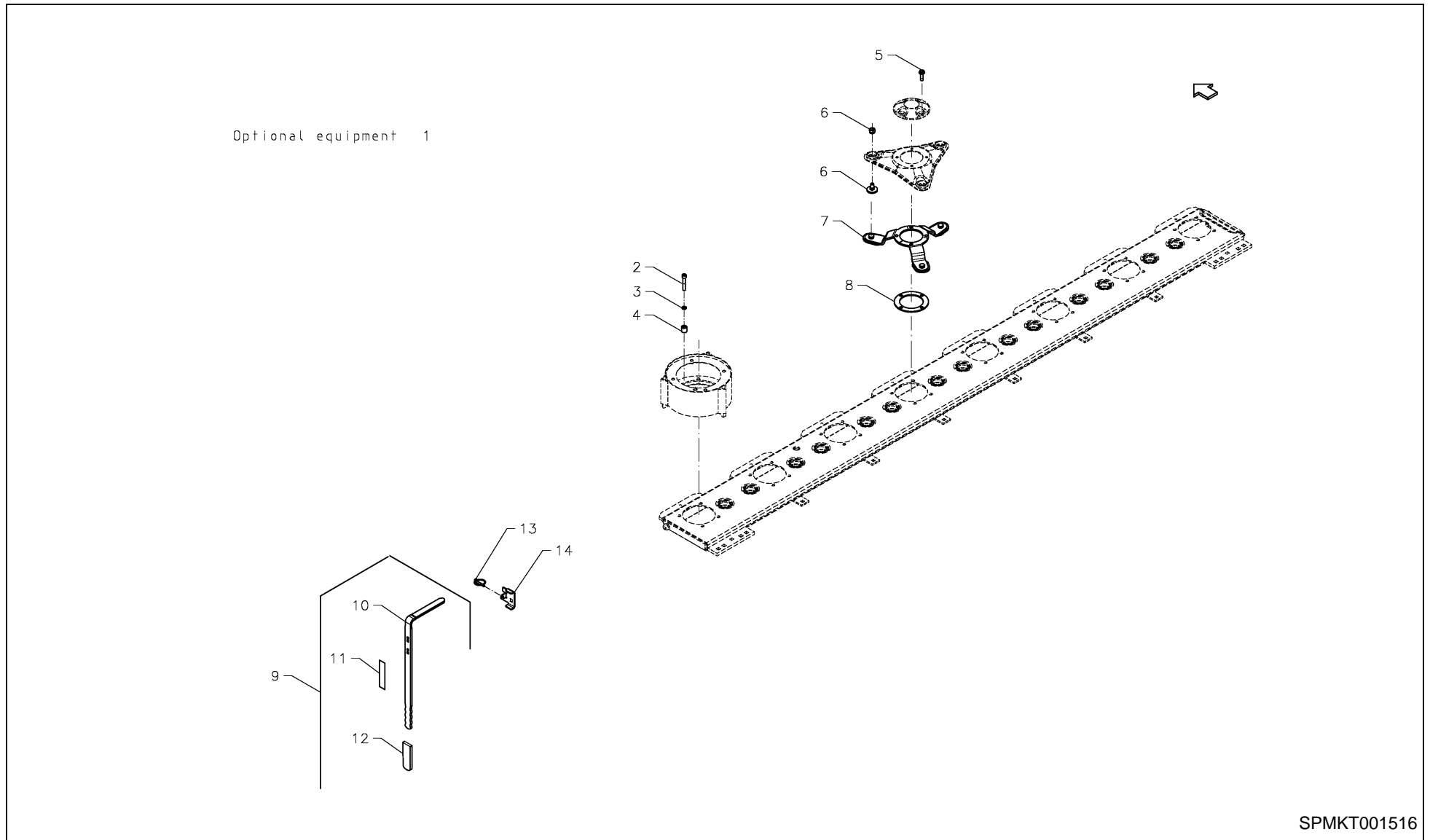
SPMKT004079



EXTRA 532 / Optional equipment

PosNo.	Part No.	Qty.	Description	Remark
1	KT3626300061	1	PIN BOLT	
2	KT3877520094	1	FORK WITH HITCH PINS	
3	KT3877610061	1	SHAFT	
4	KT3877810094	1	SUPPORT LEG	
5	KT6056800061	1	COTTER BOLT	
6	KT99158066	2	GLACIER BUSHING PM 2530 DX	
7	A132013794	1	BRACKET FOR SWIVEL GEAR	
8	ACCESSOIRE	1	PLEASE CONTACT YOUR DEALER	

EXTRA 532 / Optional equipment



SPMKT001516



EXTRA 532 / Optional equipment

PosNo.	Part No.	Qty.	Description	Remark
1	ACCESSOIRE	1	PLEASE CONTACT YOUR DEALER	
2	KG01904500	8	CHEESE HEAD SCREW M10X60 12.9	
3	KT99333832	8	LOCK WASHER 10,3 X 16,6 NORDLOCK	
4	KT5539800061	8	BUSHING	
5	KT99308832	32	STEEL BOLT M10X35 10.9(VERBUS RIBB BOLT)	
6	KT56998000	1	KIT OF KNIFE BOLT (25 PCS.)	
7	KT5518500086	8	SPRING, COMPLETE	
8	KT5526900061	8	WASHER 4MM (EXPRESS)	
9	KT55177000	1	TOOL COMPLETE	
10	KT5517400061	1	TOOL	
11	KT55769000	1	DECAL	
12	KT38218000	1	PLASTIC HANDLE	
13	KT99331901	1	LINCH PIN Ø 6	
14	KT5577300061	1	PARKING BRACKET	

EXTRA 532 / Part No Index



Part No.	Page	Pos No	Part No.	Page	Pos No	Part No.	Page	Pos No	Part No.	Page	Pos No
A13200500	14	1	A132014500	17	6	A132085200	4	7	KG00476261	7	35
A13200600	13	1	A132015061	17	1	A132085300	4	24	KG00476561	6	21
A132004586	11	1	A132015161	17	2	A132085400	4	5	KG00542161	7	24
A132004686	11	2	A132015594	1	1	A132085600	4	11	KG00545061	9	9
A132004786	11	3	A132016794	1	2	A132085700	4	12	KG00545061	10	28
A132004886	11	4	A132017386	1	3	A132085800	4	14	KG00595400	7	2
A132004986	11	5	A132017486	5	1	A132085900	4	22	KG00595400	9	12
A132005261	3	14	A132017561	2	1	A132086000	4	23	KG00595400	10	13
A132005394	3	19	A132017761	2	2	A132086100	4	25	KG00595800	4	27
A132005494	3	23	A132017861	2	3	A132098430	4	1	KG00596200	9	25
A132005561	3	3	A132020361	2	4	A132098800	2	30	KG00596200	10	25
A132005794	3	30	A132020361	5	11	A132098900	2	29	KG01052661	2	7
A132005894	3	21	A132020694	1	4	A132103200	14	14	KG01064161	9	3
A132006094	3	5	A132020986	2	5	A132143800	2	34	KG01064161	10	14
A132006194	3	1	A132021086	2	6	A132144000	2	35	KG01064161	16	8
A132006294	3	8	A132022061	5	2	A132144200	2	23	KG01064461	3	34
A132006361	3	31	A132022361	5	3	A132144300	2	21	KG01067561	9	8
A132006661	3	26	A132028200	11	8	A132144500	2	22	KG01067561	10	27
A132006761	3	24	A132037200	13	2	A132144700	2	36	KG01099300	6	17
A132007361	3	27	A132037300	13	3	A132144800	2	24	KG01109300	2	8
A132007461	3	28	A132037400	14	2	A132146930	1	20	KG01110400	3	10
A132007586	12	1	A132037600	14	3	A132149494	1	5	KG01130900	4	9
A132007694	3	25	A132037700	14	4	ACCESSOIRE	16	1	KG01130900	6	5
A132008894	12	2	A132037800	14	6	ACCESSOIRE	16	2	KG01130900	7	3
A132009186	12	3	A132037800	15	1	ACCESSOIRE	16	3	KG01194500	14	9
A132009494	3	13	A132037900	14	10	ACCESSOIRE	16	4	KG01260361	3	38
A132010986	11	6	A132038000	14	11	ACCESSOIRE	17	5	KG01267461	9	6
A132011694	11	7	A132038100	14	12	ACCESSOIRE	18	8	KG01267461	10	10
A132012700	12	4	A132038200	14	13	ACCESSOIRE	19	1	KG01267461	16	7
A132013394	3	15	A132038300	14	15	KG00362161	3	32	KG01267761	3	33
A132013461	3	11	A132039261	5	4	KG00473961	7	13	KG01309000	3	36
A132013794	18	7	A132040600	3	29	KG00474261	6	4	KG01401300	6	11
A132013994	3	18	A132056600	12	6	KG00474361	16	6	KG01799100	1	17

EXTRA 532 / Part No Index



Part No.	Page	Pos No	Part No.	Page	Pos No	Part No.	Page	Pos No	Part No.	Page	Pos No
KG01799100	4	8	KT5513910086	10	9	KT55670000	7	34	KT79459000	2	37
KG01799800	4	4	KT5514810094	9	22	KT55695100	7	25	KT9051220061	2	11
KG01799800	6	7	KT5514810094	10	2	KT55695100	9	27	KT9051410061	2	12
KG01802500	1	19	KT5515300086	16	10	KT55706100	8	4	KT9089800061	16	14
KG01840800	7	4	KT55154000	7	12	KT55710200	8	3	KT9096700061	3	35
KG01840900	7	22	KT5517400061	10	32	KT5572910061	7	5	KT9150000061	3	9
KG01904300	9	18	KT5517400061	19	10	KT55766000	7	20	KT9150100061	3	2
KG01904500	10	21	KT55177000	10	31	KT55767000	7	21	KT91617000	1	12
KG01904500	19	2	KT55177000	19	9	KT55769000	10	33	KT91617000	3	39
KT10101000	6	25	KT5518500086	10	29	KT55769000	19	11	KT91635000	6	1
KT10105000	4	31	KT5518500086	19	7	KT5577300061	19	14	KT9164900061	3	20
KT10105000	7	29	KT5521520086	7	1	KT55994000	8	5	KT9165200061	3	22
KT1955400086	5	5	KT5524000086	16	9	KT5611030001	9	28	KT91956000	6	9
KT1955510086	5	6	KT55243300	8	1	KT5611040001	9	16	KT91963000	4	19
KT28447000	3	17	KT55245300	8	2	KT5611040001	10	18	KT9215300094	12	7
KT3130700061	5	7	KT5526900061	10	30	KT5611050001	9	29	KT9215410086	12	8
KT3626300061	18	1	KT5526900061	19	8	KT5611090001	9	17	KT9215510086	12	9
KT38218000	10	24	KT5535000086	16	11	KT5611090001	10	19	KT9217410086	11	9
KT38218000	19	12	KT5539800061	9	20	KT56149000	9	5	KT9217900061	11	10
KT3877520094	18	2	KT5539800061	10	23	KT56149000	10	8	KT9217900061	12	10
KT3877610061	18	3	KT5539800061	19	4	KT56227000	2	9	KT9218010061	12	11
KT3877810094	18	4	KT55399000	7	6	KT5627100061	9	4	KT9218500086	11	11
KT42176000	16	13	KT55402000	7	18	KT5627100061	10	7	KT9218700086	5	8
KT45429000	9	7	KT55403000	7	23	KT56785000	9	15	KT9232410061	11	12
KT45429000	10	11	KT5549700086	9	14	KT5698900094	9	21	KT92448000	11	13
KT5512510086	9	1	KT5549700086	10	3	KT5698900094	10	1	KT92450000	12	5
KT5512510086	10	6	KT55640100	7	11	KT56998000	10	20	KT9247800086	2	13
KT5513000086	7	14	KT55641100	7	32	KT56998000	19	6	KT9249500086	5	9
KT5513600094	9	23	KT55644000	7	30	KT59447000	3	16	KT92534000	12	12
KT5513600094	10	16	KT55646100	7	8	KT6056800061	18	5	KT9266100061	11	14
KT5513700086	9	24	KT5564900061	7	38	KT6755820061	16	5	KT9280300061	12	13
KT5513700086	10	17	KT55650000	7	36	KT68312000	2	10	KT9291700086	2	27
KT5513910086	9	2	KT55651000	7	37	KT70122000	1	7	KT9291800086	2	26

EXTRA 532 / Part No Index



Part No.	Page	Pos No	Part No.	Page	Pos No	Part No.	Page	Pos No	Part No.	Page	Pos No
KT9296500063	2	33	KT99250557	4	15	KT99333832	19	3	VF01100600	2	31
KT9296600063	2	32	KT99250583	6	12	KT99333833	9	26	VF01139263	1	14
KT9299300086	1	8	KT99250597	4	29	KT99333833	10	5	VF06214690	12	15
KT9299400086	1	9	KT99250599	4	17	KT99350537	3	4	VF06215282	11	16
KT9310100086	5	10	KT99250946	6	15	KT99354026	7	10	VF06215282	12	16
KT99106225	6	16	KT99250982	4	20	KT99354142	6	8	VF06216716	1	13
KT99125012	3	7	KT99250982	6	13	KT99402121	2	15	VF06571364	1	16
KT99158066	18	6	KT99250989	6	22	KT99402123	2	14	VF16617538	2	18
KT99158088	1	10	KT99250998	4	30	KT99402912	2	16	VF16622430	12	17
KT99158090	3	37	KT99250999	4	18	KT99403208	2	17	VF16624749.97	5	12
KT99244478	14	5	KT99251142	4	21	KT99407410	2	19	VF16660214	17	3
KT99244480	14	7	KT99251195	4	2	KT99407540	2	20	VF16660215	17	4
KT99244485	3	40	KT99251267	6	10	KT99413163	2	28	VGBR552	1	18
KT99244492	15	2	KT99251284	4	6	KT99420109	7	7	VNB1604878	1	15
KT99244506	3	6	KT99251290	4	10	KT99420125	7	33	VNB2825493	2	25
KT99244524	13	8	KT99251290	6	2	KT99420238	7	31	VNB3287478	3	12
KT99244528	9	10	KT99251291	6	3	KT99420286	7	9			
KT99244528	10	15	KT99251294	6	19	KT99424049	4	28			
KT99244584	13	4	KT99251295	6	20	KT99424068	4	16			
KT99244586	13	6	KT99251296	6	24	KT99450758	1	11			
KT99244588	13	7	KT99251297	6	14	KT99452075	16	12			
KT99244589	13	10	KT99251298	6	23	KT99457134	7	27			
KT99244591	13	11	KT99251305	6	18	KT99457135	7	28			
KT99244592	13	12	KT99302819	7	19	KT99458109	7	16			
KT99244594	14	8	KT99307973	1	6	KT99458246	3	41			
KT99244618	9	11	KT99308826	9	13	KT99458247	3	43			
KT99244618	10	26	KT99308826	10	4	KT99458248	3	42			
KT99244681	13	5	KT99308832	10	12	KT99458590	5	13			
KT99244685	13	13	KT99308832	19	5	KT99458703	11	15			
KT99250471	4	13	KT99330583	13	9	KT99458703	12	14			
KT99250552	4	26	KT99331901	19	13	KT99462633	7	17			
KT99250556	4	3	KT99333832	9	19	KT99462718	7	15			
KT99250556	6	6	KT99333832	10	22	KT99478389	17	7			



EXTRA 532

KT447406 < Mach. ID <=

Kverneland Group Kerteminde AS
Taarupstrandvej 25
DK-5300 Kerteminde
Denmark
+45 65 19 19 00
+45 65 19 19 99

© Kverneland Group

All rights reserved. No parts of this book may be reproduced, stored in a database or retrieval system, or published in any form or in any way, electronically, mechanically, optically, by print, photo print, microfilm (including micro and macro fiche), or any other means, including all video and CD systems, without prior written permission from the publisher.

Print date: 2014-05-08

