

One Year Check



Check Name : Pendulum spreader

Date : 21.01.2019

Machine ID : _____

Hectares worked : _____

Delivery date : _____

E-mail inspector : _____

For more detailed information regarding the checkpoints below, please check the operation manual or service manual.

) A) Frame & Shielding's

) Visual inspection of the main frame (wearing / damages)

OK

N/A

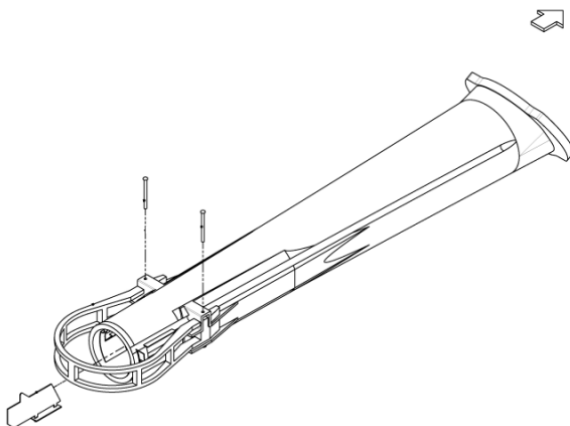
Remarks : _____

) Visual inspection of the spreading spout (wearing/damages)

OK

N/A

Remarks : _____



) Visual inspection for the hopper. (damages)

OK

N/A

) B) PTO Drive Shaft

) Inspection of PTO shaft and protection guard (wearing/damages)

OK

N/A

Remarks : _____

) C) Gearbox

) Optical check of the bearings of the spreading unite

OK

N/A

Remarks : _____

) Grease all greasing points

OK

N/A

Remarks : _____

) D) Transmission

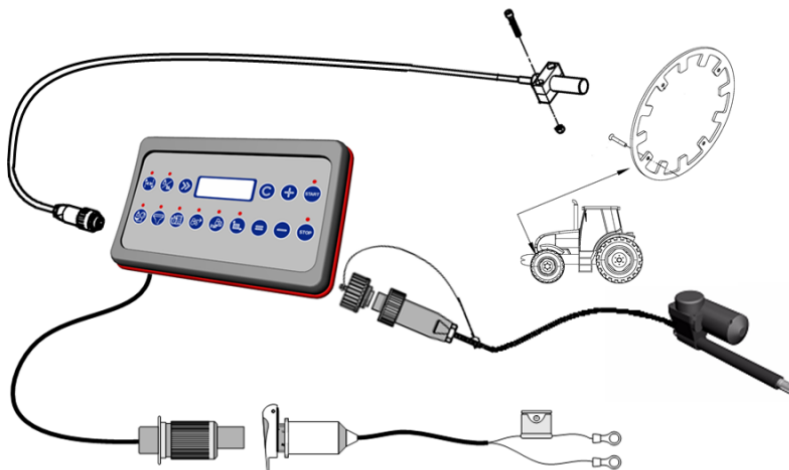
) Not relevant for this machine

OK

N/A

Remarks : _____

) Electric system (When fitted)



) Make sure that all cables are fixed an not touching rotation components

OK

N/A

Remarks : _____

) Inspection of plugs for corrosion and contamination

OK

N/A

Remarks : _____

) F) Hydraulic system (When fitted)

) Inspection for hydraulic hoses and connections for leakages

OK

N/A

Remarks : _____

) G) Suspension and Brakes

) Not relevant for this model

OK

N/A

) I) Optional Equipment

) Not relevant for this model

OK

N/A

) J) Lighting system

) Inspect the lightning equipment

OK

N/A

Remarks : _____

) K) Machine / Product

) Inspection the product of unusual noises

OK

N/A

Remarks : _____

) Inspection condition/efficiency of all safety guards/devices

OK

N/A

Remarks : _____

) L) Technical Documentation & Equipment

) not relevant

OK

N/A

) M) Miscellaneous

) Has a service/maintenance been carried out on the product?

OK

N/A

Other remarks

Minimum 2 pictures are required for the check to be approved.