

# CARRAROSPRAY



O.C.L.L.

*PARTI DI RICAMBIO  
SPARE PARTS  
PIECES DE RECHANGE*

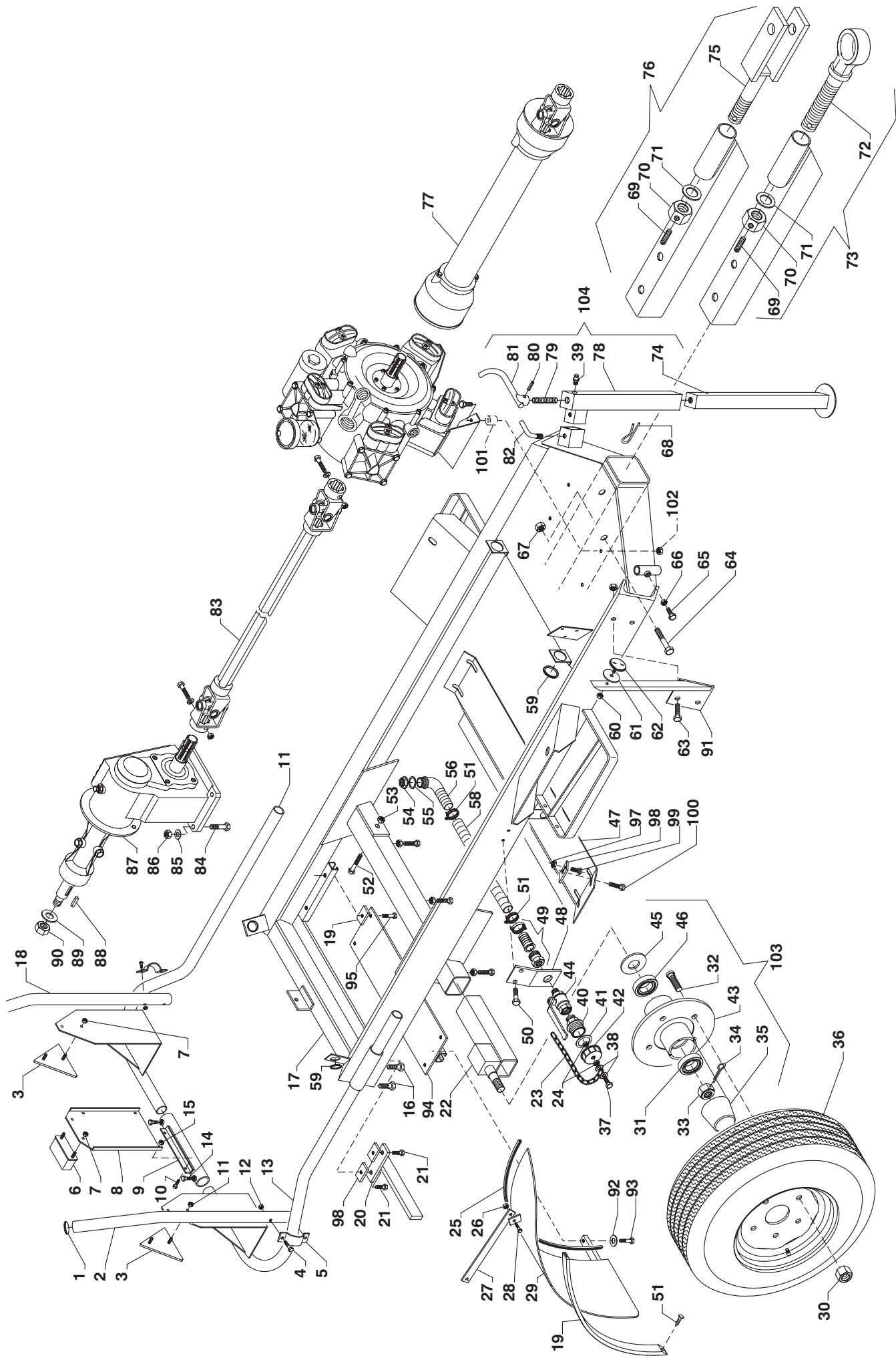


mod. ATF-ATP



N.I274/2403D  
UNI EN ISO 9001 : 2000







MOD : ATF-ATP

TAV. 06-02

20 JAN 2004

REF.	PART NR.	Q.TY	DESCRIPTION
1	1400302	2	INTERNAL PLUG FOR HOSE DIA.30 E
2	0100939	1	RH PROTECTION TUBE EUR1-ATD
3	2100149	2	CATADIOTTRO TRIANGULAR
4	1800044	4	BOLT TE M 10x50 UNI 5737-8.8 GALVANIZED
5	0100066	4	CLAMP 50
7	1800177	2	NUT M 5 UNI 5587-A2
6	2100126	1	FEU PLATE C/LIGHT
8	0101535	1	LICENSE PLATE
9	0101506	1	TUBE BUMPER ATF-NPB
10	1800279	2	BOLT TE M 6x16 GALVANIZED
11	0101534	1	LH REAR BUMPER ATP-ATD 600-800-1000
11	0101558	1	LH REAR BUMPER ATP-ATD 1500-2000
11	0101558	1	LH REAR BUMPER NTA-600-800-1000-1500-2000 P
11	0101533	1	LH REAR BUMPER NTF-600-800-1000-1500-2000 P
12	1800185	4	NUT UNI 5587 CL.8 M10 GALVANIZED WITHE
13	0101532	1	RH REAR BUMPER ATP-ATD 600-800-1000
13	0101557	1	RH REAR BUMPER ATP-ATD 1500-2000
13	0101557	1	RH REAR BUMPER NTA-600-800-1000-1500-2000
13	0101531	1	RH REAR BUMPER NTF-600-800-1000-1500-2000
14	1800085	2	BOLT TE M 12x25 UNI 5739-8.8 GALVANIZED
15	1800179	2	NUT M 6 UNI 5587-6.8 GALVANIZED
16	1800185	4	NUT UNI 5587 CL. 8 M10 GALVANIZED WHITE
17	0101257	1	FRAME AT-NT600 HOT GALVANIZED
17	0101258	1	FRAME AT-NT800 HOT GALVANIZED
17	0101006	1	FRAME AT-NT1000 HOT GALVANIZED
17	0101012	1	FRAME AT-NT1500 HOT GALVANIZED
17	0101013	1	FRAME AT-NT2000 HOT GALVANIZED
18	0101556	1	LH PROTECTION TUBE EUR1-ATD
19			
20	0100653	1	RASCHIAFANGO
21	1800036	4	BOLT TE UNI 5739 8.8 10x25 GALVANIZED
22	0101591	2	AXLE 360° (600-800)
22	0101592	2	AXLE 360° (1000)
22	0101593	2	AXLE 360° (1500-2000)
23	1400007	1	PLASTIC CHAIN D.3.5 L=300
24	1800182	2	NUT M 6 A2 UNI5587
25	2100153	1	AT-NT-600
25	2100154	1	AT-NT-800-1000
25	2100155	1	AT-NT-1500-2000
26			
27			
28			
29			
30	0101597	10	NUT HUB (600-800)
30	0101598	2	NUT HUB (1000)
30	0101599	2	NUT HUB (1500-2000)



MOD : ATF-ATP

TAV. 06-02

20 JAN 2004

REF.	PART NR.	Q.TY	DESCRIPTION
31	1000054	2	BALL BEARING (600-800)
31	1000055	2	BALL BEARING (1000)
31	1000056	2	BALL BEARING (1500-2000)
32	0101600	2	BOLT HUB (600-800-1000)
32	0101601	2	BOLT HUB (1500-2000)
33	0101602	10	NUT (600-800-1000)
33	0101603	2	NUT HUB (1500-2000)
34	1800372	1	PIN HUB
35	0100662	2	PLUG OF HUB (600-800)
35	0100668	2	PLUG OF HUB (1000)
35	0100669	2	PLUG OF HUB (1500-2000)
36	0700077	2	(600-800)
36	0700071	2	(1000)
36	0700029	2	(1000)
36	0700086	2	(1500)
36	0700065	2	(2000)
36	0700081	2	
36	0700090	2	
37	1800012	2	BOLT TE UNI 5739 A2 6x25
38	1800120	2	FLAT WASHER UNI 6592 M.8
39	1800300	1	STEEL HYDRAULIC LUBRICATOR M 6 RIGHT
40	1400232	1	NIPPLE MM 1"-1"1/4
41	1700011	1	GASKET 40x26x2
42	1400010	1	FEMALE PLUG 1"1/4
43	0101594	2	HUB (600-800)
43	0101595	2	HUB (1000)
43	0101596	2	HUB (1500-2000)
44	1300044	1	BALL VALVE EXPORT 1" A.4170
45	1100024	2	GASKET (600-800)
45	1100025	2	GASKET (1000)
45	1100026	2	GASKET (1500-2000)
46	1000052	2	BALL BEARING (600-800-1000)
46	1000053	2	BALL BEARING (1500-2000)
47	0101291	1	FRONT STEEL PLATE 600-800
47	0101290	1	FRONT STEEL PLATE 1000
47	0101292	1	FRONT STEEL PLATE 1500-200
48	0101590	1	VALVE SUPPORT AT-NT 1500-2000
49	1300097	1	CONNECTOR 3 PZ. 1"x30 A.3130
50	1800045	2	BOLT TE M 8x12 UNI 5739-8.8 GALVANIZED
51	1500005	2	CLAMP 32-52/12 HEAD 7
52			
53			
54			
55			
56			



MOD : ATF-ATP

TAV. 06-02

20 JAN 2004

REF.	PART NR.	Q.TY	DESCRIPTION
57	1500005	2	CLAMP 32-52/12 HEAD 7
58	1600041	1	HOSE (600-800)
58	1600051	1	HOSE (1000)
58	1600051	1	HOSE (1500)
58	1600051	1	HOSE (2000)
59	2900001	4	RUBBER PROTECTION D.22
60			
61			
62			
63			
64			
65			
66			
67			
68	2100026	1	NORMAL HOSE REEL 07002 MC 90/S
69			
70			
71			
72		1	EYE ATTACHMENT (600-800-1000)
72		1	EYE ATTACHMENT (1500-2000)
73		1	DRAWBAR WITH EYE ATTACHMENT (600-800)
73		1	DRAWBAR WITH EYE ATTACHMENT (1000)
73		1	DRAWBAR WITH EYE ATTACHMENT (1500-2000)
74	0100021	1	STEP
74	0101587	1	STEP 1500-2000
75		1	CLEVIS ATTACHMENT (600-800-1000)
75		1	CLEVIS ATTACHMENT (1500-2000)
76		1	DRAWBAR WITH CLEVIS ATTACHMENT (600-800-1000)
76		1	DRAWBAR WITH CLEVIS ATTACHMENT (1000)
76		1	DRAWBAR WITH CLEVIS ATTACHMENT (1500-2000)
77			
78	0100022	4	STEP BODY
78	0101588	1	BODY STEP 1500-2000
79	0100023	1	FILLET PIVOT M 22
79	0101589	1	FILETT PIVOT M 27
80	1800309	1	ELASTIC PIN 6x26 UNI 6873-C70
81	0100024	1	HANDLE
82	0100025	1	PIN D.8
83	0900045	1	ATP-ATD-ATF 600-800
83	0900103	1	ATP-ATD-ATF 1000
83	0900046	1	ATP-ATD-ATF 1500
83	0900047	1	ATP-ATD-ATF 2000
83	0900087	1	NTF-NTA 600-800
83	0900101	1	NTF-NTA 1000



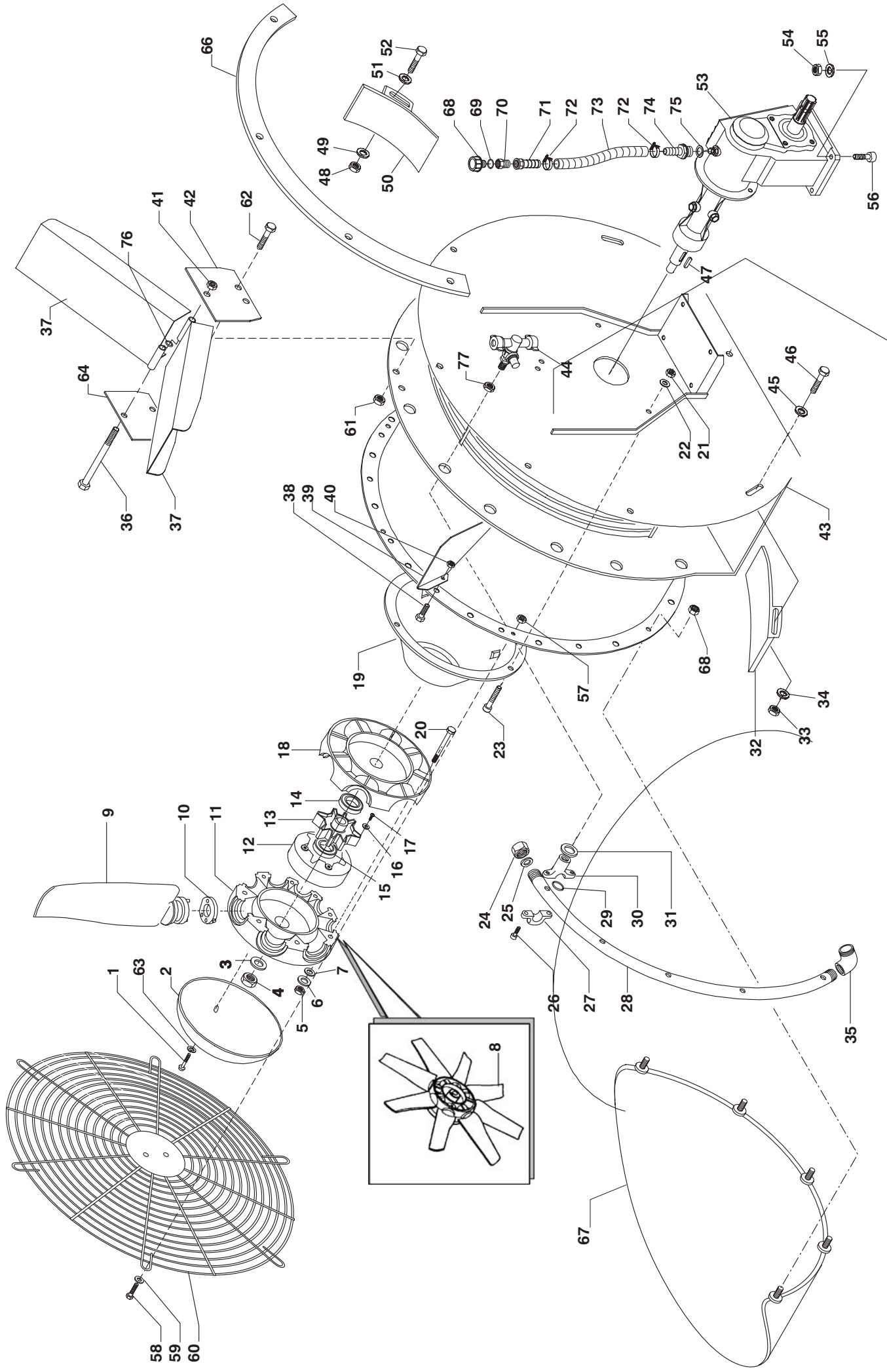
MOD : ATF-ATP

TAV. 06-02

20 JAN 2004

REF.	PART NR.	Q.TY	DESCRIPTION
83	0900088	1	NTF-NTA 1500
83	0800089	1	NTF-NTA 2000
84			
85			
86			
87	0300046	1	
87	0300181	1	
87	0300074	1	
87	0300193	1	
87	0300194	1	
87	0300072	1	
87	0300084	1	
88			
89			
90			
91			
92			
93			
94			
95			
96			
97			
98			
99			
100			
101		4	
102			
103	0101268	2	COMPLETE AXLE Q.50 L=355 (600-800)
103	0101269	2	COMPLETE AXLE Q.50 L=395 (1000)
103	0101270	2	COMPLETE AXLE Q.55 L=400 (1500-2000)
104	0100380	1	COMPLETE STEP 600-800
104	0101586	1	COMPLETE STEP 1000-1500-2000







MOD: ATF-ATP  $\phi$  700-800 mm

TAV. 08-02  
8 SEPT 2003

REF.	PART NR.	Q.TY	DESCRIPTION
1	1800146	2	BOLT TC 5X25
2	0100818	1	PVC FAN COVER DIA.330
3	0100055	1	WASHER 22X45X5
4	1800215	1	SELF LCK NUT M 22X1.5
5	1800184	10	SELF LCK NUT M 6
6	1800114	10	WASHER 6X18
7	1800111	10	WASHER 6.4X11
8	0100501	1	FAN D.800/NV 10P
9	0100620	10	BLADE NV 60A (700/8-800/10)
10	0101416	10	PVC INSERT 15°
10	0101417	10	PVC INSERT 15°
10	0101418	10	PVC INSERT 20°
10	0101419	10	PVC INSERT 25°
10	0101420	10	PVC INSERT 30°
10	0101421	10	PVC INSERT 35°
10	0101422	10	PVC INSERT 40°
10	0101423	10	PVC INSERT 45°
11	0101225	1	ORING ALL 330
12	0101088	1	RUBBER CLUTCH 330
13	0101226	1	HUB 330
14	1000046	1	BEARING
15	1000046	1	BEARING
16	1800149	8	WASHER 5 DIN 6798
17	1800148	8	BOLT TPS 5X12
18	0101225	1	ORING ALL 330
19	0100090	1	CONE M47
20	1800094	10	BOLT E M 6X25
21	1800180	3	NUT M 8
22	1800120	3	WASHER 8.4X17
23	1800021	3	BOLT TE M 8X20
24	0100097	2	PLUG
25	1700021	2	GASKET 19X4 WHITE
26	1800002	36	VITE TCEI M5X16
27	0800004	18	BUCKLE NOZZLE
28	2000030	2	SS TUBE D. 20X1,2 (7) L=950
29	1700020	18	OR DIA. 15.16X9.92X2.62
30	0800003	18	BODY NOZZLE
31	1800150	4	WASHER M14
32	0101083	1	LATERAL WING RH 800
33	1800185	2	NUT M 10
34	1800130	4	WASHER 10.5X21
35	1300001	2	BRASS CURVE MF 1/2" - 1/2"
36	1800288	1	BOLT TE M 8X110
37	0101465	2	TOP WING 800
38	1800020	12	BOLT TE M 8X16

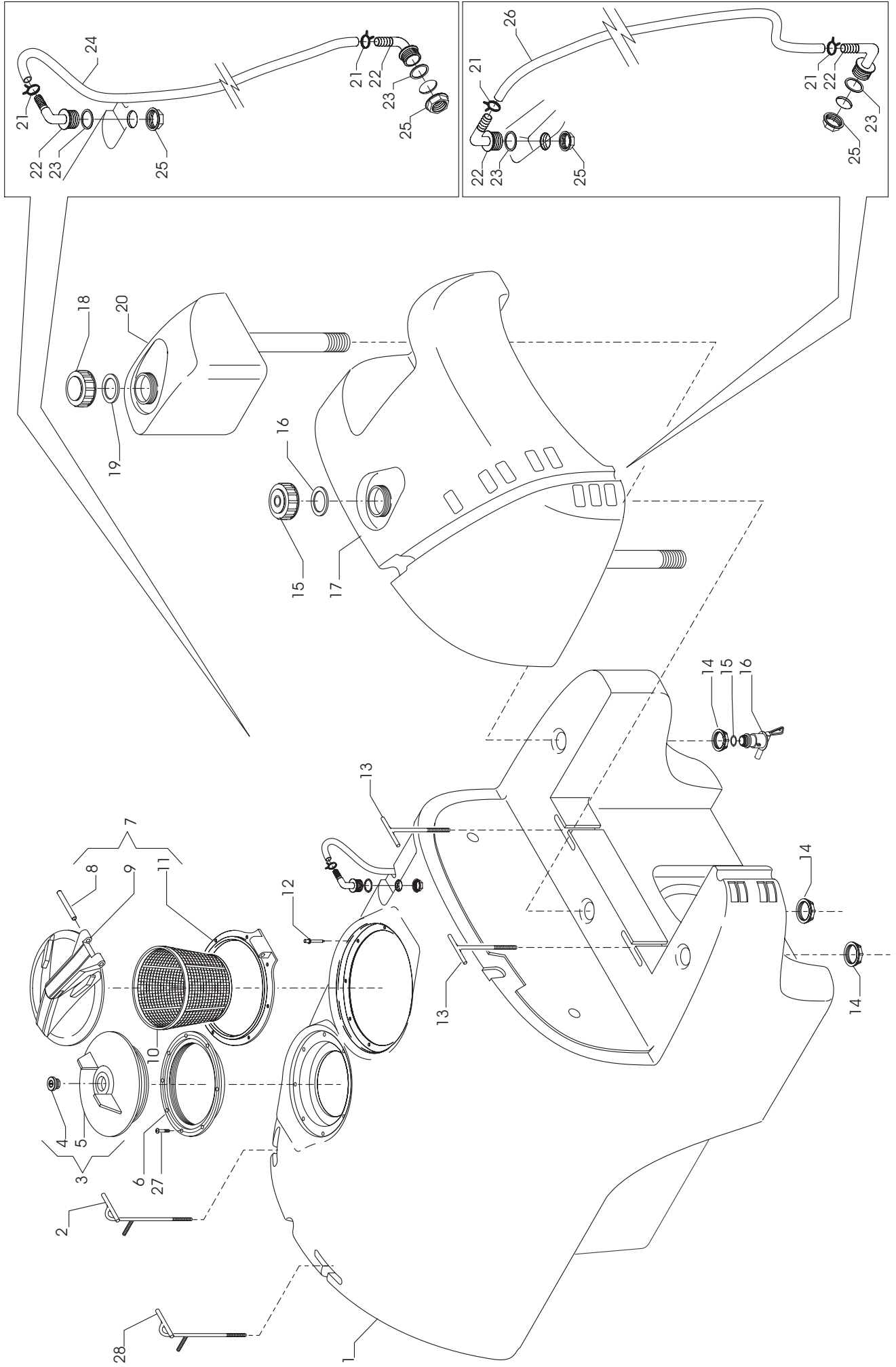


MOD: ATF-ATP  $\phi$  700-800 mm

TAV. 08-02  
8 SEPT 2003

REF.	PART NR.	Q.TY	DESCRIPTION
39	0101553	6	RH DIRECTIONAL WING
39	0101554	6	LH DIRECTIONAL WING
40	1800181	12	SELF LCK NUT M 8
41	1800181	12	SELF LCK NUT M 8
42	0101467	1	FRONT SUPPORT
43	0101008	1	FAN HOUSING-CONVEYOR AT1000Z/800
44	0800290+291+292	14	DOUBLE NOZZLE
44	0800002+296+295	14	DOUBLE NOZZLE USA VERSION
45	1800130	4	WASHER 10.5X21
46	1800036	2	BOLT TE M 10X25
47	1800424	1	KEY 10X8X40
48	1800185	2	NUT M 10
49	1800130	4	WASHER 10.5X21
50	0101084	1	LATERAL WING LH 800
51	1800130	4	WASHER 10.5X21
52	1800036	2	BOLT TE M 10X25
53	0300045	1	GEARBOX M47 1:3,6-1:4,6
54	1800191	4	SELF LCK NUT M 12
55	1800140	8	WASHER 13X24
56	1800058	4	BOLT TE M 12X60
57	1800179	18	NUT M 6
58	1800135	18	BOLT TPS M 6X20
59	1800114	6	WASHER 6X18
60	0100332	1	GRILL 810E
61	1800180	4	NUT M 8
62	1800021	4	BOLT TE M 8X20
63	1800147	2	WASHER GROWER A 5
64	0101468	1	REAR SUPPORT
65	2700030	1	COMPLETE TOP WING
66	0101575	1	STEEL PLATE ATF-ATP1500
66	0101576	1	STEEL PLATE ATF-ATP2000
67	1400247	1	TRASH SHIELD IN RUBBER
68	2100150	1	TAPPO 1/2" CON SFIATO
69	1700025	1	OR D.22.2x16.2x3
70	1300146	1	PROLUNGA CILINDRICA MF 1/2"
71	1800422	1	RACCORDO DIRITTO D.20x F 1/2
72	1400192	1	FASCETTA PERFECT 21x38
73	1500004	1	TUBO PVC 19x26 20 BAR L=400
74	1400123	1	RACCORDO D.20 1/2
75	1700001	1	GUARNIZIONE PIANA 33x21x2 PTO1470
76	1800123	1	WASHER GROWER 8.4X14.4



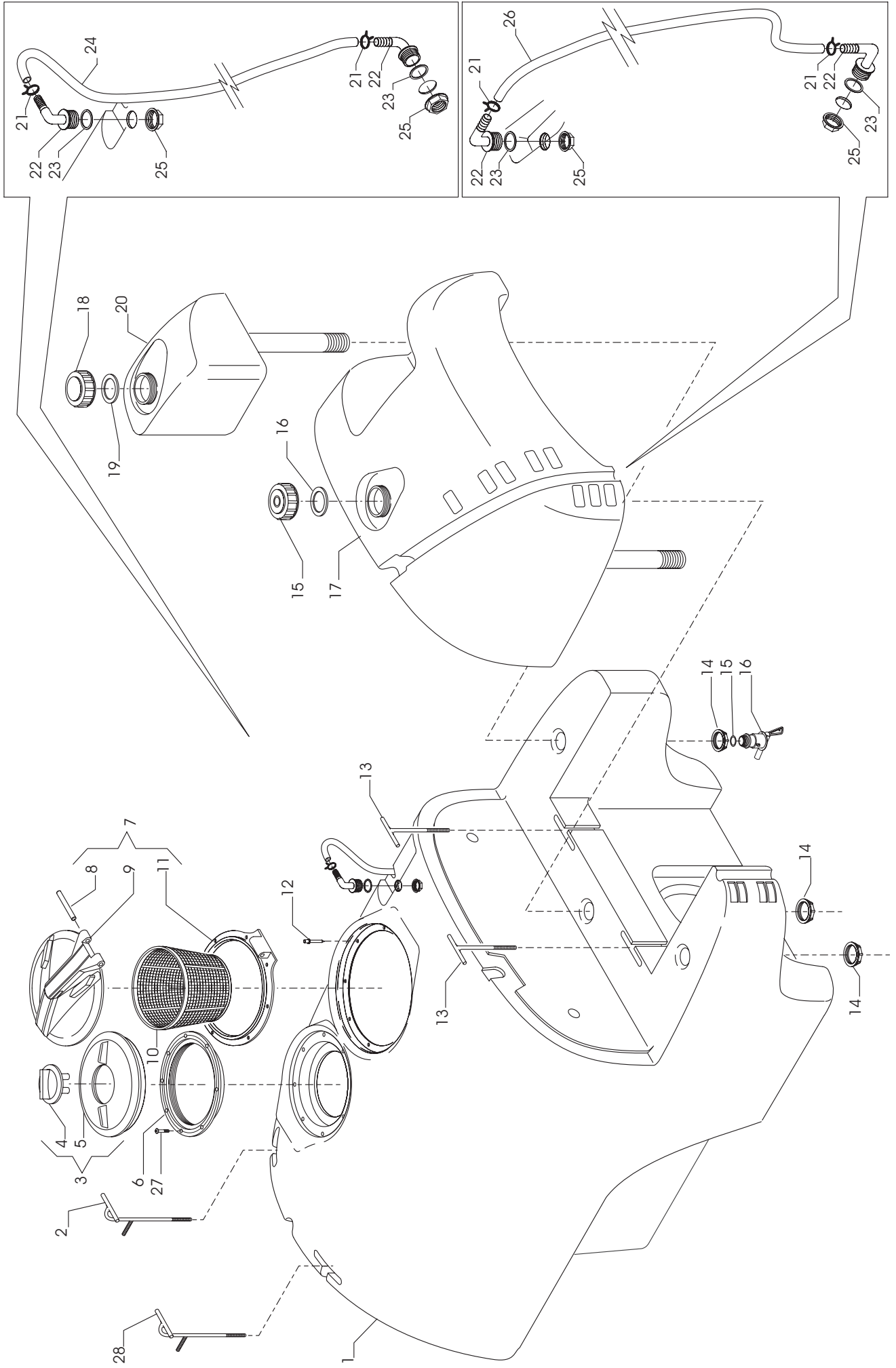




**MOD: ATF-ATP600-800**  
**POLYETHYLENE TANK**  
**GEORGIA 600-800**

TAV. 02-04  
 14 JAN 2004

REF.	PART NR.	Q.TY	DESCRIPTION
1	0600204	1	POLY TANK 600 LT. GEORGIA PE600A
1	0600205	1	POLY TANK 800 LT. GEORGIA PE800A
2	0101547	1	T BOLT RH M12 600
2	0101539	1	T BOLT RH M12 800
3	0600020	1	COMPLETE TANK COVER
4	0600007	1	AIR COVER
5	0600020	1	TANK COVER
7	1400213	1	COMPLETE TANK COVER
6	0600014	1	THREADED ORING
8	356060.040	1	PIN
9	1400213	1	TANK COVER
10	0600023	1	STRAINER
11	356060.020	1	ORING TANK COVER
12	1400213	1	COMPLETE TANK COVER
13	1800085	2	T BOLT M 12 600
13	1800085	2	T BOLT M 12 800
14	1400020	3	RING NUT 1" 1/2
15	1700011	1	GASKET FOR FRESH WATER TANK
16	0600175	1	PLUG WITH GASKET FOR FRESH WATER TANK
17	0600209	1	FRESH WATER TANK FOR CHEMICAL RESIDUS 600
17	0600210	1	FRESH WATER TANK FOR CHEMICAL RESIDUS 800
18	0600174	1	PLUG WITH GASKET FOR HAND WASHING TANK
19	1700065	1	GASKET FOR HAND WASHING TANK
20	0600214	1	CLEAN WATER TANK FOR HAND WASHING 600-800
21	0600051	4	STRAP RING
22	1400130	4	CURVE COINNECTOR D. 13 -1/2"
23	1700001	4	GASKET 33X21X2
24	0600065	2	HOSE CRISTALLO RETINATO 12X17 L=680 (600)
24	0600467	2	HOSE CRISTALLO RETINATO 12X17 L=820 (800)
25	1400001	4	RING NUT 1/2"
26	0600064	1	HOSE CRISTALLO RETINATO 12X17 L=730 (600)
26	0600139	1	HOSE CRISTALLO RETINATO 12X17 L=860 (800)
27	1800350	1	RIVET 2.9X9 ALLUMINIUM
28	0101538	1	T BOLT LH M12 600
28	0101540	1	T BOLT LH M12 800



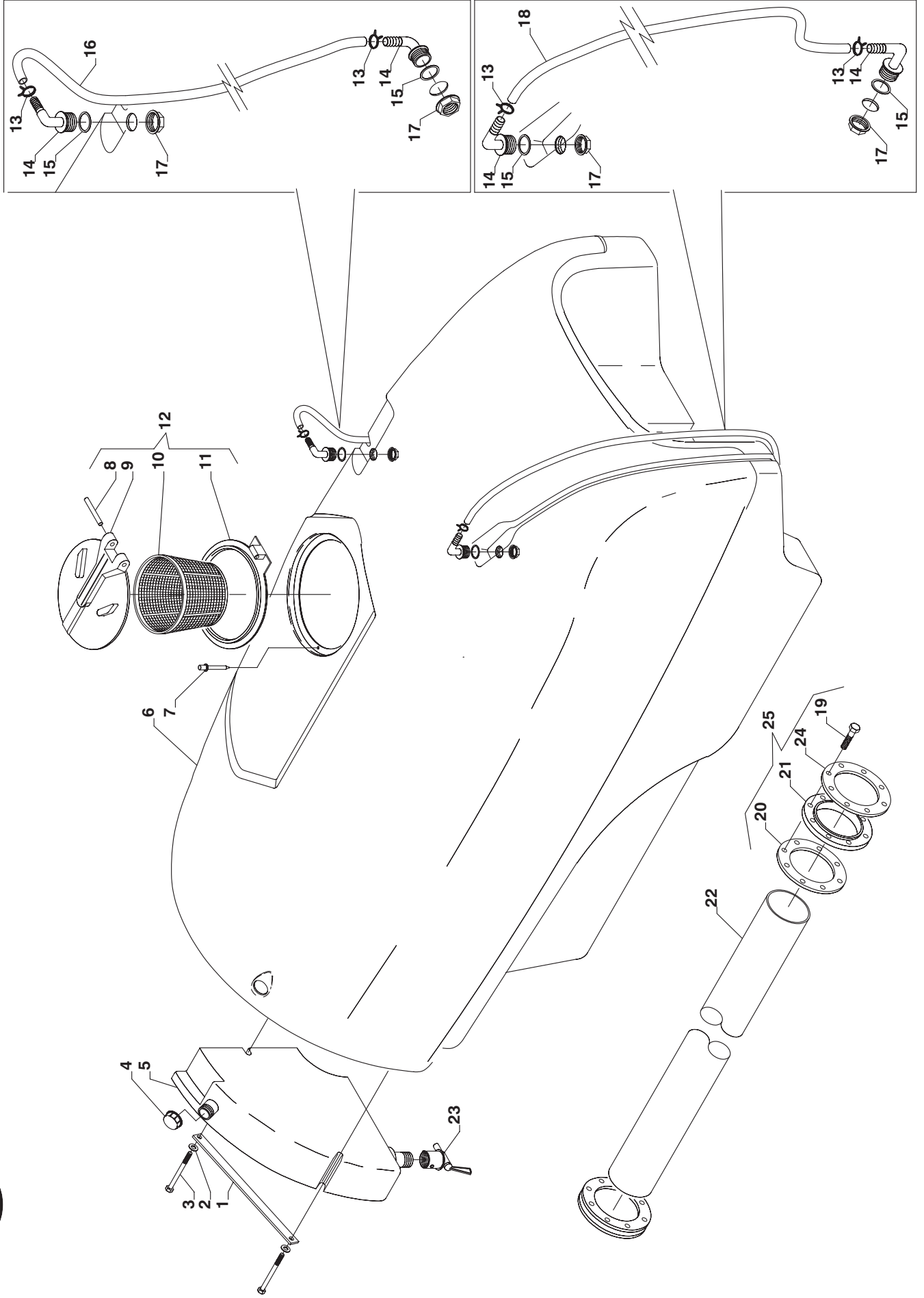


MOD: **ATF-ATP1000-1500-2000**  
 POLYETHYLENE TANK  
 GEORGIA 1000-1500-2000

TAV. 26-03

14 JAN 2004

REF.	PART NR.	Q.TY	DESCRIPTION
1	0600206	1	POLY TANK 1000 LT. GEORGIA PE1000
1	0600207	1	POLY TANK 1500 LT. GEORGIA PE1500
1	0600208	1	POLY TANK 2000 LT. GEORGIA PE2000
2	0101541	1	T BOLT RH M12 1000
2	0101543	1	T BOLT RH M12 1500
2	0101545	1	T BOLT RH M12 2000
3	0600020	1	COMPLETE TANK COVER
4	0600007	1	INSPECTION COVER
5	0600020	1	TANK COVER
7	1400213	1	COMPLETE TANK COVER
6	0600014	1	THREADED ORING
8	356060.040	1	PIN
9	1400213	1	TANK COVER
10	0600023	1	STRAINER
11	356060.020	1	ORING TANK COVER
12	1400213	1	COMPLETE TANK COVER
13	1800085	2	T BOLT M 12 1000
13	1800085	2	T BOLT M 12 1500
13	1800085	2	T BOLT M 12 2000
14	1400020	3	RING NUT 1" 1/2
15	1700011	1	GASKET FOR FRESH WATER TANK
16	0600175	1	PLUG WITH GASKET FOR FRESH WATER TANK
17	0600211	1	FRESH WATER TANK FOR CHEMICAL RESIDUS 1000
17	0600212	1	FRESH WATER TANK FOR CHEMICAL RESIDUS 1500
17	0600213	1	FRESH WATER TANK FOR CHEMICAL RESIDUS 2000
18	0600174	1	PLUG WITH GASKET FOR HAND WASHING TANK
19	1700065	1	GASKET FOR HAND WASHING TANK
20	0600214	1	CLEAN WATER TANK FOR HAND WASHING 1000-1500-2000
21	0600051	4	STRAP RING
22	1400130	4	CURVE COINNECTOR D. 13 -1/2"
23	1700001	4	GASKET 33X21X2
24	0600055	2	HOSE CRISTALLO RETINATO 12X17 L=760 (1000)
24	0600139	2	HOSE CRISTALLO RETINATO 12X17 L=860 (1500)
24	0600207	2	HOSE CRISTALLO RETINATO 12X17 L=1000 (2000)
25	1400001	4	RING NUT 1/2"
26	0600139	1	HOSE CRISTALLO RETINATO 12X17 L=860 (1000)
26	0600207	1	HOSE CRISTALLO RETINATO 12X17 L=1000 (1500)
26	0600207	1	HOSE CRISTALLO RETINATO 12X17 L=1000 (2000)
27	1800350	1	RIVET 2.9X9 ALLUMINIUM
28	0101542	1	T BOLT LH M12 1000
28	0101544	1	T BOLT LH M12 1500
28	0101548	1	T BOLT LH M12 2000



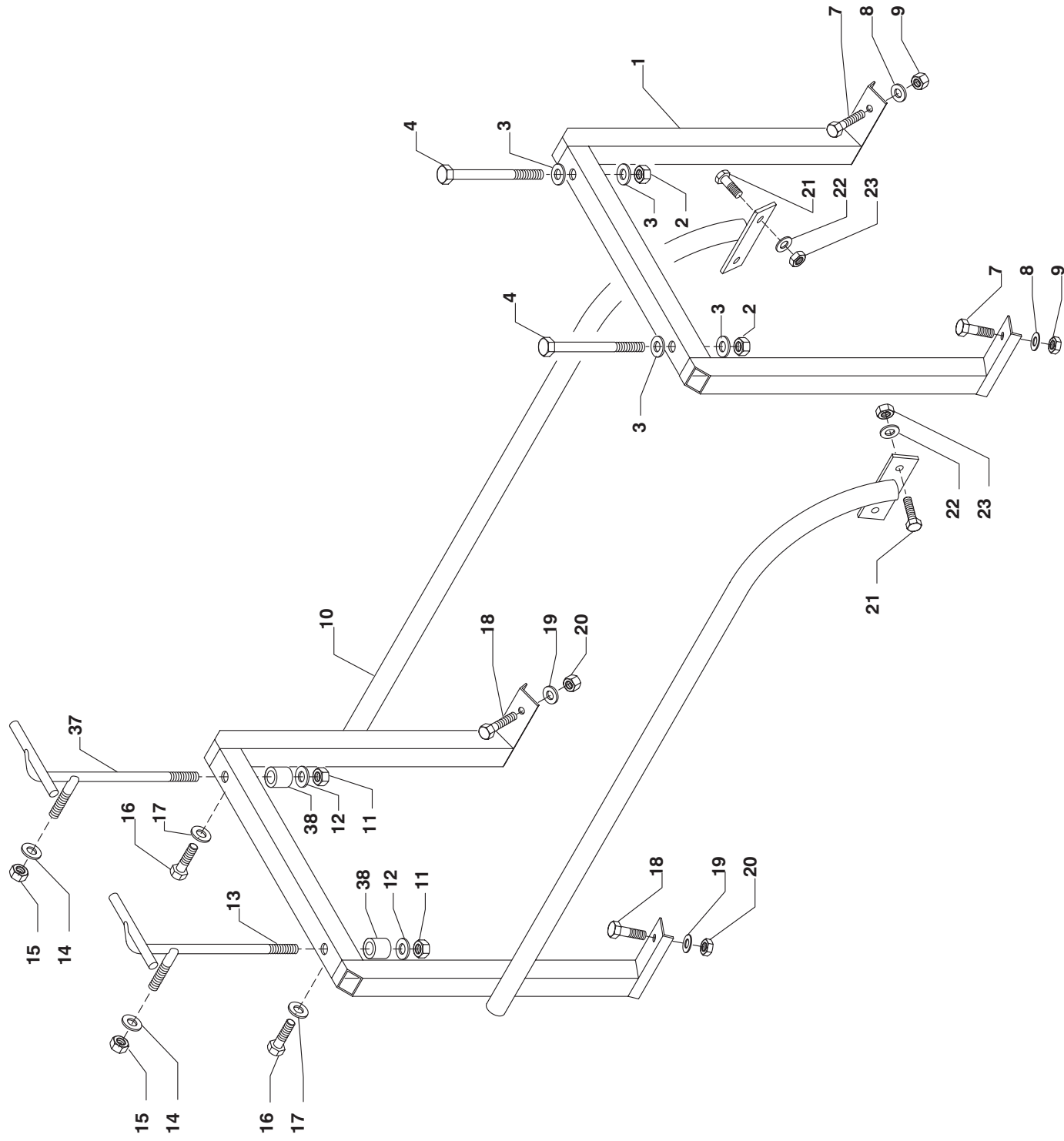


MOD : ATF-ATP

TAV. 01-97

16 SEPT 2003

REF.	PART NR.	Q.TY	DESCRIPTION
1	0600141	1	STEEL PLATE
2	1800131	2	WASHER 11X30
3	1800153	2	BOLT TE M 10X150
4	0600142	1	PLUG
5	0600143	1	TANK WATER
6	0600116	1	FIBERGLASS TANK 600 LT. GEORGIA 600
6	0600117	1	FIBERGLASS TANK 800 LT. GEORGIA 800
6	0600111	1	FIBERGLASS TANK 1000 LT. GEORGIA 1000
6	0600118	1	FIBERGLASS TANK 1200 LT. GEORGIA 1200
6	0600119	1	FIBERGLASS TANK 1500 LT. GEORGIA 1500
6	0600120	1	FIBERGLASS TANK 2000 LT. GEORGIA 2000
7	1800351	6	STRAP RIVET D. 5X20
8	356060.040	1	PIN
9	1400213	1	TANK COVER
10	0600023	1	STRAINER
11	356060.020	1	ORING TANK COVER
12	1400213	1	COMPLETE TANK COVER
13	0600051	4	STRAP RING
14	1400130	4	CURVE CONNECTOR D. 13-1/2"
15	1700001	4	GASKET 33X21X2
16	0600065	2	HOSE CRISTALLO RETINATO 12X17 L=680 (600)
16	0600467	2	HOSE CRISTALLO RETINATO 12X17 L=820 (800)
16	0600055	2	HOSE CRISTALLO RETINATO 12X17 L=760 (1000)
16	0600052	2	HOSE CRISTALLO RETINATO 12X17 L=780 (1200)
16	0600139	2	HOSE CRISTALLO RETINATO 12X17 L=860 (1500)
16	0600207	2	HOSE CRISTALLO RETINATO 12X17 L=1000 (2000)
17	1400001	4	RING NUT 1/2"
18	0600064	1	HOSE CRISTALLO RETINATO 12X17 L=730 (600)
18	0600139	1	HOSE CRISTALLO RETINATO 12X17 L=860 (800)
18	0600139	1	HOSE CRISTALLO RETINATO 12X17 L=860 (1000)
18	0600139	1	HOSE CRISTALLO RETINATO 12X17 L=860 (1200)
18	0600207	1	HOSE CRISTALLO RETINATO 12X17 L=1000 (1500)
18	0600207	1	HOSE CRISTALLO RETINATO 12X17 L=1000 (2000)
19	1800154	12	SS BOLT TE M 8X35
20	0600009	2	THREADED FLANGE D. 160
21	0600003	2	GASKET D. 160
22	0600200	1	TANK TUBE D. 160 L=1300 (ATF-NTF600-800)
22	0600201	1	TANK TUBE D. 160 L=1750 (ATF-NTF1000-1200)
22	0600202	1	TANK TUBE D. 160 L=1750 (ATF-NTF1500)
22	0600203	1	TANK TUBE D. 160 L=1750 (ATF-NTF2000)
23	0600145	1	COCK VALVE
24	0600010	2	FLANGE D. 160
25	0600011	2	COMPLETE FLANGE D. 160





MOD: ATF-ATP600

POLYETHYLENE TANK

TAV. 12-02  
19 SEPT 2003

REF.	PART NR.	Q.TY	DESCRIPTION
1	0101521	1	FRONT SUPPORT ATD-ATP600
2	1800191	2	SELF LCK NUT M 12
3	0100685	2	WASHER D. 13X35X4
4	1800088	2	BOLT TE M 12X120
7	1800249	4	BOLT TE M 10X30
8	1800130	4	WASHER D. 10.5X21
9	1800186	4	SELF LCK NUT M 10
10	0101526	1	SUPPORT TANK ATD-ATP600
11	1800191	2	SELF LCK NUT M 12
12	0100685	2	WASHER D. 13X35X4
13	0101547	2	T BOLT RH M12 600
14	1800130	2	WASHER 10.5X21
15	1800186	2	SELF LCK NUT M 10
16	1800249	2	BOLT TE M 10X30
17	1800130	2	WASHER D. 10.5X21
18	1800249	4	BOLT TE M 10X30
19	1800130	4	WASHER D. 10.5X21
20	1800186	4	SELF LCK NUT M 10
21	1800249	4	BOLT TE M 10X30
22	1800130	4	WASHER D. 10.5X21
23	1800186	4	SELF LCK NUT M 10
37	0101538	1	T BOLT LH M12 600



MOD: ATF-ATP800

POLYETHYLENE TANK

TAV. 12-02  
19 SEPT 2003

REF.	PART NR.	Q.TY	DESCRIPTION
1	0101522	1	FRONT SUPPORT ATD-ATP800
2	1800194	2	SELF LCK NUT M 14
3	0100685	4	WASHER D. 14X36X4
4	1800448	2	BOLT TE M 14X140
7	1800249	4	BOLT TE M 10X30
8	1800130	4	WASHER D. 10.5X21
9	1800186	4	SELF LCK NUT M 10
10	0101527	1	SUPPORT TANK ATD-ATP800
11	1800191	2	SELF LCK NUT M 12
12	0100685	2	WASHER D. 13X35X4
13	0101539	2	T BOLT RH M12 800
14	1800130	2	WASHER 10.5X21
15	1800186	2	SELF LCK NUT M 10
16	1800249	2	BOLT TE M 10X30
17	1800130	2	WASHER D. 10.5X21
18	1800249	4	BOLT TE M 10X30
19	1800130	4	WASHER D. 10.5X21
20	1800186	4	SELF LCK NUT M 10
21	1800249	4	BOLT TE M 10X30
22	1800130	4	WASHER D. 10.5X21
23	1800186	4	SELF LCK NUT M 10
37	0101540	1	T BOLT LH M 12 800



MOD: ATF-ATP1000

POLYETHYLENE TANK

TAV. 12-02  
19 SEPT 2003

REF.	PART NR.	Q.TY	DESCRIPTION
1	0101523	1	FRONT SUPPORT ATD-ATP1000
2	1800194	2	SELF LCK NUT M 14
3	0100685	4	WASHER D. 14X36X4
4	1800448	2	BOLT TE M 14X140
7	1800249	4	BOLT TE M 10X30
8	1800130	4	WASHER D. 10.5X21
9	1800186	4	SELF LCK NUT M 10
10	0101528	1	SUPPORT TANK ATD-ATP1000
11	1800191	2	SELF LCK NUT M 12
12	0100685	2	WASHER D. 13X35X4
13	0101541	2	T BOLT RH M12 1000
14	1800130	2	WASHER 10.5X21
15	1800186	2	SELF LCK NUT M 10
16	1800249	2	BOLT TE M 10X30
17	1800130	2	WASHER D. 10.5X21
18	1800249	4	BOLT TE M 10X30
19	1800130	4	WASHER D. 10.5X21
20	1800186	4	SELF LCK NUT M 10
21	1800249	4	BOLT TE M 10X30
22	1800130	4	WASHER D. 10.5X21
23	1800186	4	SELF LCK NUT M 10
37	0101542	1	T BOLT LH M12 1000



MOD: ATF-ATP1500

POLYETHYLENE TANK

TAV. 12-02  
19 SEPT 2003

REF.	PART NR.	Q.TY	DESCRIPTION
1	0101524	1	FRONT SUPPORT ATD-ATP1500
2	1800191	2	SELF LCK NUT M 12
3	0100685	2	WASHER D. 13X36X4
4	0101547	2	T BOLT TE M 12 1500-2000
7	1800249	4	BOLT TE M 10X30
8	1800130	4	WASHER D. 10.5X21
9	1800186	4	SELF LCK NUT M 10
10	0101529	1	SUPPORT TANK ATD-ATP1500
11	1800191	2	SELF LCK NUT M 12
12	0100685	2	WASHER D. 13X35X4
13	0101543	2	T BOLT RH M12 1500
14	1800130	2	WASHER 10.5X21
15	1800186	2	SELF LCK NUT M 10
16	1800249	2	BOLT TE M 10X30
17	1800130	2	WASHER D. 10.5X21
18	1800249	4	BOLT TE M 10X30
19	1800130	4	WASHER D. 10.5X21
20	1800186	4	SELF LCK NUT M 10
21	1800249	4	BOLT TE M 10X30
22	1800130	4	WASHER D. 10.5X21
23	1800186	4	SELF LCK NUT M 10
37	0101544	1	T BOLT LH M12 1500

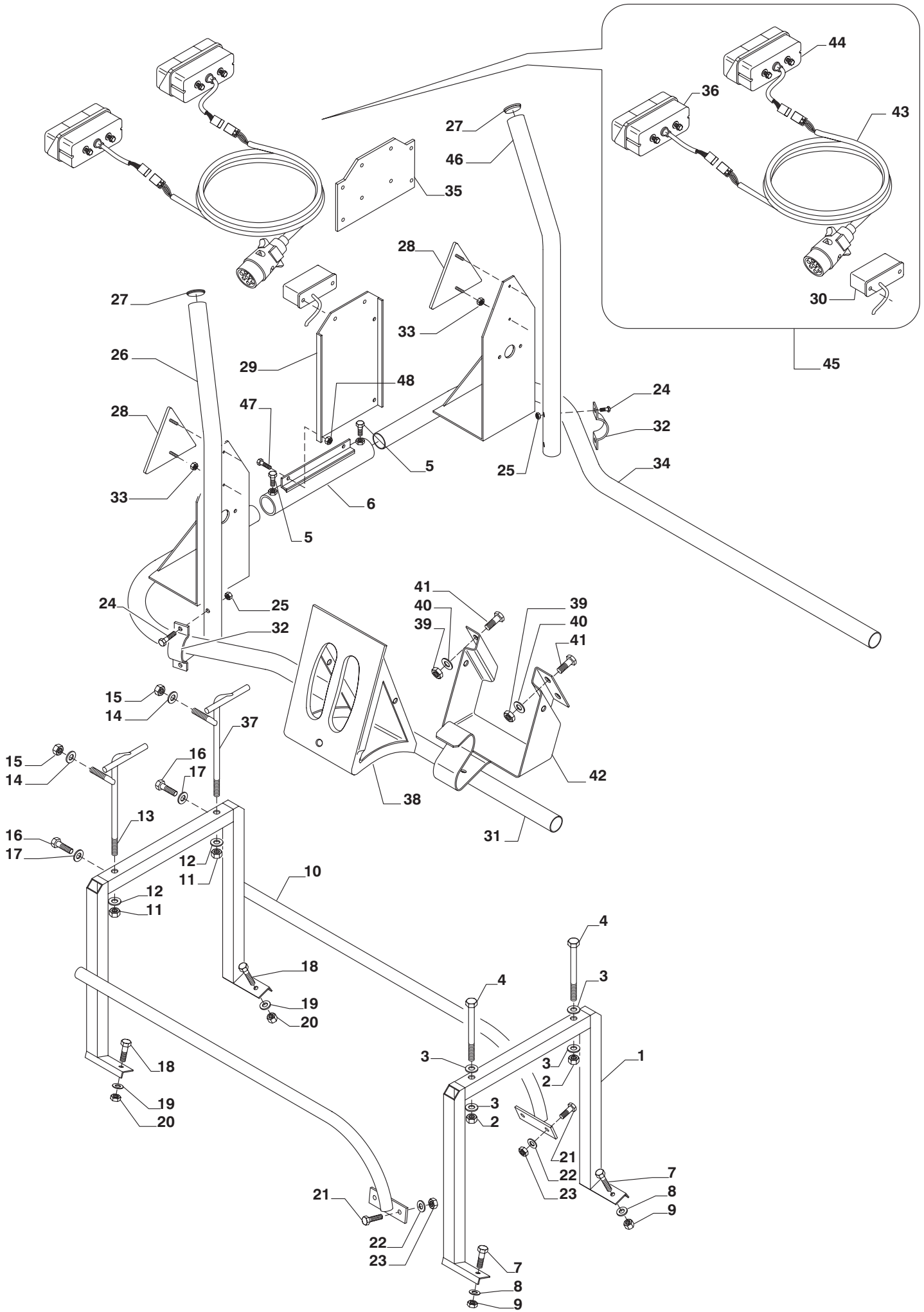


MOD: ATF-ATP2000

POLYETHYLENE TANK

TAV. 12-02  
19 SEPT 2003

REF.	PART NR.	Q.TY	DESCRIPTION
1	0101525	1	FRONT SUPPORT ATD-ATP2000
2	1800191	2	SELF LCK NUT M 12
3	0100685	2	WASHER D. 13X36X4
4	0101547	2	T BOLT TE M 12 1500-2000
7	1800249	4	BOLT TE M 10X30
8	1800130	4	WASHER D. 10.5X21
9	1800186	4	SELF LCK NUT M 10
10	0101530	1	SUPPORT TANK ATD-ATP2000
11	1800191	2	SELF LCK NUT M 12
12	0100685	2	WASHER D. 13X35X4
13	0101545	2	T BOLT RH M12 2000
14	1800130	2	WASHER 10.5X21
15	1800186	2	SELF LCK NUT M 10
16	1800249	2	BOLT TE M 10X30
17	1800130	2	WASHER D. 10.5X21
18	1800249	4	BOLT TE M 10X30
19	1800130	4	WASHER D. 10.5X21
20	1800186	4	SELF LCK NUT M 10
21	1800249	4	BOLT TE M 10X30
22	1800130	4	WASHER D. 10.5X21
23	1800186	4	SELF LCK NUT M 10
37	0101546	1	T BOLT LH M12 2000





MOD: ATF-ATP600

POLYETHYLENE TANK

TAV. 11-02  
8 SEPT 2003

REF.	PART NR.	Q.TY	DESCRIPTION
1	0101521	1	FRONT SUPPORT ATD-ATP600
2	1800191	2	SELF LCK NUT M 12
3	0100685	2	WASHER D. 13x35x4
4	1800088	2	BOLT TE M 12x120
5	1800085	2	BOLT TE M 12x25
6	0101506	1	CENTRAL REAR SUPPORT
7	1800249	4	BOLT TE M 10x30
8	1800130	4	WASHER D. 10.5x21
9	1800186	4	SELF LCK NUT M 10
10	0101526	1	SUPPORT TANK ATD-ATP600
11	1800191	2	SELF LCK NUT M 12
12	0100685	2	WASHER D. 13x35x4
13	0101547	2	T BOLT RH M12 600
14	1800130	2	WASHER 10.5x21
15	1800186	2	SELF LCK NUT M 10
16	1800249	2	BOLT TE M 10x30
17	1800130	2	WASHER D. 10.5x21
18	1800249	4	BOLT TE M 10x30
19	1800130	4	WASHER D. 10.5x21
20	1800186	4	SELF LCK NUT M 10
21	1800249	4	BOLT TE M 10x30
22	1800130	4	WASHER D. 10.5x21
23	1800186	4	SELF LCK NUT M 10
24	1800044	4	BOLT TE M 10x50
25	1800185	4	NUT M 10
26	0100939	1	RH PROTECTION TUBE
27	1400302	2	PLUG INTERNAL D.30E
28	2100149	2	TRIANGLE LIGHT
29	0101535	1	SUPPORT LIGHT
30	2100126	1	LIGHT
31	0101532	1	RH REAR BUMPER NTA-AT600/800/1000
31	0101557	1	RH REAR BUMPER NTA-AT1500/2000
31	0101507	1	RH REAR BUMPER ATP-EX
31	0101531	1	RH REAR BUMPER NTF600/800/1000/1500/2000P
32	0100066	2	CLAMP 50
33	1800177	4	NUT M 5
34	0101534	1	LH REAR BUMPER NTA-AT600/800/1000
34	0101558	1	LH REAR BUMPER NTA-AT1500/2000
34	0101508	1	LH REAR BUMPER ATP-EX
34	0101533	1	LH REAR BUMPER NTF600/800/1000/1500/2000P
35	0101536	1	LIGHT ADAPTOR
36	2100145	1	RH LIGHT
37	0101538	1	T BOLT LH M12 600
38	2100125	2	STOP WHEELS
39	1800180	4	NUT M 8
40	1800120	4	WASHER D. 8.4x17



MOD: ATF-ATP600

POLYETHYLENE TANK

TAV. 11-02  
8 SEPT 2003

REF.	PART NR.	Q.TY	DESCRIPTION
41	1800128	4	BOLT TPS M 8x16
42	2100133	2	SUPPORT STOP WHEELS
43	2100148	1	CABLES OF REAR LIGHT
44	2100146	1	LH LIGHT
45	2100134	1	COMPLETE REAR LIGHT KIT FOR ROAD TRAVEL
46	0101556	1	LH PROTECTION TUBE
47	1800279	2	BOLT TE M 6x16
48	1800179	2	NUT M6



MOD: ATF-ATP800

POLYETHYLENE TANK

TAV. 11-02  
8 SEPT 2003

REF.	PART NR.	Q.TY	DESCRIPTION
1	0101522	1	FRONT SUPPORT ATD-ATP800
2	1800194	2	SELF LCK NUT M 14
3	0100685	4	WASHER D. 14X36X4
4	1800448	2	BOLT TE M 14X140
5	1800085	2	BOLT TE M 12X25
6	0101506	1	CENTRAL REAR SUPPORT
7	1800249	4	BOLT TE M 10X30
8	1800130	4	WASHER D. 10.5X21
9	1800186	4	SELF LCK NUT M 10
10	0101527	1	SUPPORT TANK ATD-ATP800
11	1800191	2	SELF LCK NUT M 12
12	0100685	2	WASHER D. 13X35X4
13	0101539	2	T BOLT RH M12 800
14	1800130	2	WASHER 10.5X21
15	1800186	2	SELF LCK NUT M 10
16	1800249	2	BOLT TE M 10X30
17	1800130	2	WASHER D. 10.5X21
18	1800249	4	BOLT TE M 10X30
19	1800130	4	WASHER D. 10.5X21
20	1800186	4	SELF LCK NUT M 10
21	1800249	4	BOLT TE M 10X30
22	1800130	4	WASHER D. 10.5X21
23	1800186	4	SELF LCK NUT M 10
24	1800044	4	BOLT TE M 10X50
25	1800185	4	NUT M 10
26	0100939	1	PROTECTION TUBE
27	1400302	2	PLUG INTERNAL D.30E
28	2100149	2	TRIANGLE LIGHT
29	0101535	1	SUPPORT LIGHT
30	2100126	1	LIGHT
31	0101532	1	RH REAR BUMPER ATP-ATD600-800-1000
31	0101557	1	RH REAR BUMPER ATP-ATD1500-2000
31	0101557	1	RH REAR BUMPER NTA600-800-1000-1500-2000P
31	0101531	1	RH REAR BUMPER NTF600-800-1000-1500-2000P
32	0100066	2	CLAMP 50
33	1800177	4	NUT M 5
34	0101534	1	LH REAR BUMPER ATP-ATD600-800-1000
34	0101558	1	LH REAR BUMPER ATP-ATD1500-2000
34	0101558	1	LH REAR BUMPER NTA600-800-1000-1500-2000P
34	0101533	1	LH REAR BUMPER NTF600-800-1000-1500-2000P
35	0101536	1	LIGHT ADAPTOR
36	2100145	1	RH LIGHT
37	0101540	1	T BOLT LH M12 800
38	2100125	2	STOP WHEELS
39	1800180	4	NUT M 8



MOD: ATF-ATP800

POLYETHYLENE TANK

TAV. 11-02  
DTD 8 SEPT 2003

REF.	PART NR.	Q.TY	DESCRIPTION
40	1800120	4	WASHER D. 8.4X17
41	1800128	4	BOLT TPS M 8X16
42	2100133	2	SUPPORT STOP WHEELS
43	2100148	1	CABLES OF REAR LIGHT
44	2100146	1	LH LIGHT
45	2100134	1	COMPLETE REAR LIGHT KIT FOR ROAD TRAVEL
46	0101556	1	LH PROTECTION TUBE
47	1800279	2	BOLT TE M 6x16
48	1800179	2	NUT M 6



MOD: ATF-ATP1000

POLYETHYLENE TANK

TAV. 11-02  
8 SEPT 2003

REF.	PART NR.	Q.TY	DESCRIPTION
1	0101523	1	FRONT SUPPORT ATD-ATP1000
2	1800194	2	SELF LCK NUT M 14
3	0100685	4	WASHER D. 14X36X4
4	1800448	2	BOLT TE M 14X140
5	1800085	2	BOLT TE M 12X25
6	0101506	1	CENTRAL REAR SUPPORT
7	1800249	4	BOLT TE M 10X30
8	1800130	4	WASHER D. 10.5X21
9	1800186	4	SELF LCK NUT M 10
10	0101528	1	SUPPORT TANK ATD-ATP1000
11	1800191	2	SELF LCK NUT M 12
12	0100685	2	WASHER D. 13X35X4
13	0101541	2	T BOLT RH M12 1000
14	1800130	2	WASHER 10.5X21
15	1800186	2	SELF LCK NUT M 10
16	1800249	2	BOLT TE M 10X30
17	1800130	2	WASHER D. 10.5X21
18	1800249	4	BOLT TE M 10X30
19	1800130	4	WASHER D. 10.5X21
20	1800186	4	SELF LCK NUT M 10
21	1800249	4	BOLT TE M 10X30
22	1800130	4	WASHER D. 10.5X21
23	1800186	4	SELF LCK NUT M 10
24	1800044	4	BOLT TE M 10X50
25	1800185	4	NUT M 10
26	0100939	1	PROTECTION TUBE
27	1400302	2	PLUG INTERNAL D.30E
28	2100102	2	TRIANGLE LIGHT
29	0101535	1	SUPPORT LIGHT
30	2100126	1	LIGHT
31	0101532	1	RH REAR BUMPER ATP-ATD600-800-1000
31	0101557	1	RH REAR BUMPER ATP-ATD1500-2000
31	0101557	1	RH REAR BUMPER NTA600-800-1000-1500-2000P
31	0101531	1	RH REAR BUMPER NTF600-800-1000-1500-2000P
32	0100066	2	CLAMP 50
33	1800177	4	NUT M 5
34	0101534	1	LH REAR BUMPER ATP-ATD600-800-1000
34	0101558	1	LH REAR BUMPER ATP-ATD1500-2000
34	0101558	1	LH REAR BUMPER NTA600-800-1000-1500-2000P
34	0101533	1	LH REAR BUMPER NTF600-800-1000-1500-2000P
35	0101536	1	LIGHT ADAPTOR
36	2100145	1	RH LIGHT
37	0101542	1	T BOLT LH M12 1000
38	2100125	2	STOP WHEELS
39	1800180	4	NUT M 8



MOD: ATF-ATP1000

POLYETHYLENE TANK

TAV. 11-02  
DTD 8 SEPT 2003

REF.	PART NR.	Q.TY	DESCRIPTION
40	1800120	4	WASHER D. 8.4X17
41	1800128	4	BOLT TPS M 8X16
42	2100133	2	SUPPORT STOP WHEELS
43	2100148	1	CABLES OF REAR LIGHT
44	2100146	1	LH LIGHT
45	2100134	1	COMPLETE REAR LIGHT KIT FOR ROAD TRAVEL
46	0101556	1	LH PROTECTION TUBE
47	1800279	2	BOLT TE M 6x16
48	1800179	2	NUT M 6



MOD: ATF-ATP1500

POLYETHYLENE TANK

TAV. 11-02  
8 SEPT 2003

REF.	PART NR.	Q.TY	DESCRIPTION
1	0101524	1	FRONT SUPPORT ATD-ATP1500
2	1800191	2	SELF LCK NUT M 12
3	0100685	2	WASHER D. 13X36X4
4	0101547	2	T BOLT TE M 12 1500-2000
5	1800085	2	BOLT TE M 12X25
6	0101506	1	CENTRAL REAR SUPPORT
7	1800249	4	BOLT TE M 10X30
8	1800130	4	WASHER D. 10.5X21
9	1800186	4	SELF LCK NUT M 10
10	0101529	1	SUPPORT TANK ATD-ATP1500
11	1800191	2	SELF LCK NUT M 12
12	0100685	2	WASHER D. 13X35X4
13	0101543	2	T BOLT RH M12 1500
14	1800130	2	WASHER 10.5X21
15	1800186	2	SELF LCK NUT M 10
16	1800249	2	BOLT TE M 10X30
17	1800130	2	WASHER D. 10.5X21
18	1800249	4	BOLT TE M 10X30
19	1800130	4	WASHER D. 10.5X21
20	1800186	4	SELF LCK NUT M 10
21	1800249	4	BOLT TE M 10X30
22	1800130	4	WASHER D. 10.5X21
23	1800186	4	SELF LCK NUT M 10
24	1800044	4	BOLT TE M 10X50
25	1800185	4	NUT M 10
26	0100939	1	PROTECTION TUBE
27	1400302	2	PLUG INTERNAL D.30E
28	2100149	2	TRIANGLE LIGHT
29	0101535	1	SUPPORT LIGHT
30	2100126	1	LIGHT
31	0101532	1	RH REAR BUMPER ATP-ATD600-800-1000
31	0101557	1	RH REAR BUMPER ATP-ATD1500-2000
31	0101557	1	RH REAR BUMPER NTA600-800-1000-1500-2000P
31	0101531	1	RH REAR BUMPER NTF600-800-1000-1500-2000P
32	0100066	2	CLAMP 50
33	1800177	4	NUT M 5
34	0101534	1	LH REAR BUMPER ATP-ATD600-800-1000
34	0101558	1	LH REAR BUMPER ATP-ATD1500-2000
34	0101558	1	LH REAR BUMPER NTA600-800-1000-1500-2000P
34	0101533	1	LH REAR BUMPER NTF600-800-1000-1500-2000P
35	0101536	1	LIGHT ADAPTOR
36	2100145	1	RH LIGHT
37	0101544	1	T BOLT LH M12 1500
38	2100125	2	STOP WHEELS
39	1800180	4	NUT M 8



MOD: ATF-ATP1500

POLYETHYLENE TANK

TAV. 11-02  
8 SEPT 2003

REF.	PART NR.	Q.TY	DESCRIPTION
40	1800120	4	WASHER D. 8.4X17
41	1800128	4	BOLT TPS M 8X16
42	2100133	2	SUPPORT STOP WHEELS
43	2100148	1	CABLES OF REAR LIGHT
44	2100146	1	LH LIGHT
45	2100134	1	COMPLETE REAR LIGHT KIT FOR ROAD TRAVEL
46	0101556	1	LH PROTECTION TUBE
47	1800279	2	BOLT TE M 6x16
48	1800179	2	NUT M 6



MOD: ATF-ATP2000

POLYETHYLENE TANK

TAV. 11-02  
8 SEPT 2003

REF.	PART NR.	Q.TY	DESCRIPTION
1	0101525	1	FRONT SUPPORT ATD-ATP2000
2	1800191	2	SELF LCK NUT M 12
3	0100685	2	WASHER D. 13X36X4
4	0101547	2	T BOLT TE M 12 1500-2000
5	1800085	2	BOLT TE M 12X25
6	0101506	1	CENTRAL REAR SUPPORT
7	1800249	4	BOLT TE M 10X30
8	1800130	4	WASHER D. 10.5X21
9	1800186	4	SELF LCK NUT M 10
10	0101530	1	SUPPORT TANK ATD-ATP2000
11	1800191	2	SELF LCK NUT M 12
12	0100685	2	WASHER D. 13X35X4
13	0101545	2	T BOLT RH M12 2000
14	1800130	2	WASHER 10.5X21
15	1800186	2	SELF LCK NUT M 10
16	1800249	2	BOLT TE M 10X30
17	1800130	2	WASHER D. 10.5X21
18	1800249	4	BOLT TE M 10X30
19	1800130	4	WASHER D. 10.5X21
20	1800186	4	SELF LCK NUT M 10
21	1800249	4	BOLT TE M 10X30
22	1800130	4	WASHER D. 10.5X21
23	1800186	4	SELF LCK NUT M 10
24	1800044	4	BOLT TE M 10X50
25	1800185	4	NUT M 10
26	0100939	1	PROTECTION TUBE
27	1400302	2	PLUG INTERNAL D.30E
28	2100149	2	TRIANGLE LIGHT
29	0101535	1	SUPPORT LIGHT
30	2100126	1	LIGHT
31	0101532	1	RH REAR BUMPER ATP-ATD600-800-1000
31	0101557	1	RH REAR BUMPER ATP-ATD1500-2000
31	0101557	1	RH REAR BUMPER NTA600-800-1000-1500-2000P
31	0101531	1	RH REAR BUMPER NTF600-800-1000-1500-2000P
32	0100066	2	CLAMP 50
33	1800177	4	NUT M 5
34	0101534	1	LH REAR BUMPER ATP-ATD600-800-1000
34	0101558	1	LH REAR BUMPER ATP-ATD1500-2000
34	0101558	1	LH REAR BUMPER NTA600-800-1000-1500-2000P
34	0101533	1	LH REAR BUMPER NTF600-800-1000-1500-2000P
35	0101536	1	LIGHT ADAPTOR
36	2100145	1	RH LIGHT
37	0101546	1	T BOLT LH M12 2000
38	2100125	2	STOP WHEELS
39	1800180	4	NUT M 8



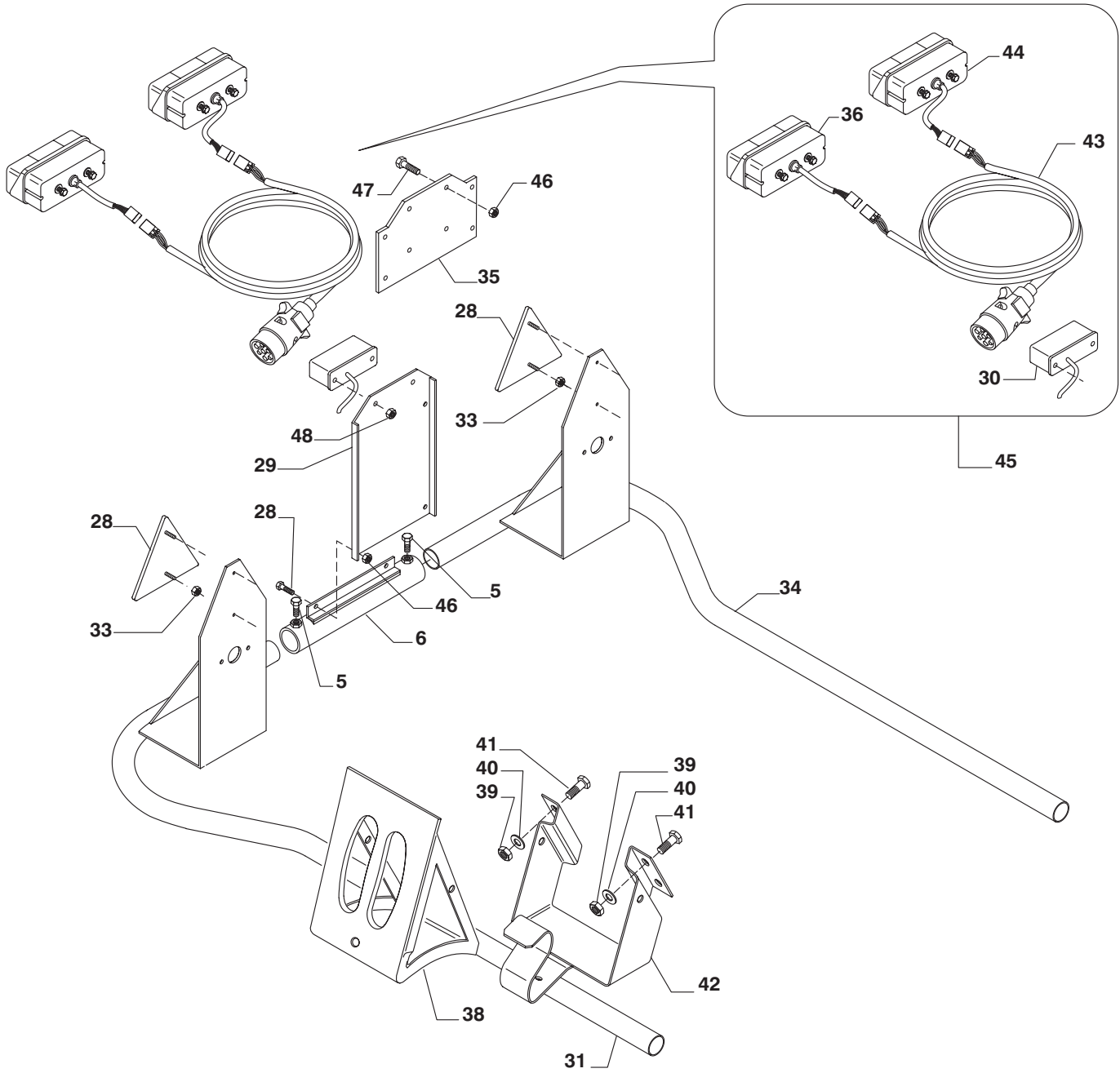
MOD: ATF-ATP2000

POLYETHYLENE TANK

TAV. 11-02  
8 SEPT 2003

REF.	PART NR.	Q.TY	DESCRIPTION
40	1800120	4	WASHER D. 8.4X17
41	1800128	4	BOLT TPS M 8X16
42	2100133	2	SUPPORT STOP WHEELS
43	2100148	1	CABLES OF REAR LIGHT
44	2100146	1	LH LIGHT
45	2100134	1	COMPLETE REAR LIGHT KIT FOR ROAD TRAVEL
46	0101556	1	LH PROTECTION TUBE
47	1800279	2	BOLT TE M 6x16
48	1800179	2	NUT M6







MOD: ATF-ATP

TAV. 27-03  
8 SEPT 2003

REF.	PART NR.	Q.TY	DESCRIPTION
5	1800085	2	BOLT TE M 12X25
6	0101506	1	CENTRAL REAR SUPPORT
28	1800270	2	BOLT TE M 6x20
29	0101535	1	SUPPORT LIGHT
30	2100126	1	LIGHT
31	0101532	1	RH REAR BUMPER ATF600-800-1000
31	0101557	1	RH REAR BUMPER ATF1500-2000
31	0101557	1	RH REAR BUMPER NTA600-800-1000-1500-2000
31	0101531	1	RH REAR BUMPER NTF600-800-1000-1500-2000
33	1800177	4	NUT M 5
34	0101534	1	LH REAR BUMPER ATF600-800-1000
34	0101558	1	LH REAR BUMPER ATF1500-2000
34	0101558	1	LH REAR BUMPER NTA600-800-1000-1500-2000
34	0101533	1	LH REAR BUMPER NTF600-800-1000-1500-2000
35	0101536	1	LIGHT ADAPTOR
36	2100145	1	RH LIGHT
38	2100125	2	STOP WHEELS
39	1800180	4	NUT M 8
40	1800120	4	WASHER D. 8.4X17
41	1800128	4	BOLT TPS M 8X16
42	2100133	2	SUPPORT STOP WHEELS
43	2100148	1	CABLES OF REAR LIGHT
44	2100146	1	LH LIGHT
45	2100134	1	COMPLETE REAR LIGHT KIT FOR ROAD TRAVEL
46	1800179	2	NUT M 6
47	1800435	4	BOLT TPSEI M 6x16
48	1800314	1	NUT M 5





MOD : ATF-ATP1000-1500-2000

PART NR 1400196 FILTER 314

TAV. 25-03  
22 SEPT 2003

REF.	PART NR.	Q.TY	DESCRIPTION
1	1400007	2	CHAIN D. 3.5 L=300
2	1400205	1	PLUG
3	1700051	4	OR VITON DIA. 31.0x2.5
4	1400089	1	RING NUT
5	1400323	1	COVER
6	1400029	1	STRAINER
7	1400209	1	OR D. 5.34x91.44x102.1
8	1400090	1	BODY FILTER
9	0200142	4	RING OR 3,0x25
10	1400092	1	STRAIG CONNECTOR D.40
11	1400038	2	RING NUT 1" 1/2
12	1500014	4	CLAMP PERFECT 40x64
13	1600686	1	TUBO EMILIA/10 40x54 IL MT.
14	1400025	1	CONNECTOR D.40
15	1700009	4	OR D.48.15x37.47x5.34
16	1400011	1	NIPPLO 1" 1/4
17	0200142	4	RING OR 3,0x25
18	1400034	1	ELBOW CONNECTOR D.40
19	1400038	2	RING NUT 1"1/2
20	1500014	4	CLAMP PERFECT 40x64
21	1600200	1	TUBO SCRIVIA/10 40X51 IL MT.
22	1400196	1	COMPLETE FILTER 314 WITH VALVE
23	1800120	3	WASHER D.8
24	1800021	3	BOLT TE M 8X12
25	1400054	2	ELBOW CONNECTOR
26	1700015	1	GASKET 57,5x40x3
27	1400054	2	ELBOW CONNECTOR
28	0101555	1	NIPPLO 1"1/4 LE=72mm
29	1700052	2	DIA. 71,1X2,6
30	2100153	1	SUPPORT CHAIN "S"



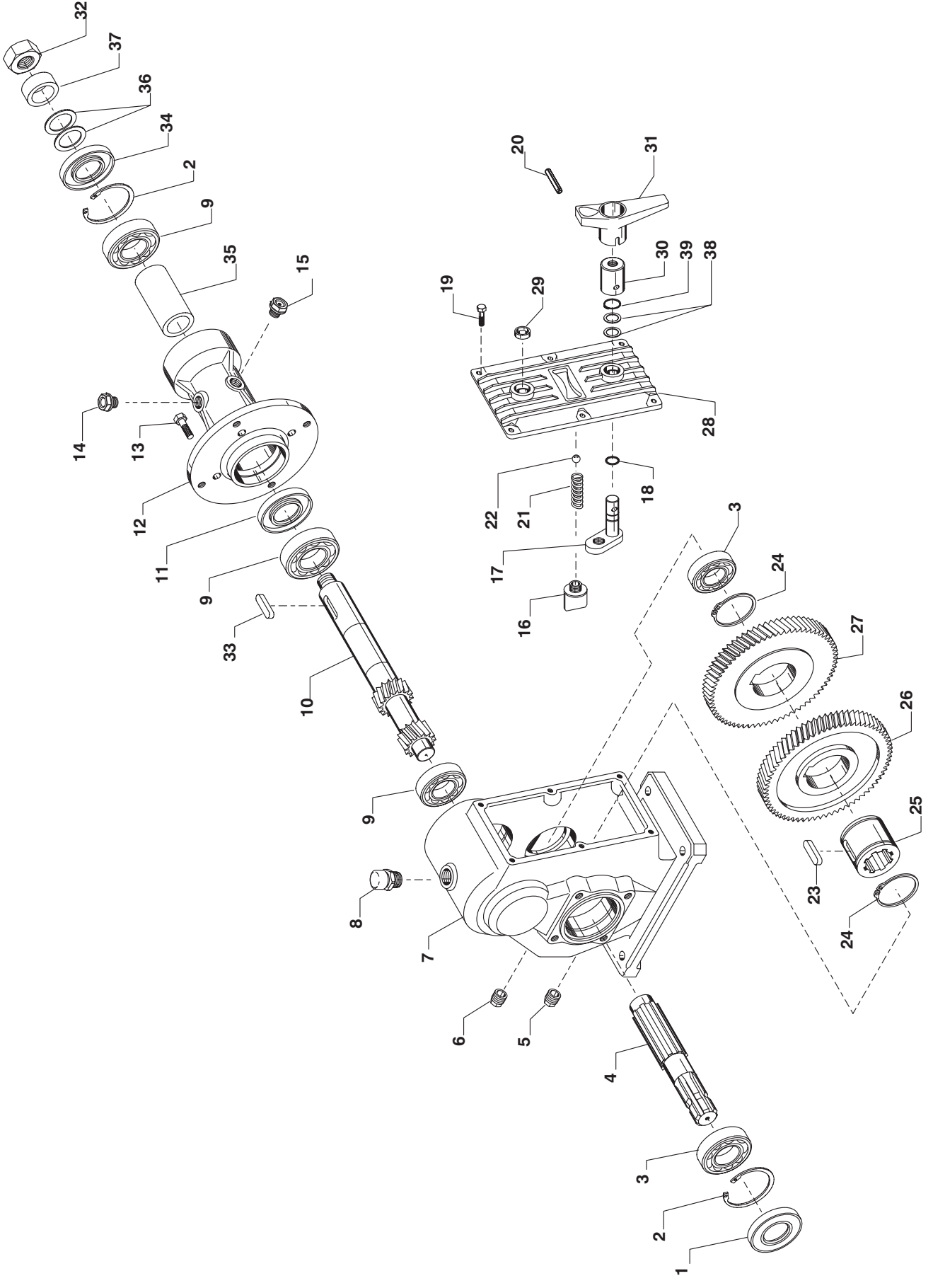
MOD : ATF-ATP1000-1500-2000

PART NR 1400215 FILTER 316

TAV. 25-03  
22 SEPT 2003

REF.	PART NR.	Q.TY	DESCRIPTION
1	1400007	2	CHAIN D. 3.5 L=300
2	1400243	1	PLUG
3	1400242	4	OR D. 44.75X37.69X3.53
4	1400058	1	RING NUT
5	1400244	1	COVER
6	1400060	1	STRAINER
7	1700030	1	OR D. 140X126.4X7
8	1400245	1	BODY FILTER
9	1700004	4	OR D. 44.75X37.69X3.53
10	1400238	1	CONNECTOR D. 50
11	1400041	2	RING NUT 2"
12	1500015	2	STRAP RING 55X70
13	1600576	1	HOSE ARMOVIN D. 50 L=1140
14	1400116	1	RING NUT 2"
15	1700035	1	GASKET 85X59X4
16	1400189	1	CURVE CONNECTOR M 50X2"
17	1700004	4	OR D. 44.75X37.69X3.53
18	1400189	1	CURVE CONNECTOR M 50X2"
19	1400041	2	RING NUT 2"
20	1500015	2	STRAP RING 55X70
21	1600576	1	HOSE ARMOVIN D. 50 L=1140
22	1400215	1	COMPLETE FILTER 316 WITH VALVE
23	1800120	3	WASHER D.8.4X17
24	1800021	3	BOLT TE M 8X12
25	1400054	2	ELBOW CONNECTOR
26	1700015	1	GASKET 57,5x40x3
27	1400054	2	ELBOW CONNECTOR
28	0101555	1	NIPPLO 1"1/4 LE=72mm
29	AG11046	2	OR
30	2100153	1	SUPPORT CHAIN "S"







**GEARBOX M47 CS**  
**1:3,6-1:4,6**

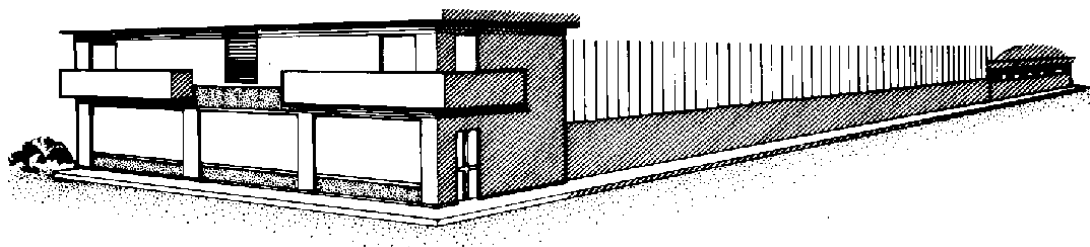
TAV. 24-04  
22 FEB 2005

PART NR.0300193

REF.	PART NR.	Q.TY	DESCRIPTION
1	BI8050.390.000	1	OIL SEAL
2	BI8025.545.000	2	CIRCLIP
3	BI8200.241.000	2	BEARING
4	BI2023.004.542	1	SHAFT
5	BI8600.194.000	1	OIL PLUG
6	BI8625.181.000	1	OIL PLUG
7	BI2023.134.101	1	HOUSING
8	BI8600.184.000	1	OIL PLUG
9	BI8200.240.000	3	BEARING
10	BI2023.043.542	1	SHAFT
11	BI8050.520.000	1	OIL SEAL
12	BI2023.135.301	1	EXTENSION
13	BI8675.280.080	4	SCREW
14	BI8600.136.000	1	OIL PLUG
15	BI8625.136.000	1	OIL PLUG
16	BI2022.009.042	1	PAD
17	BI2022.202.098	1	LEVER
18	BI8075.115.000	1	OIL SEAL
19	BI8675.066.080	6	SCREW
20	BI8575.289.000	1	PIN
21	BI8375.150.000	1	SPRING
22	BI8525.200.000	1	BALL
23	BI8125.473.000	1	KEY
24	BI8025.476.000	2	CIRCLIP
25	BI2023.005.076	1	SLEEVE
26	BI2023.011.426	1	GEAR
27	BI2023.012.426	1	GEAR
28	BI2023.002.209	1	COVER
29	BI8600.168.000	1	CAP
30	BI2022.007.042	1	HUB
31	BI2022.005.032	1	HANDLE
32	BI8225.545.000	1	NUT
33	BI8125.318.000	1	KEY
34	BI8050.524.000	1	OIL SEAL
35	BI2023.051.676	1	SLEEVE
36	BI2022.014.676	2	SLEEVE
37	BI2023.226.676	1	SLEEVE
38	BI8550.240.000	2	SLEEVE
39	BI8025.162.000	1	CIRCLIP



# CARRAROSPRAY



**O.C.L.L. SRL**

Via Cornara, 40 - 35010 Villanova (PD) -Italy-  
Tel. (++39) 049.922.00.72 r.a. Telefax (++39) 049.922.09.51

E-mail: [ocll@carrarospray.it](mailto:ocll@carrarospray.it)

<http://www.carrarospray.it>