




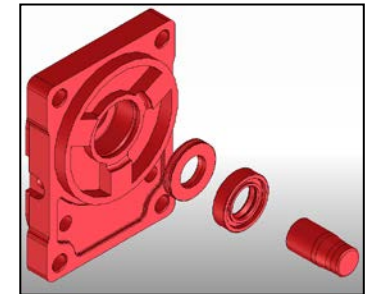
# Technical Service Information

# TS-I 15-0169

<b>Category</b>	 <b>General information</b>  <b>Modification</b>  <b>Software</b>	
<b>Brand</b>	Kverneland Vicon	
<b>Model</b>	u-drill 3-4m, u-drill 3-4m PLUS u-drill 6m, u-drill 6m PLUS ts-drill, i-drill / s-drill PRO / Airsem XTE DF1/DF2& FT1/FT2 Hopper	
<b>Code</b>	Seed drill combination Seed drill Mounted seed drills	
<b>Subject</b>	KvG TSI_15-0169 seal kits improvement - hydr fan motors of seed drills	
<b>Machine ID</b>	≥ ACPNDxx65489 ≥ WK6SC1UC1JDP00101	
<b>Part Number</b>	A156035530 Flange seal kit Brevini P2 – 6ccm A156035830 Flange seal kit Brevini B2 – 6ccm A156035830 Flange seal kit Brevini B2 – 8ccm A156035830 Flange seal kit Brevini B2 – 11ccm	
<b>Additional Information</b>	Available in Metz	
<b>Available from</b>	January 2019	

ko\_wpa/kko 07.01.2019

## Brevini hydr. motors seal kit



**Dear Sales partner**  
**Dear Service partner,**

This information sheet serves to provide you with facts about the latest technical developments and allows you to react quickly to the market.

If required, this TSI will be followed by an additional assembly instruction.

Please visit [www.kvernelandgroup.com](http://www.kvernelandgroup.com) and check the Kverneland Download Center for supplementary information.

If you have further questions or need assistance, do not hesitate to contact your responsible Sales Company or Importer. We will always provide you with the best support and newest information for your daily business, for our aim is your customer's satisfaction.

Thank you for your co-operation.

### KVG Technical Service Soest

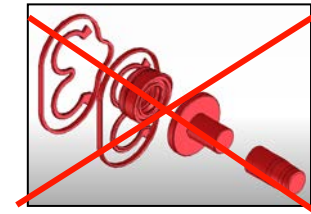
Agreement labor [h]	Refunding rates		
—	—	—	—
—	—	—	—

## Improved seal kits from our supplier – hydr. motors for seed drills

Our supplier for the hydraulic motors for our seed drill and seed drill combinations has informed us during our yearly meeting in November 2018, that they have developed a new seal kit version for their products.

With the new design they have increased the back pressure resistance of the seal and it is for the dealer in case of a leakage very easy to replace.

You have to replace instead of the seals only the cpl. hydr. flange with the pre-assembled seal kit.



Existing seal kit  
**A139190978**

We have replaced all existing A139190978 seals kits in our central warehouse by following part numbers:

A156035530 Flange seal kit Brevini **P2 – 6ccm** and A156035830 Flange seal kit Brevini **B2 – 6ccm / 8ccm / 11ccm**

A156035830 Flange seal kit Brevini **B2 – 6ccm** is qualified for

A139274078 **6ccm** Brevini OT200 M06 D/G28P2-2VA-PF-SP used for the products: u-drill 3-4m, ts-drill, e-drill

A156035830 Flange seal kit Brevini **B2 – 6ccm / 8ccm / 11ccm** is qualified for

**1. A139174478 – 6ccm** Brevini PS2004002D/ OT200M06D used for products: e-drill and u-drill 3 & 4 m

**2. A139174578 – 8ccm** Brevini PS2004142D / OT200M08D used for the products: u-drill 3-4m PLUS, ts-drill, i-drill / s-drill PRO, DF1 / DF2 hoppers

**3. A139286878 – 11ccm** Brevini PS2004143D / OT200M11D used for the products: u-drill 6m PLUS



## New seal kits for hydr. motors of seed drills

### New versions of seal kits

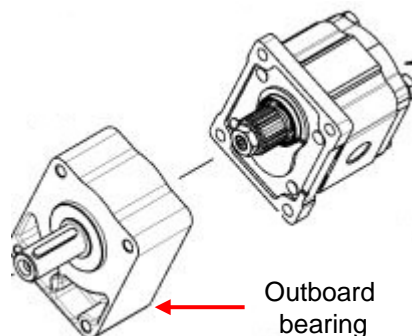
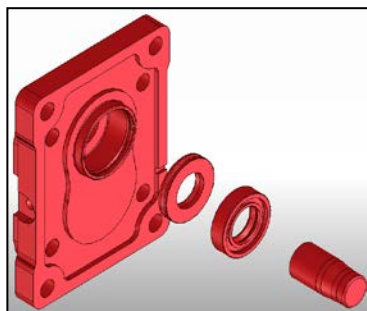
#### A156035530

Seal kit with flange for hydraulic fan motor A139274078 Brevini P2-SP

This motor is used on machines:

u-drill 3-4m and e-drill

On this motor is mounted an additional outboard bearing



#### A156035830

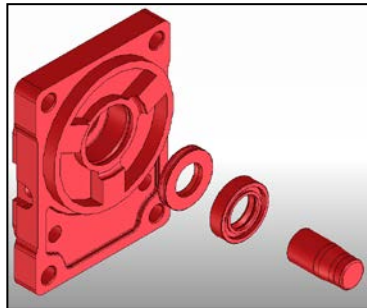
Seal kit with flange for hydraulic fan motors Brevini B2:

A139174478 – u-drill 3-4m / u-drill 6m / ts-drill

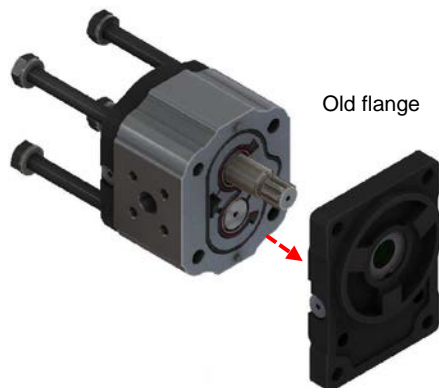
A139174578 – u-drill 3-4m PLUS / i-drill PRO / s-drill PRO / DF1 / DF2

Hoppers

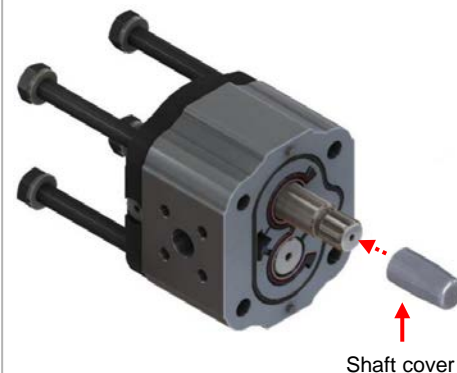
A139286878 – u-drill 6m PLUS



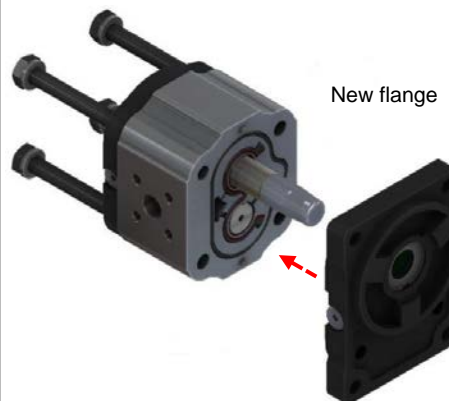
### 1. Unscrew four bolts and remove old flange



### 2. Insert shaft cover



### 3. Insert carefully new flange



### 4. Tighten screws

Torque  $45 \pm 2$  Nm

